

This Owner's Manual is provided and hosted by [Appliance Factory Parts](#).



Coleman 9830-330 Owner's Manual

[Shop genuine replacement parts for Coleman 9830-330](#)



[Find Your Coleman Camping Parts - Select From 855 Models](#)

----- Manual continues below -----



exponent™

Heka X2

part number 9830-330

POLE ASSEMBLY PARTS

Main Tent Pole (red)

Part No. 9830-1441

Front Crossover Pole (silver)

Part No. 9830-1141

Back Crossover Pole (gold)

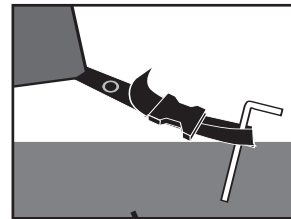
Part No. 9830-1241

Rainfly Part No. 9830-1341

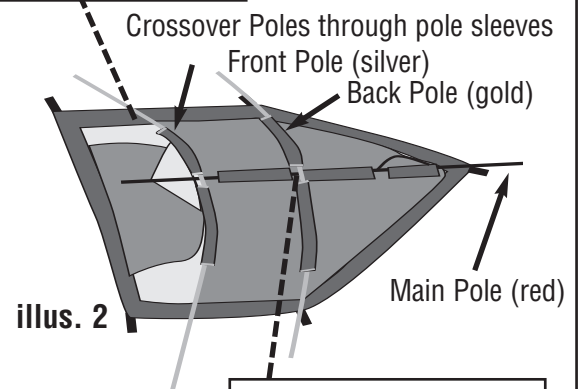
Removable Vestibule Part No. 9850-3071

1 Layout & Positioning of Tent, Pole Assembly

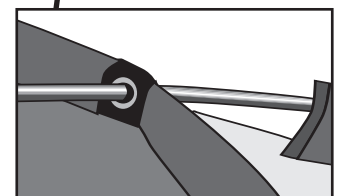
- Layout and position tent with door facing desired direction. (illus. 2)
- For best results in windy conditions, position door or back of tent into the wind.
- Stake down tent corners. Keep the floor taut. Unzip door. (illus. 1, illus. 2)
- Assemble Frame Poles by interlocking the shock-corded sections. This will make one long Main Pole and two shorter Crossover Poles.
- Insert the Main Pole (Red) through the pole sleeves and through the grommet going from the back of the tent to the front of the vestibule webbing strap. (illus. 2, illus. 3)
- Insert the silver Crossover Pole in the front set of pole sleeves going side to side. (illus. 2)
- Insert the gold Crossover Pole in the back set of pole sleeves going side to side. (illus. 2)



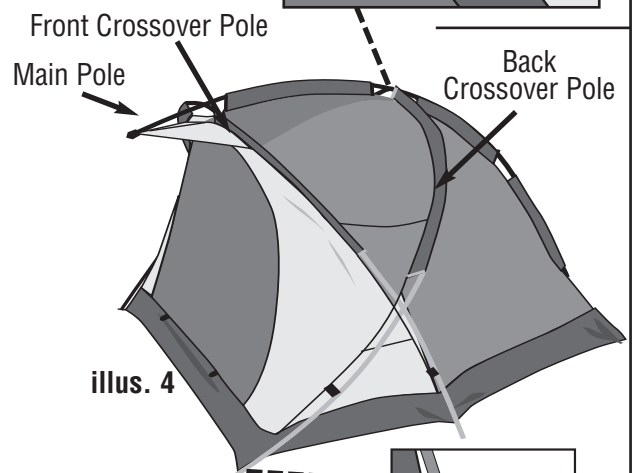
illus. 1
Tent stake through Loop



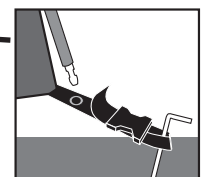
illus. 2



illus. 3
Long pole through grommet



illus. 4



illus. 5
Insert Pole Tip into grommet

2 Connect Frame to Tent

- Insert Pole Tip of Main Tent pole into the grommet on the webbing at the back of the tent (illus. 5).
- Go to opposite end of the Main Pole and gradually apply pressure to the pole, forming an arch, until you are able to insert the pole tip into the pole pocket at the point of the pole flap. (illus. 4, illus. 5)
- Insert the Crossover Pole into the grommet on the webbing located on the side of the tent. The front pole goes toward the back. The back pole angles toward the front. The Crossover Poles will cross on each side. (illus. 4, illus. 5)

3 Attach Tent to Frame Using Frame Clips

- Attach remaining frame clips along the side of tent and webbing to frame poles (illus. 6), (illus. 7)
- Make any adjustments to the tent corner stakes that are needed.

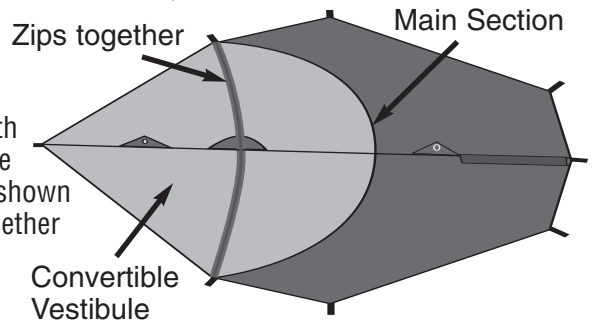


illus. 6
Frame Clips

illus. 7
Assembled tent without Rainfly. Note the frame clips located on edge of tent.

4 Attach Rainfly with Convertible Vestibule

- Drape Rainfly main section or zipped 2 sections over tent frame. Curved door goes in front.
- Secure Rainfly with Frame Ties located on underside of fly.
- Connect the clips (found at the Rainfly points) to the clips located at the points of the tent. (illus. 9)
- Insert the Main Pole end over the door into the pole pocket on the underside of the main section of the Rainfly.(illus. 11)
- Convertible vestibule section can be zipped on or removed as desired. When attaching also toggle it to the main section for added stability.
- Attach Guy Lines and stake out. (illus.11)



illus. 8
Rainfly with Convertible Vestibule shown zipped together



illus. 10
Completed tent and Rainfly with Convertible Vestibule.

illus. 9
Rainfly clips onto pole stake loop

illus. 11
Completed tent with Convertible Vestibule removed.

Things You Should Know

- Under certain conditions (cold weather, high humidity, etc.) condensation will form on the inside surfaces of your tent. Condensation is caused by water vapor from your breath, perspiration, or any wet clothing inside your tent. It is NOT LEAKAGE through the tent fabric. It can be minimized by removing wet clothing from your tent and by providing good ventilation through the tent.
- Never store tent, even for a short period of time, without drying it thoroughly and brushing off caked dirt. Do not pack stakes or poles inside your tent. Use separate storage bag.
- STAKES SHOULD BE REMOVED BY PULLING ON THE STAKE ITSELF. NEVER PULL ON THE TENT FABRIC OR TENT STAKE LOOP TO REMOVE STAKE.



exponent™

3600 N. Hydraulic • Wichita, Kansas 67219
1-800-835-3278 • www.coleman.com