



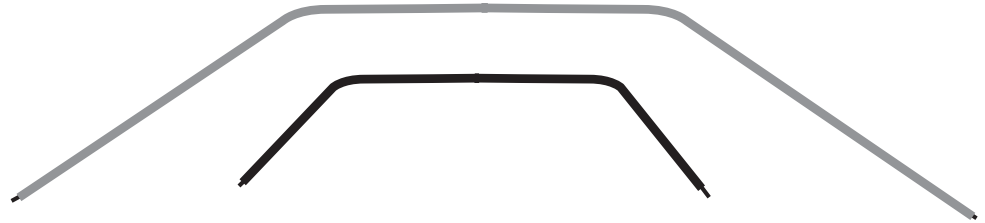
exponent™

Kraz™ X1

part number 2000000451

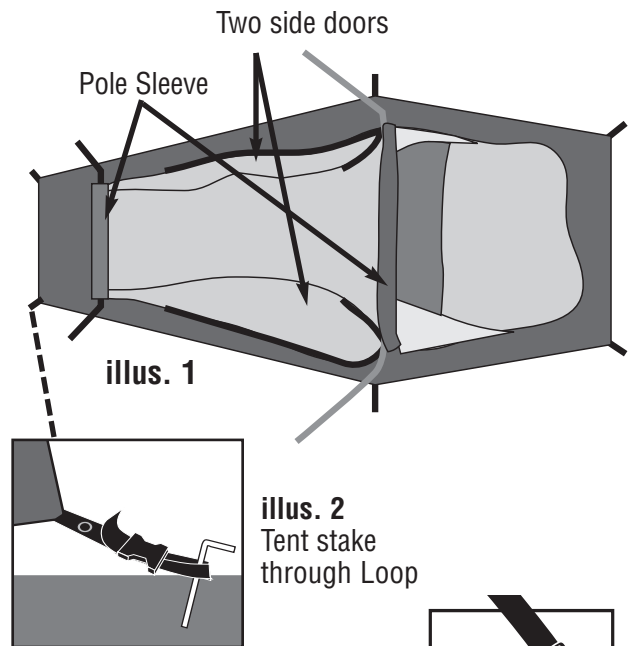
POLE ASSEMBLY PART

- Main Tent Pole**
Part No. 9830-1191
- Foot Pole**
Part No. 9830-1291
- Rainfly**
Part No. 9830-1391



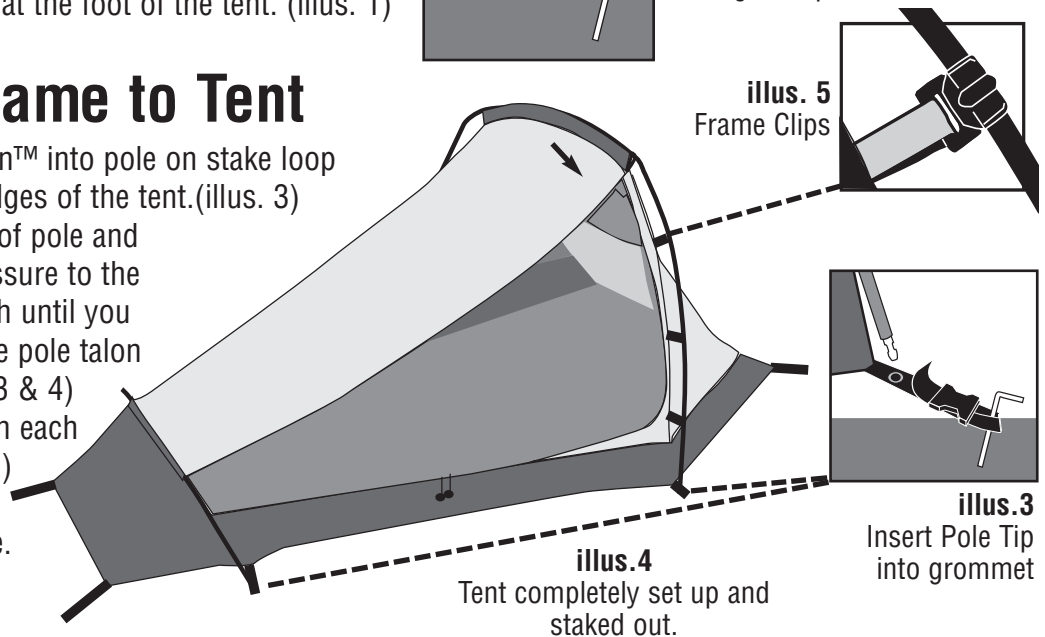
1 Layout & Positioning of Tent, Pole Assembly

- Layout and position tent with doors facing desired direction. (illus. 1)
- For best results in windy conditions position end of tent into the wind.
- Stake down tent corners using the stake loops. Keep the floor taut. Unzip doors. (illus. 2)
- Assemble Frame Poles by interlocking shock-corded sections. This will make one long and one short "U" shaped pole.
- Insert the longer pole through the pole sleeve located in the middle of the tent and the shorter pole into the sleeve at the foot of the tent. (illus. 1)



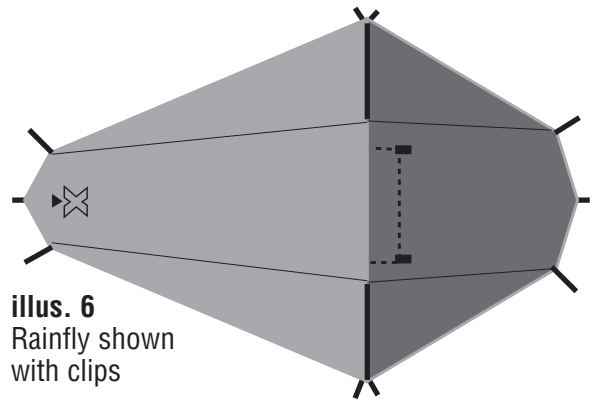
2 Connect Frame to Tent

- Insert one Pole Talon™ into pole on stake loop located at middle edges of the tent. (illus. 3)
- Go to opposite end of pole and gradually apply pressure to the pole forming an arch until you are able to insert the pole talon into the pole. (illus. 3 & 4)
- Attach Frame Clip on each side of tent. (illus. 5)
- Tie frame ties around the tent pole.

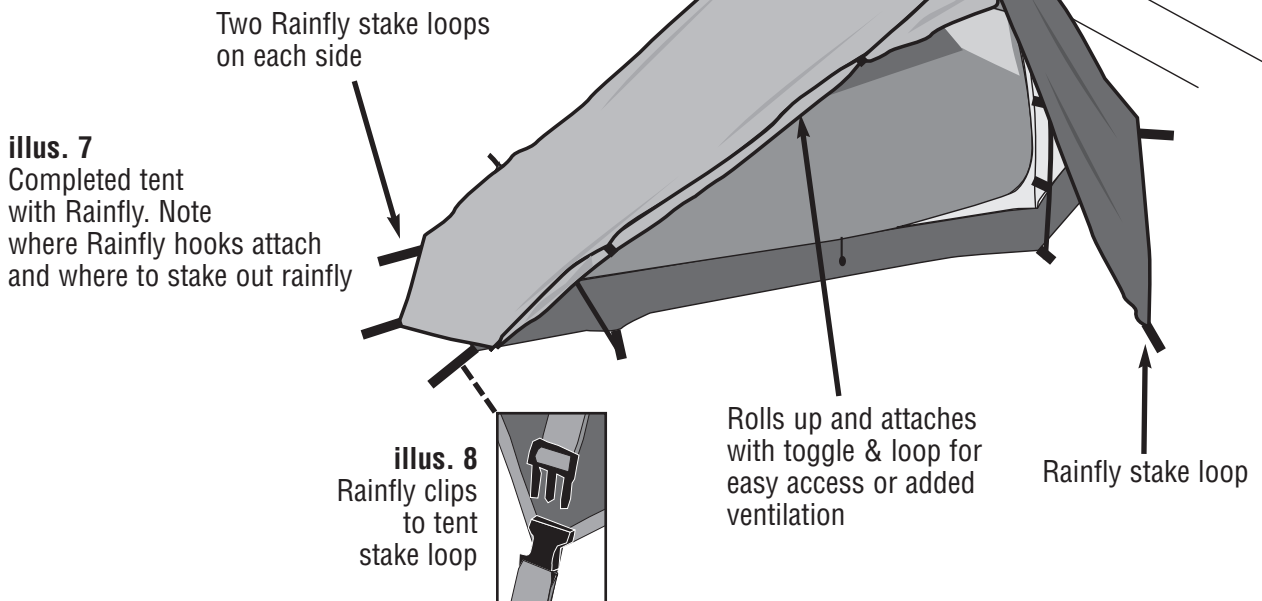


3 Attach Rainfly

- Layout the Rainfly and locate the logo (illus.6)
- Drape Rainfly over tent frame, the logo should be at the foot of the tent. (illus. 7)
- Connect the clips on the rainfly (found at the Rainfly corners) to the stake loops at the corners of the tent. (illus. 7 & 8)
- Stake out Rainfly at the front rear and on each side of the zippered door/vestibule. Pull stake loops out away from tent until Rainfly is taut. (illus.7)



illus. 6
Rainfly shown with clips



Things You Should Know

- Under certain conditions (cold weather, high humidity, etc.) condensation will form on the inside surfaces of your tent. Condensation is caused by water vapor from your breath, perspiration, or any wet clothing inside your tent. It is NOT LEAKAGE through the tent fabric. It can be minimized by removing wet clothing from your tent and by providing good ventilation through the tent.
- Never store tent, even for a short period of time, without drying it thoroughly and brushing off caked dirt. Do not pack stakes or poles inside your tent. Use separate storage bag.
- STAKES SHOULD BE REMOVED BY PULLING ON THE STAKE ITSELF. NEVER PULL ON THE TENT FABRIC OR TENT STAKE LOOP TO REMOVE STAKE.
- TENT POLES SHOULD NOT BE LEFT TELESCOPED TOGETHER DURING STORAGE.



exponent™

3600 N. Hydraulic • Wichita, Kansas 67219
1-800-835-3278 • www.coleman.com