

This Owner's Manual is provided and hosted by [Appliance Factory Parts](#).



Coleman 830A450 Owner's Manual

[Shop genuine replacement parts for Coleman 830A450](#)



[Find Your Coleman Camping Parts - Select From 855 Models](#)

----- Manual continues below -----

Coleman 

1 Year Limited Warranty

The Coleman Company, Inc. ("Coleman") warrants that for a period of one (1) year from the date of purchase, this product will be free from defects in material and workmanship. Coleman, at its option, will repair or replace this product or any component of the product found to be defective during the warranty period. Replacement will be made with a new or remanufactured product or component. If the product is no longer available, replacement may be made with a similar product of equal or greater value. No warranty is provided for batteries and lightbulbs. This is your exclusive warranty.

This warranty is valid for the original retail purchaser from the date of initial retail purchase and is not transferable. Keep the original sales receipt. Proof of purchase is required to obtain warranty performance. Coleman dealers, service centers or retail stores selling Coleman® products do not have the right to alter, modify or in any way change the terms and condition of this warranty.

This warranty does not cover normal wear of parts or damage resulting from any of the following: negligent use or misuse of the product, use on improper voltage or current, use of non-Coleman accessories or parts, use contrary to the operating instructions or failure to follow maintenance instructions, commercial, for-profit, non-profit, instructional, educational use of this product, and or rental applications, disassembly, repair or alteration by anyone other than Coleman or an authorized service center. Further, the warranty does not cover Acts of God, such as fire, flood, hurricanes and tornadoes.

COLEMAN SHALL NOT BE LIABLE FOR ANY INCIDENTAL OR CONSEQUENTIAL DAMAGES CAUSED BY THE BREACH OF ANY EXPRESS OR IMPLIED WARRANTY, BREACH OF CONTRACT OR OTHERWISE. EXCEPT TO THE EXTENT PROHIBITED BY APPLICABLE LAW, ANY IMPLIED WARRANTY OF MERCHANTABILITY OR FITNESS FOR A PARTICULAR PURPOSE IS LIMITED IN DURATION TO THE DURATION OF THE ABOVE WARRANTY. SOME STATES, PROVINCES OR JURISDICTIONS DO NOT ALLOW THE EXCLUSION OR LIMITATION OF INCIDENTAL OR CONSEQUENTIAL DAMAGES OR LIMITATIONS ON HOW LONG AN IMPLIED WARRANTY LASTS, SO THE ABOVE LIMITATIONS OR EXCLUSION MAY NOT APPLY TO YOU. THIS WARRANTY GIVES YOU SPECIFIC LEGAL RIGHTS, AND YOU MAY ALSO HAVE OTHER RIGHTS THAT VARY FROM STATE TO STATE OR PROVINCE TO PROVINCE.

How to Obtain Warranty Service

Take the product to an authorized Coleman service center. You can find the nearest authorized Coleman service center by calling in the U.S. 1-800-835-3278 or TDD 316-832-8707 and in Canada 1-800-387-6161. If a service center is not conveniently located, attach to the product a tag that includes your name, address, daytime telephone number and description of the problem. Include a copy of the original sales receipt. Carefully package the product and send either by courier or postal service with shipping and insurance prepaid to:


For products purchased in the United States:
The Coleman Company, Inc.
3600 North Hydraulic
Wichita, KS 67219

For products purchased in Canada:
Sunbeam Corporation (Canada) Limited
5972 Falbourne
Mississauga, Ontario L5R 3V8

This warranty does not cover transportation or shipping costs. If you ship your product, shipping and insurance must be prepaid.
DO NOT RETURN THIS PRODUCT TO THE PLACE OF PURCHASE. DO NOT SHIP PRODUCT WITH BATTERIES INSTALLED.

If you have any questions regarding this warranty please call 1-800-835-3278 or TDD 316-832-8707 (United States) or 1-800-387-6161 (Canada).

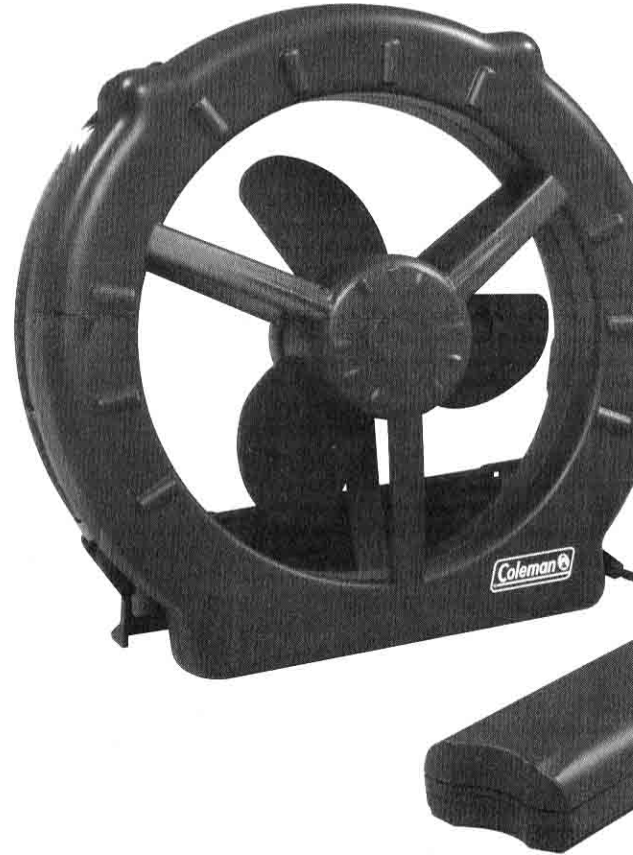
©2005 The Coleman Company, Inc. All rights reserved.

Coleman® and  are registered trademarks, and Cool Zephyr™ and Cool Air Port™ are trademarks of The Coleman Company, Inc.

Coleman 

How to Use and Enjoy Your Coleman®

TENT FAN



Model 830 Cool Zephyr
Window Fan Series

Carefully read all instructions before use and save for future reference.

TO INSTALL OR REPLACE BATTERIES

Your new tent fan operates on 6 "D" cell batteries. For longest life, use alkaline batteries.

1. With fan off, open battery housing lid.
2. Install 6 "D" cell batteries in the correct orientation as shown on the battery housing. Always be careful that all 6 batteries are installed correctly. (See Fig. 1.)
3. Close battery cover. Check that battery cover is securely in closed position before transporting or plugging into fan housing.

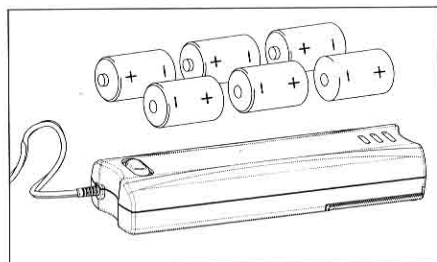


Fig. 1

MOUNTING ON A TENT

1. Tent fan is designed to be mounted on tent window or Cool Air Port™ of Coleman® Tents.
2. Position fan housing on the inside of tent at the desired location that allows the battery housing to remain on the ground or flat surface area in tent.
3. While holding fan housing stationary, place mounting plate on the outside of the window mesh or Cool Air Port™ mesh until contact with magnet occurs. (See Fig. 2)
4. Be sure the mounting plate is making good contact with the magnet before hanging the fan.
5. Once fan is mounted on tent, plug battery cable into fan body.
6. Fan may be operated as a stand alone unit by attaching the mounting plate to the fan magnets. Fan housing must rest against base support to be stable. Place fan where desired in tent, on a level surface, and plug battery cable into fan housing. (See Fig. 3)

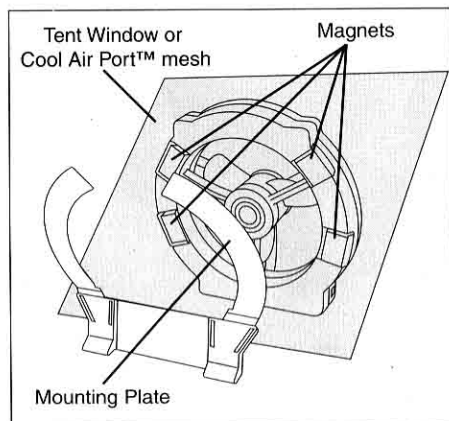


Fig. 2

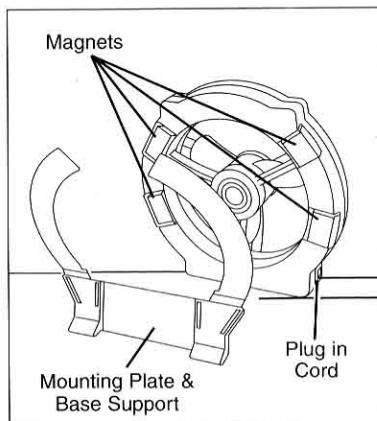


Fig. 3

THINGS YOU SHOULD KNOW

1. Make sure magnets are clean of debris such as metal chips on the tent as debris may damage the tent fabric.
2. **DO NOT attempt to relocate the tent fan by sliding the fan along the tent fabric. Remove the mounting plate and reattach as described in previous instructions.**
3. The run time of the fan will depend on the type of batteries used. Alkaline batteries are recommended for maximum run time and minimum operating cost. Approximate operating times (on high setting): up to 20 hours on high setting and up to 40 hours on low setting. Operating times are based on continuous run.
4. When the fan begins to run at a slower than normal speed, the fan should be replaced.
5. **IMPORTANT:** Do not leave discharged batteries in the fan for a long period of time as this could permanently damage the fan. If the fan is damaged due to battery leakage, refer to battery manufacturer for repair or replacement.
6. To clean outside of tent fan, use only a damp cloth and mild dish soap. Do not submerge in water.
7. For repair service, call 1-800-835-3278 TOLL FREE in the United States and 1-800-387-6161 in Canada. If the fan must be returned to service, please include this instruction card for instructions. *Do not ship product with batteries installed.*

PARTS LIST

No.	Description
1	Mounting Plate & Base Support
2	Battery Housing
3	Fan Housing

