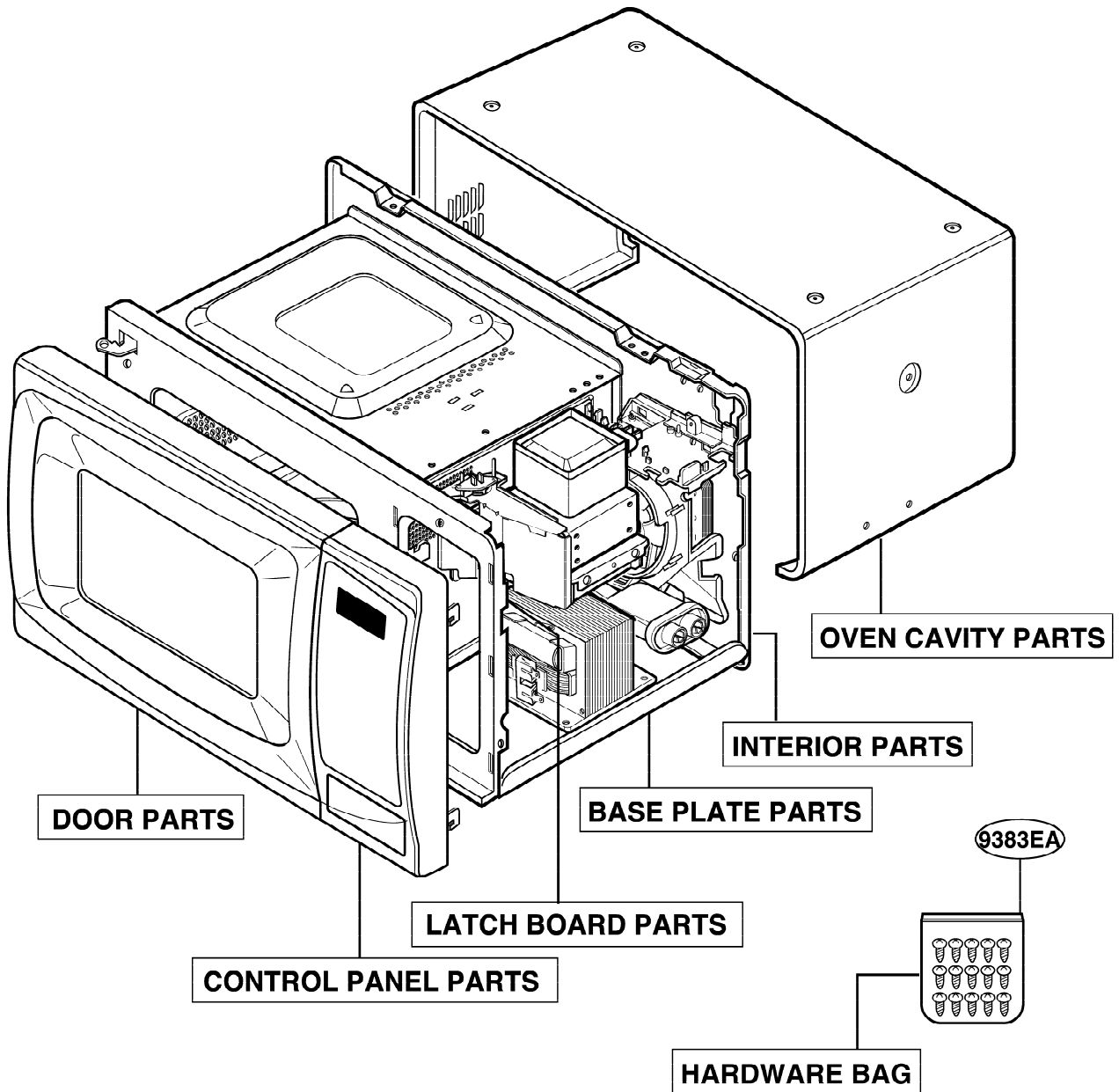


# EXPLODED VIEW

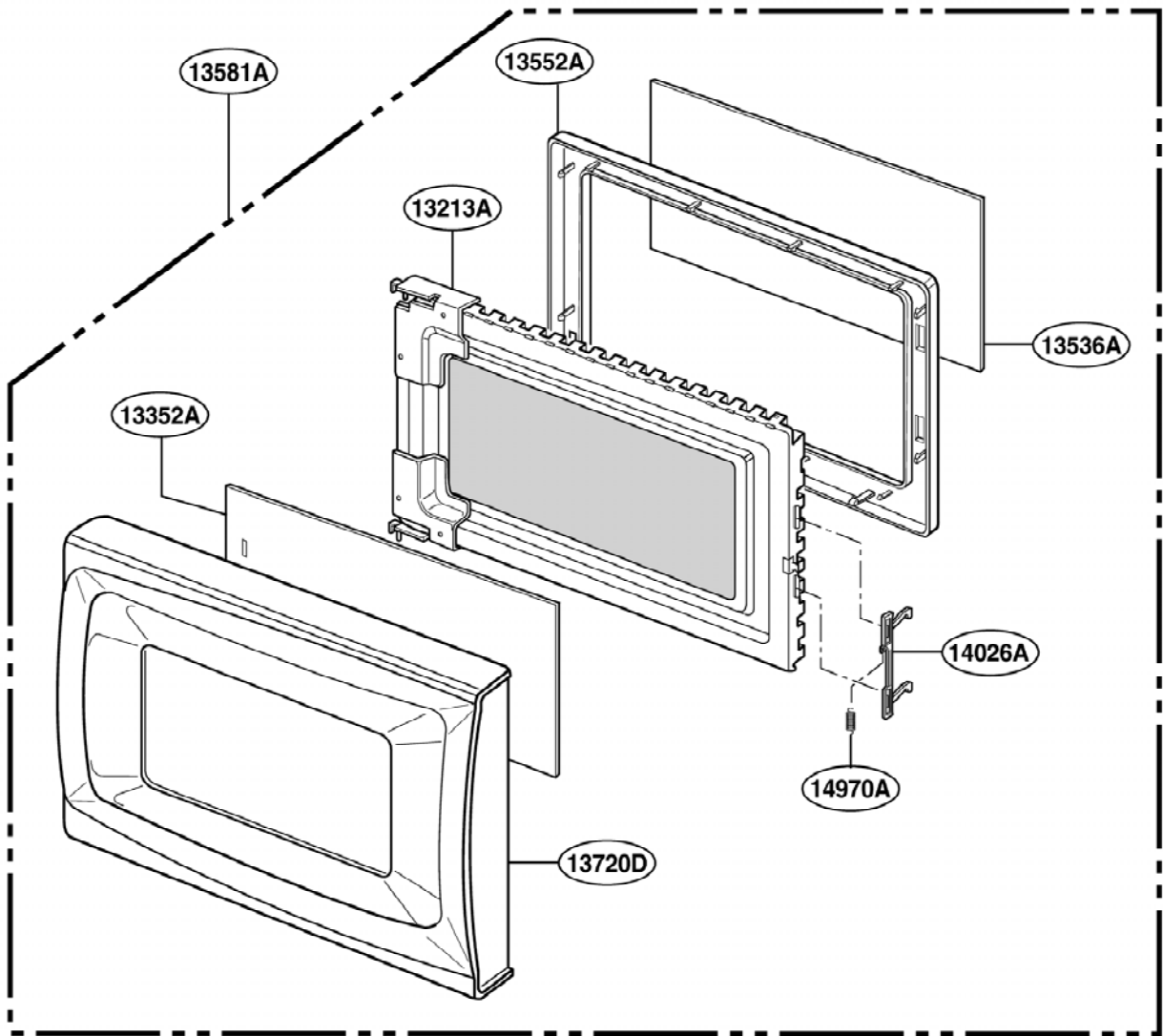
## INTRODUCTION

JE740

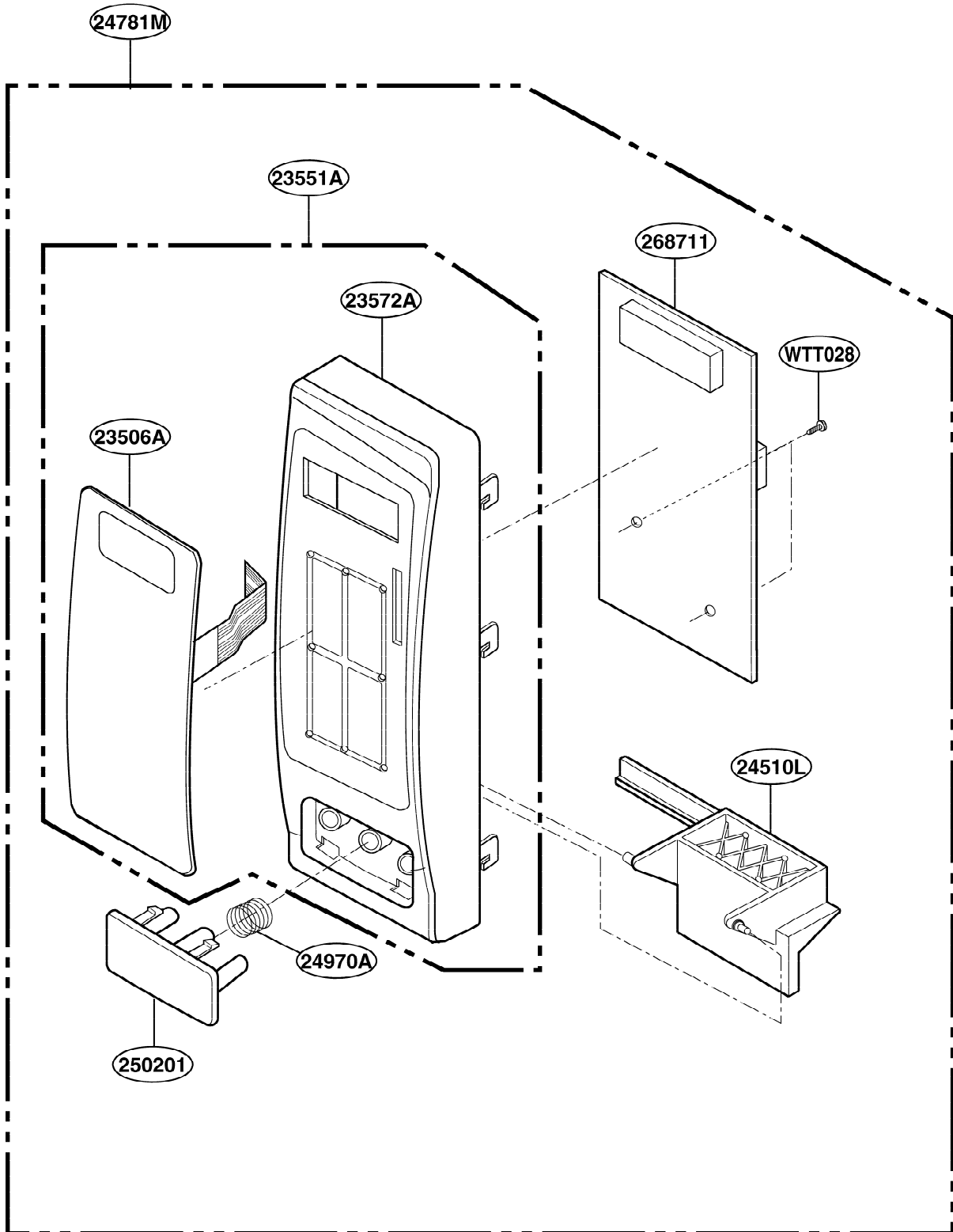


P/No: 3828W5S5073

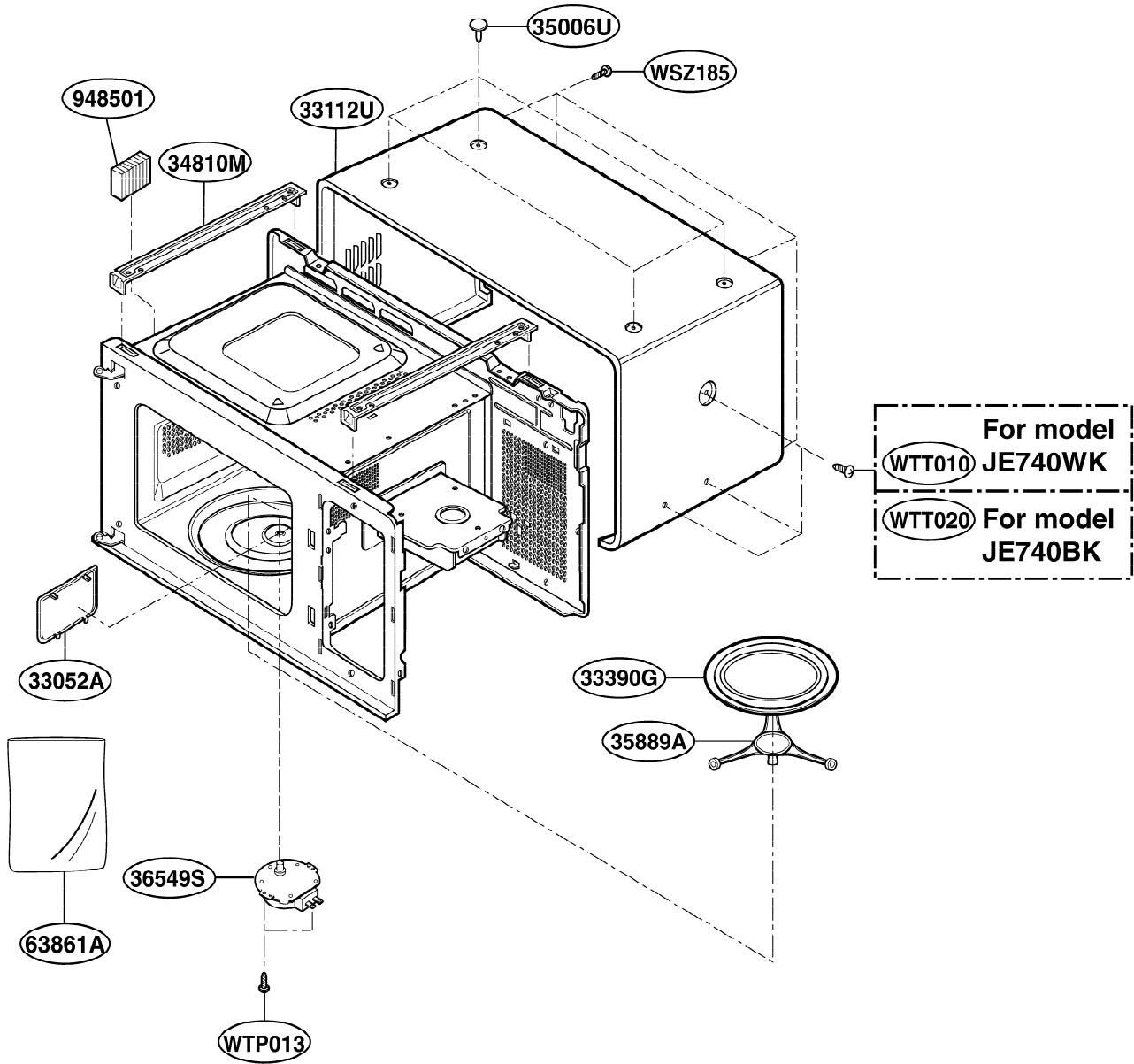
# DOOR PARTS



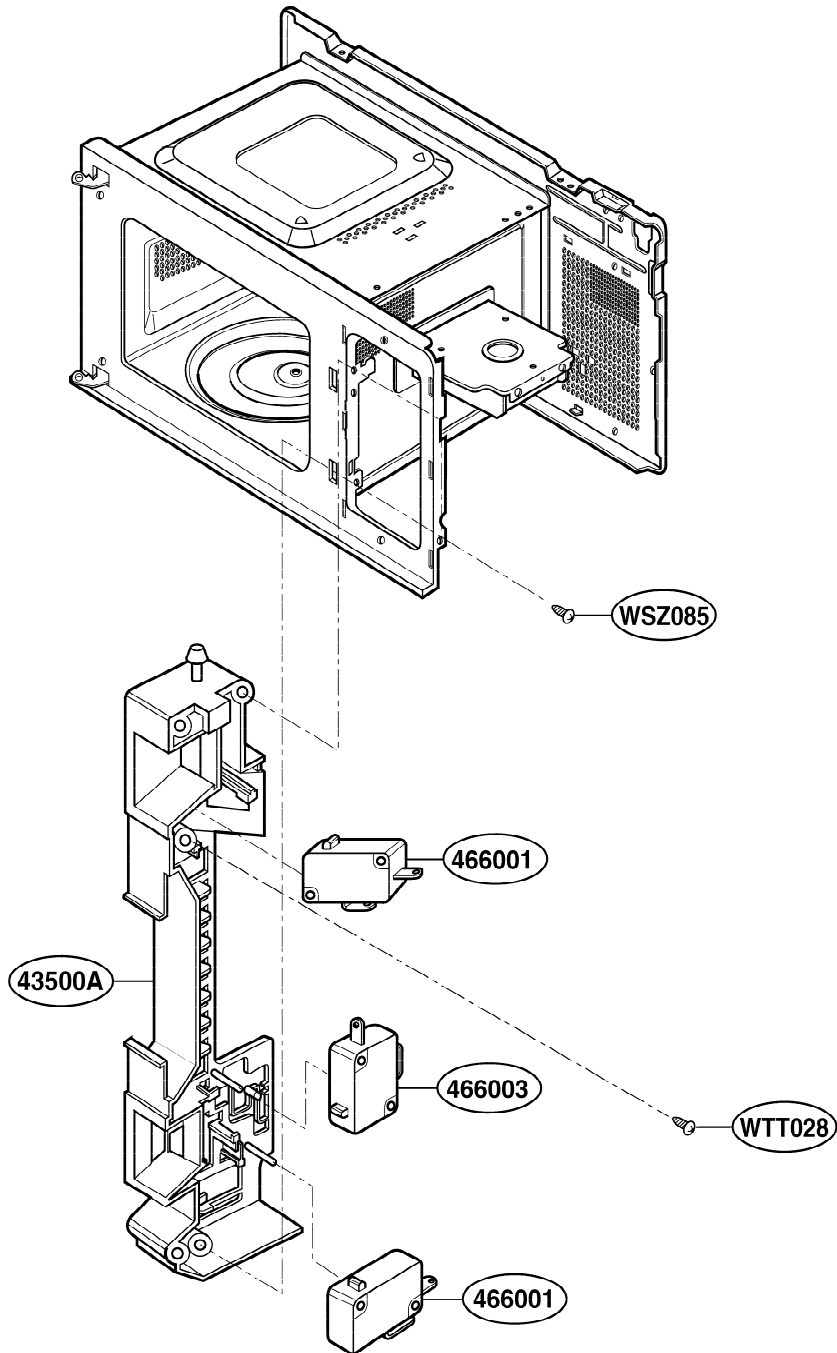
# CONTROL PANEL PARTS



# OVEN CAVITY PARTS



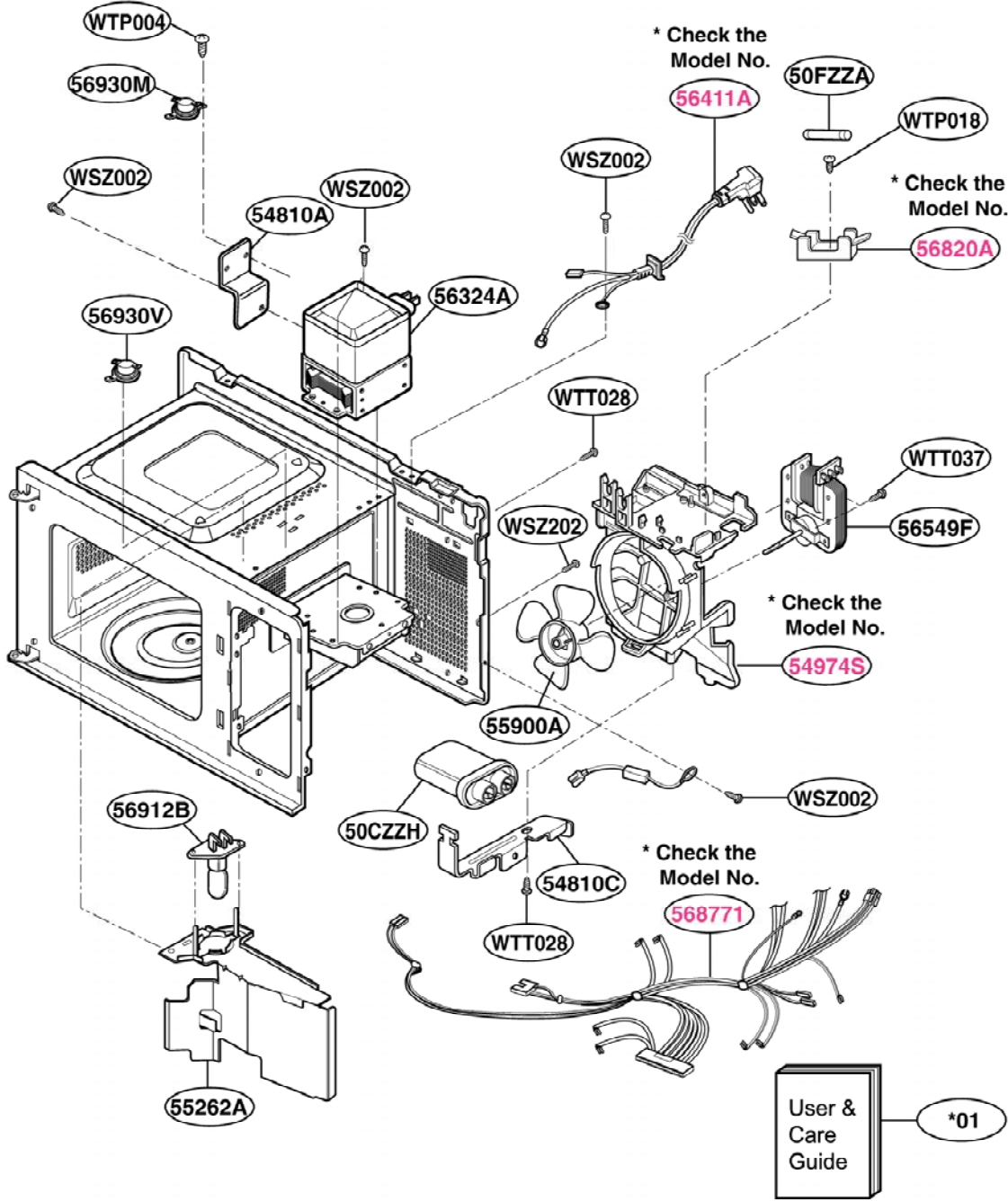
# LATCH BOARD PARTS



# INTERIOR PARTS (I)

Model: JE740WK 01  
JE740BK 01

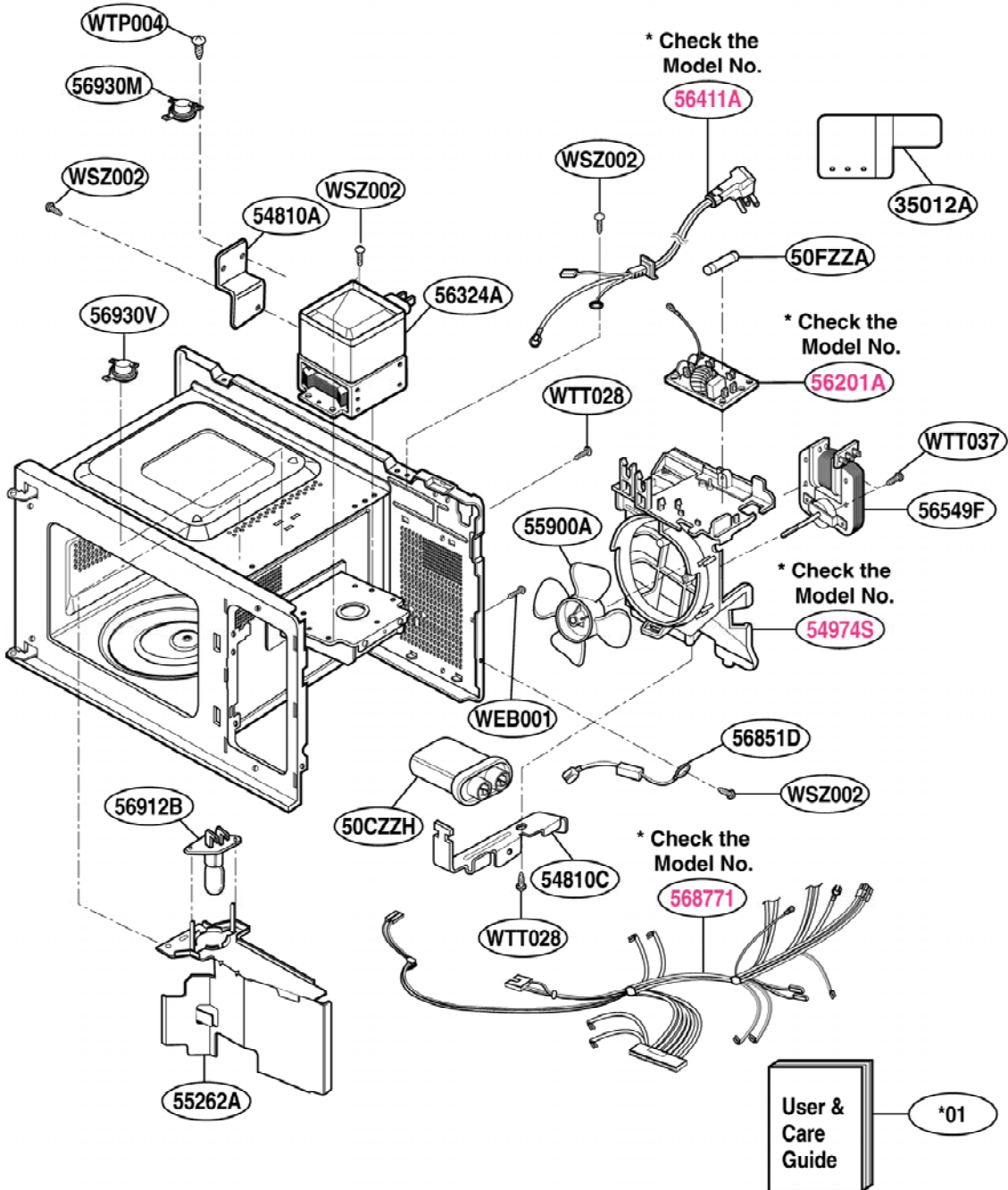
Check the rating label of **Model** and order SVC parts according to the **Model No.**



# INTERIOR PARTS (II)

Model: JE740WK 02  
 JE740BK 02

Check the rating label of **Model** and order SVC parts according to the **Model No.**



# BASE PLATE PARTS

