

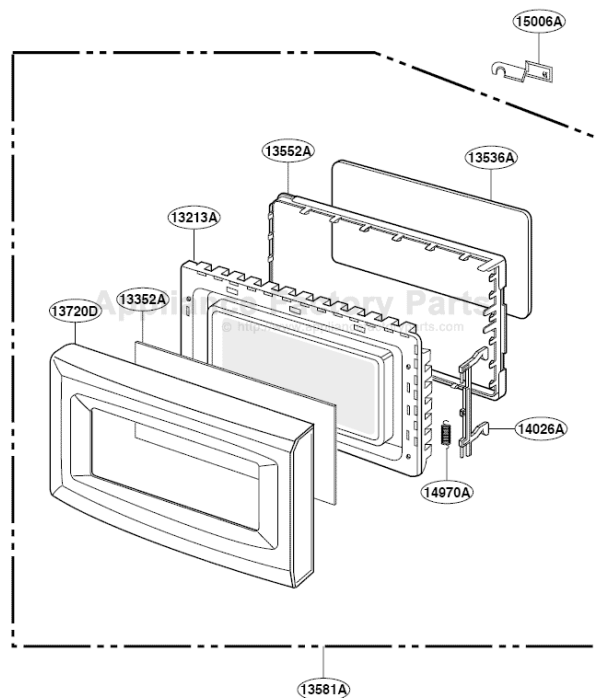
This Owner's Manual is provided and hosted by [Appliance Factory Parts](http://ApplianceFactoryParts.com).



GE JE1340WY01 Owner's Manual

[Shop genuine replacement parts for GE JE1340WY01](#)

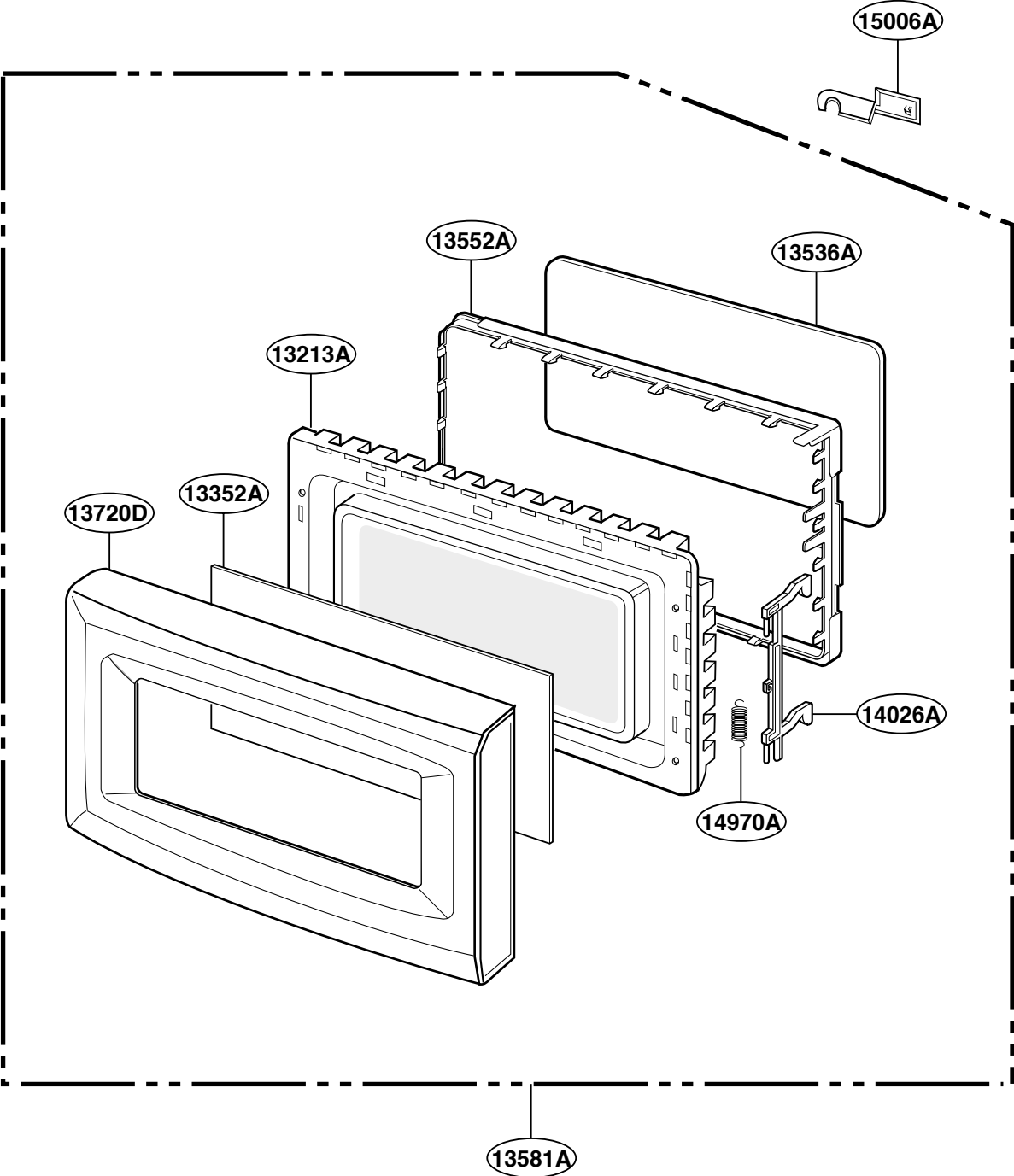
DOOR PARTS



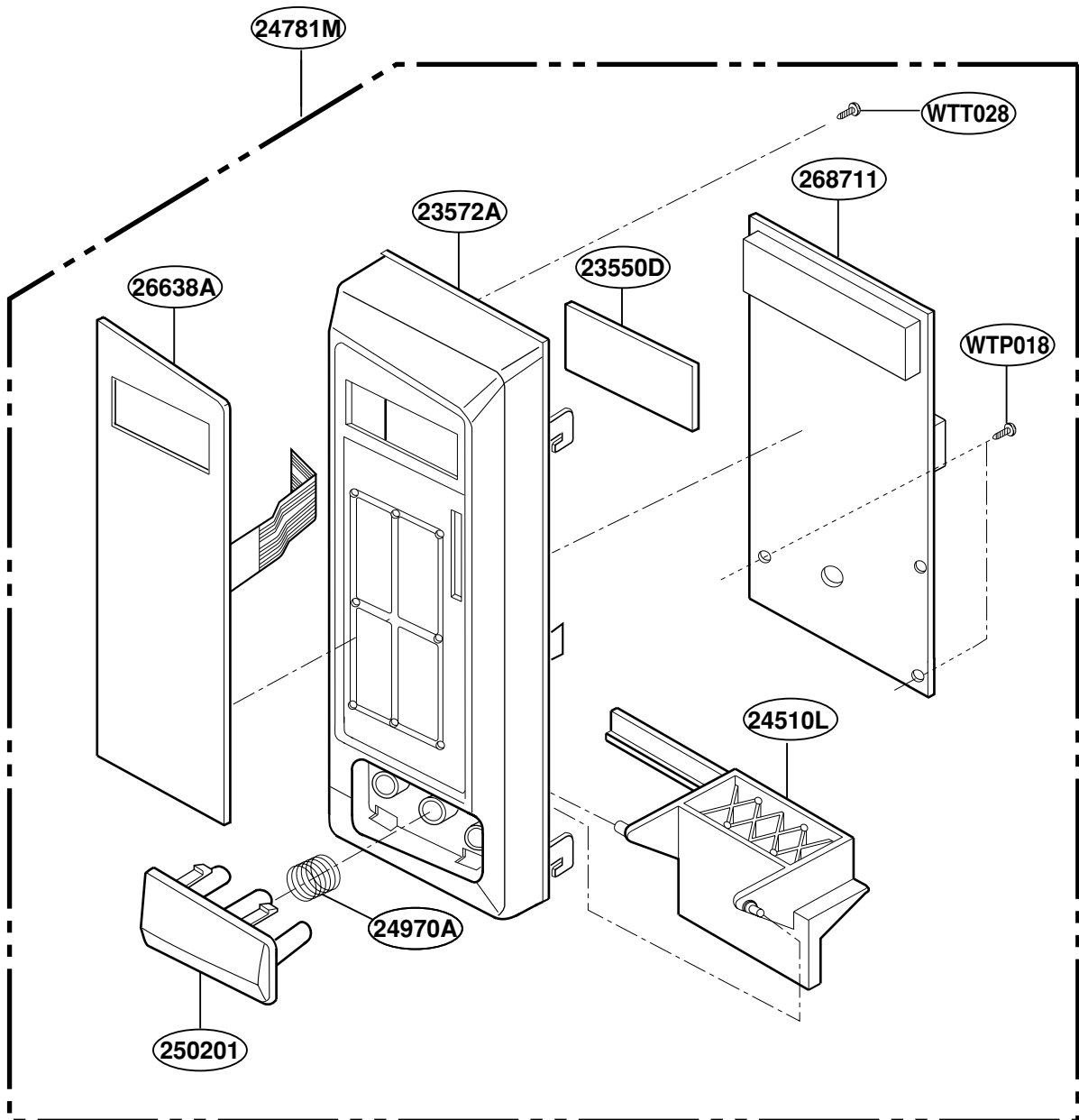
[Find Your GE Microwave Parts - Select From 3055 Models](#)

----- Manual continues below -----

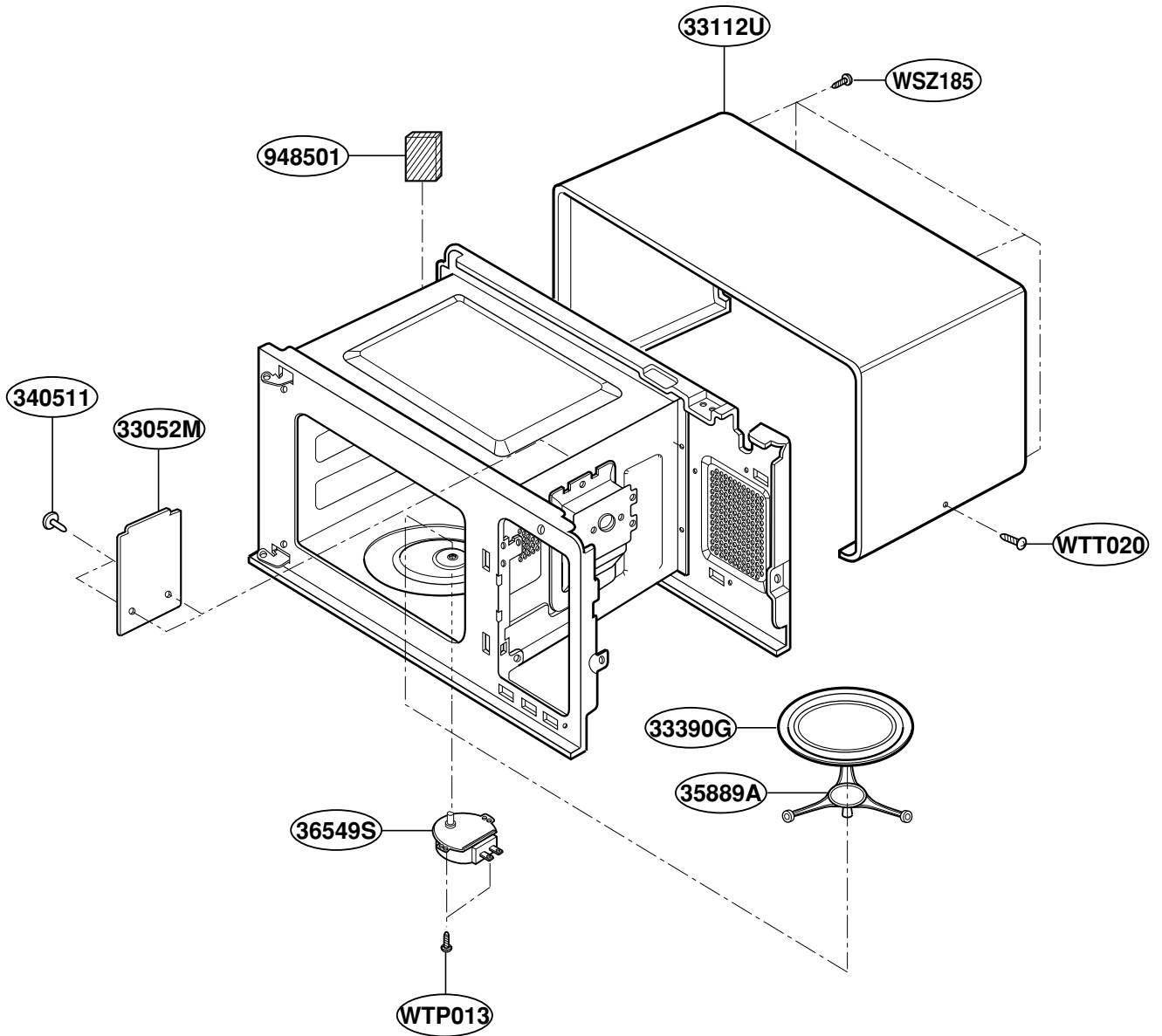
DOOR PARTS



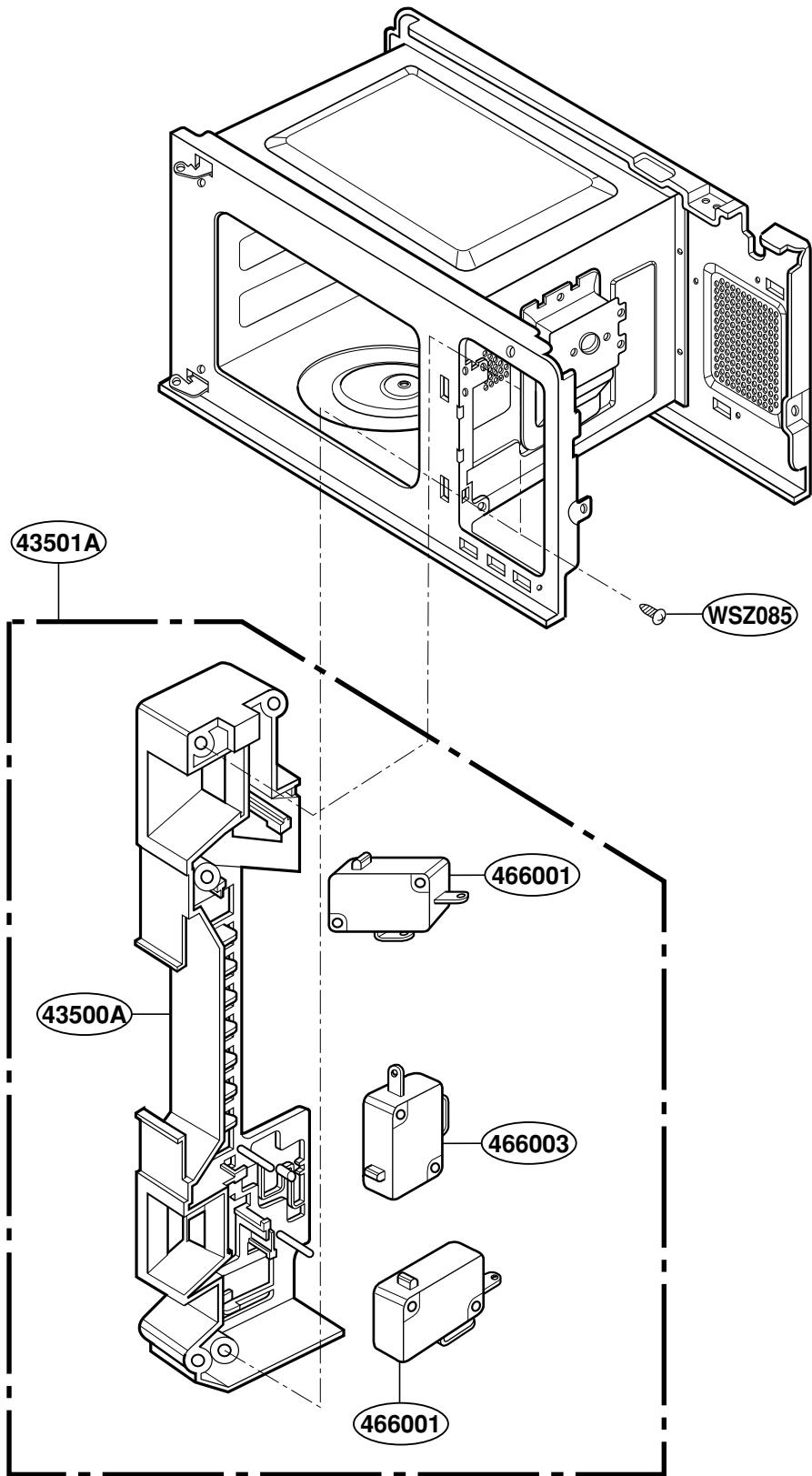
CONTROL PANEL PARTS



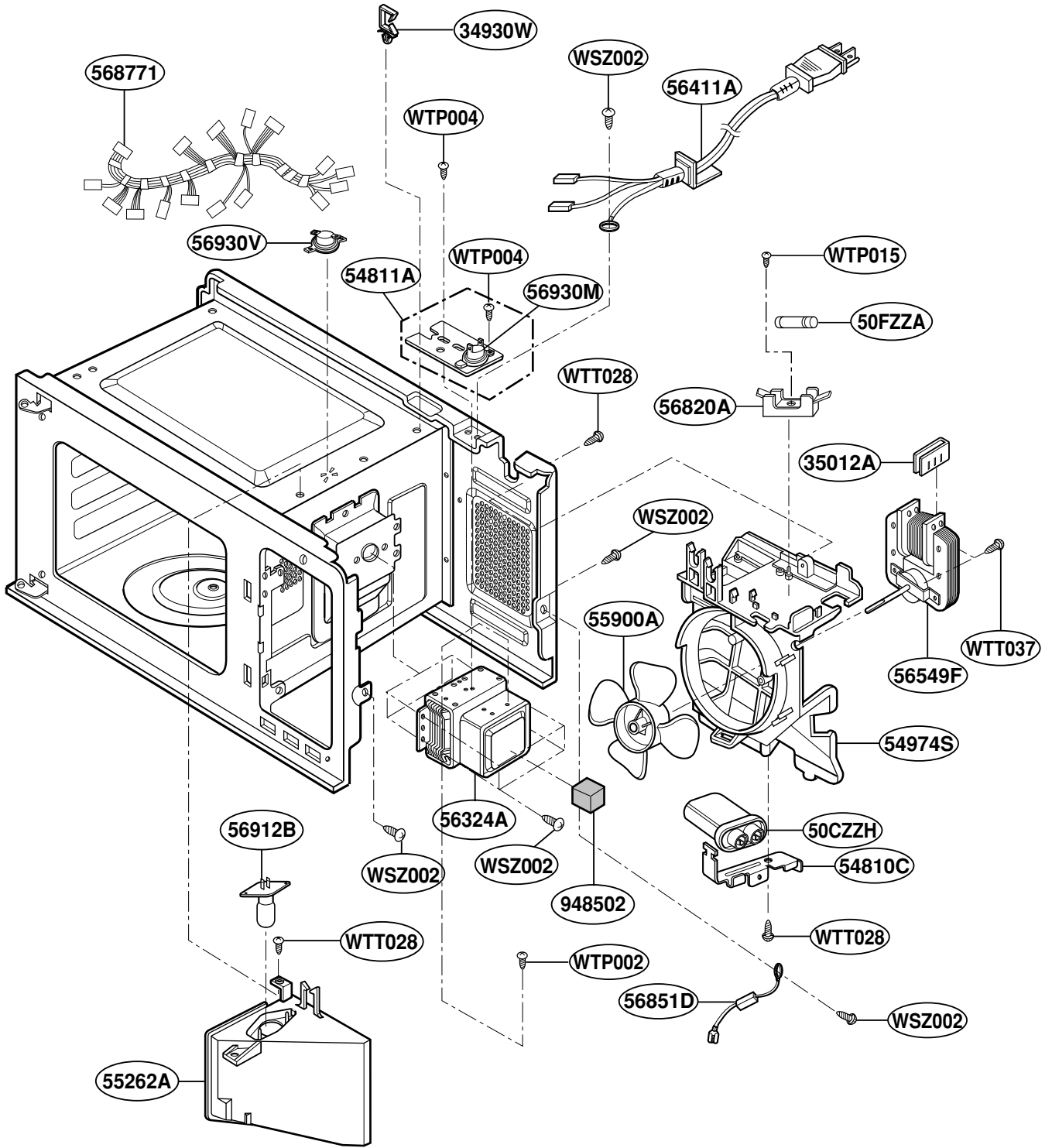
OVEN CAVITY PARTS



LATCH BOARD PARTS



INTERIOR PARTS



BASE PLATE PARTS

