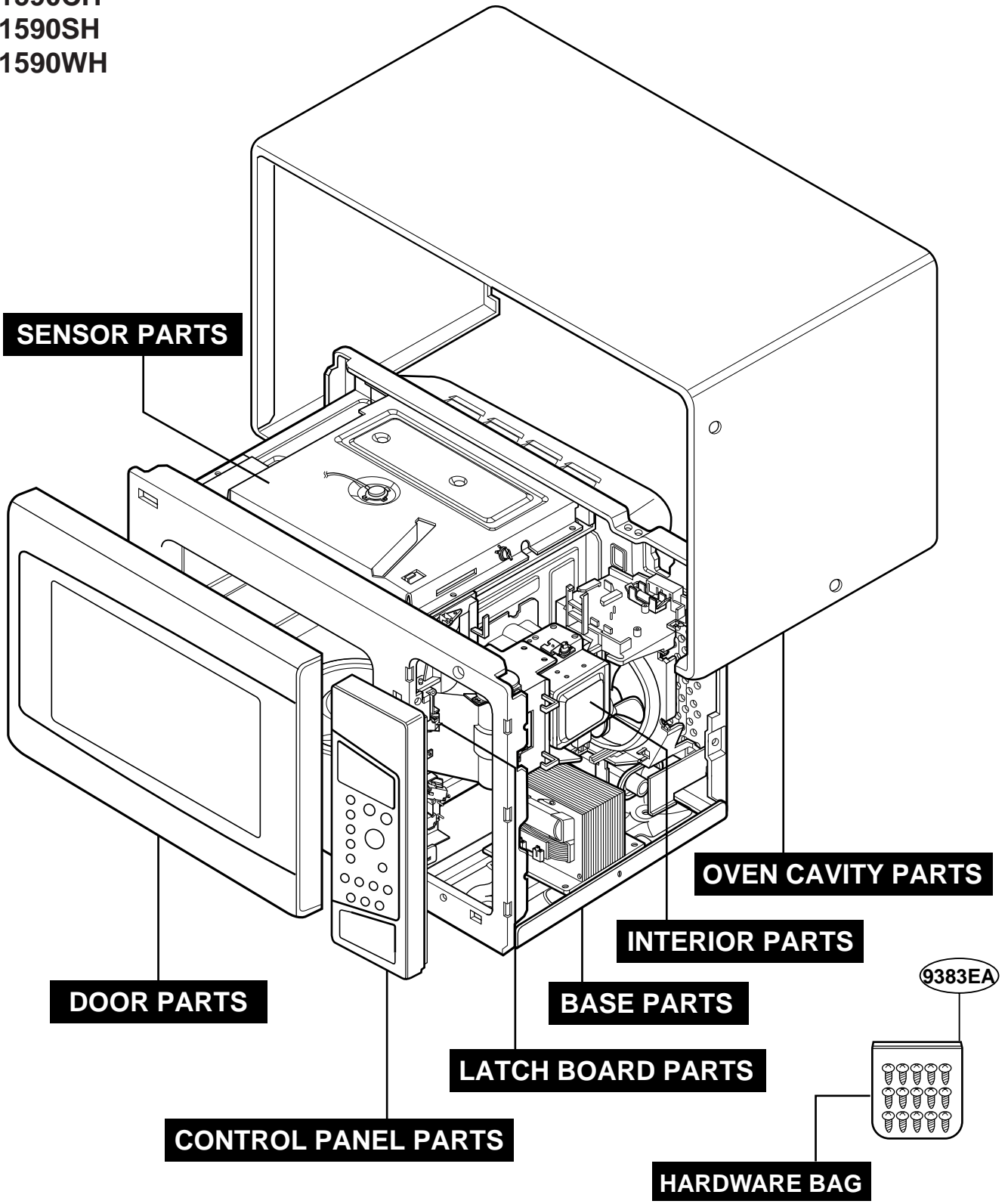


# EXPLODED VIEW

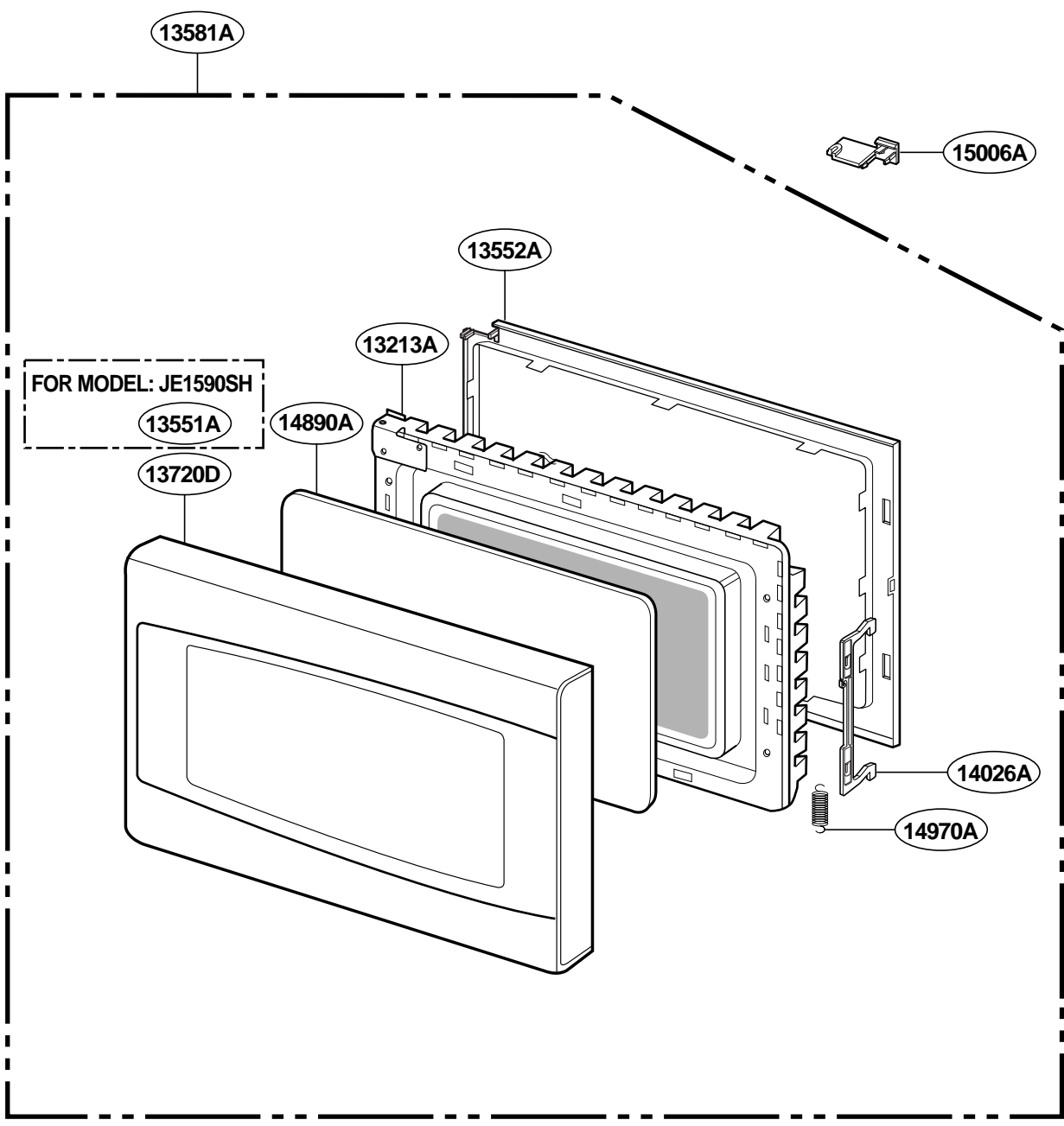
## INTRODUCTION

JE1590BH  
JE1590CH  
JE1590SH  
JE1590WH



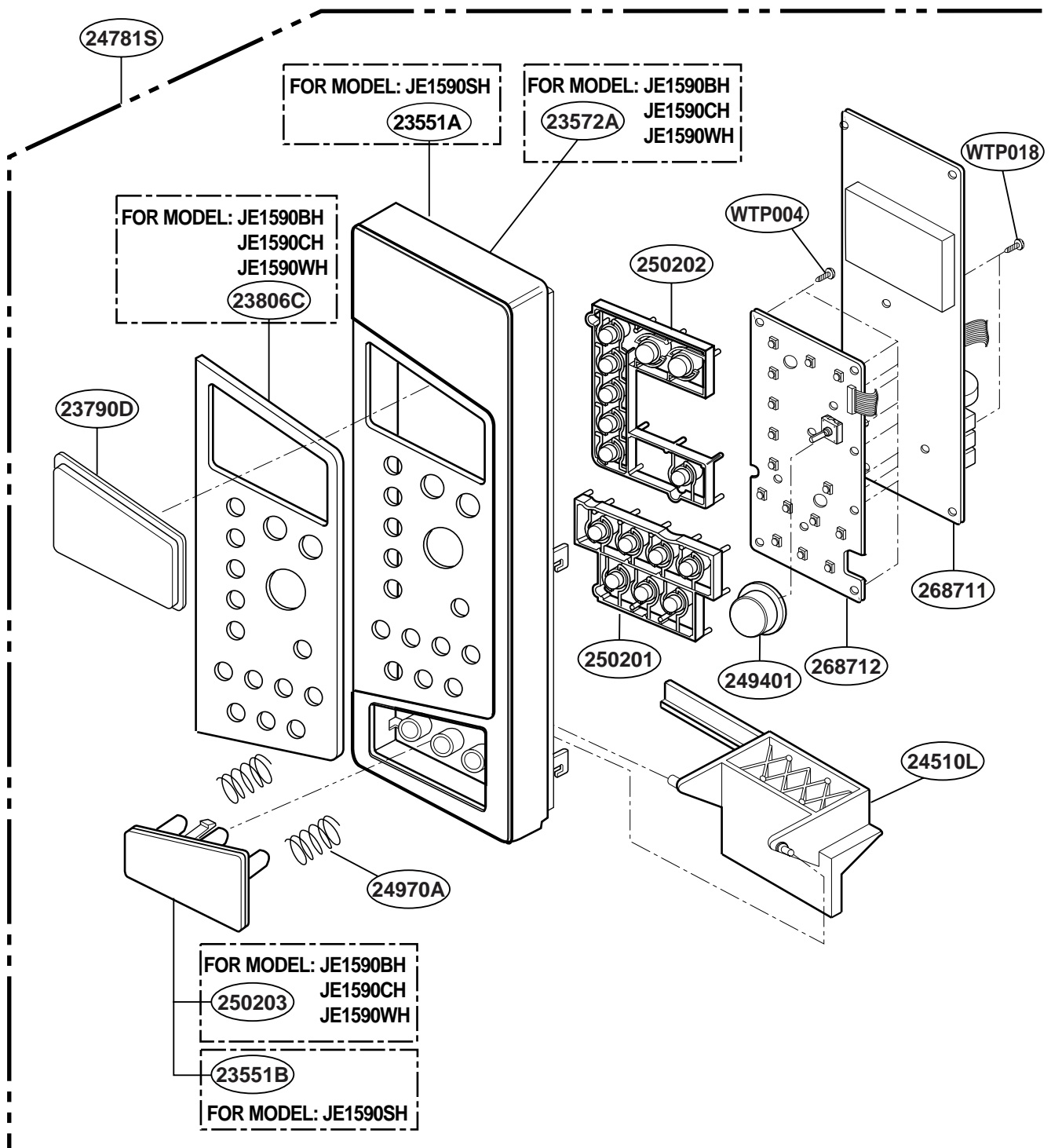
# DOOR PARTS

JE1590BH  
JE1590CH  
JE1590SH  
JE1590WH



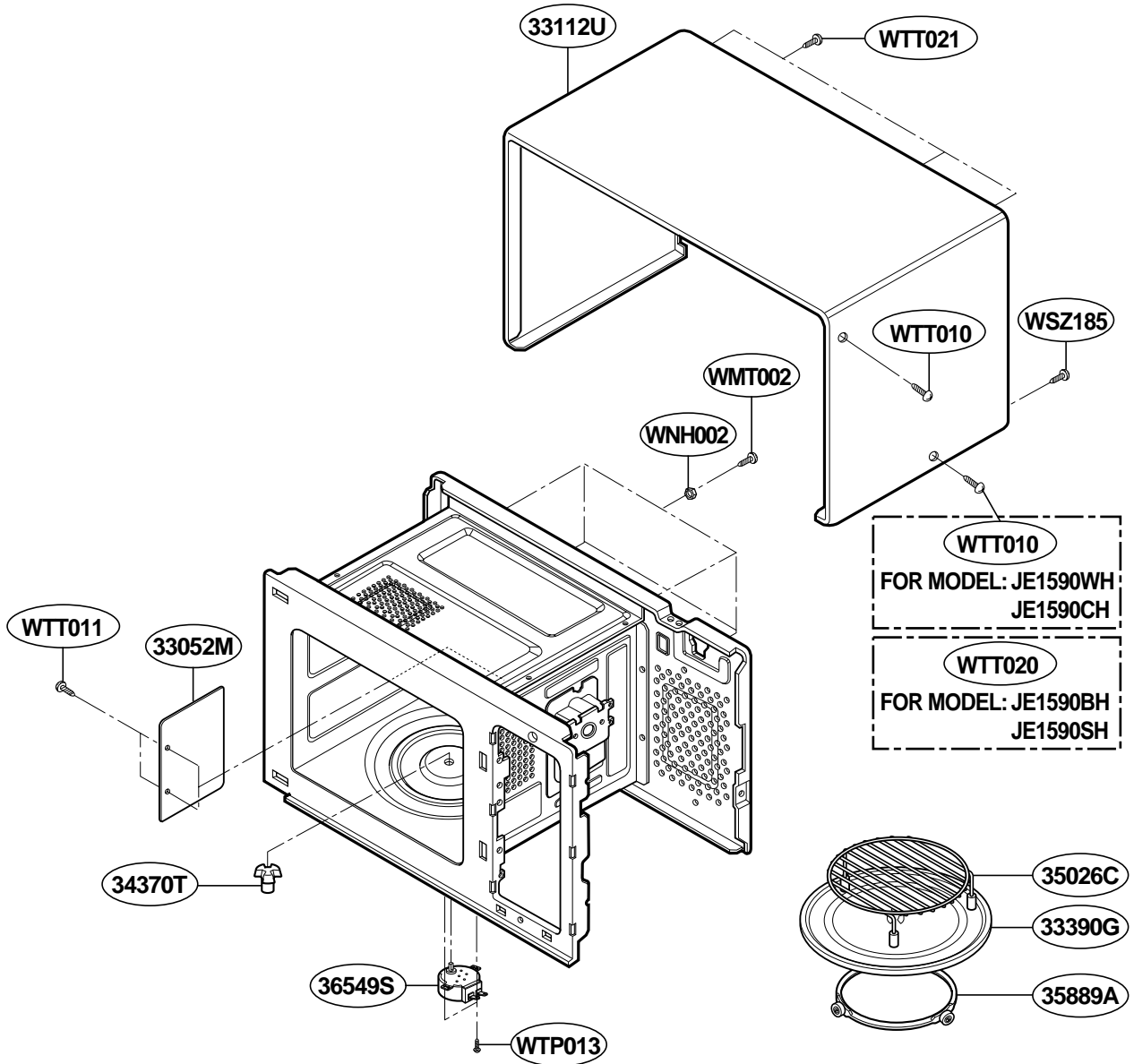
# CONTROLLER PARTS

JE1590BH  
JE1590CH  
JE1590SH  
JE1590WH



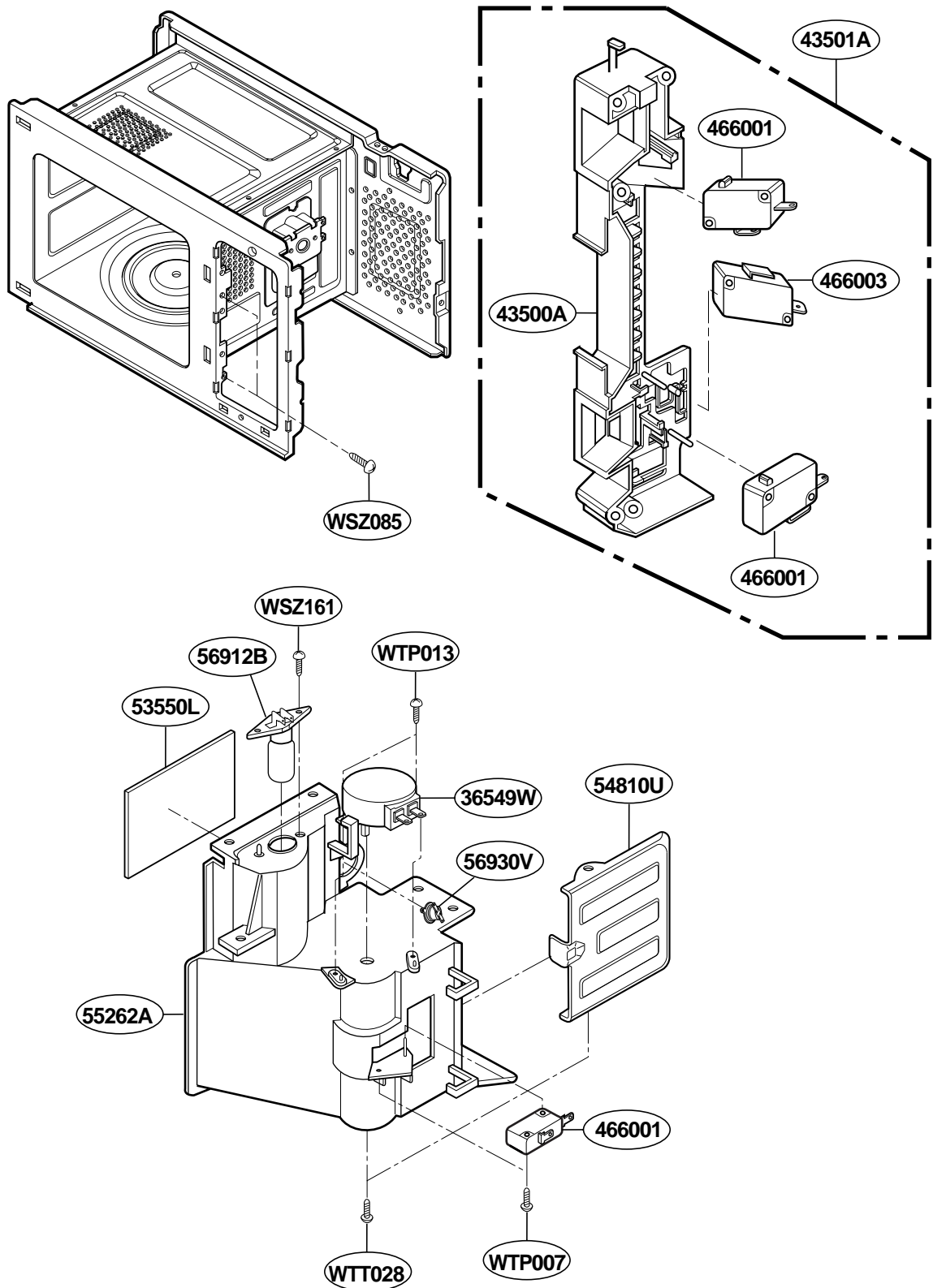
# OVEN CAVITY PARTS

JE1590BH  
JE1590CH  
JE1590SH  
JE1590WH



# LATCH BOARD PARTS

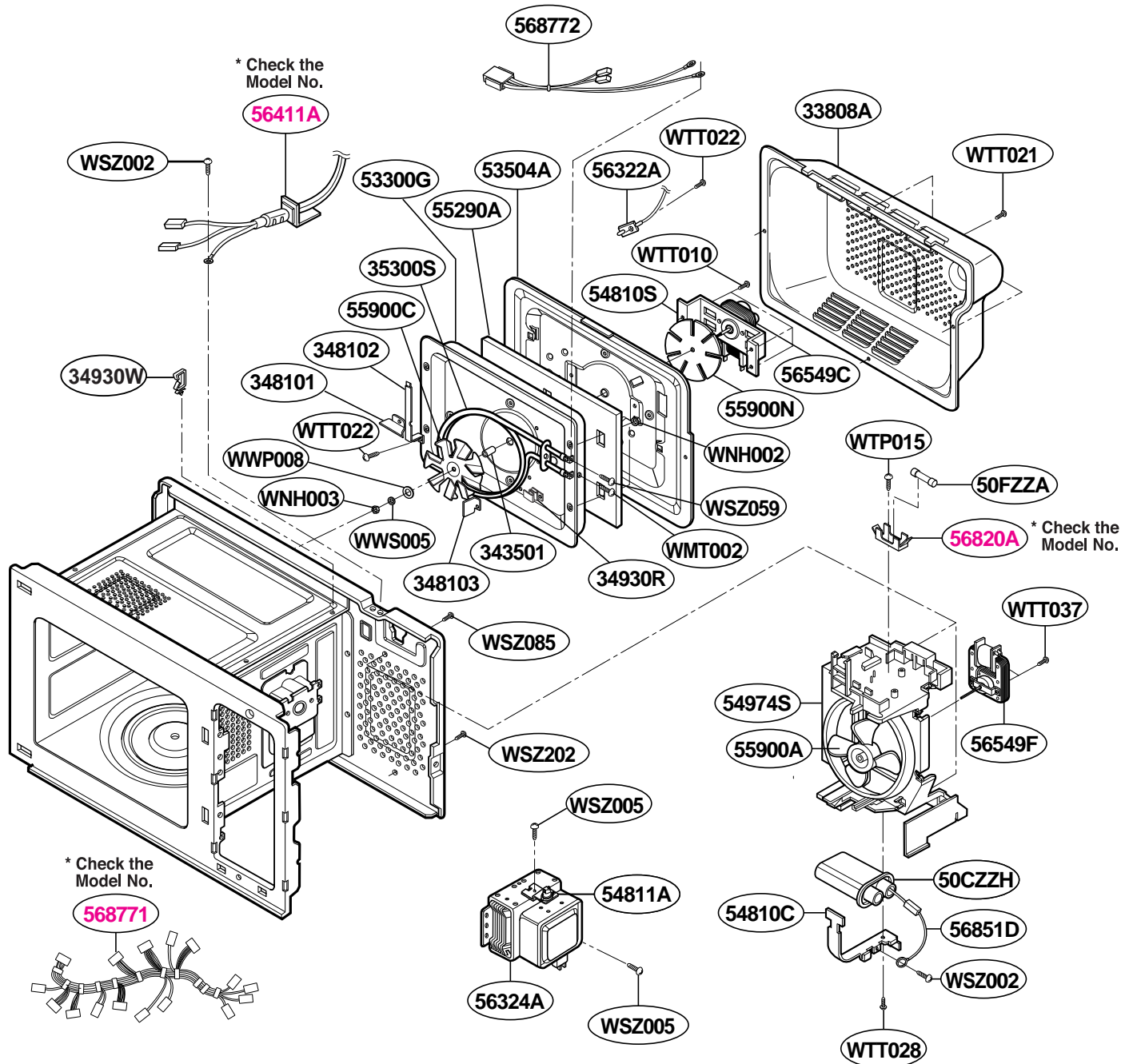
JE1590BH  
JE1590CH  
JE1590SH  
JE1590WH



# INTERIOR PARTS(I)

- JE1590BH01
- JE1590CH01
- JE1590SH01
- JE1590WH01

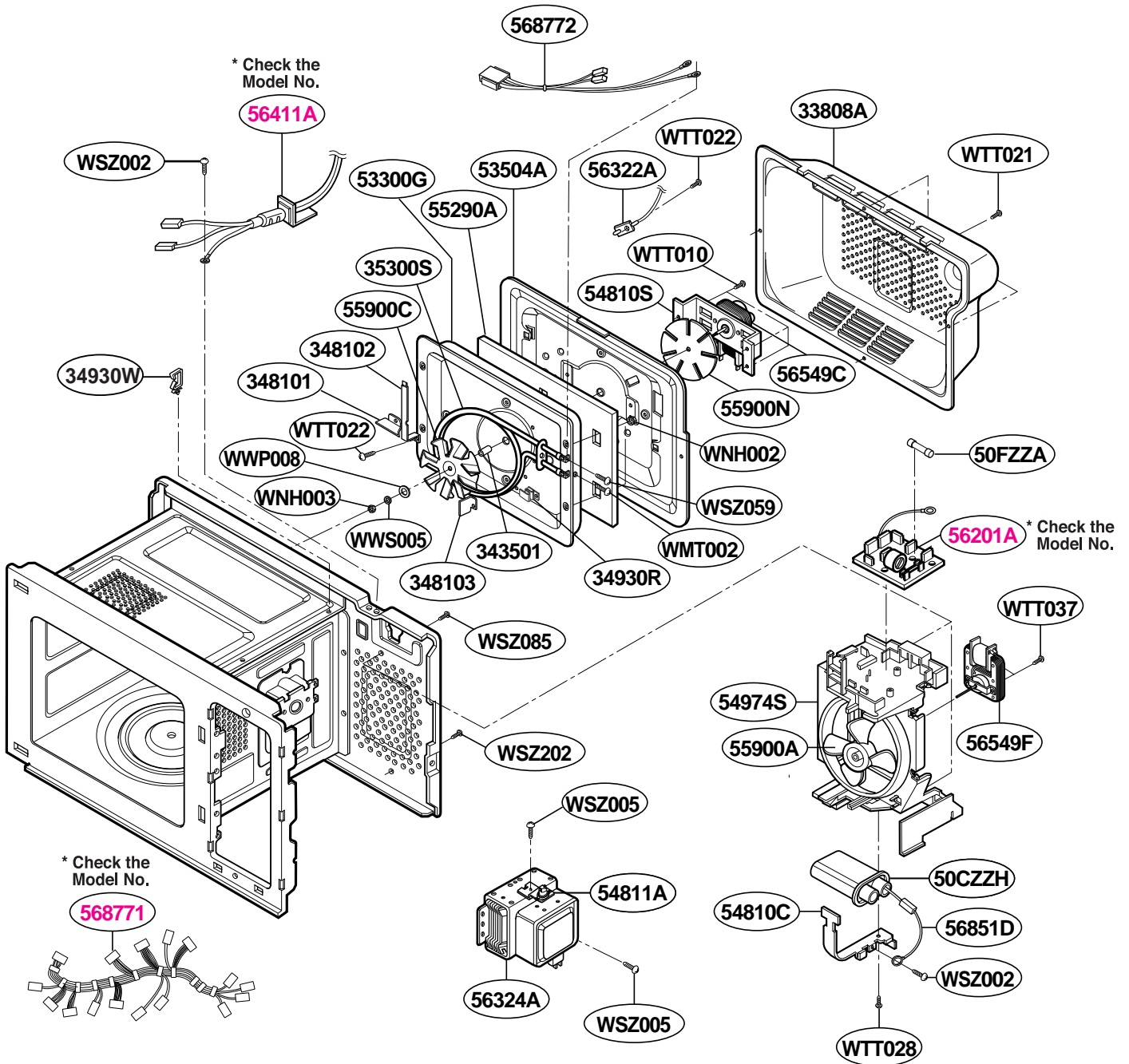
Check the rating label of Model and order SVC parts according to the Model No.



# INTERIOR PARTS(II)

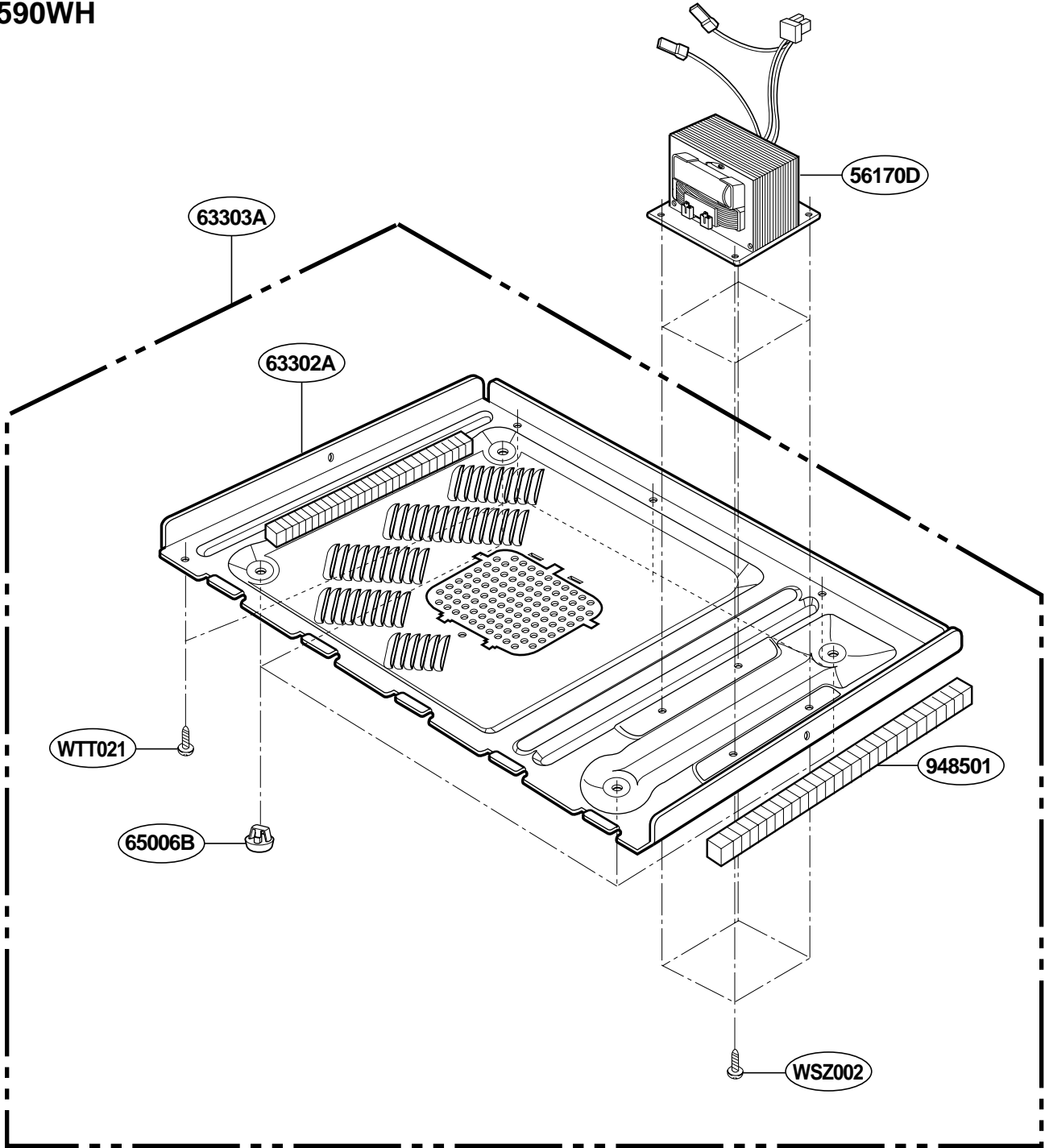
- JE1590BH02
- JE1590CH02
- JE1590SH02
- JE1590WH02

Check the rating label of Model and order SVC parts according to the Model No.



# BASE PLATE PARTS

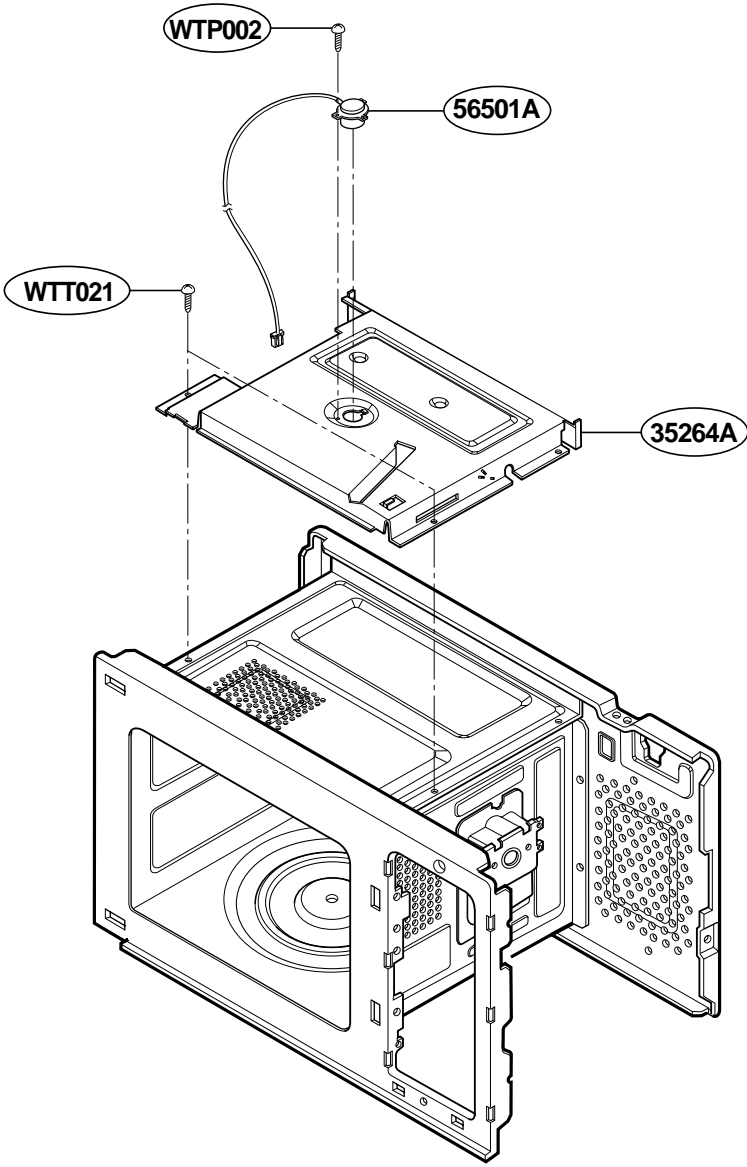
- JE1590BH
- JE1590CH
- JE1590SH
- JE1590WH





# SENSOR PARTS

- JE1590BH
- JE1590CH
- JE1590SH
- JE1590WH



# REPLACEMENT PARTS LIST

**For MODEL: JE1590BH**

LOC. NO	DESCRIPTION	DIFFERENCE CHART		SVC	QTY	ALTERNATIVE PART NO.	REMARKS
		JE1590BH/01	JE1590BH/02				
*01	MANUAL,OWNERS	3828W5A3768		R	1		
*03	COOK BOOK	3878W5A0027		R	1		
*07	CARD,TECHNICAL	3840W5T136A	3840W1T0020	R	1		Change
*10	BOX,YELLOW	3890W3Y159A		R	1		
13213A	DOOR FRAME ASSEMBLY	3213W0A002C		R	1		
13552A	CHOKE COVER	3552W0A002A		R	1		
13581A	DOOR ASSEMBLY	3581W0A101B	3581W0A101F	R	1	3581W0A101B	Change
13720D	PANEL,DOOR	3720W0D341B		R	1		
14026A	LATCH	4026W2A012A		R	1		
14890A	GLASS	4890W1A029F		S	1		
14970A	SPRING	4970WRA001B		R	1		
15006A	CAP,CHOKE COVER	5006W3A017A		R	1		
23572A	PANEL,CONTROL	3720W0C188B		R	1		
23790D	WINDOW,DIGITRON	3790W1A064A		R	1		
23806C	DECO,CONTROL PANEL	3806W1A109B		R	1		
24510L	LEVER	4510W1A015A		R	1		
24781S	CONTROLLER ASSEMBLY,SEMI MICOM	4781W0S034B		R	1		
249401	KNOB	4940W1A118B		S	1		
24970A	SPRING	4B72023A		R	1		
250201	BUTTON	5020W1A223B		B	1		
250202	BUTTON	5020W1A224B		B	1		
250203	BUTTON	5020W1A225B		B	1		
268711	PWB(PCB) ASSEMBLY,SUB	6871W1S281A		R	1		
268712	PWB(PCB) ASSEMBLY,SUB	6871W1S282A		R	1		
33052M	CANOPY,MICA	3052W3M022A		R	1		
33112U	OUT CASE,U-BENDING	3112W0U036G		R	1		
33390G	TRAY,GLASS	1B71961E		R	1		
33808A	COVER,BACK	3550W1A090A		R	1		
343501	RING	4B73725A		R	1		
34370T	SHAFT,TURN TABLE	4370W3A001A		R	1		
348101	BRACKET,HEATER	4810W3H003A		R	1		
348102	BRACKET,HEATER	4810W3H002A		R	1		
348103	BRACKET,HEATER	4810W3H004A		R	1		
34930R	SUPPORTER	4930W3A014A		R	2		
34930W	HOLDER,WIRE	4B72944B		R	1		
35026C	SHELF	5026W1A035D		R	1		
35264A	AIR TUNNEL	5264W1A015A	5264W1A015E	R	1		Change
35300S	HEATER,SHEATH	5300W1S006A		R	1		
35889A	ROTATING RING ASSEMBLY	5889W2A017A		R	1		
36549S	MOTOR(CIRC),SYNCHRONOUS	6549W1S013A		R	1		
36549W	MOTOR(CIRC),SYNCHRONOUS	6549WRS001P		R	1		
43500A	BOARD,LATCH	3500W1A008A		R	1		
43501A	BOARD ASSEMBLY,LATCH	3501W1A003U		R	1		
466001	SWITCH,MICRO	3B73362F		R	2	3B73362E	
466001	SWITCH,MICRO	3B73362F		R	2	6600W1K004C	
466002	SWITCH,MICRO	6600W1K001D		R	1		
466003	SWITCH,MICRO	3B73361E		R	1	6600W1K004B	
466003	SWITCH,MICRO	3B73361E		R	1	3B73361D	
50CZZH	CAPACITOR,DRAWING[HIGH VOLTAGE]	0CZZW1H002H	0CZZW1H004B	R	1	0CZZW1H002H	Change
50CZZH	CAPACITOR,DRAWING[HIGH VOLTAGE]	0CZZW1H002H	0CZZW1H004B	R	1	0CZZW1H003H	Change

R : SERVICE PARTS

**For MODEL: JE1590BH**

LOC. NO	DESCRIPTION	DIFFERENCE CHART		SVC	QTY	ALTERNATIVE PART NO.	REMARKS
		JE1590BH/01	JE1590BH/02				
50FZZA	FUSE,DRAWING	3B74133K		R	1	3B74133H	
53300G	PLATE,INNER	3300W1G088A		R	1		
53504A	CHAMBER	3300W1G087A		R	1		
53550L	COVER,LAMP	3550W3L001A		R	1		
54810C	BRACKET,CAPACITOR	4810W4C003A		R	1		
54810S	BRACKET,MOTOR	3B72717A		R	1		
54810U	BRACKET,DAMPER	4810W2U002A		R	1		
54811A	BRACKET ASSEMBLY	4811W3A016A		R	1		
54974S	GUIDE,SUCTION	4974W1S046A		R	1		
55262A	DUCT	3550W1A093B	3550W1A093A	R	1		Change
55290A	GLASS WOOL	5290W1A001A	5290W1A001B	R	1		Change
55900A	FAN	2B72279B		R	1		
55900C	FAN	5900W3A004B		R	1		
55900N	FAN	3B72559A		R	1		
56170D	TRANSFORMER,HIGH VOLTAGE	6170W1D023J	6170W1D012G	R	1	6170W1D023J	Change
56201A	FILTER ASSEMBLY(CIRC)	-	6201W2A018A	R	1		Add
56820A	FUSE HOLDER	4930W3B025B	-	R	1		Delete
56322A	THERMISTOR,NTC	6322W2A001A		R	1		
56324A	MAGNETRON	6324W1A001B	6324W1A001H	R	1	6324W1A001B	Change
56411A	POWER CORD ASSEMBLY	6411W2A002Z		R	1		
56501A	SENSOR ASSEMBLY	6501W1A004A		R	1		
56549C	MOTOR(CIRC),CIRCULATION	2B72066G		R	1		
56549F	MOTOR(CIRC),FAN	6549W2F017N		R	1		
56851D	CABLE ASSEMBLY	6021W3B001A	6021W3B001U	R	1	6021W3B001A	Change
568771	HARNESS	6877W1A301B	6877W1A301C	R	1		Change
568772	HARNESS	6877W2A002C		R	1		
56912B	LAMP,DRAWING	6912W3B002E		R	1		
56930V	THERMOSTAT	6930W1A002F	6930W1A003D	R	1	6930W1A002F	Change
63302A	BASE PLATE	3302W0A022A		R	1		
63303A	BASE PLATE ASSEMBLY	3303W1A045B		R	1		
65006B	CAP,BASE PLATE	5006W3A016B		R	1		
9383EA	SERVICE PARTS	-	383EW1A081A				Add
948501	CUSHION	3B72244C		R	1		
WMT002	SCREW MACHINE,TRUSS HEAD	1MTC0402432		R	1		
WNH002	NUT,HEXAGON	1NHA0400018		R	2		
WNH003	NUT,HEXAGON	1NHA0400032		R	1		
WSZ002	SCREW TAP TITE(S),BINDING HEAD	1SBF0402418		R	13		
WSZ005	SCREW TAP TITE(B),PAN HEAD	1SPF0302018		R	1		
WSZ059	SCREW,DRAWING	4000W4A001A		R	2		
WSZ085	SCREW,DRAWING	4B70188C		R	3		
WSZ161	SCREW,DRAWING	-	4B75675A	R	1		Add
WSZ185	SCREW,DRAWING	1SZZW2A002A		R	2		
WSZ202	SCREW,DRAWING	1SZZW2A002D		R	1		
WTP002	SCREW TAPPING,PAN HEAD	1TPL0302018		R	2		
WTP004	SCREW TAPPING,PAN HEAD	1TPL0302418		R	10		
WTP007	SCREW TAPPING,PAN HEAD	1TPL0303118		R	1		
WTP013	SCREW TAPPING,PAN HEAD	1TPL0402418		R	4		
WTP015	SCREW TAPPING,PAN HEAD	1TPL0402618		R	1		Delete
WTP018	SCREW TAPPING,PAN HEAD	1TPL0402818		R	3		
WTT011	SCREW TAPPING,TRUSS HEAD	1TTG0402632		R	2		

R : SERVICE PARTS

**For MODEL: JE1590BH**

LOC. NO	DESCRIPTION	DIFFERENCE CHART		SVC	QTY	ALTERNATIVE PART NO.	REMARKS
		JE1590BH/01	JE1590BH/02				
WTT020	SCREW TAPPING, TRUSS HEAD	1TTL0402416		R	2		
WTT021	SCREW TAPPING, TRUSS HEAD	1TTL0402418		R	15		
WTT022	SCREW TAPPING, TRUSS HEAD	1TTL0402422		R	11		
WTT028	SCREW TAPPING, TRUSS HEAD	1TTL0402818		R	5		
WTT037	SCREW TAPPING, TRUSS HEAD	1TTL0403818		R	2		
WWP008	WASHER, PLAIN	1WPL0500032		R	1		
WWS005	WASHER, SPRING LOCK	1WSD0400032		R	1		

R : SERVICE PARTS

**For MODEL: JE1590CH**

LOC. NO	DESCRIPTION	DIFFERENCE CHART		SVC	QTY	ALTERNATIVE PART NO.	REMARKS
		JE1590CH/01	JE1590CH/02				
*01	MANUAL,OWNERS	3828W5A3768		R	1		
*03	COOK BOOK	3878W5A0027		R	1		
*07	CARD,TECHNICAL	3840W5T136A	3840W1T0020	R	1		Change
*10	BOX,YELLOW	3890W3Y159A		R	1		
13213A	DOOR FRAME ASSEMBLY	3213W0A002C		R	1		
13552A	CHOKE COVER	3552W0A002A		R	1		
13581A	DOOR ASSEMBLY	3581W0A101C	3581W0A101G	R	1	3581W0A101C	Change
13720D	PANEL,DOOR	3720W0D341C		R	1		
14026A	LATCH	4026W2A012A		R	1		
14890A	GLASS	4890W1A029F		S	1		
14970A	SPRING	4970WRA001B		R	1		
15006A	CAP,CHOKE COVER	5006W3A017A		R	1		
23572A	PANEL,CONTROL	3720W0C188C		R	1		
23790D	WINDOW,DIGITRON	3790W1A064A		R	1		
23806C	DECO,CONTROL PANEL	3806W1A109C		R	1		
24510L	LEVER	4510W1A015A		R	1		
24781S	CONTROLLER ASSEMBLY,SEMI MICOM	4781W0S034C		R	1		
249401	KNOB	4940W1A118C		S	1		
24970A	SPRING	4B72023A		R	1		
250201	BUTTON	5020W1A223C		B	1		
250202	BUTTON	5020W1A224C		B	1		
250203	BUTTON	5020W1A225C		B	1		
268711	PWB(PCB) ASSEMBLY,SUB	6871W1S281A		R	1		
268712	PWB(PCB) ASSEMBLY,SUB	6871W1S282A		R	1		
33052M	CANOPY,MICA	3052W3M022A		R	1		
33112U	OUT CASE,U-BENDING	3112W0U036F		R	1		
33390G	TRAY,GLASS	1B71961E		R	1		
33808A	COVER,BACK	3550W1A090A		R	1		
343501	RING	4B73725A		R	1		
34370T	SHAFT,TURN TABLE	4370W3A001A		R	1		
348101	BRACKET,HEATER	4810W3H003A		R	1		
348102	BRACKET,HEATER	4810W3H002A		R	1		
348103	BRACKET,HEATER	4810W3H004A		R	1		
34930R	SUPPORTER	4930W3A014A		R	2		
34930W	HOLDER,WIRE	4B72944B		R	1		
35026C	SHELF	5026W1A035D		R	1		
35264A	AIR TUNNEL	5264W1A015A	5264W1A015E	R	1		Change
35300S	HEATER,SHEATH	5300W1S006A		R	1		
35889A	ROTATING RING ASSEMBLY	5889W2A017A		R	1		
36549S	MOTOR(CIRC),SYNCHRONOUS	6549W1S013A		R	1		
36549W	MOTOR(CIRC),SYNCHRONOUS	6549WRS001P		R	1		
43500A	BOARD,LATCH	3500W1A008A		R	1		
43501A	BOARD ASSEMBLY,LATCH	3501W1A003U		R	1		
466001	SWITCH,MICRO	3B73362F		R	2	3B73362E	
466001	SWITCH,MICRO	3B73362F		R	2	6600W1K004C	
466002	SWITCH,MICRO	6600W1K001D		R	1		
466003	SWITCH,MICRO	3B73361E		R	1	6600W1K004B	
466003	SWITCH,MICRO	3B73361E		R	1	3B73361D	
50CZZH	CAPACITOR,DRAWING[HIGH VOLTAGE]	0CZZW1H002H	0CZZW1H004B	R	1	0CZZW1H002H	Change
50CZZH	CAPACITOR,DRAWING[HIGH VOLTAGE]	0CZZW1H002H	0CZZW1H004B	R	1	0CZZW1H003H	Change

R : SERVICE PARTS

**For MODEL: JE1590CH**

LOC. NO	DESCRIPTION	DIFFERENCE CHART		SVC	QTY	ALTERNATIVE PART NO.	REMARKS
		JE1590CH/01	JE1590CH/02				
50FZZA	FUSE,DRAWING	3B74133K		R	1	3B74133H	
53300G	PLATE,INNER	3300W1G088A		R	1		
53504A	CHAMBER	3300W1G087A		R	1		
53550L	COVER,LAMP	3550W3L001A		R	1		
54810C	BRACKET,CAPACITOR	4810W4C003A		R	1		
54810S	BRACKET,MOTOR	3B72717A		R	1		
54810U	BRACKET,DAMPER	4810W2U002A		R	1		
54811A	BRACKET ASSEMBLY	4811W3A016A		R	1		
54974S	GUIDE,SUCTION	4974W1S046A		R	1		
55262A	DUCT	3550W1A093B	3550W1A093A	R	1		Change
55290A	GLASS WOOL	5290W1A001A	5290W1A001B	R	1		Change
55900A	FAN	2B72279B		R	1		
55900C	FAN	5900W3A004B		R	1		
55900N	FAN	3B72559A		R	1		
56170D	TRANSFORMER,HIGH VOLTAGE	6170W1D023J	6170W1D012G	R	1	6170W1D023J	Change
56201A	FILTER ASSEMBLY(CIRC)	-	6201W2A018A	R	1		Add
56820A	FUSE HOLDER	4930W3B025B	-	R	1		Delete
56322A	THERMISTOR,NTC	6322W2A001A		R	1		
56324A	MAGNETRON	6324W1A001B	6324W1A001H	R	1	6324W1A001B	Change
56411A	POWER CORD ASSEMBLY	6411W2A002Z		R	1		
56501A	SENSOR ASSEMBLY	6501W1A004A		R	1		
56549C	MOTOR(CIRC),CIRCULATION	2B72066G		R	1		
56549F	MOTOR(CIRC),FAN	6549W2F017N		R	1		
56851D	CABLE ASSEMBLY	6021W3B001A	6021W3B001U	R	1	6021W3B001A	Change
568771	HARNESS	6877W1A301B	6877W1A301C	R	1		Change
568772	HARNESS	6877W2A002C		R	1		
56912B	LAMP,DRAWING	6912W3B002E		R	1		
56930V	THERMOSTAT	6930W1A002F	6930W1A003D	R	1	6930W1A002F	Change
63302A	BASE PLATE	3302W0A022A		R	1		
63303A	BASE PLATE ASSEMBLY	3303W1A045B		R	1		
65006B	CAP,BASE PLATE	5006W3A016B		R	1		
9383EA	SERVICE PARTS	-	383EW1A081A	R	1		Add
948501	CUSHION	3B72244C		R	1		
WMT002	SCREW MACHINE,TRUSS HEAD	1MTC0402432		R	1		
WNH002	NUT,HEXAGON	1NHA0400018		R	2		
WNH003	NUT,HEXAGON	1NHA0400032		R	1		
WSZ002	SCREW TAP TITE(S),BINDING HEAD	1SBF0402418		R	13		
WSZ005	SCREW TAP TITE(B),PAN HEAD	1SPF0302018		R	1		
WSZ059	SCREW,DRAWING	4000W4A001A		R	2		
WSZ085	SCREW,DRAWING	4B70188C		R	3		
WSZ161	SCREW,DRAWING	-	4B75675A	R	1		Add
WSZ185	SCREW,DRAWING	1SZZW2A002A		R	2		
WSZ202	SCREW,DRAWING	1SZZW2A002D		R	1		
WTP002	SCREW TAPPING,PAN HEAD	1TPL0302018		R	2		
WTP004	SCREW TAPPING,PAN HEAD	1TPL0302418		R	10		
WTP007	SCREW TAPPING,PAN HEAD	1TPL0303118		R	1		
WTP013	SCREW TAPPING,PAN HEAD	1TPL0402418		R	4		
WTP015	SCREW TAPPING,PAN HEAD	1TPL0402618		R	1		Delete
WTP018	SCREW TAPPING,PAN HEAD	1TPL0402818		R	3		
WTT010	SCREW TAPPING,TRUSS HEAD	1TTG0402422		R	2		

R : SERVICE PARTS

**For MODEL: JE1590CH**

LOC. NO	DESCRIPTION	DIFFERENCE CHART		SVC	QTY	ALTERNATIVE PART NO.	REMARKS
		JE1590CH/01	JE1590CH/02				
WTT011	SCREW TAPPING, TRUSS HEAD	1TTG0402632		R	2		
WTT021	SCREW TAPPING, TRUSS HEAD	1TTL0402418		R	15		
WTT022	SCREW TAPPING, TRUSS HEAD	1TTL0402422		R	11		
WTT028	SCREW TAPPING, TRUSS HEAD	1TTL0402818		R	5		
WTT037	SCREW TAPPING, TRUSS HEAD	1TTL0403818		R	2		
WWP008	WASHER, PLAIN	1WPL0500032		R	1		
WWS005	WASHER, SPRING LOCK	1WSD0400032		R	1		

R : SERVICE PARTS

**For MODEL: JE1590SH**

LOC. NO	DESCRIPTION	DIFFERENCE CHART		SVC	QTY	ALTERNATIVE PART NO.	REMARKS
		JE1590SH/01	JE1590SH/02				
*01	MANUAL,OWNERS	3828W5A3768		R	1		
*03	COOK BOOK	3878W5A0027		R	1		
*07	CARD,TECHNICAL	3840W5T136A	3840W1T0020	R	1		Change
*10	BOX,YELLOW	3890W3Y159A		R	1		
13213A	DOOR FRAME ASSEMBLY	3213W0A002C		R	1		
13551A	SERVICE PARTS(DOOR STS ASSY)	383EW5A167A		R	1		
13552A	CHOKE COVER	3552W0A002A		R	1		
13581A	DOOR ASSEMBLY	3581W0A101D	3581W0A101H	R	1	3581W0A101D	Change
14026A	LATCH	4026W2A012A		R	1		
14890A	GLASS	4890W1A029F		S	1		
14970A	SPRING	4970WRA001B		R	1		
15006A	CAP,CHOKE COVER	5006W3A017A		R	1		
23551A	SERVICE PARTS	383EW5A168A		R	1		
23551B	SERVICE PARTS	383EW5A169A		R	1		
23790D	WINDOW,DIGITRON	3790W1A064A		R	1		
24510L	LEVER	4510W1A015A		R	1		
24781S	CONTROLLER ASSEMBLY,SEMI MICOM	4781W0S034D		R	1		
249401	KNOB	4940W1A118D		S	1		
24970A	SPRING	4B72023A		R	1		
250201	BUTTON	5020W1A223D		R	1		
250202	BUTTON	5020W1A224D		B	1		
268711	PWB(PCB) ASSEMBLY,SUB	6871W1S281A		R	1		
268712	PWB(PCB) ASSEMBLY,SUB	6871W1S282A		R	1		
33052M	CANOPY,MICA	3052W3M022A		R	1		
33112U	OUT CASE,U-BENDING	3112W0U036G		R	1		
33390G	TRAY,GLASS	1B71961E		R	1		
33808A	COVER,BACK	3550W1A090A		R	1		
343501	RING	4B73725A		R	1		
34370T	SHAFT,TURN TABLE	4370W3A001A		R	1		
348101	BRACKET,HEATER	4810W3H003A		R	1		
348102	BRACKET,HEATER	4810W3H002A		R	1		
348103	BRACKET,HEATER	4810W3H004A		R	1		
34930R	SUPPORTER	4930W3A014A		R	2		
34930W	HOLDER,WIRE	4B72944B		R	1		
35026C	SHELF	5026W1A035D		R	1		
35264A	AIR TUNNEL	5264W1A015A	5264W1A015E	R	1		Change
35300S	HEATER,SHEATH	5300W1S006A		R	1		
35889A	ROTATING RING ASSEMBLY	5889W2A017A		R	1		
36549S	MOTOR(CIRC),SYNCHRONOUS	6549W1S013A		R	1		
36549W	MOTOR(CIRC),SYNCHRONOUS	6549WRS001P		R	1		
43500A	BOARD,LATCH	3500W1A008A		R	1		
43501A	BOARD ASSEMBLY,LATCH	3501W1A003U		R	1		
466001	SWITCH,MICRO	3B73362F		R	2	3B73362E	
466001	SWITCH,MICRO	3B73362F		R	2	6600W1K004C	
466002	SWITCH,MICRO	6600W1K001D		R	1		
466003	SWITCH,MICRO	3B73361E		R	1	6600W1K004B	
466003	SWITCH,MICRO	3B73361E		R	1	3B73361D	
50CZZH	CAPACITOR,DRAWING[HIGH VOLTAGE]	0CZZW1H002H	0CZZW1H004B	R	1	0CZZW1H002H	Change
50CZZH	CAPACITOR,DRAWING[HIGH VOLTAGE]	0CZZW1H002H	0CZZW1H004B	R	1	0CZZW1H003H	
50FZZA	FUSE,DRAWING	3B74133K		R	1	3B74133H	

R : SERVICE PARTS



**For MODEL: JE1590SH**

LOC. NO	DESCRIPTION	DIFFERENCE CHART		SVC	QTY	ALTERNATIVE PART NO.	REMARKS
		JE1590SH/01	JE1590SH/02				
53300G	PLATE,INNER	3300W1G088A		R	1		
53504A	CHAMBER	3300W1G087A		R	1		
53550L	COVER,LAMP	3550W3L001A		R	1		
54810C	BRACKET,CAPACITOR	4810W4C003A		R	1		
54810S	BRACKET,MOTOR	3B72717A		R	1		
54810U	BRACKET,DAMPER	4810W2U002A		R	1		
54811A	BRACKET ASSEMBLY	4811W3A016A		R	1		
54974S	GUIDE,SUCTION	4974W1S046A		R	1		
55262A	DUCT	3550W1A093B	3550W1A093A	R	1		Change
55290A	GLASS WOOL	5290W1A001A	5290W1A001B	R	1		Change
55900A	FAN	2B72279B		R	1		
55900C	FAN	5900W3A004B		R	1		
55900N	FAN	3B72559A		R	1		
56170D	TRANSFORMER,HIGH VOLTAGE	6170W1D023J	6170W1D012G	R	1	6170W1D023J	Change
56201A	FILTER ASSEMBLY(CIRC)	-	6201W2A018A	R	1		Add
56820A	FUSE HOLDER	4930W3B025B	-	R	1		Delete
56322A	THERMISTOR,NTC	6322W2A001A		R	1		
56324A	MAGNETRON	6324W1A001B	6324W1A001H	R	1	6324W1A001B	Change
56411A	POWER CORD ASSEMBLY	6411W2A002Z		R	1		
56501A	SENSOR ASSEMBLY	6501W1A004A		R	1		
56549C	MOTOR(CIRC),CIRCULATION	2B72066G		R	1		
56549F	MOTOR(CIRC),FAN	6549W2F017N		R	1		
56851D	CABLE ASSEMBLY	6021W3B001A	6021W3B001U	R	1	6021W3B001A	Change
568771	HARNESS	6877W1A301B	6877W1A301C	R	1		Change
568772	HARNESS	6877W2A002C		R	1		
56912B	LAMP,DRAWING	6912W3B002E		R	1		
56930V	THERMOSTAT	6930W1A002F	6930W1A003D	R	1	6930W1A002F	Change
63302A	BASE PLATE	3302W0A022A		R	1		
63303A	BASE PLATE ASSEMBLY	3303W1A045B		R	1		
65006B	CAP,BASE PLATE	5006W3A016B		R	1		
9383EA	SERVICE PARTS	-	383EW1A081A	R	1		Add
948501	CUSHION	3B72244C		R	1		
WMT002	SCREW MACHINE,TRUSS HEAD	1MTC0402432		R	1		
WNH002	NUT,HEXAGON	1NHA0400018		R	2		
WNH003	NUT,HEXAGON	1NHA0400032		R	1		
WSZ002	SCREW TAP TITE(S),BINDING HEAD	1SBF0402418		R	13		
WSZ005	SCREW TAP TITE(B),PAN HEAD	1SPF0302018		R	1		
WSZ059	SCREW,DRAWING	4000W4A001A		R	2		
WSZ085	SCREW,DRAWING	4B70188C		R	3		
WSZ161	SCREW,DRAWING	-	4B75675A	R	1		Add
WSZ185	SCREW,DRAWING	1SZZW2A002A		R	2		
WSZ202	SCREW,DRAWING	1SZZW2A002D		R	1		
WTP002	SCREW TAPPING,PAN HEAD	1TPL0302018		R	2		
WTP004	SCREW TAPPING,PAN HEAD	1TPL0302418		R	10		
WTP007	SCREW TAPPING,PAN HEAD	1TPL0303118		R	1		
WTP013	SCREW TAPPING,PAN HEAD	1TPL0402418		R	4		
WTP015	SCREW TAPPING,PAN HEAD	1TPL0402618		R	1		Delete
WTP018	SCREW TAPPING,PAN HEAD	1TPL0402818		R	3		
WTT011	SCREW TAPPING,TRUSS HEAD	1TTG0402632		R	2		
WTT020	SCREW TAPPING,TRUSS HEAD	1TTL0402416		R	2		

R : SERVICE PARTS

**For MODEL: JE1590SH**

LOC. NO	DESCRIPTION	DIFFERENCE CHART		SVC	QTY	ALTERNATIVE PART NO.	REMARKS
		JE1590SH/01	JE1590SH/02				
WTT021	SCREW TAPPING, TRUSS HEAD	1TTL0402418		R	15		
WTT022	SCREW TAPPING, TRUSS HEAD	1TTL0402422		R	11		
WTT028	SCREW TAPPING, TRUSS HEAD	1TTL0402818		R	5		
WTT037	SCREW TAPPING, TRUSS HEAD	1TTL0403818		R	2		
WWP008	WASHER, PLAIN	1WPL0500032		R	1		
WWS005	WASHER, SPRING LOCK	1WSD0400032		R	1		

R : SERVICE PARTS

**For MODEL: JE1590WH**

LOC. NO	DESCRIPTION	DIFFERENCE CHART		SVC	QTY	ALTERNATIVE PART NO.	REMARKS
		JE1590WH/01	JE1590WH/02				
*01	MANUAL,OWNERS	3828W5A3768		R	1		
*03	COOK BOOK	3878W5A0027		R	1		
*07	CARD,TECHNICAL	3840W5T136A	3840W1T0020	R	1		Change
*10	BOX,YELLOW	3890W3Y159A		R	1		
13213A	DOOR FRAME ASSEMBLY	3213W0A002C		R	1		
13552A	CHOKE COVER	3552W0A002A		R	1		
13581A	DOOR ASSEMBLY	3581W0A101A	3581W0A101E	R	1	3581W0A101A	Change
13720D	PANEL,DOOR	3720W0D341A		R	1		
14026A	LATCH	4026W2A012A		R	1		
14890A	GLASS	4890W1A029F		S	1		
14970A	SPRING	4970WRA001B		R	1		
15006A	CAP,CHOKE COVER	5006W3A017A		R	1		
23572A	PANEL,CONTROL	3720W0C188A		R	1		
23790D	WINDOW,DIGITRON	3790W1A064A		R	1		
23806C	DECO,CONTROL PANEL	3806W1A109A		R	1		
24510L	LEVER	4510W1A015A		R	1		
24781S	CONTROLLER ASSEMBLY,SEMI MICOM	4781W0S034A		R	1		
249401	KNOB	4940W1A118A		S	1		
24970A	SPRING	4B72023A		R	1		
250201	BUTTON	5020W1A223A		B	1		
250202	BUTTON	5020W1A224A		B	1		
250203	BUTTON	5020W1A225A		B	1		
268711	PWB(PCB) ASSEMBLY,SUB	6871W1S281A		R	1		
268712	PWB(PCB) ASSEMBLY,SUB	6871W1S282A		R	1		
33052M	CANOPY,MICA	3052W3M022A		R	1		
33112U	OUT CASE,U-BENDING	3112W0U036D		R	1		
33390G	TRAY,GLASS	1B71961E		R	1		
33808A	COVER,BACK	3550W1A090A		R	1		
343501	RING	4B73725A		R	1		
34370T	SHAFT,TURN TABLE	4370W3A001A		R	1		
348101	BRACKET,HEATER	4810W3H003A		R	1		
348102	BRACKET,HEATER	4810W3H002A		R	1		
348103	BRACKET,HEATER	4810W3H004A		R	1		
34930R	SUPPORTER	4930W3A014A		R	2		
34930W	HOLDER,WIRE	4B72944B		R	1		
35026C	SHELF	5026W1A035D		R	1		
35264A	AIR TUNNEL	5264W1A015A	5264W1A015E	R	1		Change
35300S	HEATER,SHEATH	5300W1S006A		R	1		
35889A	ROTATING RING ASSEMBLY	5889W2A017A		R	1		
36549S	MOTOR(CIRC),SYNCHRONOUS	6549W1S013A		R	1		
36549W	MOTOR(CIRC),SYNCHRONOUS	6549WRS001P		R	1		
43500A	BOARD,LATCH	3500W1A008A		R	1		
43501A	BOARD ASSEMBLY,LATCH	3501W1A003U		R	1		
466001	SWITCH,MICRO	3B73362F		R	2	3B73362E	
466001	SWITCH,MICRO	3B73362F		R	2	6600W1K004C	
466002	SWITCH,MICRO	6600W1K001D		R	1		
466003	SWITCH,MICRO	3B73361E		R	1	6600W1K004B	
466003	SWITCH,MICRO	3B73361E		R	1	3B73361D	
50CZZH	CAPACITOR,DRAWING[HIGH VOLTAGE]	0CZZW1H002H	0CZZW1H004B	R	1	0CZZW1H002H	Change
50CZZH	CAPACITOR,DRAWING[HIGH VOLTAGE]	0CZZW1H002H	0CZZW1H004B	R	1	0CZZW1H003H	Change

R : SERVICE PARTS

**For MODEL: JE1590WH**

LOC. NO	DESCRIPTION	DIFFERENCE CHART		SVC	QTY	ALTERNATIVE PART NO.	REMARKS
		JE1590WH/01	JE1590WH/02				
50FZZA	FUSE,DRAWING	3B74133K		R	1	3B74133H	
53300G	PLATE,INNER	3300W1G088A		R	1		
53504A	CHAMBER	3300W1G087A		R	1		
53550L	COVER,LAMP	3550W3L001A		R	1		
54810C	BRACKET,CAPACITOR	4810W4C003A		R	1		
54810S	BRACKET,MOTOR	3B72717A		R	1		
54810U	BRACKET,DAMPER	4810W2U002A		R	1		
54811A	BRACKET ASSEMBLY	4811W3A016A		R	1		
54974S	GUIDE,SUCTION	4974W1S046A		R	1		
55262A	DUCT	3550W1A093B	3550W1A093A	R	1		Change
55290A	GLASS WOOL	5290W1A001A	5290W1A001B	R	1		Change
55900A	FAN	2B72279B		R	1		
55900C	FAN	5900W3A004B		R	1		
55900N	FAN	3B72559A		R	1		
56170D	TRANSFORMER,HIGH VOLTAGE	6170W1D023J	6170W1D012G	R	1	6170W1D023J	Change
56201A	FILTER ASSEMBLY(CIRC)	-	6201W2A018A	R	1		Add
56820A	FUSE HOLDER	4930W3B025B	-	R	1	4930W3B025A	Delete
56322A	THERMISTOR,NTC	6322W2A001A		R	1		
56324A	MAGNETRON	6324W1A001B	6324W1A001H	R	1	6324W1A001B	Change
56411A	POWER CORD ASSEMBLY	6411W2A002Z		R	1		
56501A	SENSOR ASSEMBLY	6501W1A004A		R	1		
56549C	MOTOR(CIRC),CIRCULATION	2B72066G		R	1		
56549F	MOTOR(CIRC),FAN	6549W2F017N		R	1		
56851D	CABLE ASSEMBLY	6021W3B001A	6021W3B001U	R	1	6021W3B001A	Change
568771	HARNESS	6877W1A301B	6877W1A301C	R	1		Change
568772	HARNESS	6877W2A002C		R	1		
56912B	LAMP,DRAWING	6912W3B002E		R	1		
56930V	THERMOSTAT	6930W1A002F	6930W1A003D	R	1	6930W1A002F	Change
63302A	BASE PLATE	3302W0A022A		R	1		
63303A	BASE PLATE ASSEMBLY	3303W1A045B		R	1		
65006B	CAP,BASE PLATE	5006W3A016B		R	1		
9383EA	SERVICE PARTS(HARD WARE BAG)	-	383EW1A081A	R	1		Add
948501	CUSHION	3B72244C		R	1		
WMT002	SCREW MACHINE,TRUSS HEAD	1MTC0402432		R	1		
WNH002	NUT,HEXAGON	1NHA0400018		R	2		
WNH003	NUT,HEXAGON	1NHA0400032		R	1		
WSZ002	SCREW TAP TITE(S),BINDING HEAD	1SBF0402418		R	13		
WSZ005	SCREW TAP TITE(B),PAN HEAD	1SPF0302018		R	1		
WSZ059	SCREW,DRAWING	4000W4A001A		R	2		
WSZ085	SCREW,DRAWING	4B70188C		R	3		
WSZ161	SCREW,DRAWING	-	4B75675A	R	1		Add
WSZ185	SCREW,DRAWING	1SZZW2A002A		R	2		
WSZ202	SCREW,DRAWING	1SZZW2A002D		R	1		
WTP002	SCREW TAPPING,PAN HEAD	1TPL0302018		R	2		
WTP004	SCREW TAPPING,PAN HEAD	1TPL0302418		R	10		
WTP007	SCREW TAPPING,PAN HEAD	1TPL0303118		R	1		
WTP013	SCREW TAPPING,PAN HEAD	1TPL0402418		R	4		
WTP015	SCREW TAPPING,PAN HEAD	1TPL0402618		R	1		Delete
WTP018	SCREW TAPPING,PAN HEAD	1TPL0402818		R	3		
WTT010	SCREW TAPPING,TRUSS HEAD	1TTG0402422		R	2		

R : SERVICE PARTS

**For MODEL: JE1590WH**

LOC. NO	DESCRIPTION	DIFFERENCE CHART		SVC	QTY	ALTERNATIVE PART NO.	REMARKS
		JE1590WH/01	JE1590WH/02				
WTT011	SCREW TAPPING, TRUSS HEAD	1TTG0402632		R	2		
WTT021	SCREW TAPPING, TRUSS HEAD	1TTL0402418		R	15		
WTT022	SCREW TAPPING, TRUSS HEAD	1TTL0402422		R	11		
WTT028	SCREW TAPPING, TRUSS HEAD	1TTL0402818		R	5		
WTT037	SCREW TAPPING, TRUSS HEAD	1TTL0403818		R	2		
WWP008	WASHER, PLAIN	1WPL0500032		R	1		
WWS005	WASHER, SPRING LOCK	1WSD0400032		R	1		

R : SERVICE PARTS