

This Owner's Manual is provided and hosted by [Appliance Factory Parts](#).

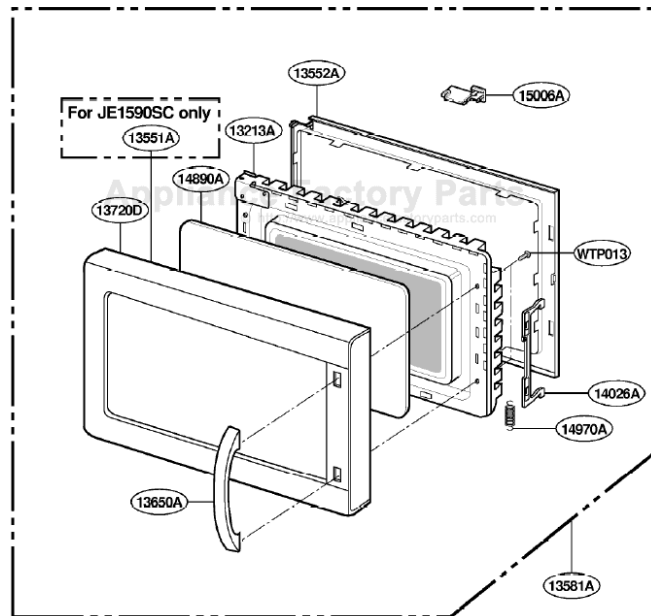


# GE JE1590CC01 Owner's Manual

[Shop genuine replacement parts for GE JE1590CC01](#)

## DOOR PARTS

MODEL: JE1590



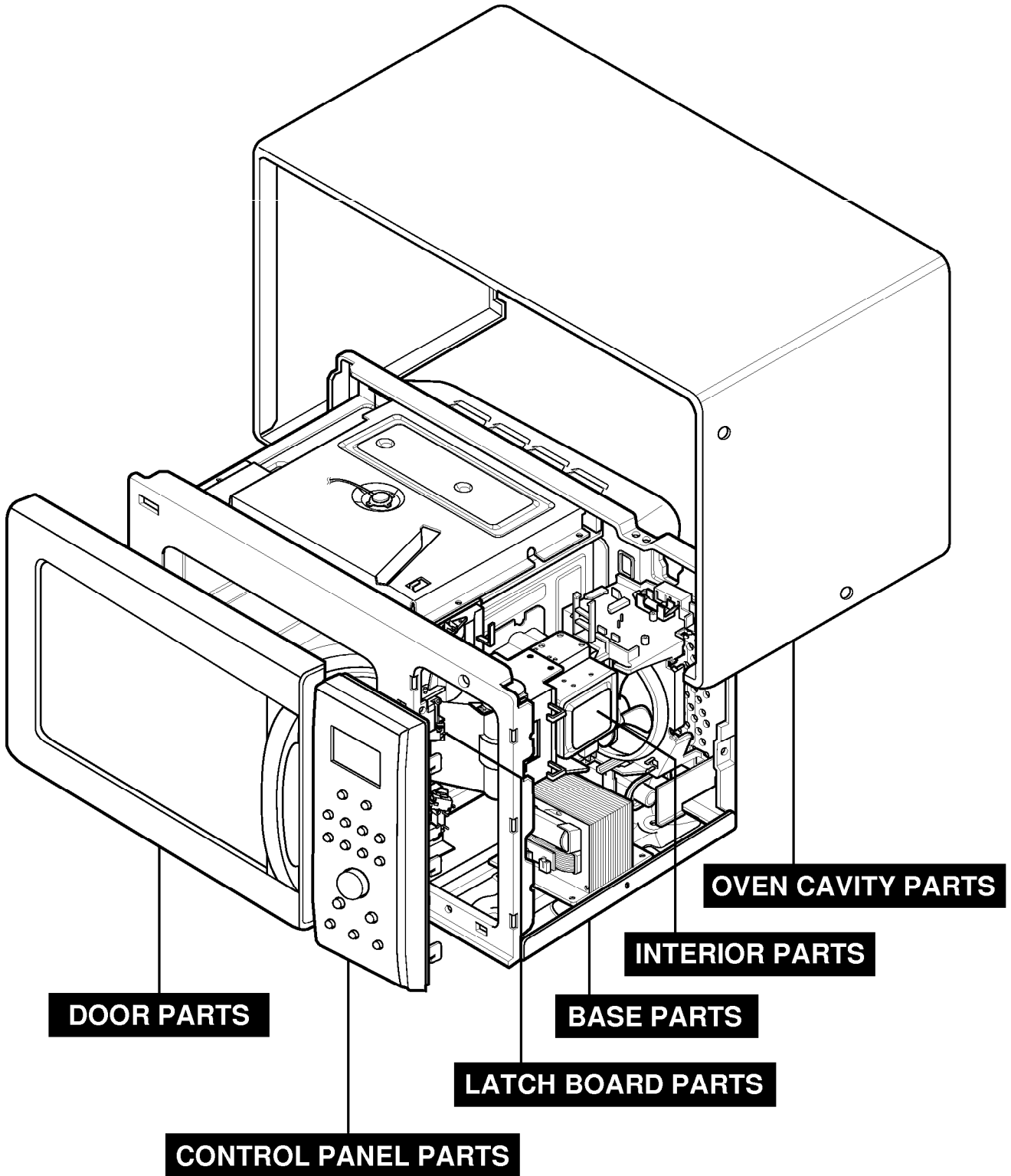
[Find Your GE Microwave Parts - Select From 3055 Models](#)

----- Manual continues below -----

# EXPLODED VIEW

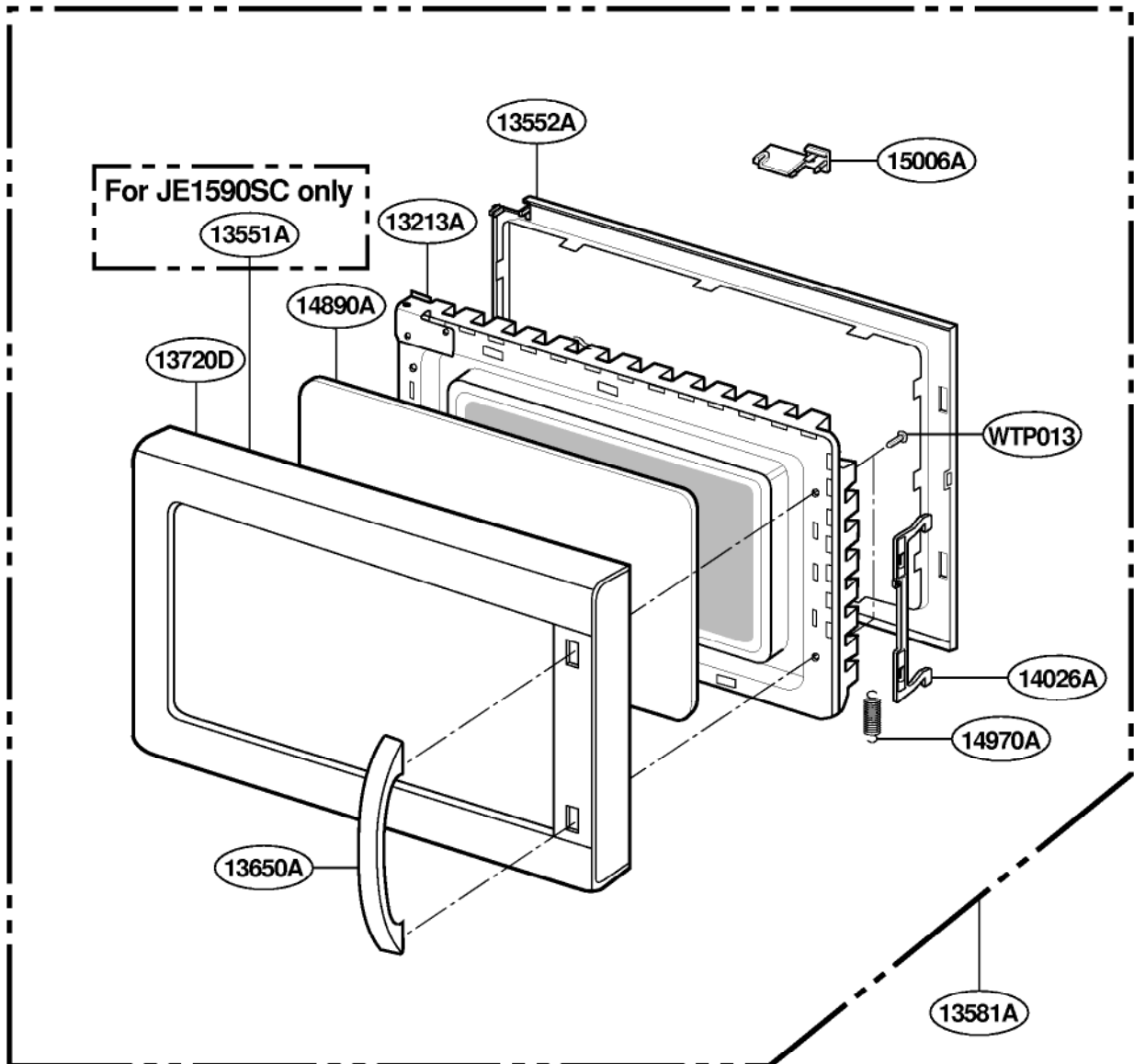
## INTRODUCTION

MODEL: JE1590



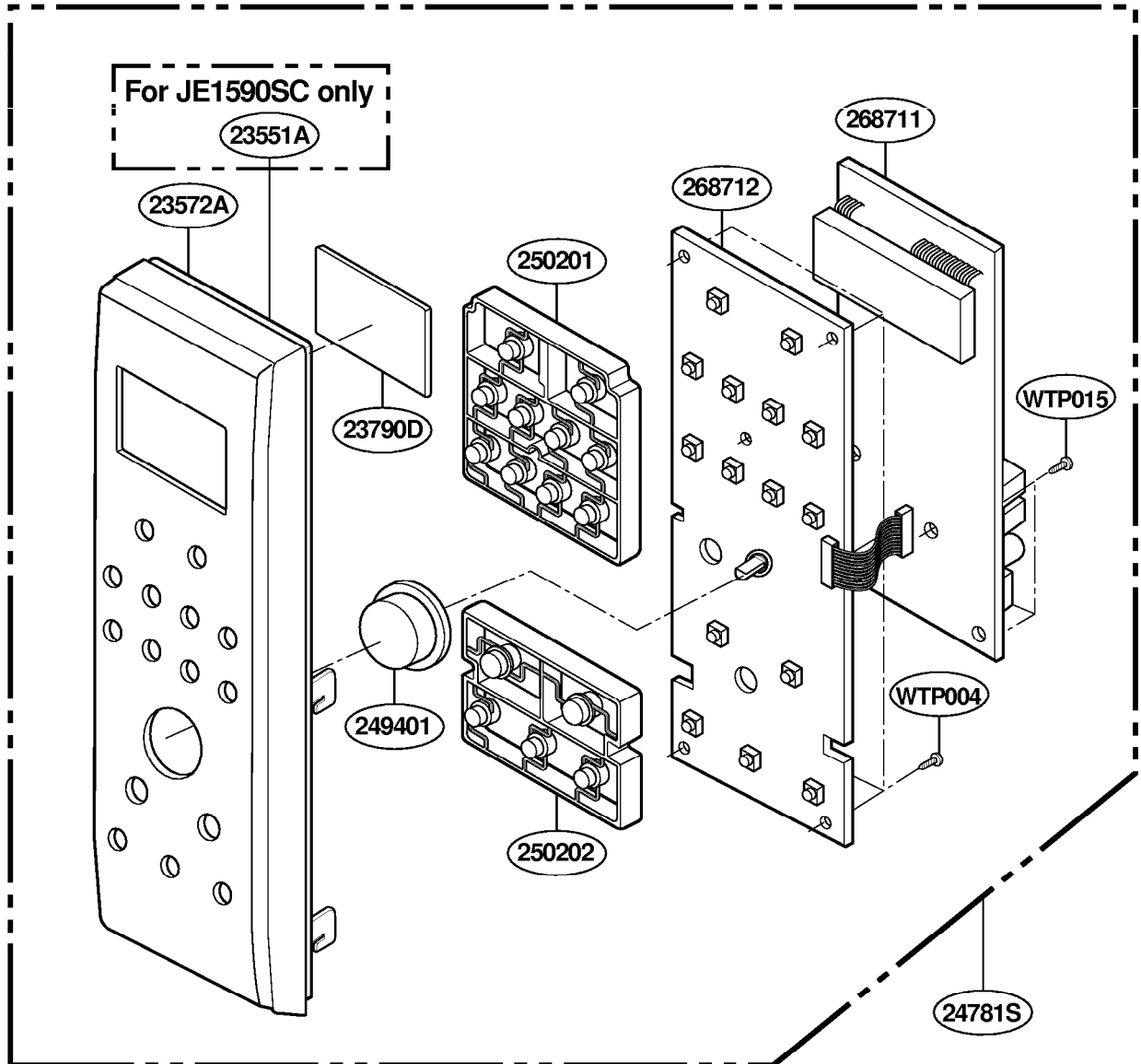
# DOOR PARTS

MODEL: JE1590



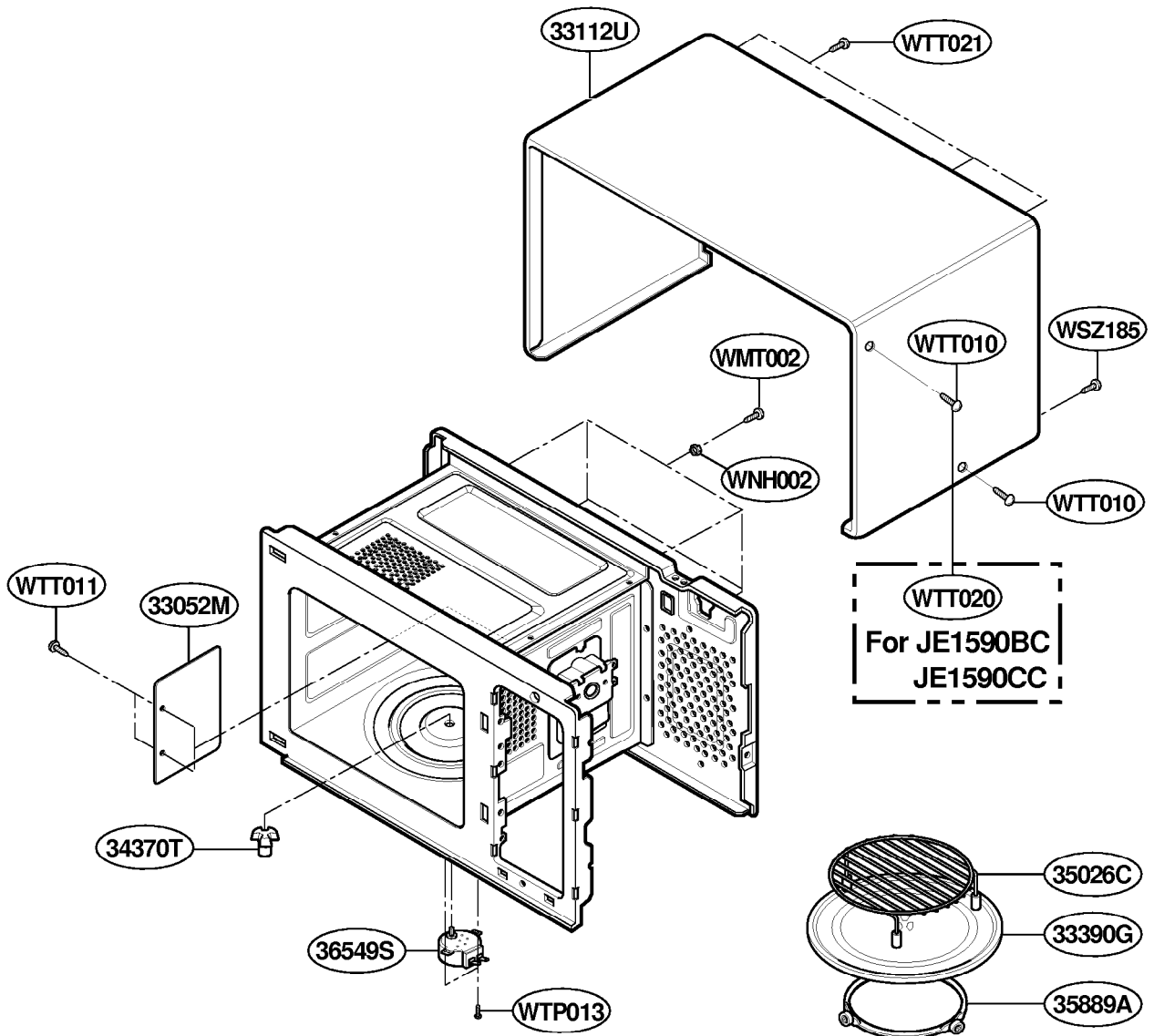
# CONTROLLER PARTS

MODEL: JE1590



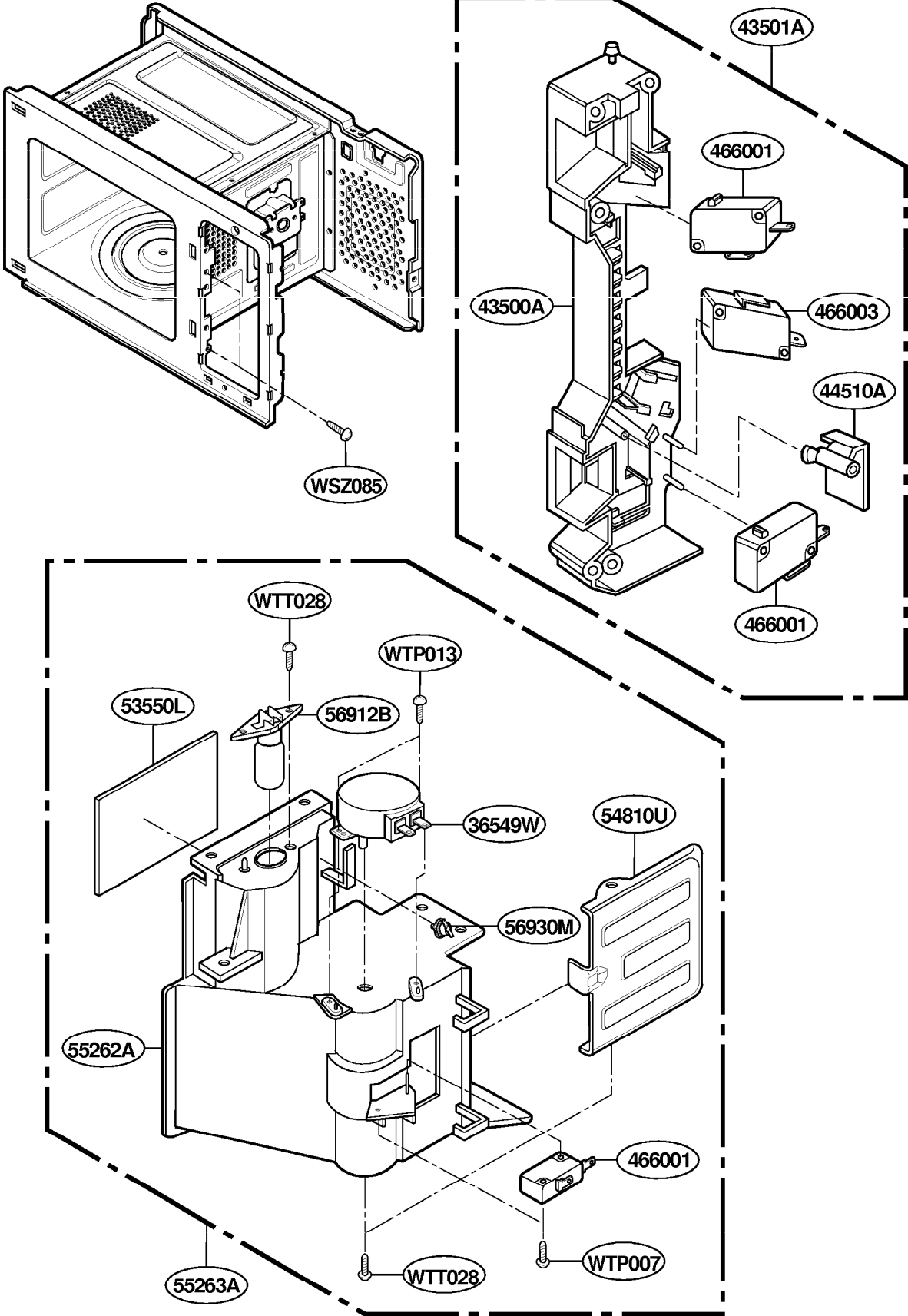
# OVEN CAVITY PARTS

MODEL: JE1590



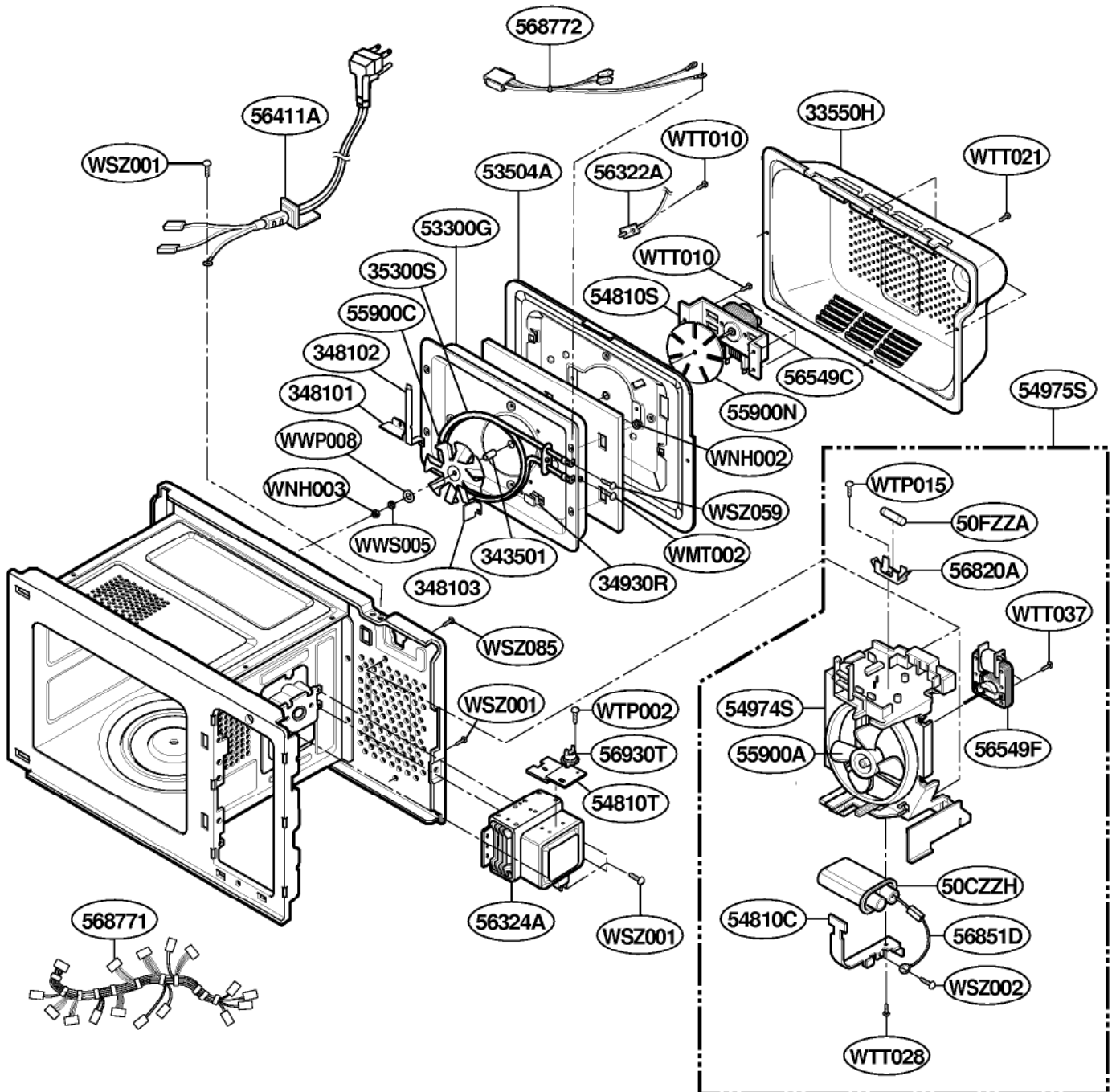
# LATCH BOARD PARTS

MODEL: JE1590



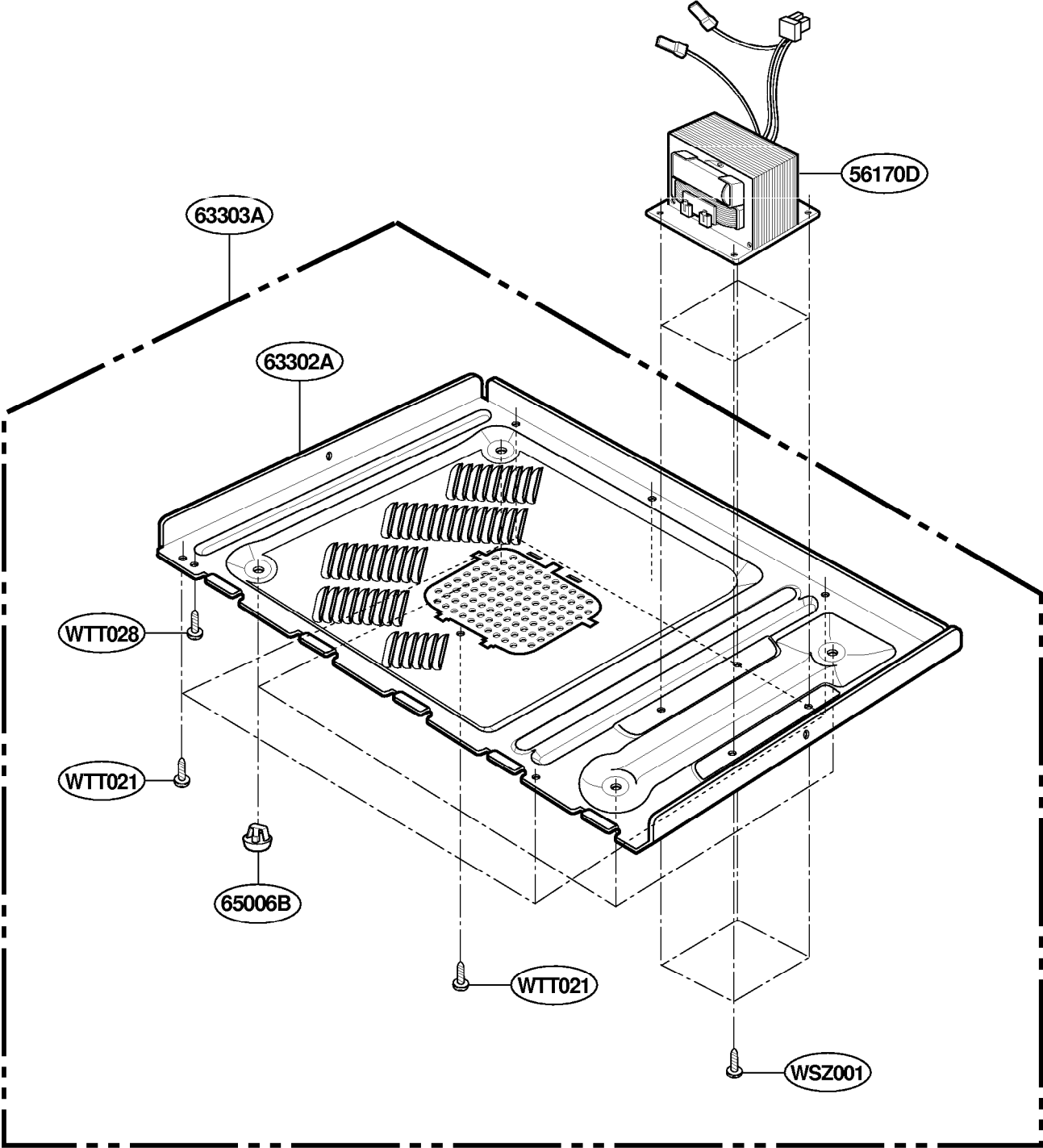
# INTERIOR PARTS

MODEL: JE1590



# BASE PLATE PARTS

MODEL: JE1590



# SENSOR PARTS

MODEL: JE1590

