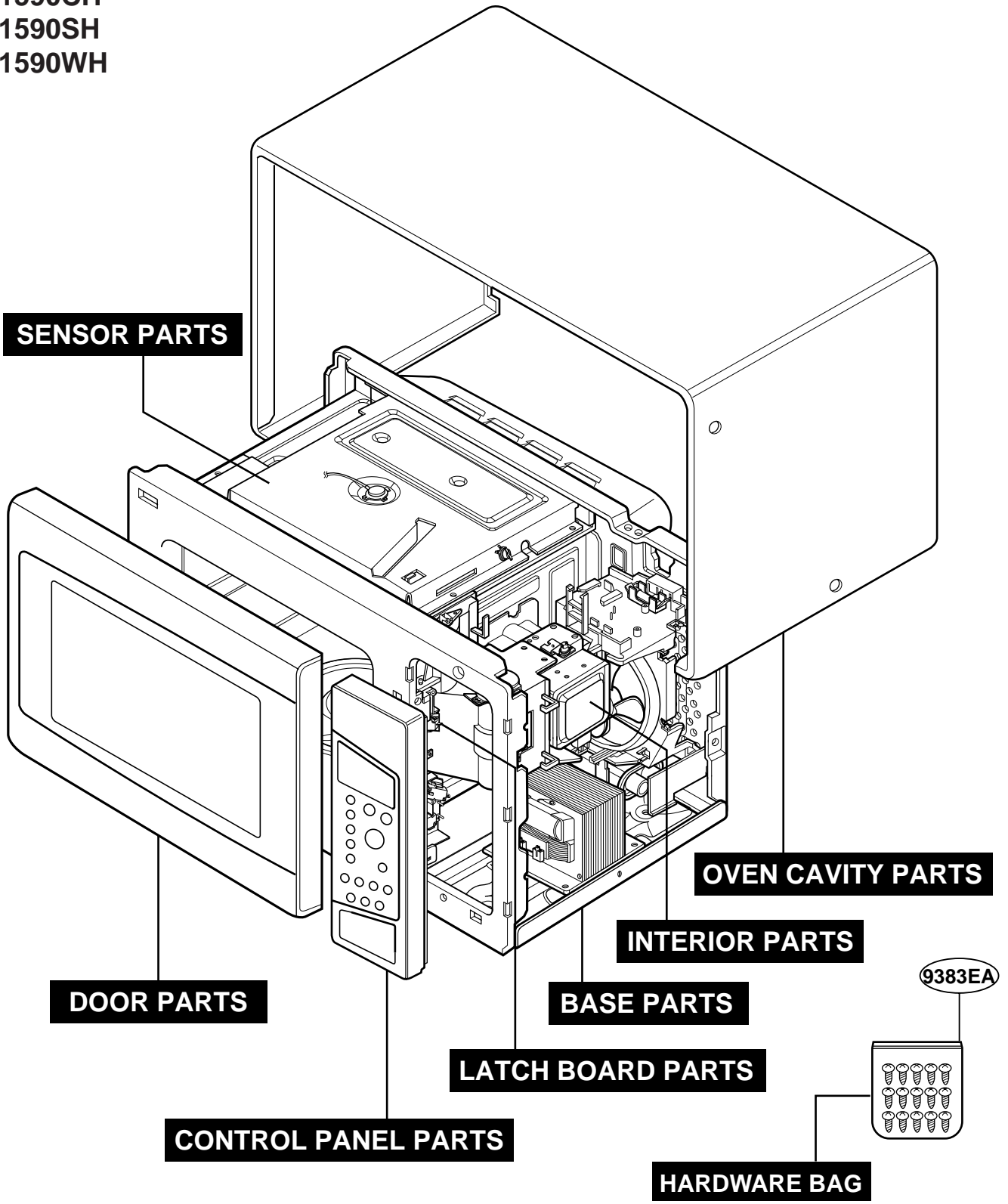


EXPLODED VIEW

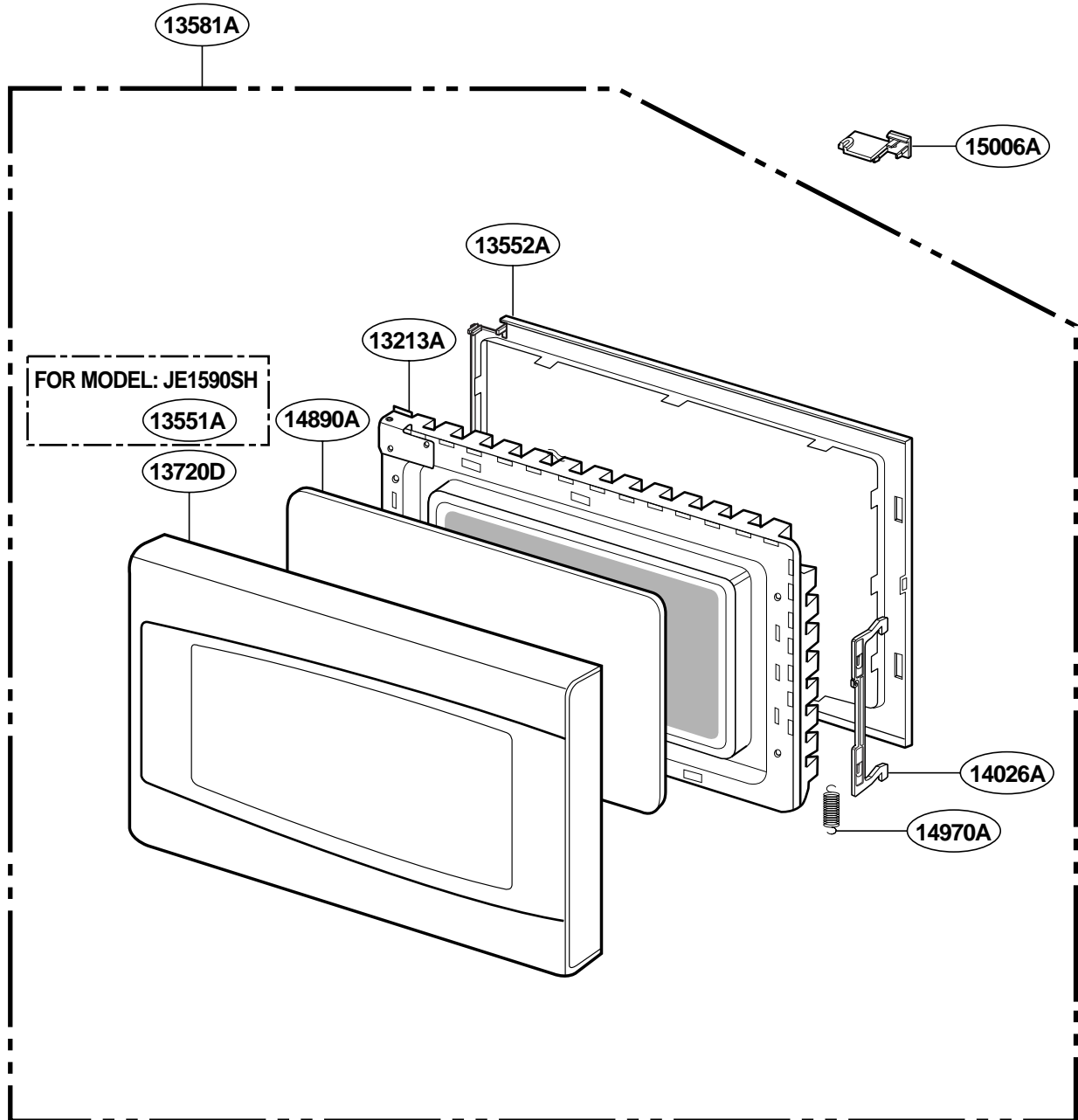
INTRODUCTION

JE1590BH
JE1590CH
JE1590SH
JE1590WH



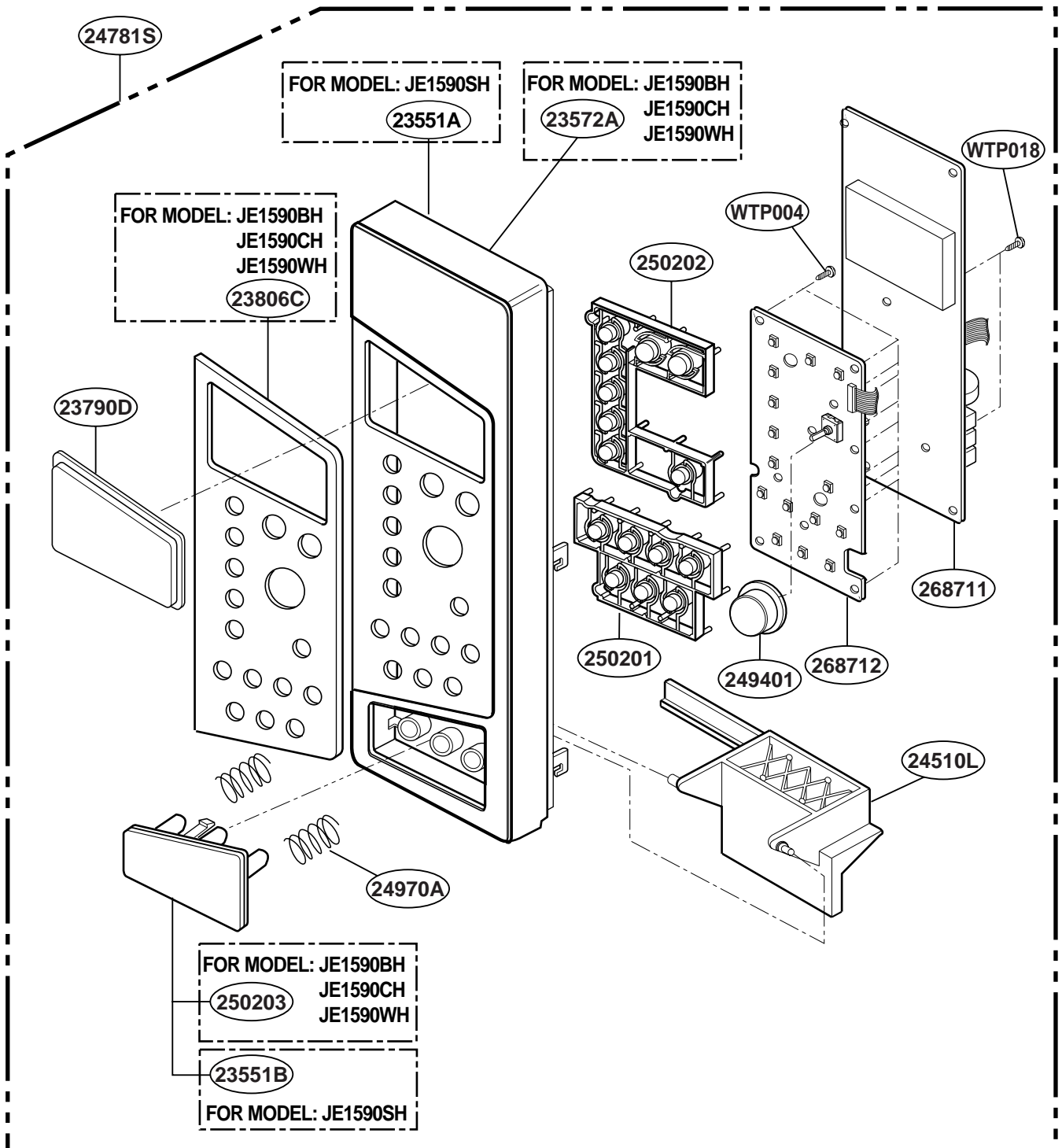
DOOR PARTS

JE1590BH
JE1590CH
JE1590SH
JE1590WH



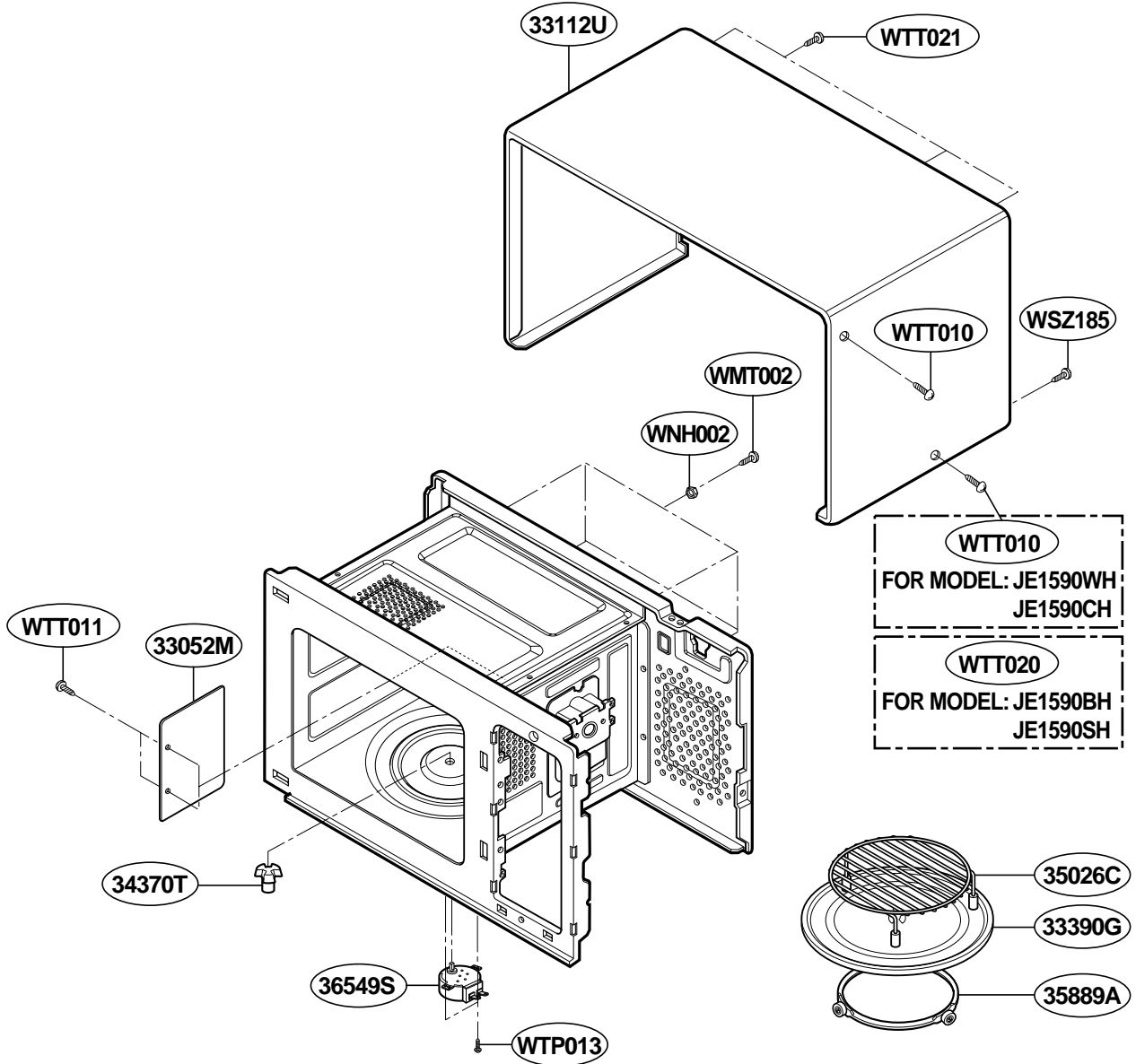
CONTROLLER PARTS

JE1590BH
JE1590CH
JE1590SH
JE1590WH



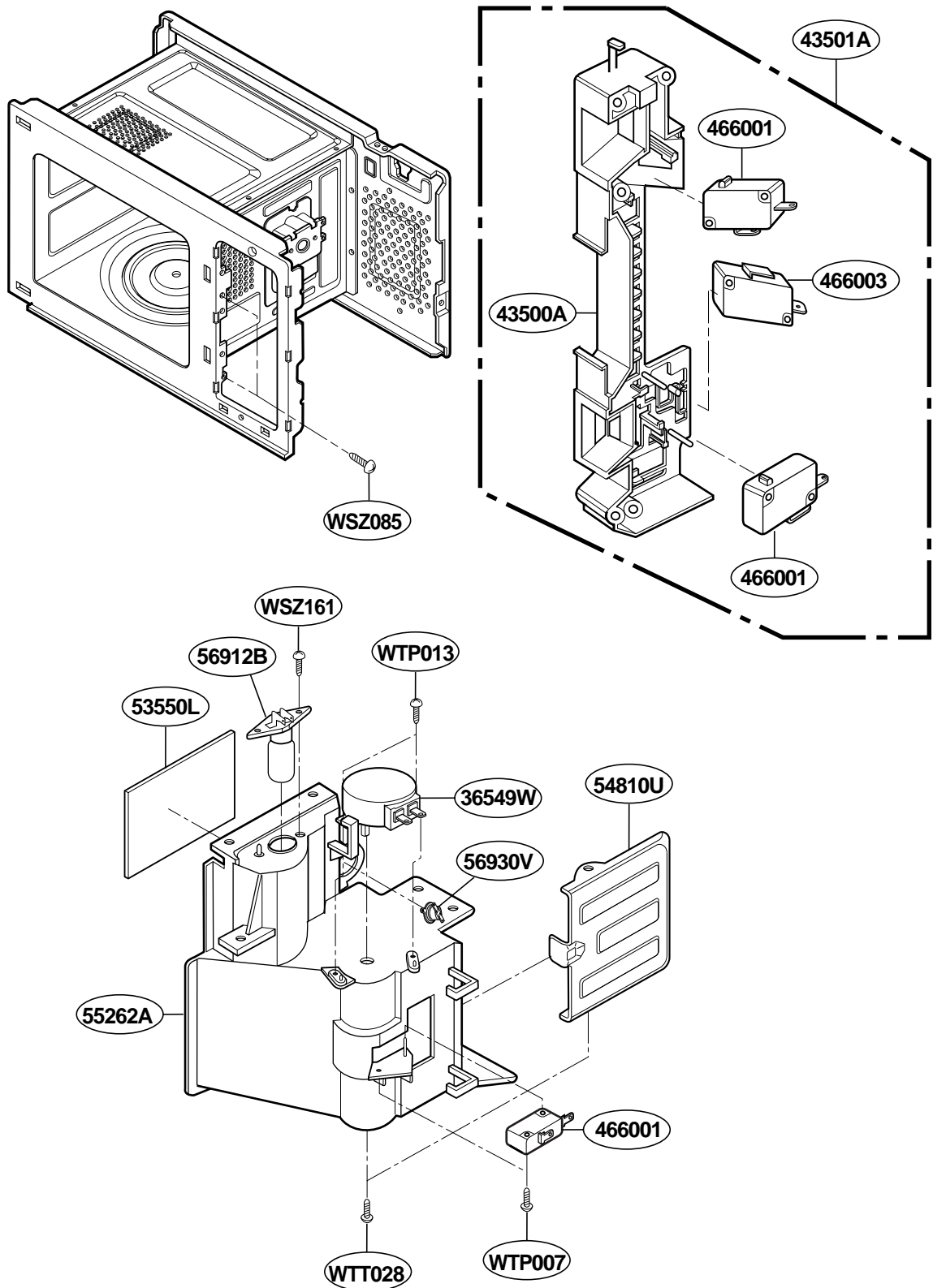
OVEN CAVITY PARTS

JE1590BH
JE1590CH
JE1590SH
JE1590WH



LATCH BOARD PARTS

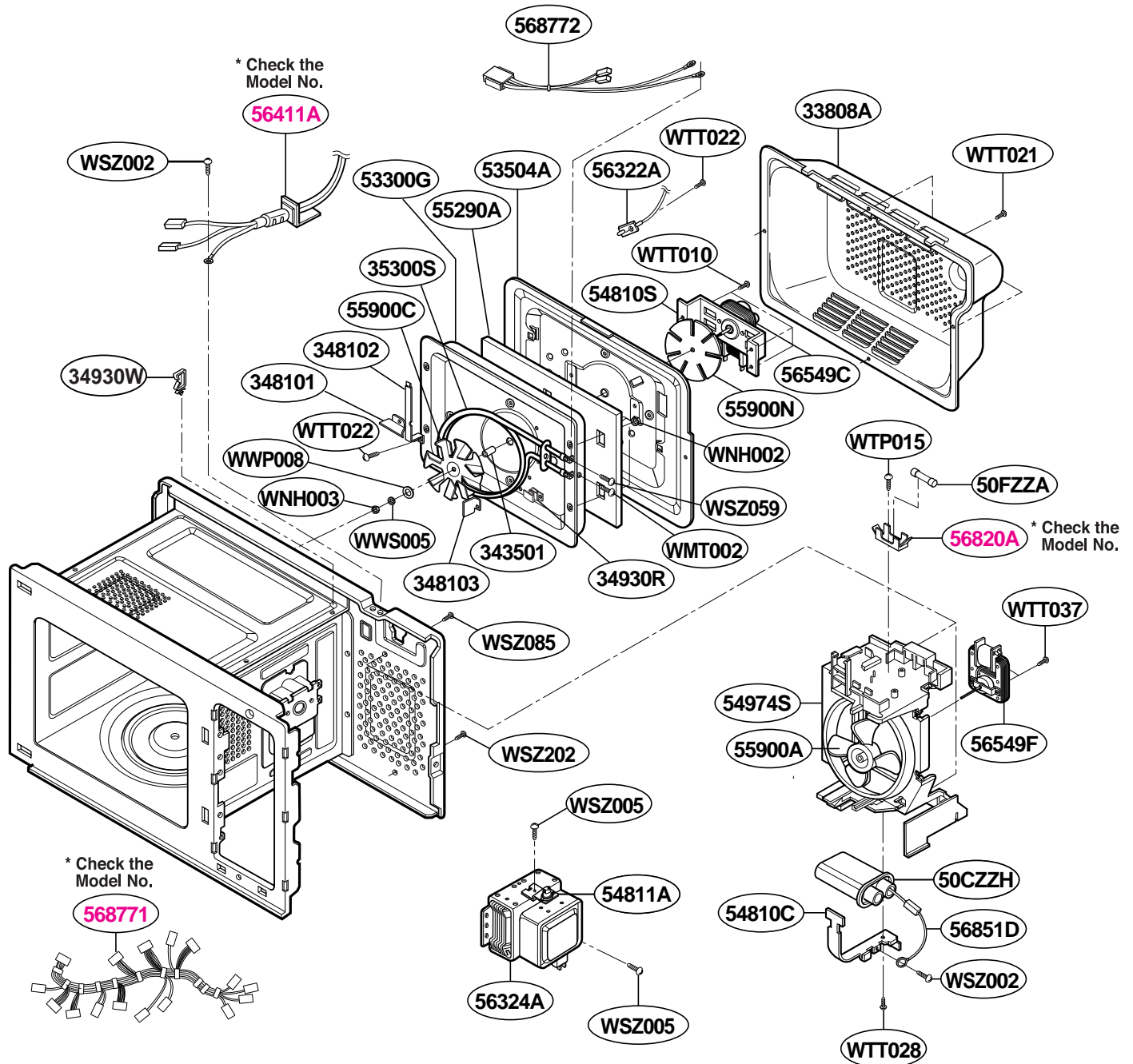
JE1590BH
JE1590CH
JE1590SH
JE1590WH



INTERIOR PARTS(I)

- JE1590BH01
- JE1590CH01
- JE1590SH01
- JE1590WH01

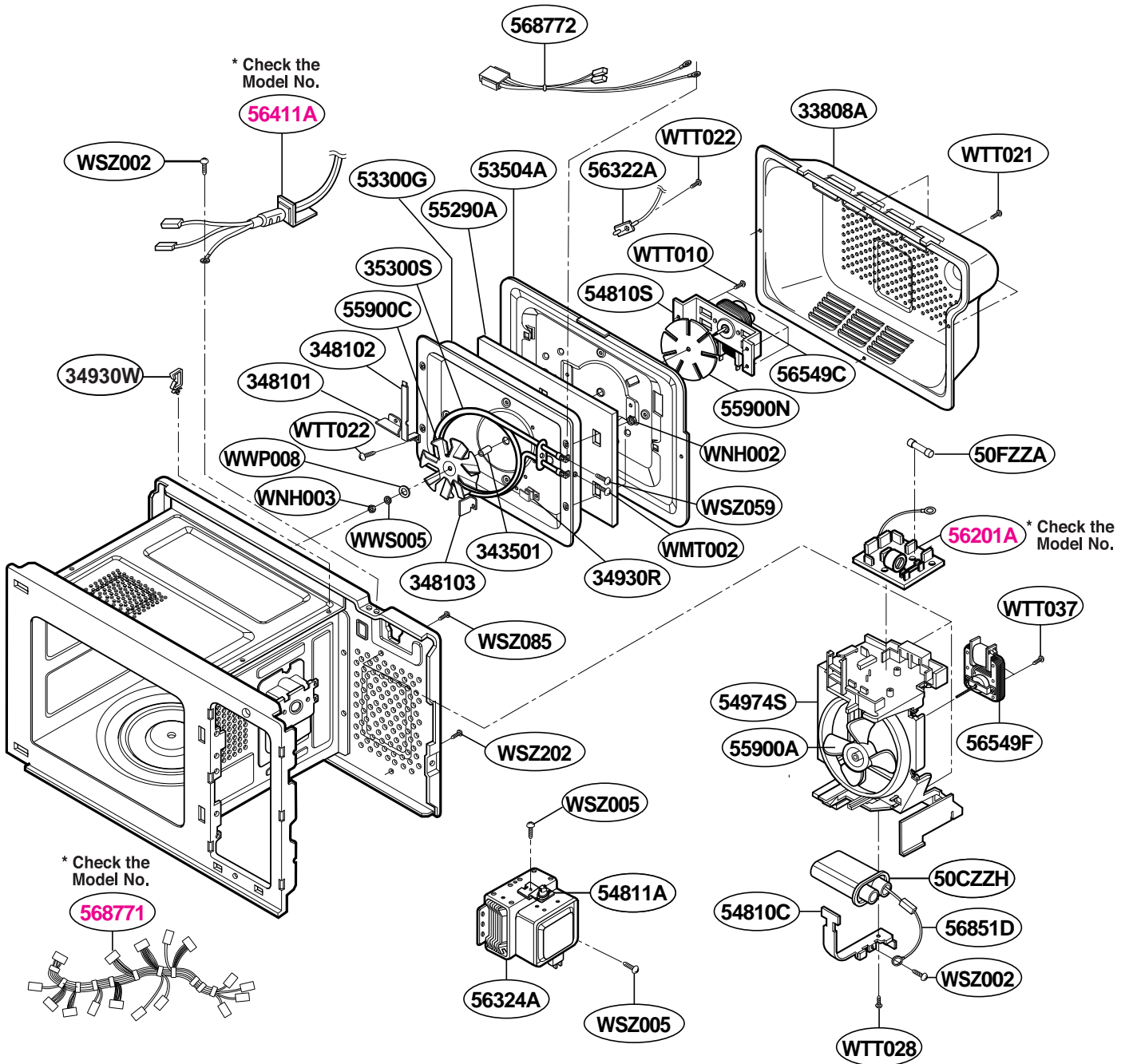
Check the rating label of Model and order SVC parts according to the Model No.



INTERIOR PARTS(II)

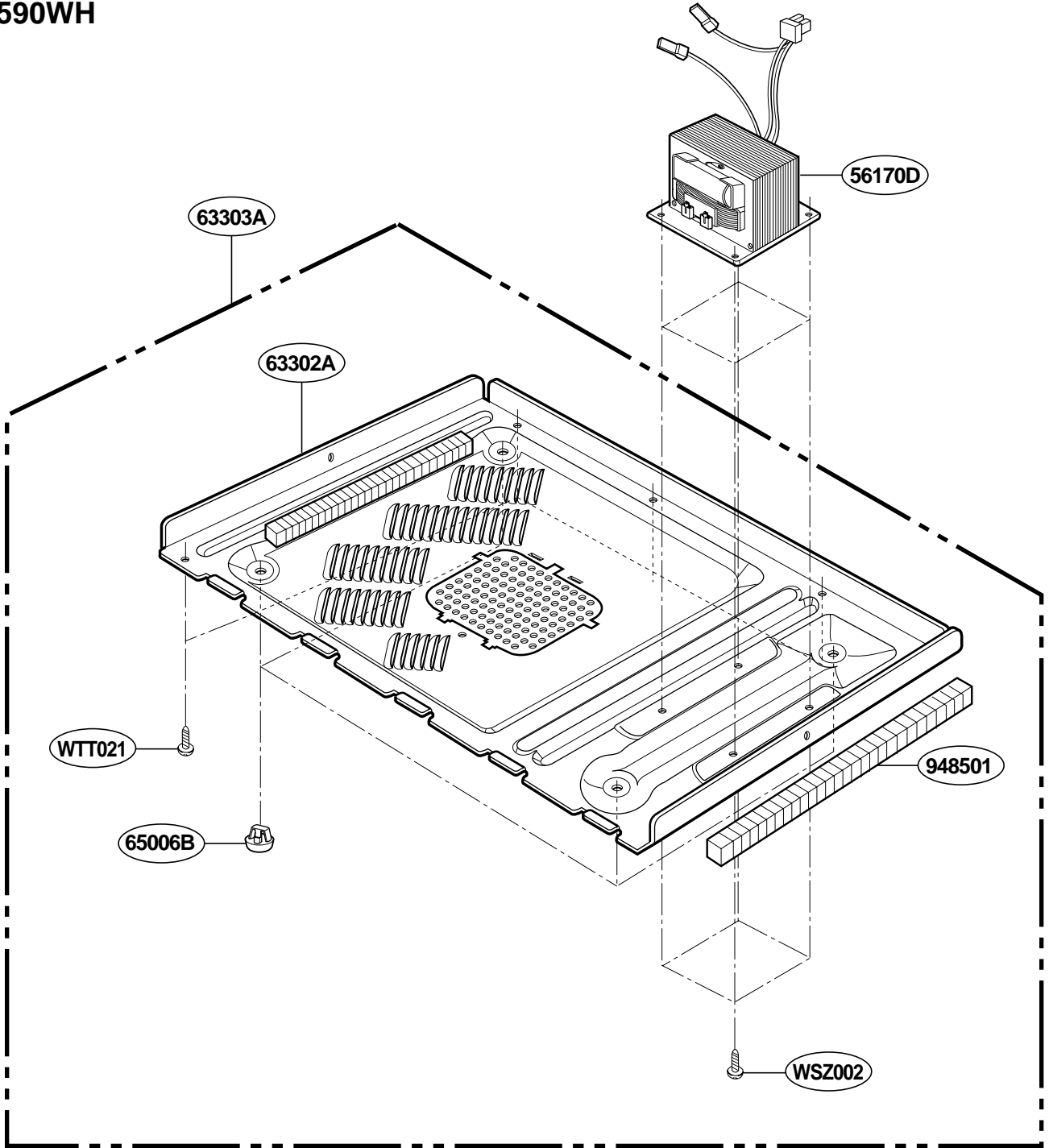
- JE1590BH02
- JE1590CH02
- JE1590SH02
- JE1590WH02

Check the rating label of Model and order SVC parts according to the Model No.



BASE PLATE PARTS

- JE1590BH
- JE1590CH
- JE1590SH
- JE1590WH



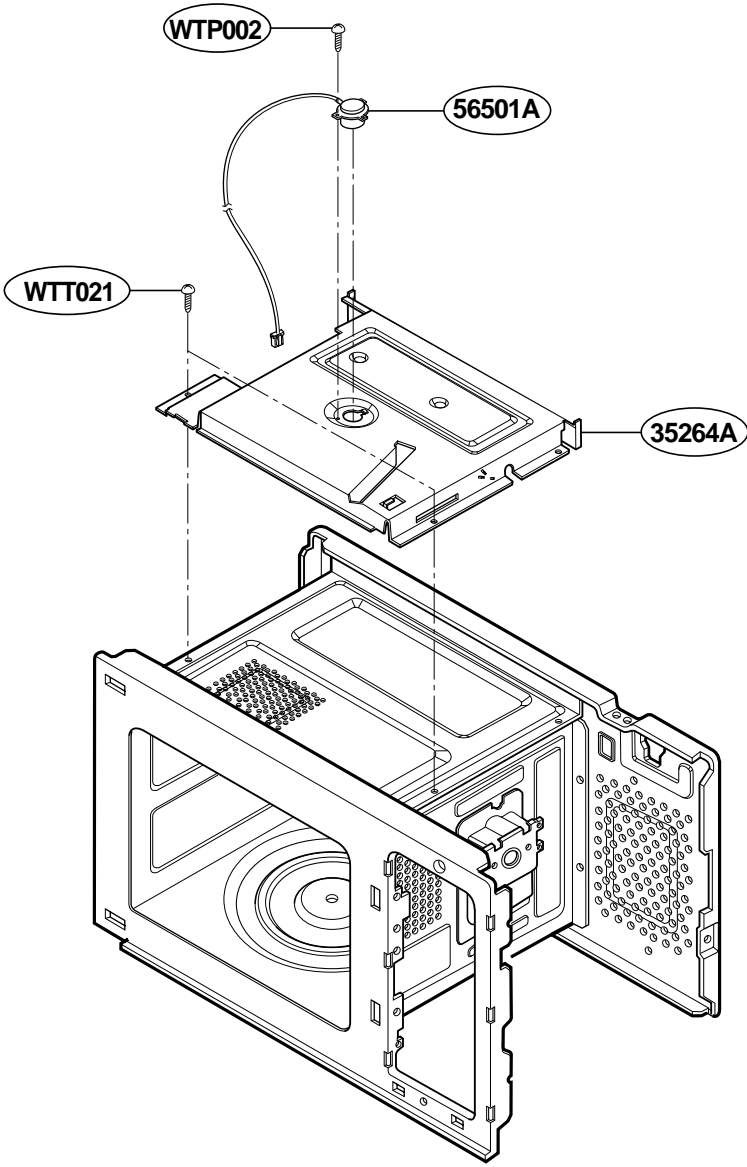
SENSOR PARTS

JE1590BH

JE1590CH

JE1590SH

JE1590WH



REPLACEMENT PARTS LIST

For MODEL: JE1590BH

LOC. NO	DESCRIPTION	DIFFERENCE CHART		SVC	QTY	ALTERNATIVE PART NO.	REMARKS
		JE1590BH/01	JE1590BH/02				
*01	MANUAL,OWNERS	3828W5A3768		R	1		
*03	COOK BOOK	3878W5A0027		R	1		
*07	CARD,TECHNICAL	3840W5T136A	3840W1T0020	R	1		Change
*10	BOX,YELLOW	3890W3Y159A		R	1		
13213A	DOOR FRAME ASSEMBLY	3213W0A002C		R	1		
13552A	CHOKE COVER	3552W0A002A		R	1		
13581A	DOOR ASSEMBLY	3581W0A101B	3581W0A101F	R	1	3581W0A101B	Change
13720D	PANEL,DOOR	3720W0D341B		R	1		
14026A	LATCH	4026W2A012A		R	1		
14890A	GLASS	4890W1A029F		S	1		
14970A	SPRING	4970WRA001B		R	1		
15006A	CAP,CHOKE COVER	5006W3A017A		R	1		
23572A	PANEL,CONTROL	3720W0C188B		R	1		
23790D	WINDOW,DIGITRON	3790W1A064A		R	1		
23806C	DECO,CONTROL PANEL	3806W1A109B		R	1		
24510L	LEVER	4510W1A015A		R	1		
24781S	CONTROLLER ASSEMBLY,SEMI MICOM	4781W0S034B		R	1		
249401	KNOB	4940W1A118B		S	1		
24970A	SPRING	4B72023A		R	1		
250201	BUTTON	5020W1A223B		B	1		
250202	BUTTON	5020W1A224B		B	1		
250203	BUTTON	5020W1A225B		B	1		
268711	PWB(PCB) ASSEMBLY,SUB	6871W1S281A		R	1		
268712	PWB(PCB) ASSEMBLY,SUB	6871W1S282A		R	1		
33052M	CANOPY,MICA	3052W3M022A		R	1		
33112U	OUT CASE,U-BENDING	3112W0U036G		R	1		
33390G	TRAY,GLASS	1B71961E		R	1		
33808A	COVER,BACK	3550W1A090A		R	1		
343501	RING	4B73725A		R	1		
34370T	SHAFT,TURN TABLE	4370W3A001A		R	1		
348101	BRACKET,HEATER	4810W3H003A		R	1		
348102	BRACKET,HEATER	4810W3H002A		R	1		
348103	BRACKET,HEATER	4810W3H004A		R	1		
34930R	SUPPORTER	4930W3A014A		R	2		
34930W	HOLDER,WIRE	4B72944B		R	1		
35026C	SHELF	5026W1A035D		R	1		
35264A	AIR TUNNEL	5264W1A015A	5264W1A015E	R	1		Change
35300S	HEATER,SHEATH	5300W1S006A		R	1		
35889A	ROTATING RING ASSEMBLY	5889W2A017A		R	1		
36549S	MOTOR(CIRC),SYNCHRONOUS	6549W1S013A		R	1		
36549W	MOTOR(CIRC),SYNCHRONOUS	6549WRS001P		R	1		
43500A	BOARD,LATCH	3500W1A008A		R	1		
43501A	BOARD ASSEMBLY,LATCH	3501W1A003U		R	1		
466001	SWITCH,MICRO	3B73362F		R	2	3B73362E	
466001	SWITCH,MICRO	3B73362F		R	2	6600W1K004C	
466002	SWITCH,MICRO	6600W1K001D		R	1		
466003	SWITCH,MICRO	3B73361E		R	1	6600W1K004B	
466003	SWITCH,MICRO	3B73361E		R	1	3B73361D	
50CZZH	CAPACITOR,DRAWING[HIGH VOLTAGE]	0CZZW1H002H	0CZZW1H004B	R	1	0CZZW1H002H	Change
50CZZH	CAPACITOR,DRAWING[HIGH VOLTAGE]	0CZZW1H002H	0CZZW1H004B	R	1	0CZZW1H003H	Change

R : SERVICE PARTS

For MODEL: JE1590BH

LOC. NO	DESCRIPTION	DIFFERENCE CHART		SVC	QTY	ALTERNATIVE PART NO.	REMARKS
		JE1590BH/01	JE1590BH/02				
50FZZA	FUSE,DRAWING	3B74133K		R	1	3B74133H	
53300G	PLATE,INNER	3300W1G088A		R	1		
53504A	CHAMBER	3300W1G087A		R	1		
53550L	COVER,LAMP	3550W3L001A		R	1		
54810C	BRACKET,CAPACITOR	4810W4C003A		R	1		
54810S	BRACKET,MOTOR	3B72717A		R	1		
54810U	BRACKET,DAMPER	4810W2U002A		R	1		
54811A	BRACKET ASSEMBLY	4811W3A016A		R	1		
54974S	GUIDE,SUCTION	4974W1S046A		R	1		
55262A	DUCT	3550W1A093B	3550W1A093A	R	1		Change
55290A	GLASS WOOL	5290W1A001A	5290W1A001B	R	1		Change
55900A	FAN	2B72279B		R	1		
55900C	FAN	5900W3A004B		R	1		
55900N	FAN	3B72559A		R	1		
56170D	TRANSFORMER,HIGH VOLTAGE	6170W1D023J	6170W1D012G	R	1	6170W1D023J	Change
56201A	FILTER ASSEMBLY(CIRC)	-	6201W2A018A	R	1		Add
56820A	FUSE HOLDER	4930W3B025B	-	R	1		Delete
56322A	THERMISTOR,NTC	6322W2A001A		R	1		
56324A	MAGNETRON	6324W1A001B	6324W1A001H	R	1	6324W1A001B	Change
56411A	POWER CORD ASSEMBLY	6411W2A002Z		R	1		
56501A	SENSOR ASSEMBLY	6501W1A004A		R	1		
56549C	MOTOR(CIRC),CIRCULATION	2B72066G		R	1		
56549F	MOTOR(CIRC),FAN	6549W2F017N		R	1		
56851D	CABLE ASSEMBLY	6021W3B001A	6021W3B001U	R	1	6021W3B001A	Change
568771	HARNESS	6877W1A301B	6877W1A301C	R	1		Change
568772	HARNESS	6877W2A002C		R	1		
56912B	LAMP,DRAWING	6912W3B002E		R	1		
56930V	THERMOSTAT	6930W1A002F	6930W1A003D	R	1	6930W1A002F	Change
63302A	BASE PLATE	3302W0A022A		R	1		
63303A	BASE PLATE ASSEMBLY	3303W1A045B		R	1		
65006B	CAP,BASE PLATE	5006W3A016B		R	1		
9383EA	SERVICE PARTS	-	383EW1A081A				Add
948501	CUSHION	3B72244C		R	1		
WMT002	SCREW MACHINE,TRUSS HEAD	1MTC0402432		R	1		
WNH002	NUT,HEXAGON	1NHA0400018		R	2		
WNH003	NUT,HEXAGON	1NHA0400032		R	1		
WSZ002	SCREW TAP TITE(S),BINDING HEAD	1SBF0402418		R	13		
WSZ005	SCREW TAP TITE(B),PAN HEAD	1SPF0302018		R	1		
WSZ059	SCREW,DRAWING	4000W4A001A		R	2		
WSZ085	SCREW,DRAWING	4B70188C		R	3		
WSZ161	SCREW,DRAWING	-	4B75675A	R	1		Add
WSZ185	SCREW,DRAWING	1SZZW2A002A		R	2		
WSZ202	SCREW,DRAWING	1SZZW2A002D		R	1		
WTP002	SCREW TAPPING,PAN HEAD	1TPL0302018		R	2		
WTP004	SCREW TAPPING,PAN HEAD	1TPL0302418		R	10		
WTP007	SCREW TAPPING,PAN HEAD	1TPL0303118		R	1		
WTP013	SCREW TAPPING,PAN HEAD	1TPL0402418		R	4		
WTP015	SCREW TAPPING,PAN HEAD	1TPL0402618		R	1		Delete
WTP018	SCREW TAPPING,PAN HEAD	1TPL0402818		R	3		
WTT011	SCREW TAPPING,TRUSS HEAD	1TTG0402632		R	2		

R : SERVICE PARTS

For MODEL: JE1590BH

LOC. NO	DESCRIPTION	DIFFERENCE CHART		SVC	QTY	ALTERNATIVE PART NO.	REMARKS
		JE1590BH/01	JE1590BH/02				
WTT020	SCREW TAPPING, TRUSS HEAD	1TTL0402416		R	2		
WTT021	SCREW TAPPING, TRUSS HEAD	1TTL0402418		R	15		
WTT022	SCREW TAPPING, TRUSS HEAD	1TTL0402422		R	11		
WTT028	SCREW TAPPING, TRUSS HEAD	1TTL0402818		R	5		
WTT037	SCREW TAPPING, TRUSS HEAD	1TTL0403818		R	2		
WWP008	WASHER, PLAIN	1WPL0500032		R	1		
WWS005	WASHER, SPRING LOCK	1WSD0400032		R	1		

R : SERVICE PARTS

For MODEL: JE1590CH

LOC. NO	DESCRIPTION	DIFFERENCE CHART		SVC	QTY	ALTERNATIVE PART NO.	REMARKS
		JE1590CH/01	JE1590CH/02				
*01	MANUAL,OWNERS	3828W5A3768		R	1		
*03	COOK BOOK	3878W5A0027		R	1		
*07	CARD,TECHNICAL	3840W5T136A	3840W1T0020	R	1		Change
*10	BOX,YELLOW	3890W3Y159A		R	1		
13213A	DOOR FRAME ASSEMBLY	3213W0A002C		R	1		
13552A	CHOKE COVER	3552W0A002A		R	1		
13581A	DOOR ASSEMBLY	3581W0A101C	3581W0A101G	R	1	3581W0A101C	Change
13720D	PANEL,DOOR	3720W0D341C		R	1		
14026A	LATCH	4026W2A012A		R	1		
14890A	GLASS	4890W1A029F		S	1		
14970A	SPRING	4970WRA001B		R	1		
15006A	CAP,CHOKE COVER	5006W3A017A		R	1		
23572A	PANEL,CONTROL	3720W0C188C		R	1		
23790D	WINDOW,DIGITRON	3790W1A064A		R	1		
23806C	DECO,CONTROL PANEL	3806W1A109C		R	1		
24510L	LEVER	4510W1A015A		R	1		
24781S	CONTROLLER ASSEMBLY,SEMI MICOM	4781W0S034C		R	1		
249401	KNOB	4940W1A118C		S	1		
24970A	SPRING	4B72023A		R	1		
250201	BUTTON	5020W1A223C		B	1		
250202	BUTTON	5020W1A224C		B	1		
250203	BUTTON	5020W1A225C		B	1		
268711	PWB(PCB) ASSEMBLY,SUB	6871W1S281A		R	1		
268712	PWB(PCB) ASSEMBLY,SUB	6871W1S282A		R	1		
33052M	CANOPY,MICA	3052W3M022A		R	1		
33112U	OUT CASE,U-BENDING	3112W0U036F		R	1		
33390G	TRAY,GLASS	1B71961E		R	1		
33808A	COVER,BACK	3550W1A090A		R	1		
343501	RING	4B73725A		R	1		
34370T	SHAFT,TURN TABLE	4370W3A001A		R	1		
348101	BRACKET,HEATER	4810W3H003A		R	1		
348102	BRACKET,HEATER	4810W3H002A		R	1		
348103	BRACKET,HEATER	4810W3H004A		R	1		
34930R	SUPPORTER	4930W3A014A		R	2		
34930W	HOLDER,WIRE	4B72944B		R	1		
35026C	SHELF	5026W1A035D		R	1		
35264A	AIR TUNNEL	5264W1A015A	5264W1A015E	R	1		Change
35300S	HEATER,SHEATH	5300W1S006A		R	1		
35889A	ROTATING RING ASSEMBLY	5889W2A017A		R	1		
36549S	MOTOR(CIRC),SYNCHRONOUS	6549W1S013A		R	1		
36549W	MOTOR(CIRC),SYNCHRONOUS	6549WRS001P		R	1		
43500A	BOARD,LATCH	3500W1A008A		R	1		
43501A	BOARD ASSEMBLY,LATCH	3501W1A003U		R	1		
466001	SWITCH,MICRO	3B73362F		R	2	3B73362E	
466001	SWITCH,MICRO	3B73362F		R	2	6600W1K004C	
466002	SWITCH,MICRO	6600W1K001D		R	1		
466003	SWITCH,MICRO	3B73361E		R	1	6600W1K004B	
466003	SWITCH,MICRO	3B73361E		R	1	3B73361D	
50CZZH	CAPACITOR,DRAWING[HIGH VOLTAGE]	0CZZW1H002H	0CZZW1H004B	R	1	0CZZW1H002H	Change
50CZZH	CAPACITOR,DRAWING[HIGH VOLTAGE]	0CZZW1H002H	0CZZW1H004B	R	1	0CZZW1H003H	Change

R : SERVICE PARTS

For MODEL: JE1590CH

LOC. NO	DESCRIPTION	DIFFERENCE CHART		SVC	QTY	ALTERNATIVE PART NO.	REMARKS
		JE1590CH/01	JE1590CH/02				
50FZZA	FUSE,DRAWING	3B74133K		R	1	3B74133H	
53300G	PLATE,INNER	3300W1G088A		R	1		
53504A	CHAMBER	3300W1G087A		R	1		
53550L	COVER,LAMP	3550W3L001A		R	1		
54810C	BRACKET,CAPACITOR	4810W4C003A		R	1		
54810S	BRACKET,MOTOR	3B72717A		R	1		
54810U	BRACKET,DAMPER	4810W2U002A		R	1		
54811A	BRACKET ASSEMBLY	4811W3A016A		R	1		
54974S	GUIDE,SUCTION	4974W1S046A		R	1		
55262A	DUCT	3550W1A093B	3550W1A093A	R	1		Change
55290A	GLASS WOOL	5290W1A001A	5290W1A001B	R	1		Change
55900A	FAN	2B72279B		R	1		
55900C	FAN	5900W3A004B		R	1		
55900N	FAN	3B72559A		R	1		
56170D	TRANSFORMER,HIGH VOLTAGE	6170W1D023J	6170W1D012G	R	1	6170W1D023J	Change
56201A	FILTER ASSEMBLY(CIRC)	-	6201W2A018A	R	1		Add
56820A	FUSE HOLDER	4930W3B025B	-	R	1		Delete
56322A	THERMISTOR,NTC	6322W2A001A		R	1		
56324A	MAGNETRON	6324W1A001B	6324W1A001H	R	1	6324W1A001B	Change
56411A	POWER CORD ASSEMBLY	6411W2A002Z		R	1		
56501A	SENSOR ASSEMBLY	6501W1A004A		R	1		
56549C	MOTOR(CIRC),CIRCULATION	2B72066G		R	1		
56549F	MOTOR(CIRC),FAN	6549W2F017N		R	1		
56851D	CABLE ASSEMBLY	6021W3B001A	6021W3B001U	R	1	6021W3B001A	Change
568771	HARNESS	6877W1A301B	6877W1A301C	R	1		Change
568772	HARNESS	6877W2A002C		R	1		
56912B	LAMP,DRAWING	6912W3B002E		R	1		
56930V	THERMOSTAT	6930W1A002F	6930W1A003D	R	1	6930W1A002F	Change
63302A	BASE PLATE	3302W0A022A		R	1		
63303A	BASE PLATE ASSEMBLY	3303W1A045B		R	1		
65006B	CAP,BASE PLATE	5006W3A016B		R	1		
9383EA	SERVICE PARTS	-	383EW1A081A	R	1		Add
948501	CUSHION	3B72244C		R	1		
WMT002	SCREW MACHINE,TRUSS HEAD	1MTC0402432		R	1		
WNH002	NUT,HEXAGON	1NHA0400018		R	2		
WNH003	NUT,HEXAGON	1NHA0400032		R	1		
WSZ002	SCREW TAP TITE(S),BINDING HEAD	1SBF0402418		R	13		
WSZ005	SCREW TAP TITE(B),PAN HEAD	1SPF0302018		R	1		
WSZ059	SCREW,DRAWING	4000W4A001A		R	2		
WSZ085	SCREW,DRAWING	4B70188C		R	3		
WSZ161	SCREW,DRAWING	-	4B75675A	R	1		Add
WSZ185	SCREW,DRAWING	1SZZW2A002A		R	2		
WSZ202	SCREW,DRAWING	1SZZW2A002D		R	1		
WTP002	SCREW TAPPING,PAN HEAD	1TPL0302018		R	2		
WTP004	SCREW TAPPING,PAN HEAD	1TPL0302418		R	10		
WTP007	SCREW TAPPING,PAN HEAD	1TPL0303118		R	1		
WTP013	SCREW TAPPING,PAN HEAD	1TPL0402418		R	4		
WTP015	SCREW TAPPING,PAN HEAD	1TPL0402618		R	1		Delete
WTP018	SCREW TAPPING,PAN HEAD	1TPL0402818		R	3		
WTT010	SCREW TAPPING,TRUSS HEAD	1TTG0402422		R	2		

R : SERVICE PARTS

For MODEL: JE1590CH

LOC. NO	DESCRIPTION	DIFFERENCE CHART		SVC	QTY	ALTERNATIVE PART NO.	REMARKS
		JE1590CH/01	JE1590CH/02				
WTT011	SCREW TAPPING, TRUSS HEAD	1TTG0402632		R	2		
WTT021	SCREW TAPPING, TRUSS HEAD	1TTL0402418		R	15		
WTT022	SCREW TAPPING, TRUSS HEAD	1TTL0402422		R	11		
WTT028	SCREW TAPPING, TRUSS HEAD	1TTL0402818		R	5		
WTT037	SCREW TAPPING, TRUSS HEAD	1TTL0403818		R	2		
WWP008	WASHER, PLAIN	1WPL0500032		R	1		
WWS005	WASHER, SPRING LOCK	1WSD0400032		R	1		

R : SERVICE PARTS

For MODEL: JE1590SH

LOC. NO	DESCRIPTION	DIFFERENCE CHART		SVC	QTY	ALTERNATIVE PART NO.	REMARKS
		JE1590SH/01	JE1590SH/02				
*01	MANUAL,OWNERS	3828W5A3768		R	1		
*03	COOK BOOK	3878W5A0027		R	1		
*07	CARD,TECHNICAL	3840W5T136A	3840W1T0020	R	1		Change
*10	BOX,YELLOW	3890W3Y159A		R	1		
13213A	DOOR FRAME ASSEMBLY	3213W0A002C		R	1		
13551A	SERVICE PARTS(DOOR STS ASSY)	383EW5A167A		R	1		
13552A	CHOKE COVER	3552W0A002A		R	1		
13581A	DOOR ASSEMBLY	3581W0A101D	3581W0A101H	R	1	3581W0A101D	Change
14026A	LATCH	4026W2A012A		R	1		
14890A	GLASS	4890W1A029F		S	1		
14970A	SPRING	4970WRA001B		R	1		
15006A	CAP,CHOKE COVER	5006W3A017A		R	1		
23551A	SERVICE PARTS	383EW5A168A		R	1		
23551B	SERVICE PARTS	383EW5A169A		R	1		
23790D	WINDOW,DIGITRON	3790W1A064A		R	1		
24510L	LEVER	4510W1A015A		R	1		
24781S	CONTROLLER ASSEMBLY,SEMI MICOM	4781W0S034D		R	1		
249401	KNOB	4940W1A118D		S	1		
24970A	SPRING	4B72023A		R	1		
250201	BUTTON	5020W1A223D		R	1		
250202	BUTTON	5020W1A224D		B	1		
268711	PWB(PCB) ASSEMBLY,SUB	6871W1S281A		R	1		
268712	PWB(PCB) ASSEMBLY,SUB	6871W1S282A		R	1		
33052M	CANOPY,MICA	3052W3M022A		R	1		
33112U	OUT CASE,U-BENDING	3112W0U036G		R	1		
33390G	TRAY,GLASS	1B71961E		R	1		
33808A	COVER,BACK	3550W1A090A		R	1		
343501	RING	4B73725A		R	1		
34370T	SHAFT,TURN TABLE	4370W3A001A		R	1		
348101	BRACKET,HEATER	4810W3H003A		R	1		
348102	BRACKET,HEATER	4810W3H002A		R	1		
348103	BRACKET,HEATER	4810W3H004A		R	1		
34930R	SUPPORTER	4930W3A014A		R	2		
34930W	HOLDER,WIRE	4B72944B		R	1		
35026C	SHELF	5026W1A035D		R	1		
35264A	AIR TUNNEL	5264W1A015A	5264W1A015E	R	1		Change
35300S	HEATER,SHEATH	5300W1S006A		R	1		
35889A	ROTATING RING ASSEMBLY	5889W2A017A		R	1		
36549S	MOTOR(CIRC),SYNCHRONOUS	6549W1S013A		R	1		
36549W	MOTOR(CIRC),SYNCHRONOUS	6549WRS001P		R	1		
43500A	BOARD,LATCH	3500W1A008A		R	1		
43501A	BOARD ASSEMBLY,LATCH	3501W1A003U		R	1		
466001	SWITCH,MICRO	3B73362F		R	2	3B73362E	
466001	SWITCH,MICRO	3B73362F		R	2	6600W1K004C	
466002	SWITCH,MICRO	6600W1K001D		R	1		
466003	SWITCH,MICRO	3B73361E		R	1	6600W1K004B	
466003	SWITCH,MICRO	3B73361E		R	1	3B73361D	
50CZZH	CAPACITOR,DRAWING[HIGH VOLTAGE]	0CZZW1H002H	0CZZW1H004B	R	1	0CZZW1H002H	Change
50CZZH	CAPACITOR,DRAWING[HIGH VOLTAGE]	0CZZW1H002H	0CZZW1H004B	R	1	0CZZW1H003H	
50FZZA	FUSE,DRAWING	3B74133K		R	1	3B74133H	

R : SERVICE PARTS

For MODEL: JE1590SH

LOC. NO	DESCRIPTION	DIFFERENCE CHART		SVC	QTY	ALTERNATIVE PART NO.	REMARKS
		JE1590SH/01	JE1590SH/02				
53300G	PLATE,INNER	3300W1G088A		R	1		
53504A	CHAMBER	3300W1G087A		R	1		
53550L	COVER,LAMP	3550W3L001A		R	1		
54810C	BRACKET,CAPACITOR	4810W4C003A		R	1		
54810S	BRACKET,MOTOR	3B72717A		R	1		
54810U	BRACKET,DAMPER	4810W2U002A		R	1		
54811A	BRACKET ASSEMBLY	4811W3A016A		R	1		
54974S	GUIDE,SUCTION	4974W1S046A		R	1		
55262A	DUCT	3550W1A093B	3550W1A093A	R	1		Change
55290A	GLASS WOOL	5290W1A001A	5290W1A001B	R	1		Change
55900A	FAN	2B72279B		R	1		
55900C	FAN	5900W3A004B		R	1		
55900N	FAN	3B72559A		R	1		
56170D	TRANSFORMER,HIGH VOLTAGE	6170W1D023J	6170W1D012G	R	1	6170W1D023J	Change
56201A	FILTER ASSEMBLY(CIRC)	-	6201W2A018A	R	1		Add
56820A	FUSE HOLDER	4930W3B025B	-	R	1		Delete
56322A	THERMISTOR,NTC	6322W2A001A		R	1		
56324A	MAGNETRON	6324W1A001B	6324W1A001H	R	1	6324W1A001B	Change
56411A	POWER CORD ASSEMBLY	6411W2A002Z		R	1		
56501A	SENSOR ASSEMBLY	6501W1A004A		R	1		
56549C	MOTOR(CIRC),CIRCULATION	2B72066G		R	1		
56549F	MOTOR(CIRC),FAN	6549W2F017N		R	1		
56851D	CABLE ASSEMBLY	6021W3B001A	6021W3B001U	R	1	6021W3B001A	Change
568771	HARNESS	6877W1A301B	6877W1A301C	R	1		Change
568772	HARNESS	6877W2A002C		R	1		
56912B	LAMP,DRAWING	6912W3B002E		R	1		
56930V	THERMOSTAT	6930W1A002F	6930W1A003D	R	1	6930W1A002F	Change
63302A	BASE PLATE	3302W0A022A		R	1		
63303A	BASE PLATE ASSEMBLY	3303W1A045B		R	1		
65006B	CAP,BASE PLATE	5006W3A016B		R	1		
9383EA	SERVICE PARTS	-	383EW1A081A	R	1		Add
948501	CUSHION	3B72244C		R	1		
WMT002	SCREW MACHINE,TRUSS HEAD	1MTC0402432		R	1		
WNH002	NUT,HEXAGON	1NHA0400018		R	2		
WNH003	NUT,HEXAGON	1NHA0400032		R	1		
WSZ002	SCREW TAP TITE(S),BINDING HEAD	1SBF0402418		R	13		
WSZ005	SCREW TAP TITE(B),PAN HEAD	1SPF0302018		R	1		
WSZ059	SCREW,DRAWING	4000W4A001A		R	2		
WSZ085	SCREW,DRAWING	4B70188C		R	3		
WSZ161	SCREW,DRAWING	-	4B75675A	R	1		Add
WSZ185	SCREW,DRAWING	1SZZW2A002A		R	2		
WSZ202	SCREW,DRAWING	1SZZW2A002D		R	1		
WTP002	SCREW TAPPING,PAN HEAD	1TPL0302018		R	2		
WTP004	SCREW TAPPING,PAN HEAD	1TPL0302418		R	10		
WTP007	SCREW TAPPING,PAN HEAD	1TPL0303118		R	1		
WTP013	SCREW TAPPING,PAN HEAD	1TPL0402418		R	4		
WTP015	SCREW TAPPING,PAN HEAD	1TPL0402618		R	1		Delete
WTP018	SCREW TAPPING,PAN HEAD	1TPL0402818		R	3		
WTT011	SCREW TAPPING,TRUSS HEAD	1TTG0402632		R	2		
WTT020	SCREW TAPPING,TRUSS HEAD	1TTL0402416		R	2		

R : SERVICE PARTS

For MODEL: JE1590SH

LOC. NO	DESCRIPTION	DIFFERENCE CHART		SVC	QTY	ALTERNATIVE PART NO.	REMARKS
		JE1590SH/01	JE1590SH/02				
WTT021	SCREW TAPPING, TRUSS HEAD	1TTL0402418		R	15		
WTT022	SCREW TAPPING, TRUSS HEAD	1TTL0402422		R	11		
WTT028	SCREW TAPPING, TRUSS HEAD	1TTL0402818		R	5		
WTT037	SCREW TAPPING, TRUSS HEAD	1TTL0403818		R	2		
WWP008	WASHER, PLAIN	1WPL0500032		R	1		
WWS005	WASHER, SPRING LOCK	1WSD0400032		R	1		

R : SERVICE PARTS

For MODEL: JE1590WH

LOC. NO	DESCRIPTION	DIFFERENCE CHART		SVC	QTY	ALTERNATIVE PART NO.	REMARKS
		JE1590WH/01	JE1590WH/02				
*01	MANUAL,OWNERS	3828W5A3768		R	1		
*03	COOK BOOK	3878W5A0027		R	1		
*07	CARD,TECHNICAL	3840W5T136A	3840W1T0020	R	1		Change
*10	BOX,YELLOW	3890W3Y159A		R	1		
13213A	DOOR FRAME ASSEMBLY	3213W0A002C		R	1		
13552A	CHOKE COVER	3552W0A002A		R	1		
13581A	DOOR ASSEMBLY	3581W0A101A	3581W0A101E	R	1	3581W0A101A	Change
13720D	PANEL,DOOR	3720W0D341A		R	1		
14026A	LATCH	4026W2A012A		R	1		
14890A	GLASS	4890W1A029F		S	1		
14970A	SPRING	4970WRA001B		R	1		
15006A	CAP,CHOKE COVER	5006W3A017A		R	1		
23572A	PANEL,CONTROL	3720W0C188A		R	1		
23790D	WINDOW,DIGITRON	3790W1A064A		R	1		
23806C	DECO,CONTROL PANEL	3806W1A109A		R	1		
24510L	LEVER	4510W1A015A		R	1		
24781S	CONTROLLER ASSEMBLY,SEMI MICOM	4781W0S034A		R	1		
249401	KNOB	4940W1A118A		S	1		
24970A	SPRING	4B72023A		R	1		
250201	BUTTON	5020W1A223A		B	1		
250202	BUTTON	5020W1A224A		B	1		
250203	BUTTON	5020W1A225A		B	1		
268711	PWB(PCB) ASSEMBLY,SUB	6871W1S281A		R	1		
268712	PWB(PCB) ASSEMBLY,SUB	6871W1S282A		R	1		
33052M	CANOPY,MICA	3052W3M022A		R	1		
33112U	OUT CASE,U-BENDING	3112W0U036D		R	1		
33390G	TRAY,GLASS	1B71961E		R	1		
33808A	COVER,BACK	3550W1A090A		R	1		
343501	RING	4B73725A		R	1		
34370T	SHAFT,TURN TABLE	4370W3A001A		R	1		
348101	BRACKET,HEATER	4810W3H003A		R	1		
348102	BRACKET,HEATER	4810W3H002A		R	1		
348103	BRACKET,HEATER	4810W3H004A		R	1		
34930R	SUPPORTER	4930W3A014A		R	2		
34930W	HOLDER,WIRE	4B72944B		R	1		
35026C	SHELF	5026W1A035D		R	1		
35264A	AIR TUNNEL	5264W1A015A	5264W1A015E	R	1		Change
35300S	HEATER,SHEATH	5300W1S006A		R	1		
35889A	ROTATING RING ASSEMBLY	5889W2A017A		R	1		
36549S	MOTOR(CIRC),SYNCHRONOUS	6549W1S013A		R	1		
36549W	MOTOR(CIRC),SYNCHRONOUS	6549WRS001P		R	1		
43500A	BOARD,LATCH	3500W1A008A		R	1		
43501A	BOARD ASSEMBLY,LATCH	3501W1A003U		R	1		
466001	SWITCH,MICRO	3B73362F		R	2	3B73362E	
466001	SWITCH,MICRO	3B73362F		R	2	6600W1K004C	
466002	SWITCH,MICRO	6600W1K001D		R	1		
466003	SWITCH,MICRO	3B73361E		R	1	6600W1K004B	
466003	SWITCH,MICRO	3B73361E		R	1	3B73361D	
50CZZH	CAPACITOR,DRAWING[HIGH VOLTAGE]	0CZZW1H002H	0CZZW1H004B	R	1	0CZZW1H002H	Change
50CZZH	CAPACITOR,DRAWING[HIGH VOLTAGE]	0CZZW1H002H	0CZZW1H004B	R	1	0CZZW1H003H	Change

R : SERVICE PARTS

For MODEL: JE1590WH

LOC. NO	DESCRIPTION	DIFFERENCE CHART		SVC	QTY	ALTERNATIVE PART NO.	REMARKS
		JE1590WH/01	JE1590WH/02				
50FZZA	FUSE,DRAWING	3B74133K		R	1	3B74133H	
53300G	PLATE,INNER	3300W1G088A		R	1		
53504A	CHAMBER	3300W1G087A		R	1		
53550L	COVER,LAMP	3550W3L001A		R	1		
54810C	BRACKET,CAPACITOR	4810W4C003A		R	1		
54810S	BRACKET,MOTOR	3B72717A		R	1		
54810U	BRACKET,DAMPER	4810W2U002A		R	1		
54811A	BRACKET ASSEMBLY	4811W3A016A		R	1		
54974S	GUIDE,SUCTION	4974W1S046A		R	1		
55262A	DUCT	3550W1A093B	3550W1A093A	R	1		Change
55290A	GLASS WOOL	5290W1A001A	5290W1A001B	R	1		Change
55900A	FAN	2B72279B		R	1		
55900C	FAN	5900W3A004B		R	1		
55900N	FAN	3B72559A		R	1		
56170D	TRANSFORMER,HIGH VOLTAGE	6170W1D023J	6170W1D012G	R	1	6170W1D023J	Change
56201A	FILTER ASSEMBLY(CIRC)	-	6201W2A018A	R	1		Add
56820A	FUSE HOLDER	4930W3B025B	-	R	1	4930W3B025A	Delete
56322A	THERMISTOR,NTC	6322W2A001A		R	1		
56324A	MAGNETRON	6324W1A001B	6324W1A001H	R	1	6324W1A001B	Change
56411A	POWER CORD ASSEMBLY	6411W2A002Z		R	1		
56501A	SENSOR ASSEMBLY	6501W1A004A		R	1		
56549C	MOTOR(CIRC),CIRCULATION	2B72066G		R	1		
56549F	MOTOR(CIRC),FAN	6549W2F017N		R	1		
56851D	CABLE ASSEMBLY	6021W3B001A	6021W3B001U	R	1	6021W3B001A	Change
568771	HARNESS	6877W1A301B	6877W1A301C	R	1		Change
568772	HARNESS	6877W2A002C		R	1		
56912B	LAMP,DRAWING	6912W3B002E		R	1		
56930V	THERMOSTAT	6930W1A002F	6930W1A003D	R	1	6930W1A002F	Change
63302A	BASE PLATE	3302W0A022A		R	1		
63303A	BASE PLATE ASSEMBLY	3303W1A045B		R	1		
65006B	CAP,BASE PLATE	5006W3A016B		R	1		
9383EA	SERVICE PARTS(HARD WARE BAG)	-	383EW1A081A	R	1		Add
948501	CUSHION	3B72244C		R	1		
WMT002	SCREW MACHINE,TRUSS HEAD	1MTC0402432		R	1		
WNH002	NUT,HEXAGON	1NHA0400018		R	2		
WNH003	NUT,HEXAGON	1NHA0400032		R	1		
WSZ002	SCREW TAP TITE(S),BINDING HEAD	1SBF0402418		R	13		
WSZ005	SCREW TAP TITE(B),PAN HEAD	1SPF0302018		R	1		
WSZ059	SCREW,DRAWING	4000W4A001A		R	2		
WSZ085	SCREW,DRAWING	4B70188C		R	3		
WSZ161	SCREW,DRAWING	-	4B75675A	R	1		Add
WSZ185	SCREW,DRAWING	1SZZW2A002A		R	2		
WSZ202	SCREW,DRAWING	1SZZW2A002D		R	1		
WTP002	SCREW TAPPING,PAN HEAD	1TPL0302018		R	2		
WTP004	SCREW TAPPING,PAN HEAD	1TPL0302418		R	10		
WTP007	SCREW TAPPING,PAN HEAD	1TPL0303118		R	1		
WTP013	SCREW TAPPING,PAN HEAD	1TPL0402418		R	4		
WTP015	SCREW TAPPING,PAN HEAD	1TPL0402618		R	1		Delete
WTP018	SCREW TAPPING,PAN HEAD	1TPL0402818		R	3		
WTT010	SCREW TAPPING,TRUSS HEAD	1TTG0402422		R	2		

R : SERVICE PARTS

For MODEL: JE1590WH

LOC. NO	DESCRIPTION	DIFFERENCE CHART		SVC	QTY	ALTERNATIVE PART NO.	REMARKS
		JE1590WH/01	JE1590WH/02				
WTT011	SCREW TAPPING, TRUSS HEAD	1TTG0402632		R	2		
WTT021	SCREW TAPPING, TRUSS HEAD	1TTL0402418		R	15		
WTT022	SCREW TAPPING, TRUSS HEAD	1TTL0402422		R	11		
WTT028	SCREW TAPPING, TRUSS HEAD	1TTL0402818		R	5		
WTT037	SCREW TAPPING, TRUSS HEAD	1TTL0403818		R	2		
WWP008	WASHER, PLAIN	1WPL0500032		R	1		
WWS005	WASHER, SPRING LOCK	1WSD0400032		R	1		

R : SERVICE PARTS