

DO SOMETHING
POSITIVE FOR
THE ENVIRONMENT

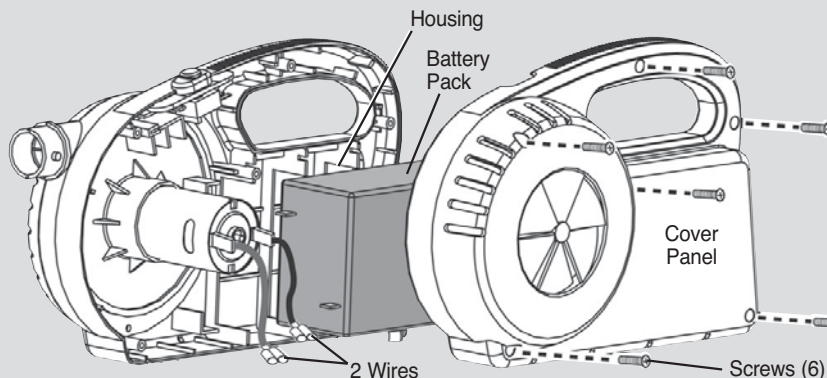


RECYCLE



RECHARGEABLE
QUICKPUMPS™

PLEASE RETAIN
INSTRUCTIONS
FOR FUTURE USE



This product uses a Lead Acid Sealed Rechargeable Battery Pack. The battery pack is **Recyclable**.

At the end of the battery pack's useful life, it should be **removed** from the unit and be **recycled** or **properly disposed of according to local, state, federal, or provincial laws**. **Do not discard in a landfill or incinerate the battery pack.**

BATTERY PACK REMOVAL

1. Open the main housing of the unit by removing the 6 screws in the side cover panel and lift off.
2. The battery pack is secured to the housing with foam adhesive pads. If the battery pack has leaked or vented, wear protective gloves and eye-wear before continuing. A screwdriver may be needed to pry and release the battery from its position in the housing. Pull the battery pack from its position and set beside the QuickPump™.
3. Pull the red and black wires from the battery by grasping the slide-off clips and pulling outward from the terminals. Never cut the red and black wires to remove the battery.
4. Remove the battery pack and place it in a small plastic bag.
5. Properly recycle or dispose of the battery and the remains of the QuickPump™.
Do not apply electrical power to the unit once the battery pack has been removed or when the housing is not intact.
6. Contact 1-800-8-Battery (1-800-822-8837) for a battery disposal location near you.

The Coleman Company is a licensee of the Rechargeable Battery Recycling Corporation (RBRC), an international company formed to create, promote, and run a rechargeable battery recycling program.

Since the early days of the Coleman company, nearly 100 years ago, Coleman has been concerned about protecting our environment. So it's natural that Coleman be a RBRC licensee. Since 1996, lawmakers passed a federal law for a national battery recycling policy.

