

This Owner's Manual is provided and hosted by [Appliance Factory Parts](http://www.appliancefactoryparts.com).



# GE JE1860GB003 Owner's Manual

[Shop genuine replacement parts for GE JE1860GB003](#)



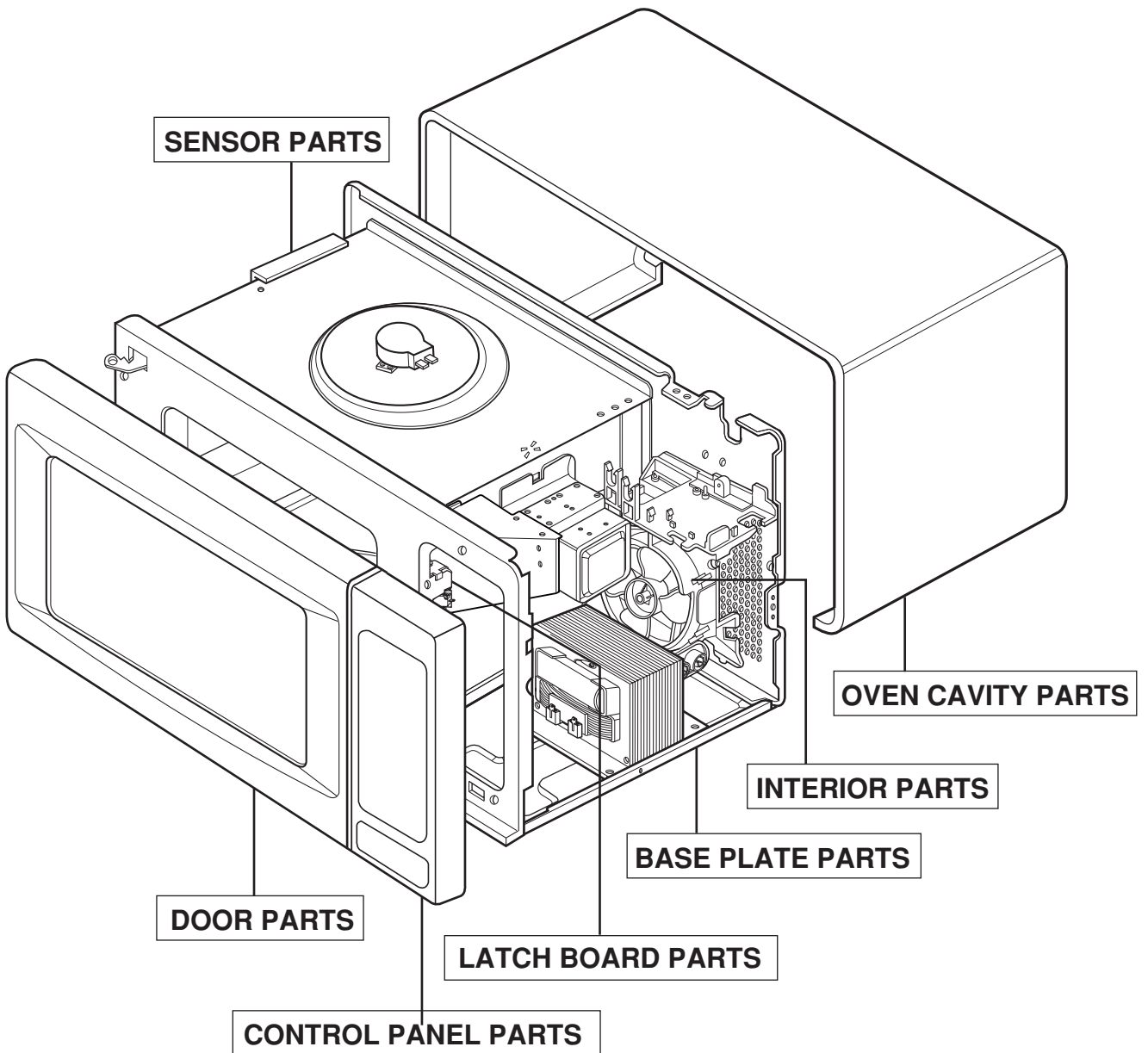
[Find Your GE Microwave Parts - Select From 3055 Models](#)

----- Manual continues below -----

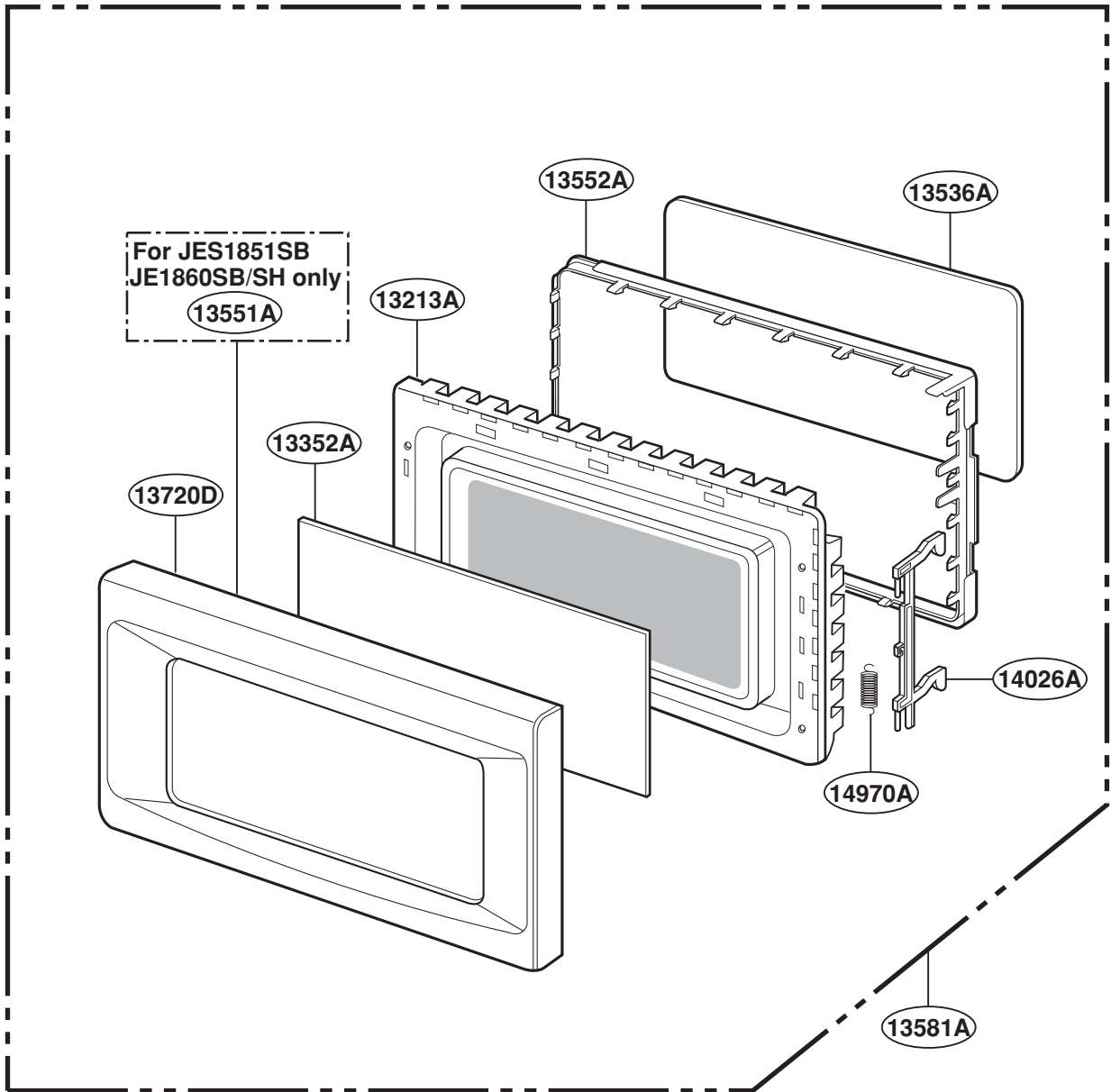
# EXPLODED VIEW

## INTRODUCTION

Model : JE1860WH / JE1860BH  
JE1860CH / JE1860WB  
JE1860GB / JE1860CB  
JE1860SB / JE1860SH  
JES1851GB / JES1851WB  
JES1851AB / JES1851SB



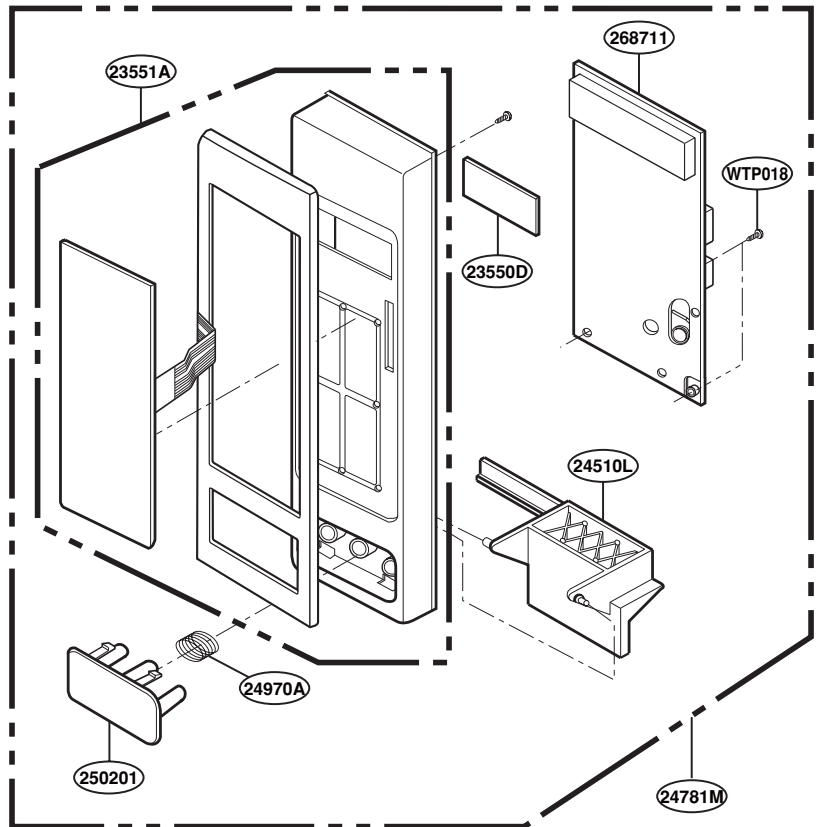
# DOOR PARTS



# CONTROL PANEL PARTS

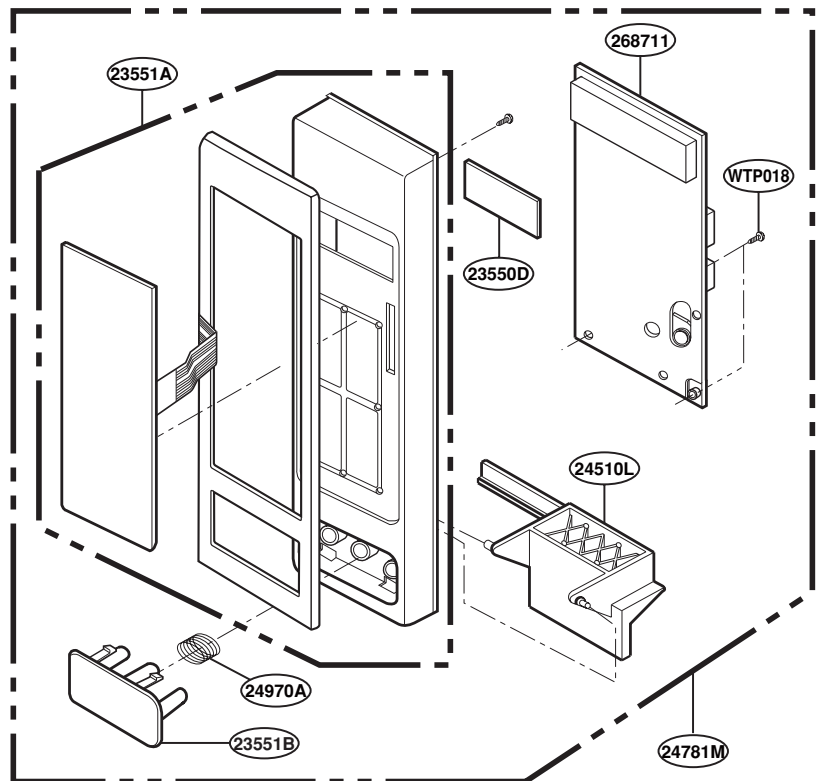
For Model :

- JE1860WH
- JE1860BH
- JE1860CH
- JE1860WB
- JE1860GB
- JE1860CB
- JES1851GB
- JES1851WB
- JES1851AB

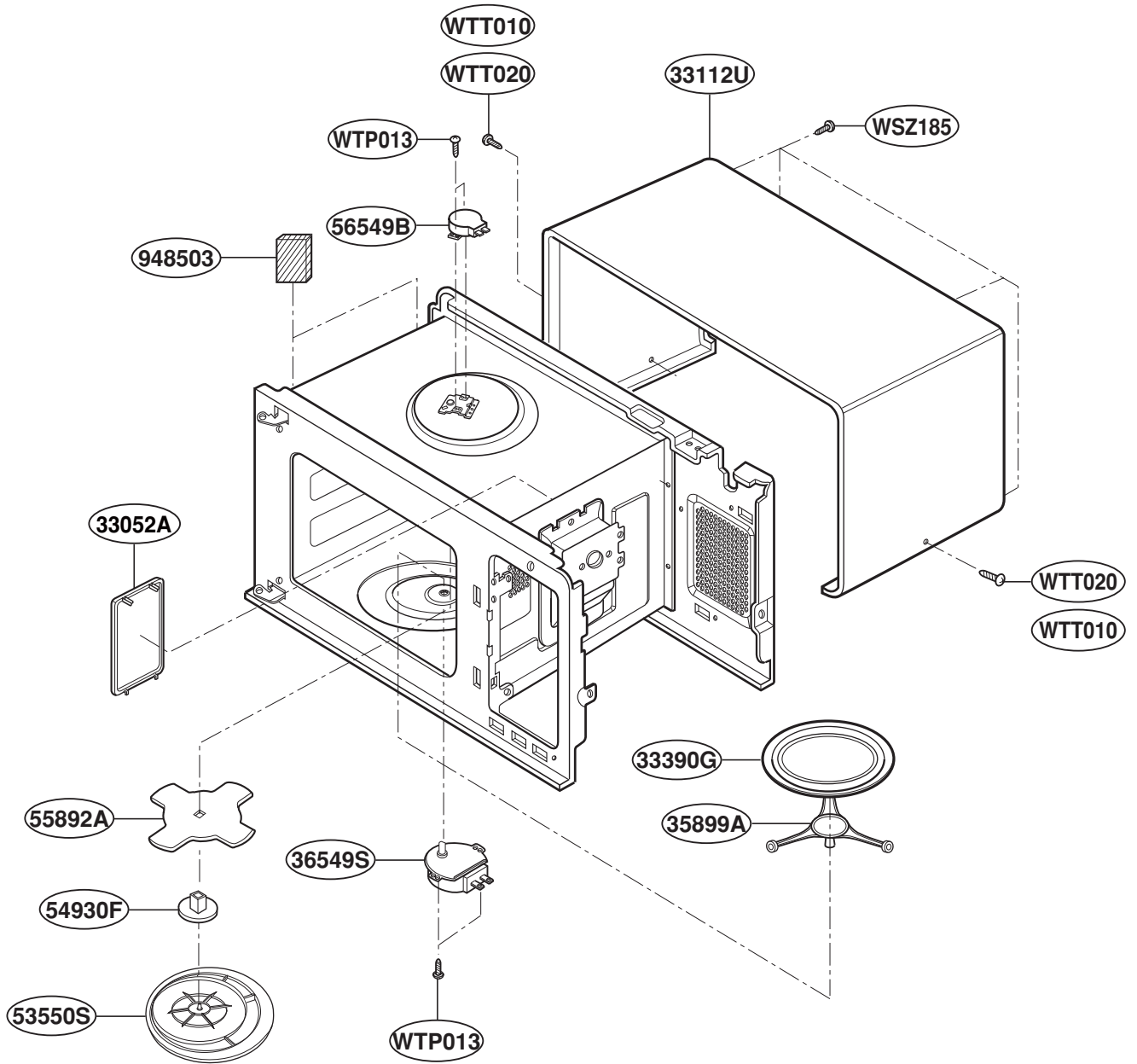


For Model :

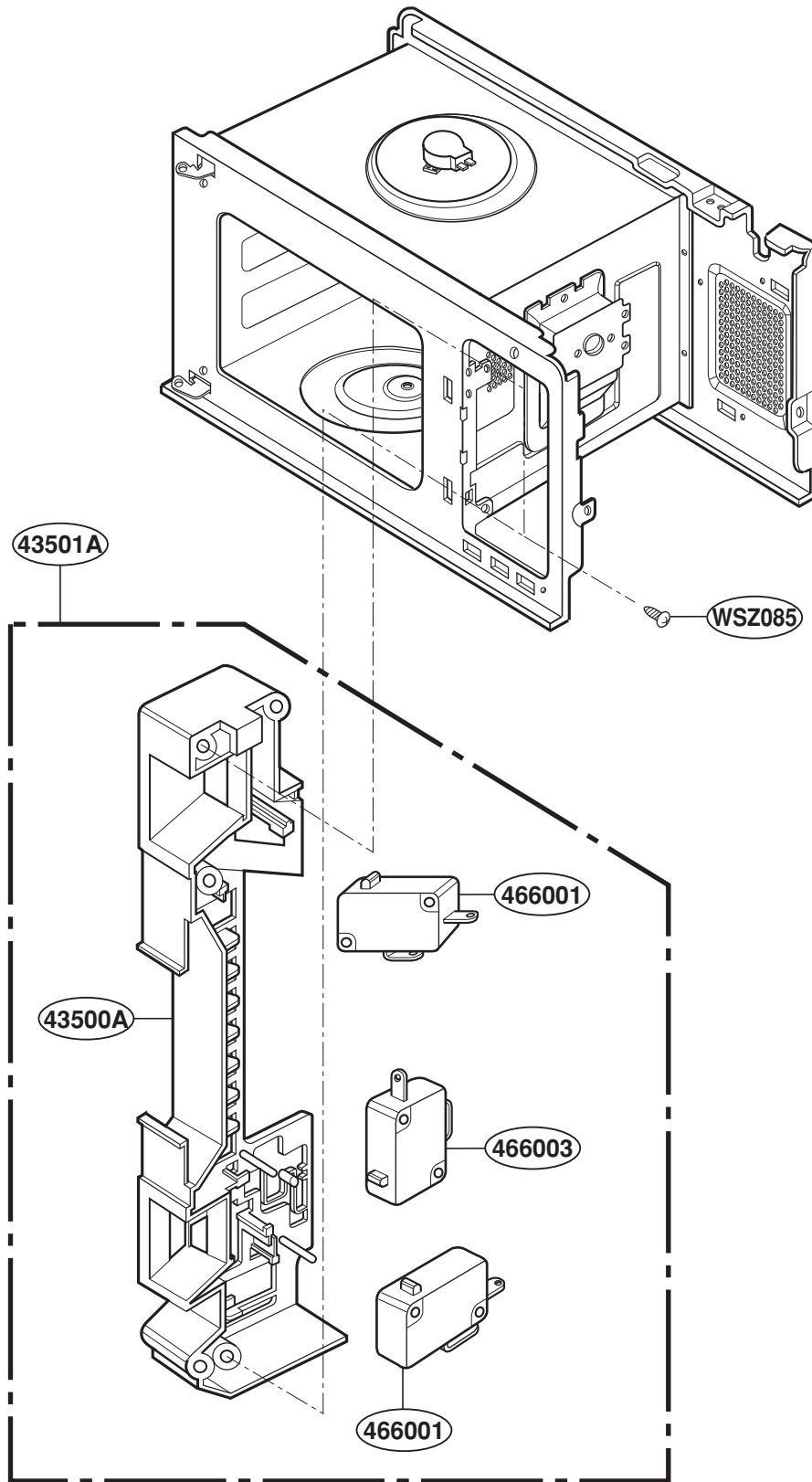
- JE1860SB
- JE1860SH
- JES1851SB



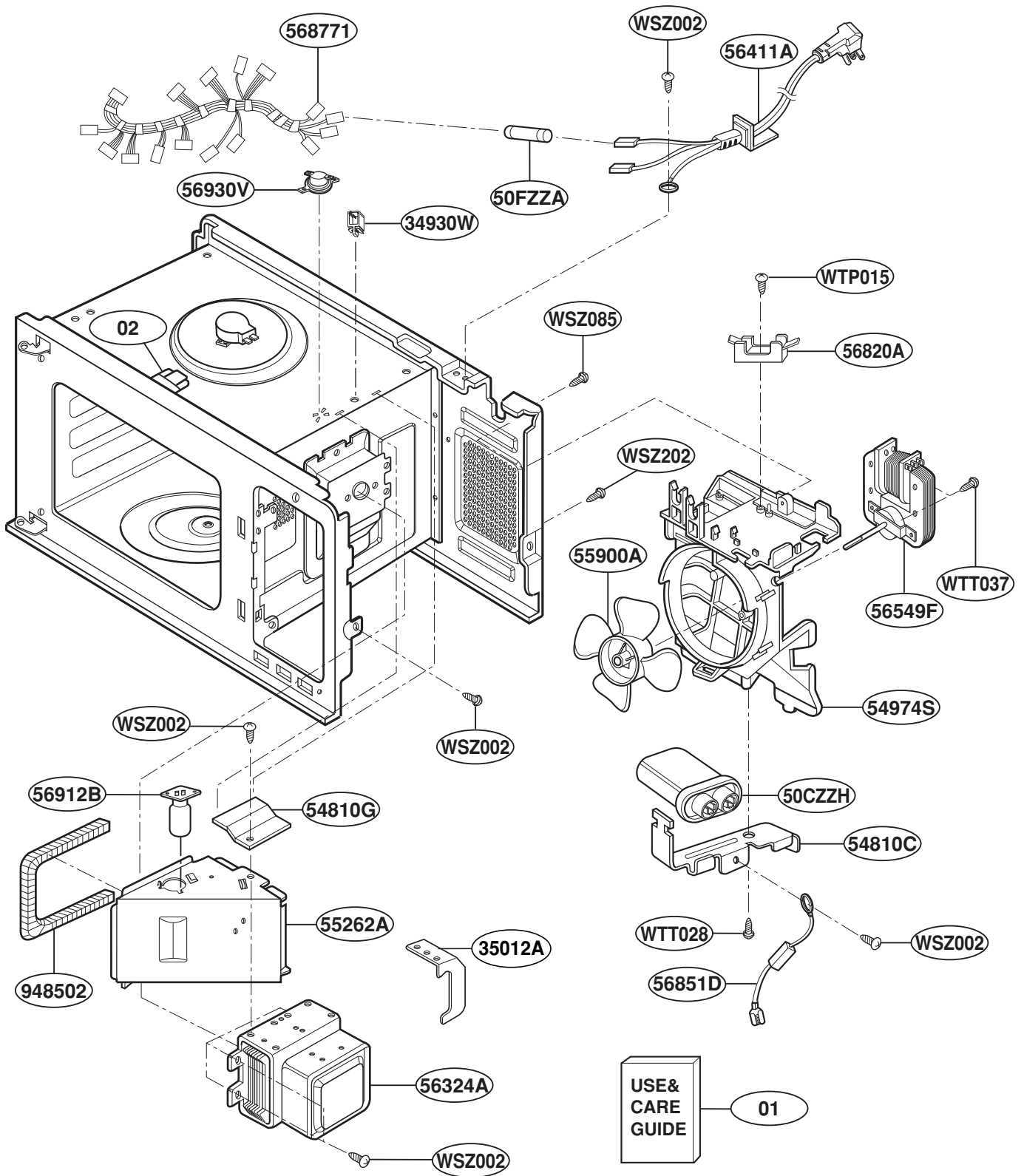
# OVEN CAVITY PARTS



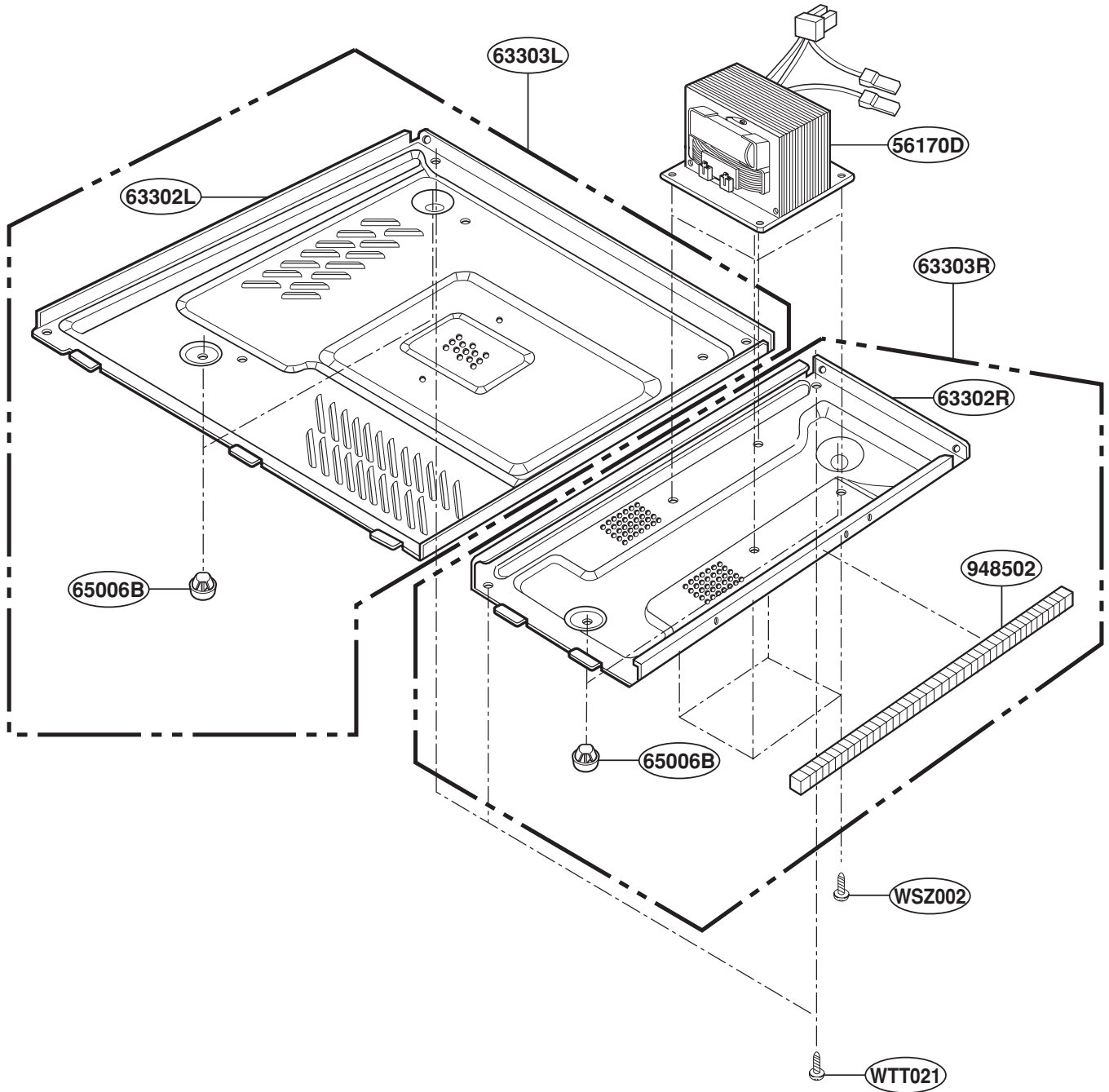
# LATCH BOARD PARTS



# INTERIOR PARTS



# BASE PLATE PARTS



# SENSOR PARTS

