

This Owner's Manual is provided and hosted by [Appliance Factory Parts](#).



GE JES1451WJ01 Owner's Manual

[Shop genuine replacement parts for GE JES1451WJ01](#)



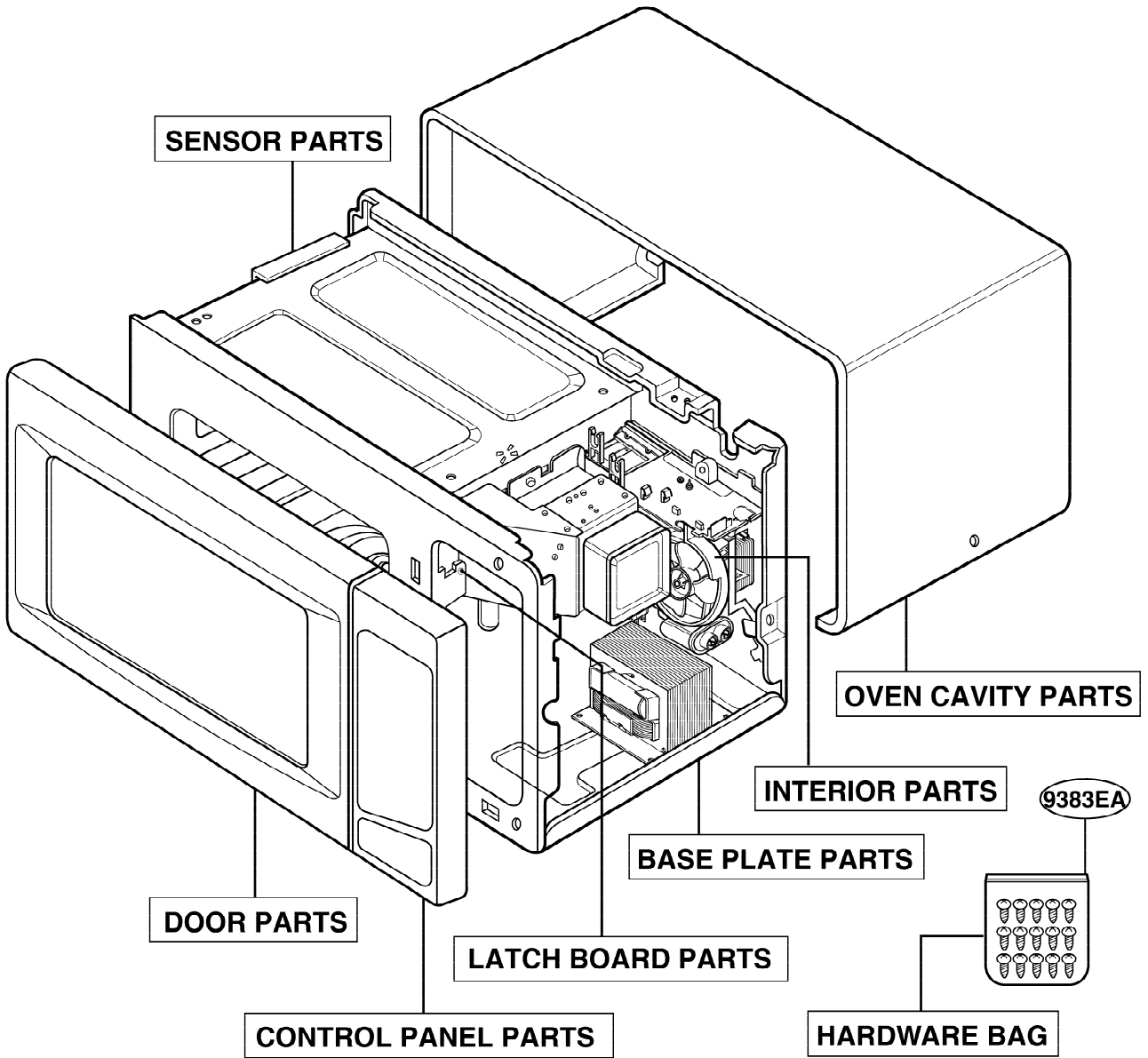
[Find Your GE Microwave Parts - Select From 3055 Models](#)

----- Manual continues below -----

EXPLODED VIEW

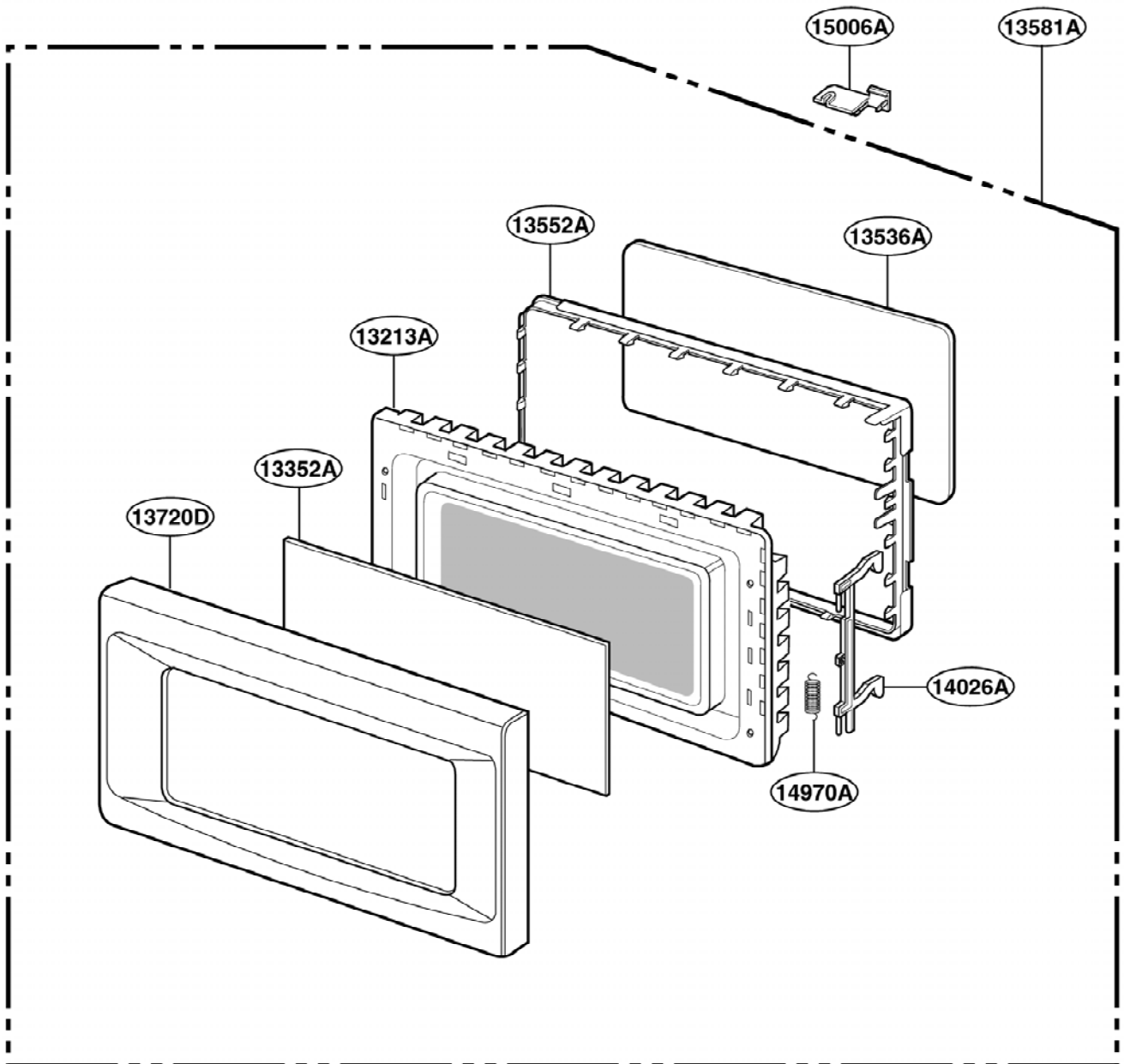
INTRODUCTION

JES1451

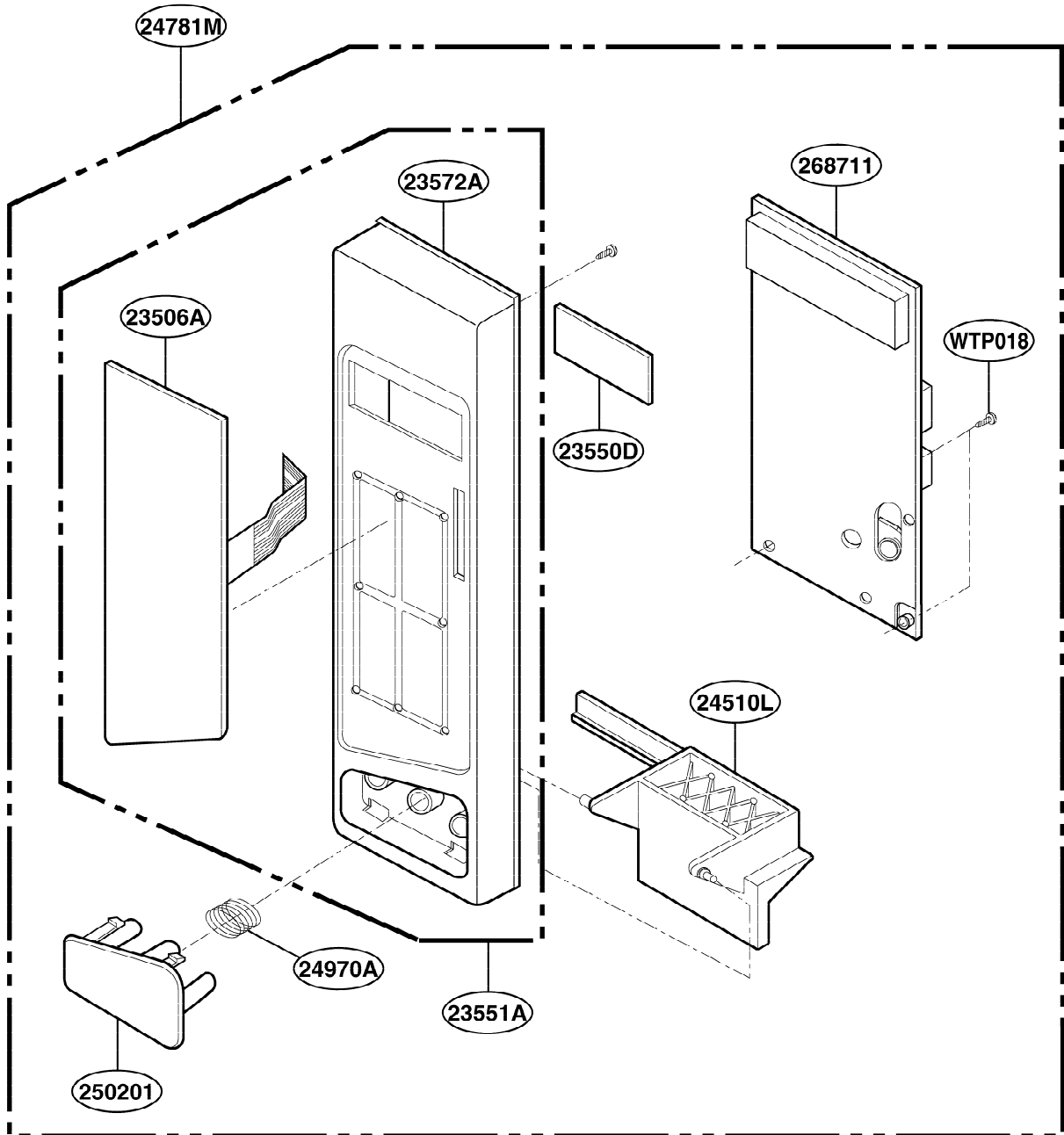


P/NO: 3828W5S4092

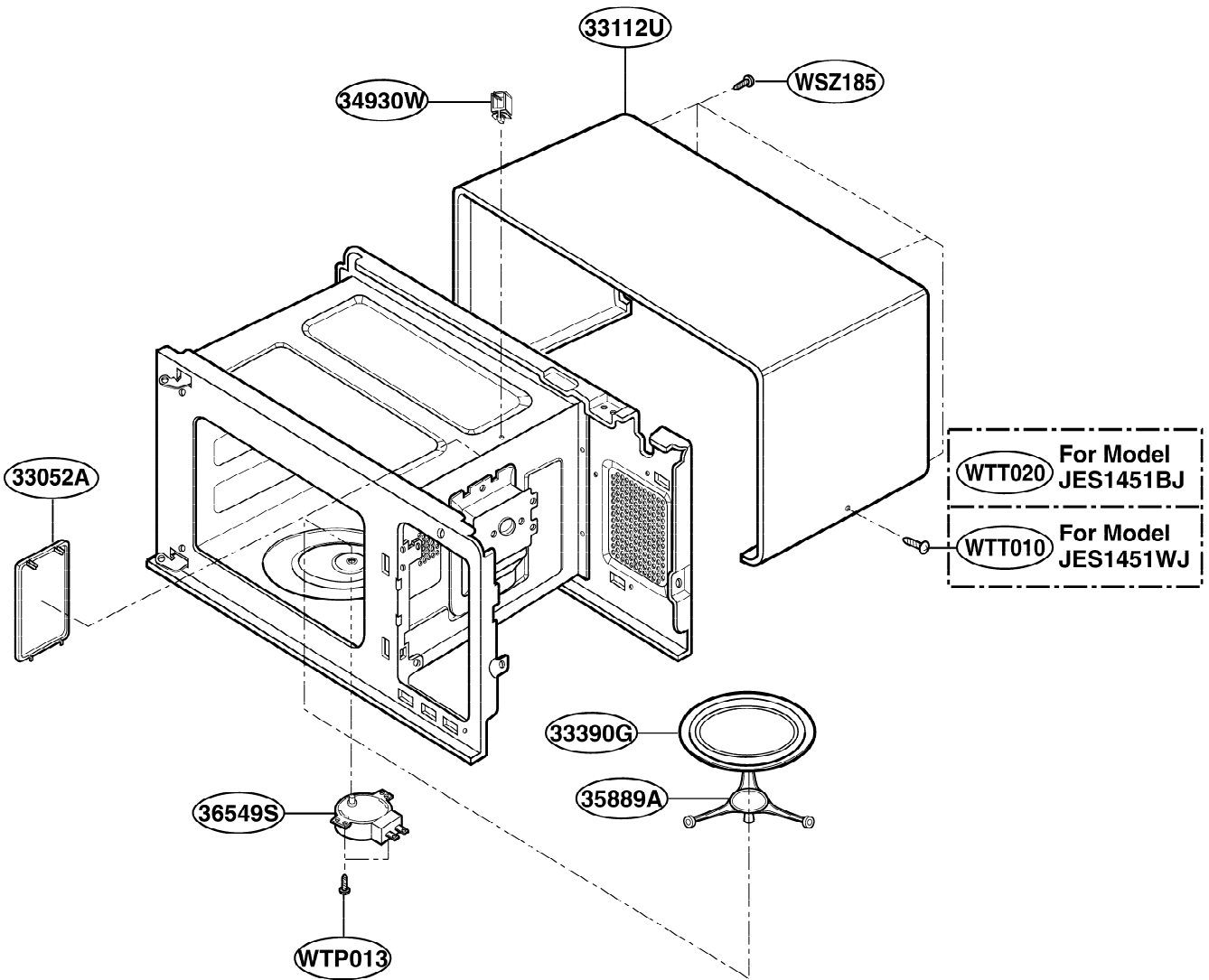
DOOR PARTS



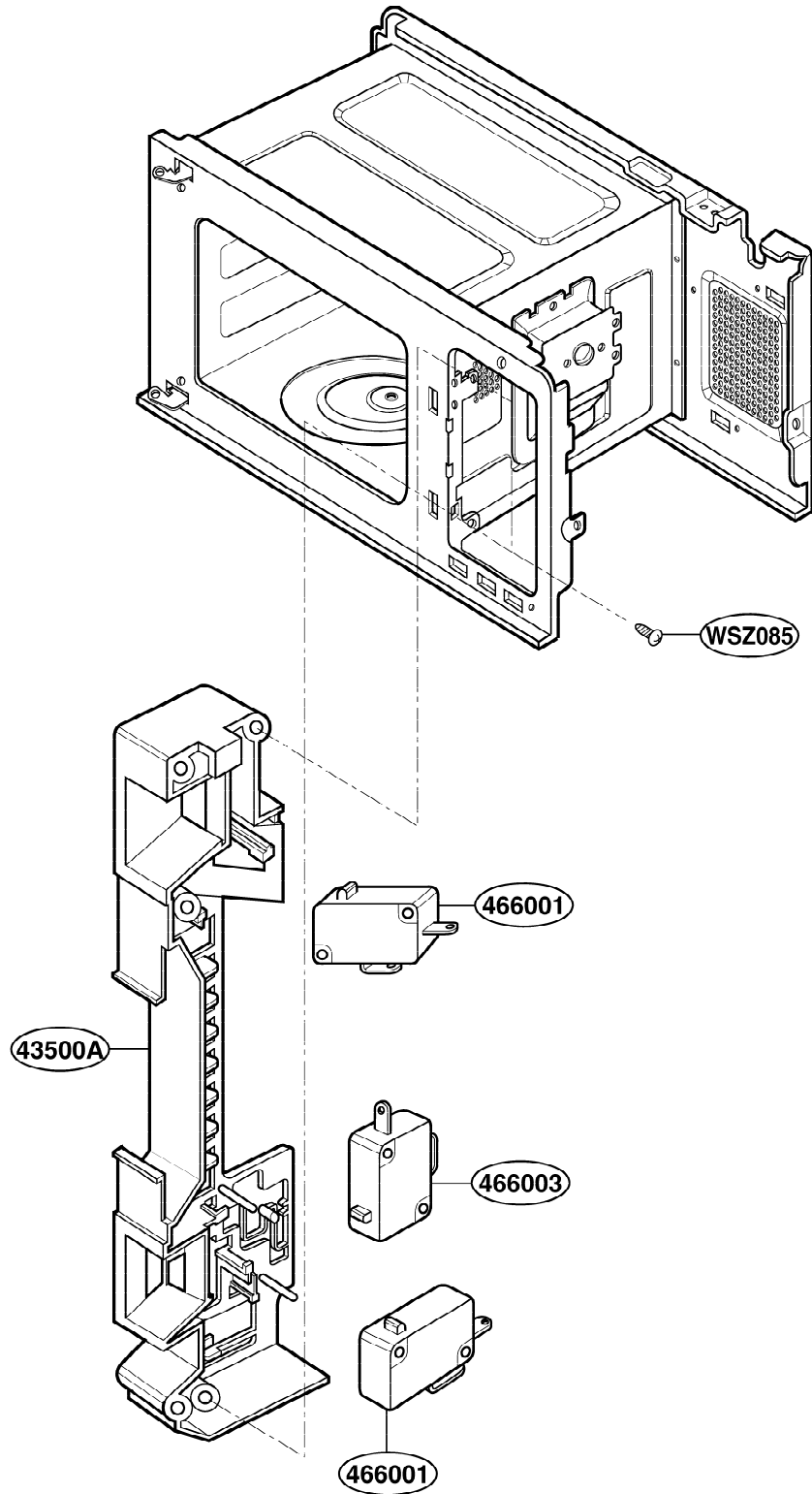
CONTROL PANEL PARTS



OVEN CAVITY PARTS



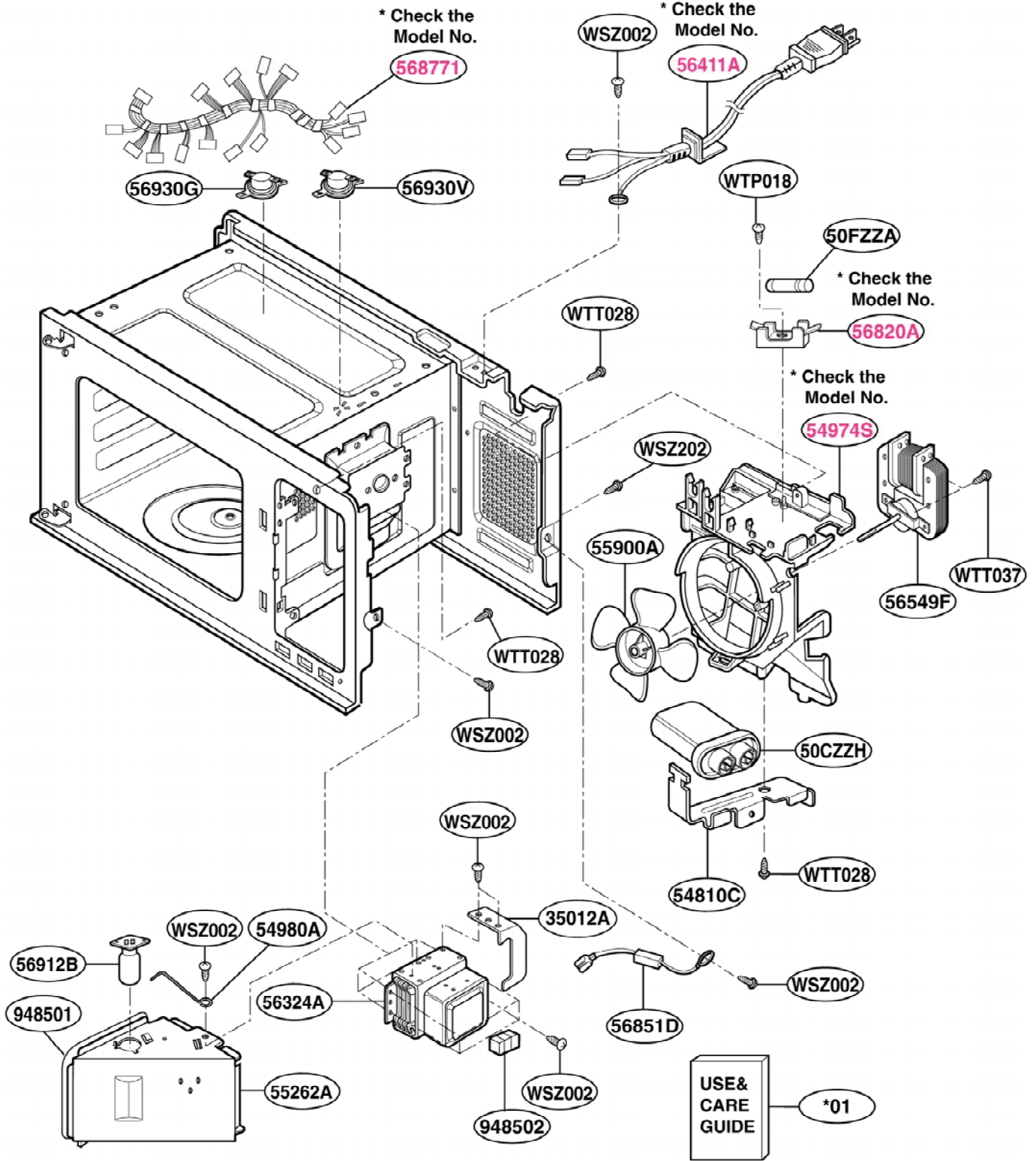
LATCH BOARD PARTS



INTERIOR PARTS (I)

Model: JES1451WJ 01
JES1451BJ 01

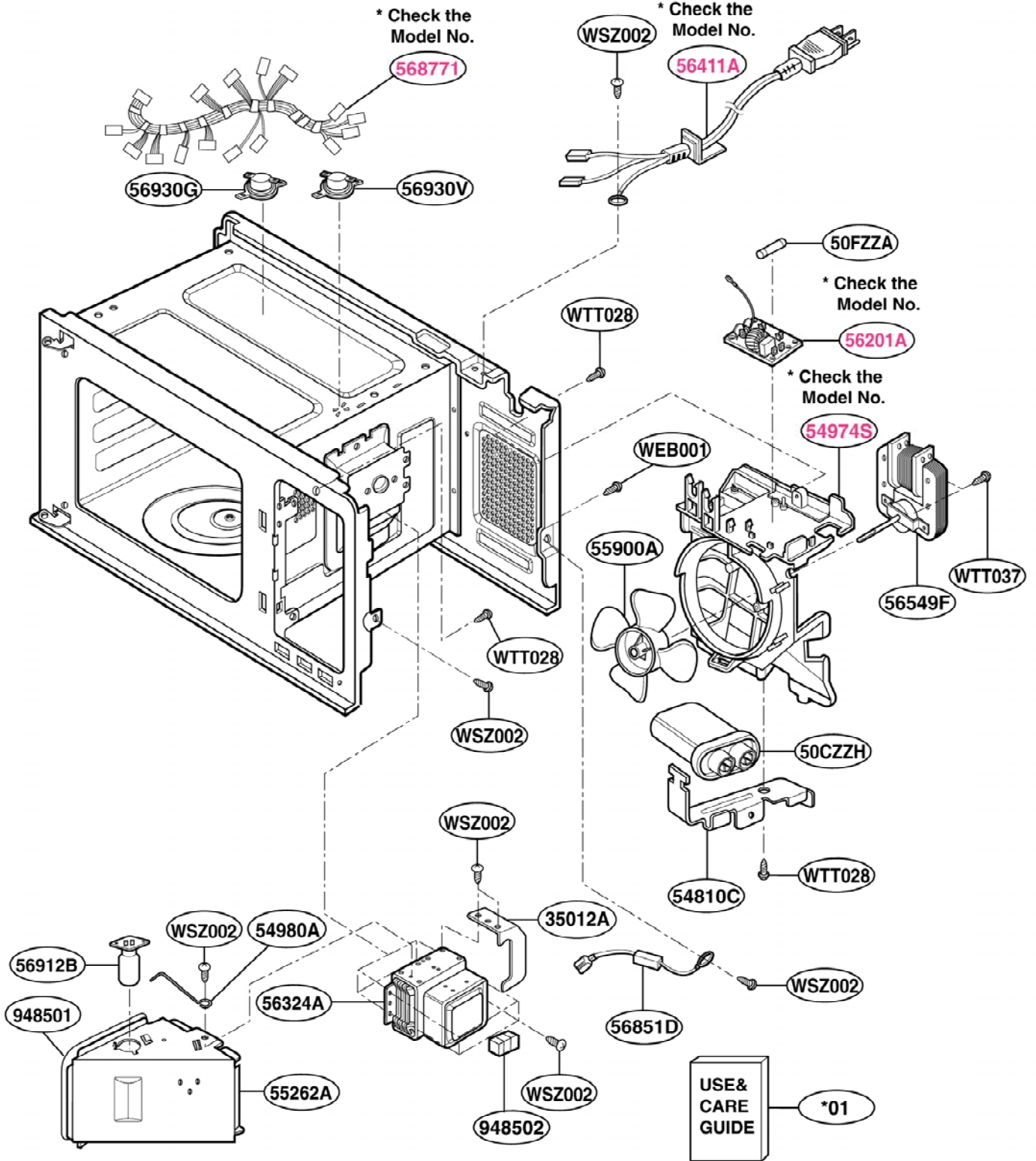
Check the rating label of **Model** and order SVC parts according to the **Model No.**



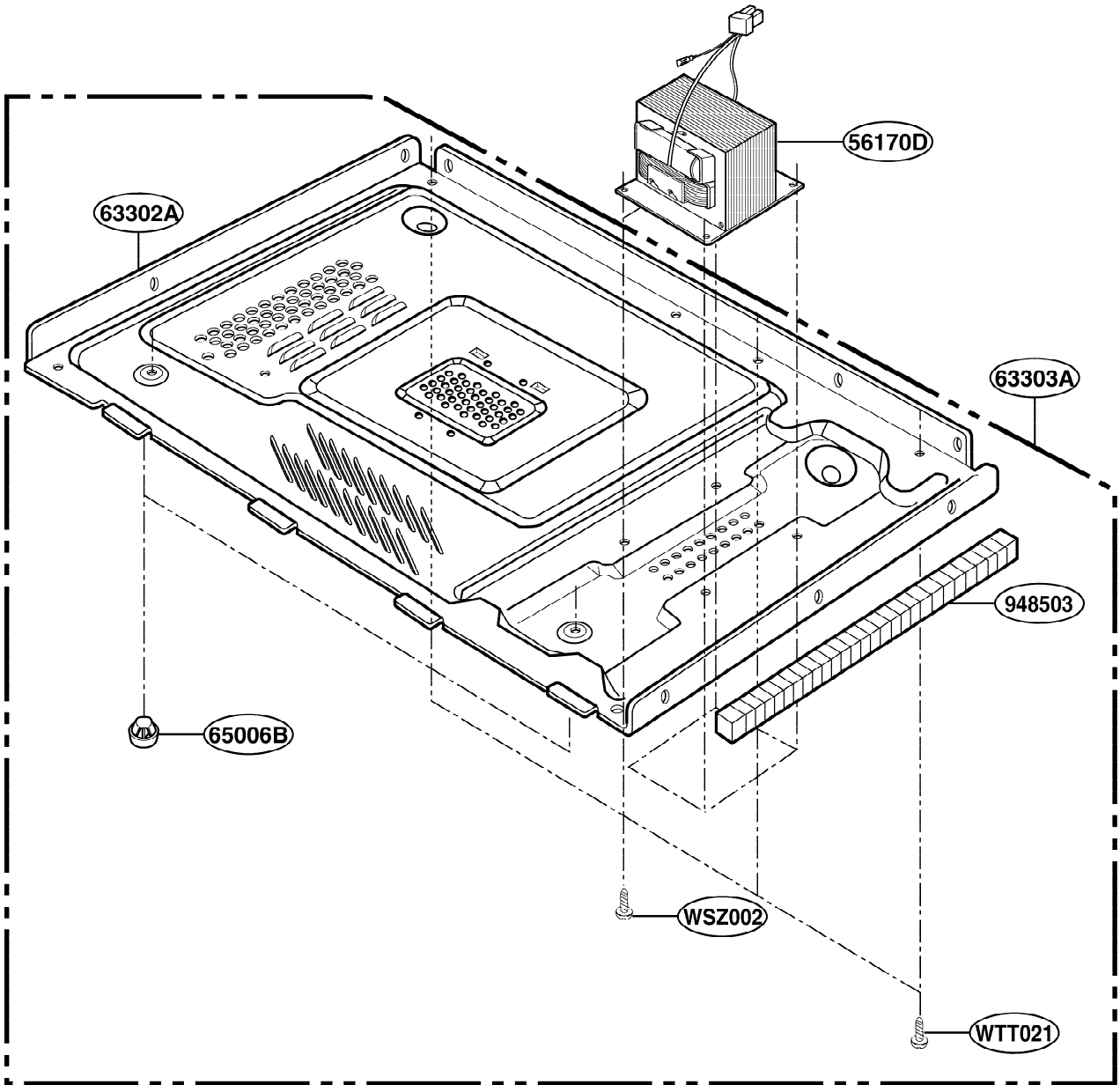
INTERIOR PARTS (II)

Model: JES1451WJ 02
JES1451BJ 02

Check the rating label of **Model** and order SVC parts according to the **Model No.**



BASE PLATE PARTS



SENSOR PARTS

