

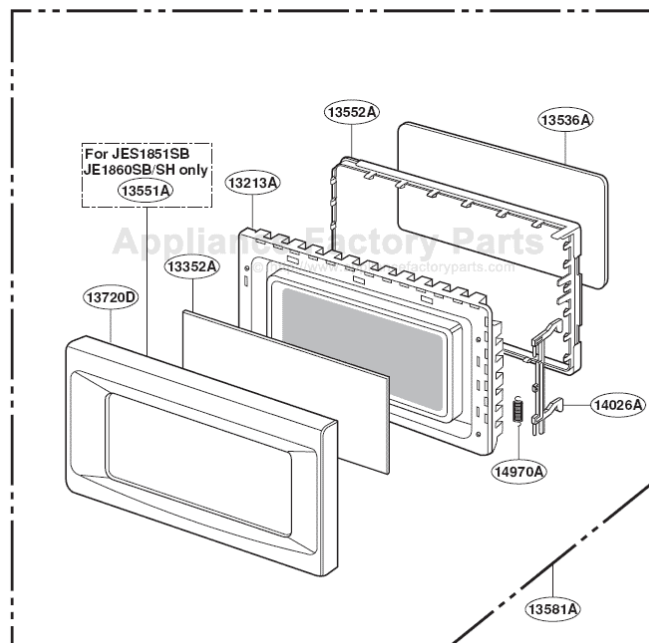
This Owner's Manual is provided and hosted by [Appliance Factory Parts](#).



GE JES1851GB001 Owner's Manual

[Shop genuine replacement parts for GE JES1851GB001](#)

DOOR PARTS



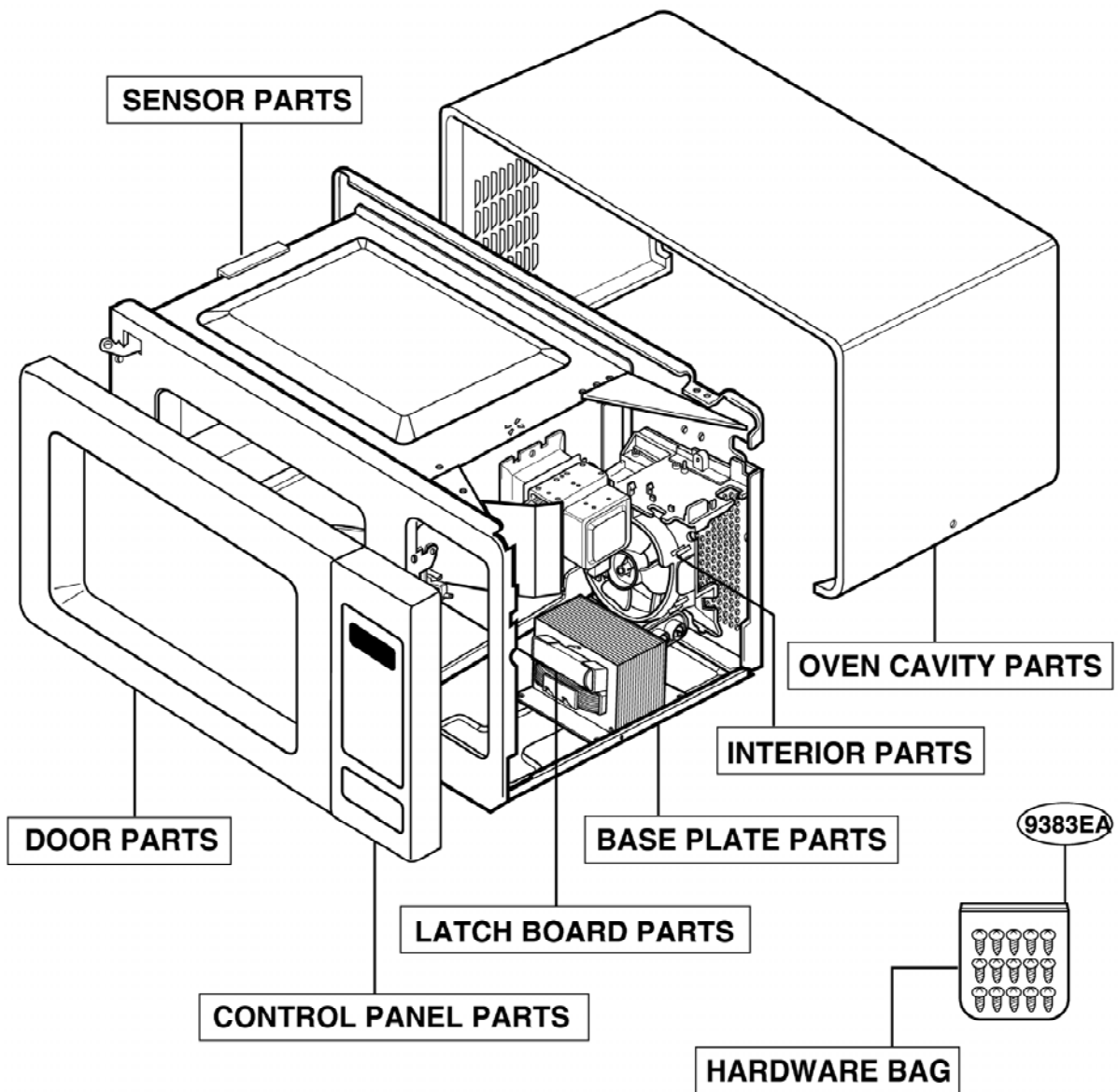
[Find Your GE Microwave Parts - Select From 3055 Models](#)

----- Manual continues below -----

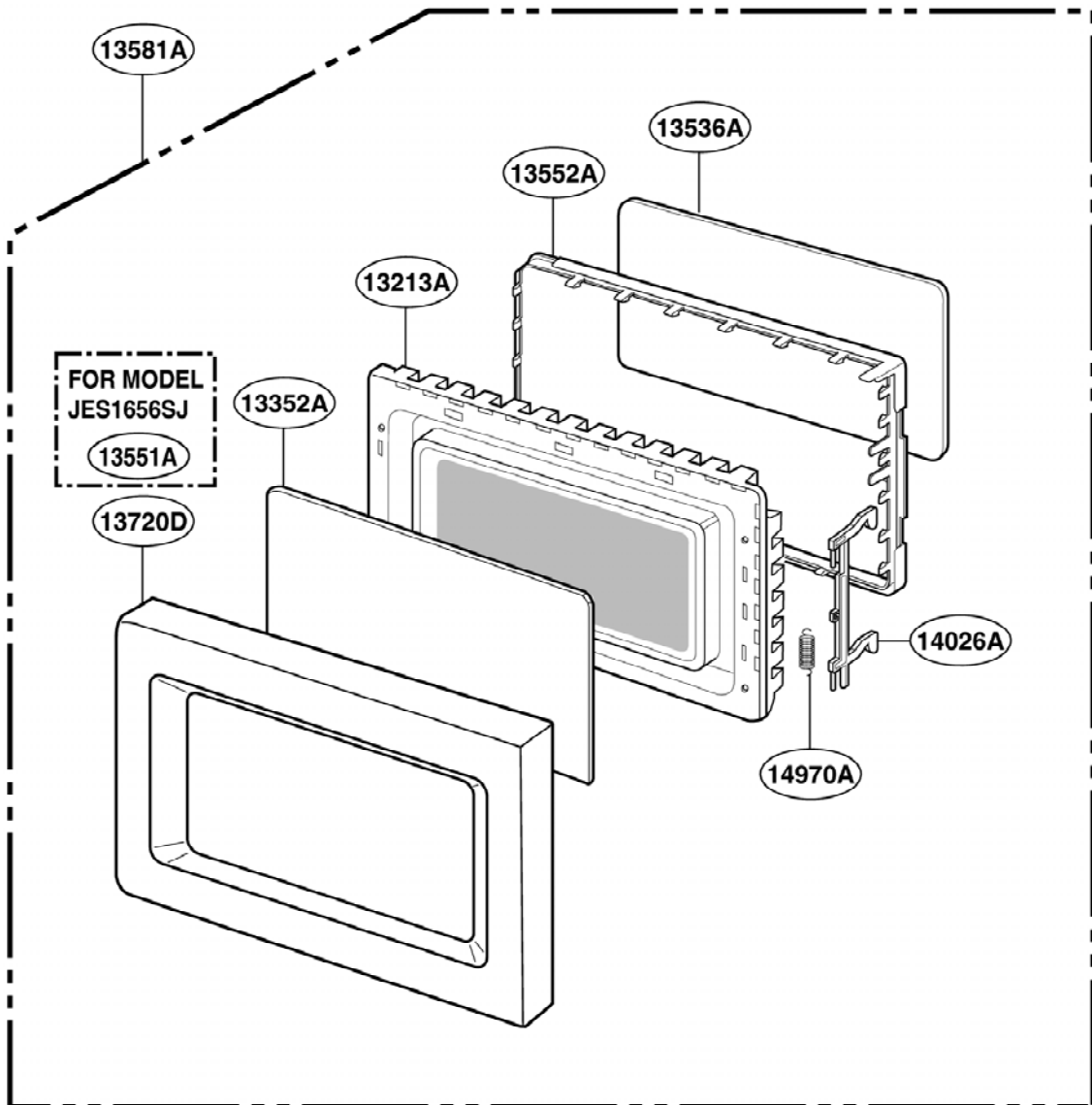
EXPLODED VIEW

INTRODUCTION

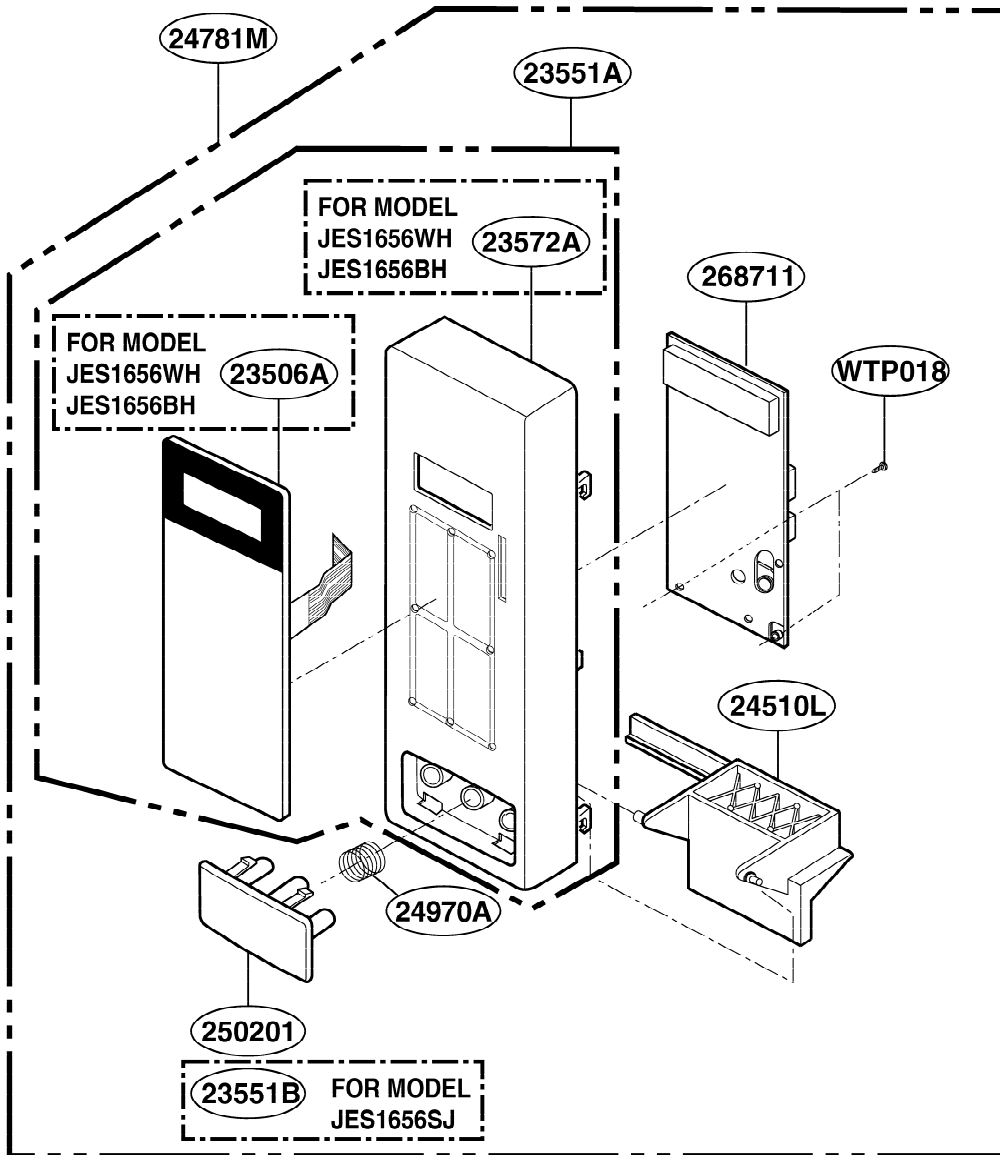
JES1656



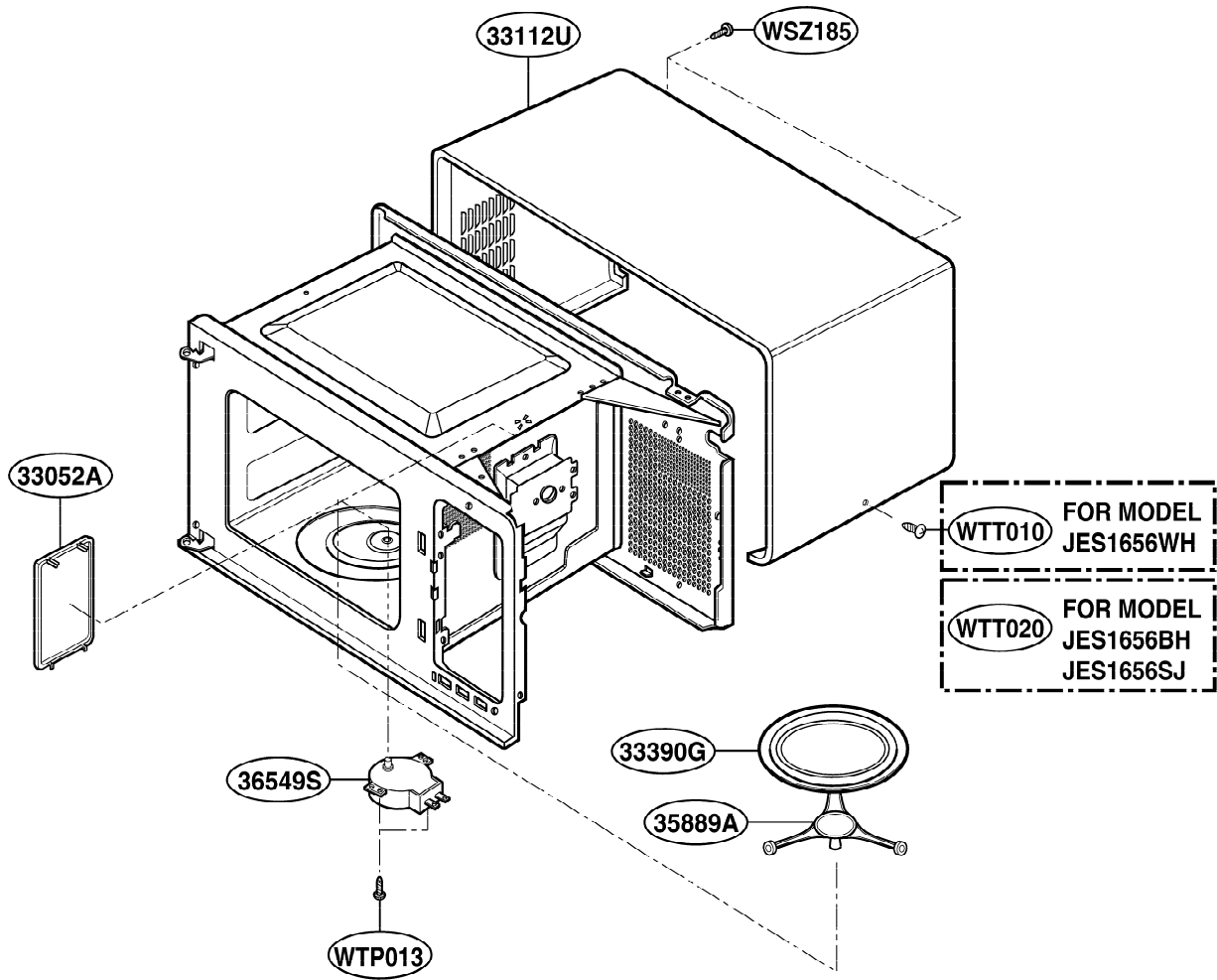
DOOR PARTS



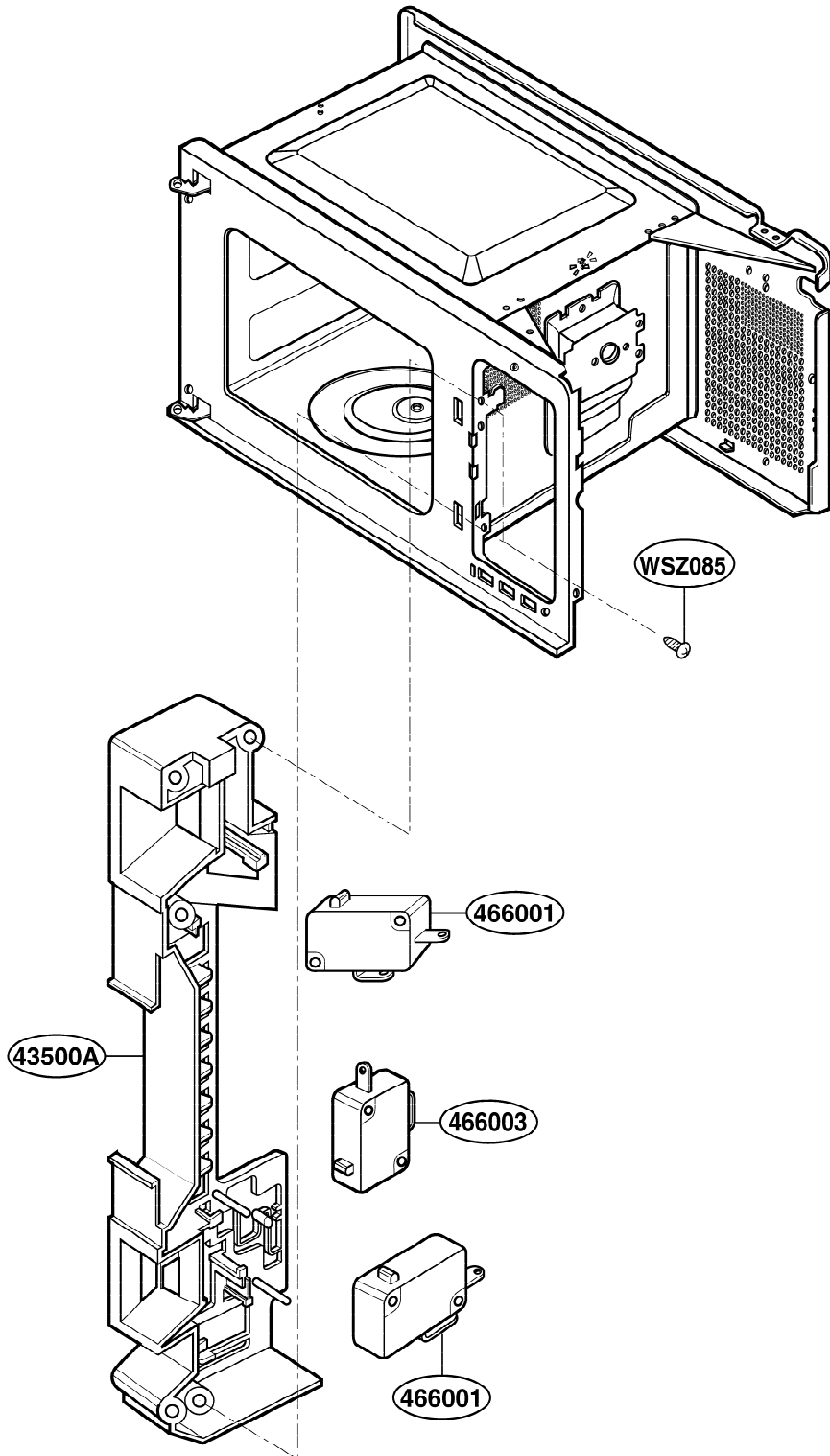
CONTROL PANEL PARTS



OVEN CAVITY PARTS



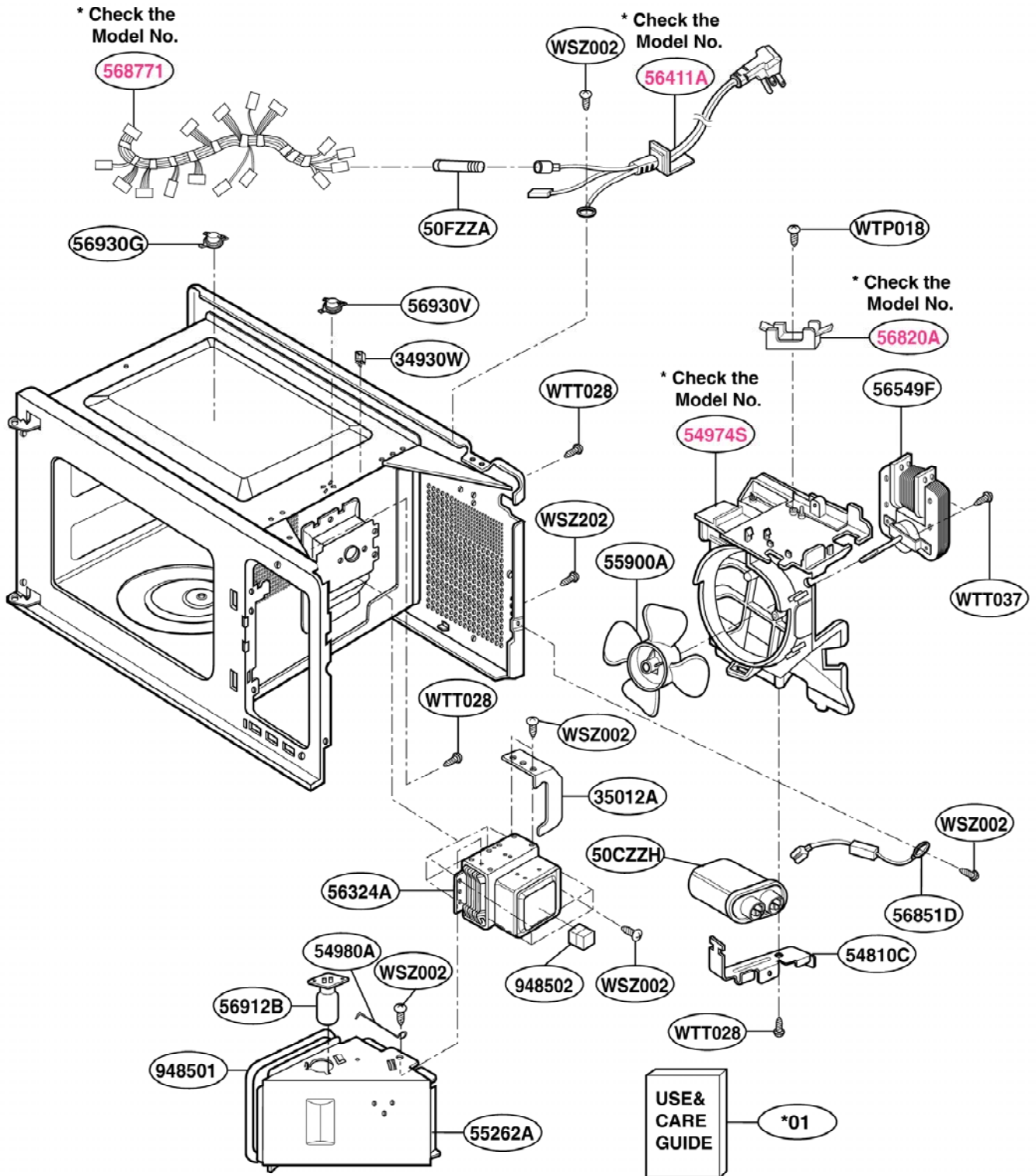
LATCH BOARD PARTS



INTERIOR PARTS (I)

Model: JES1656WH 01
JES1656BH 01
JES1656SJ 01

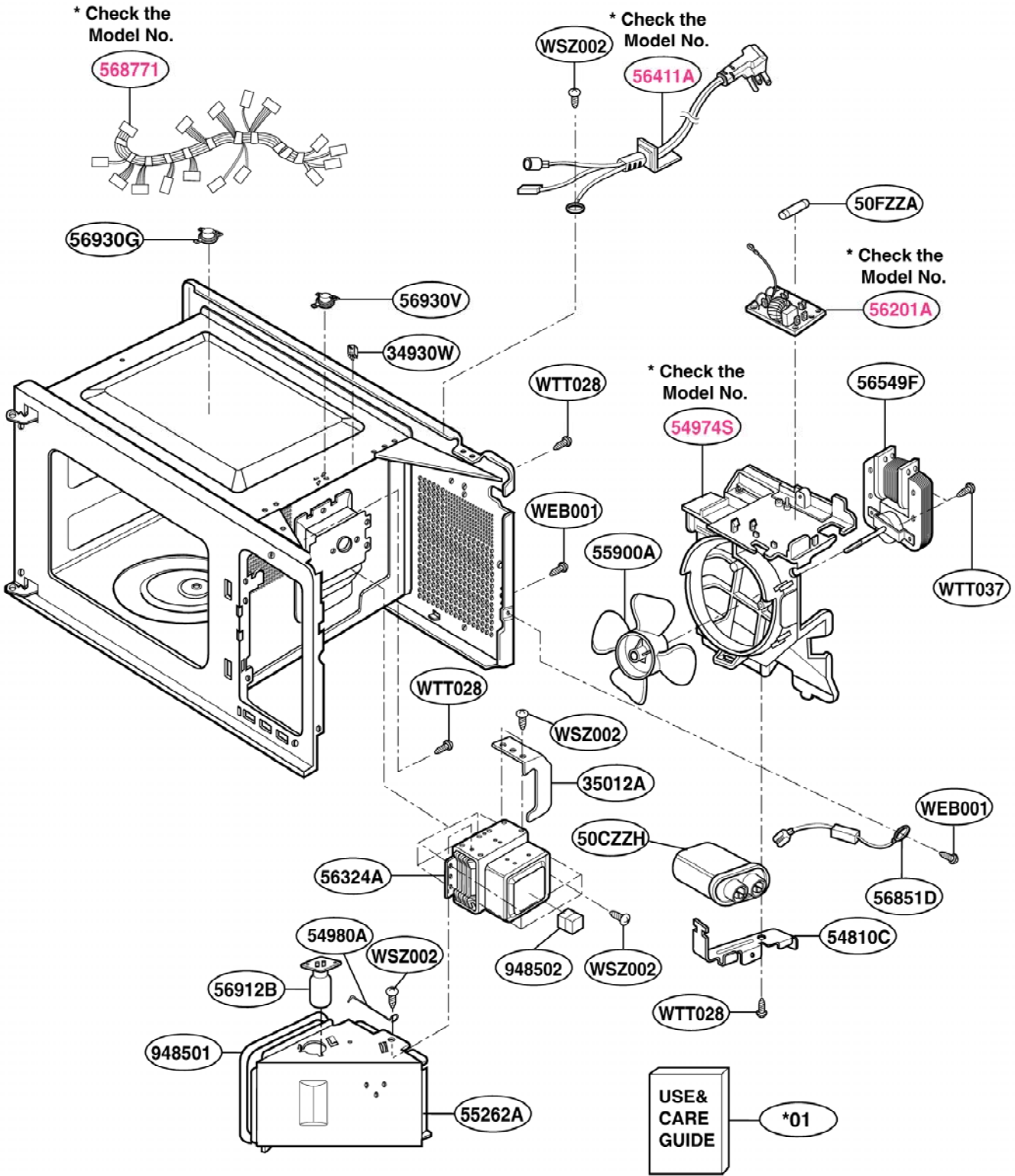
Check the rating label of **Model** and order SVC parts according to the **Model No.**



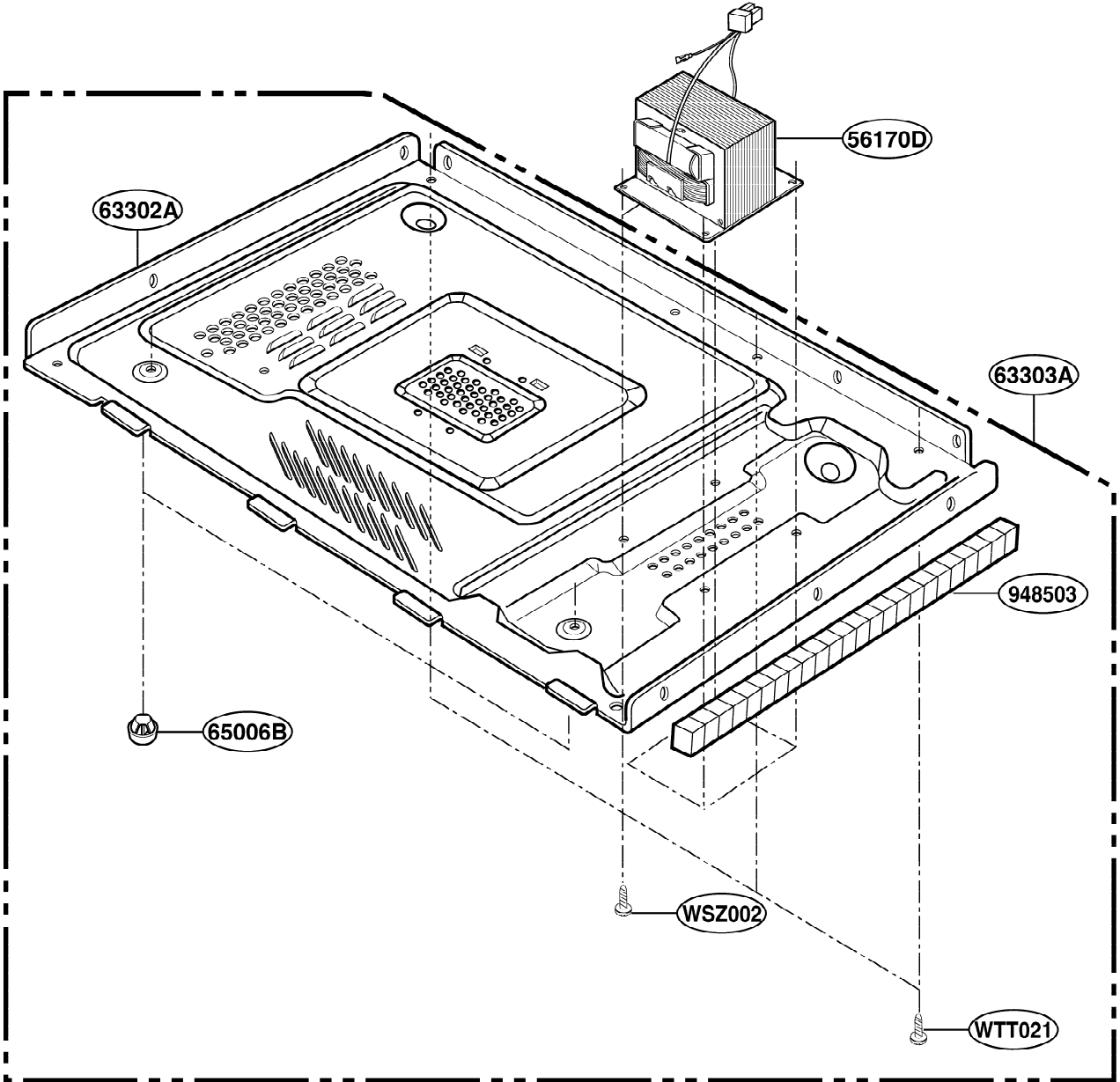
INTERIOR PARTS (II)

Model: JES1656WH 02
JES1656BH 02
JES1656SJ 02

Check the rating label of **Model** and order SVC parts according to the **Model No.**



BASE PLATE PARTS



SENSOR PARTS

