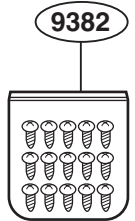
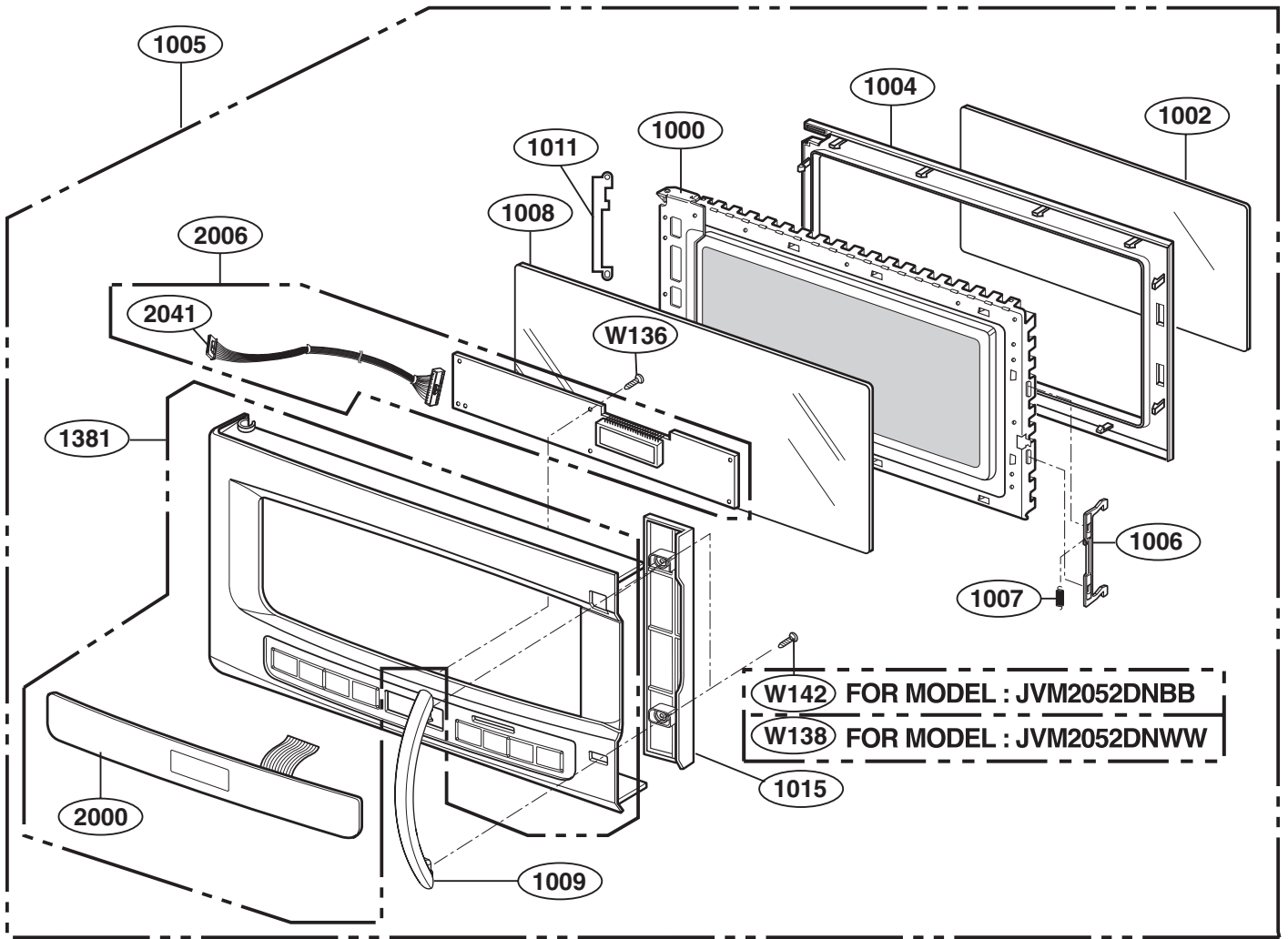


EXPLODED VIEW

DOOR PARTS (I)

FOR MODELS: JVM2052DNBB
JVM2052DNWW

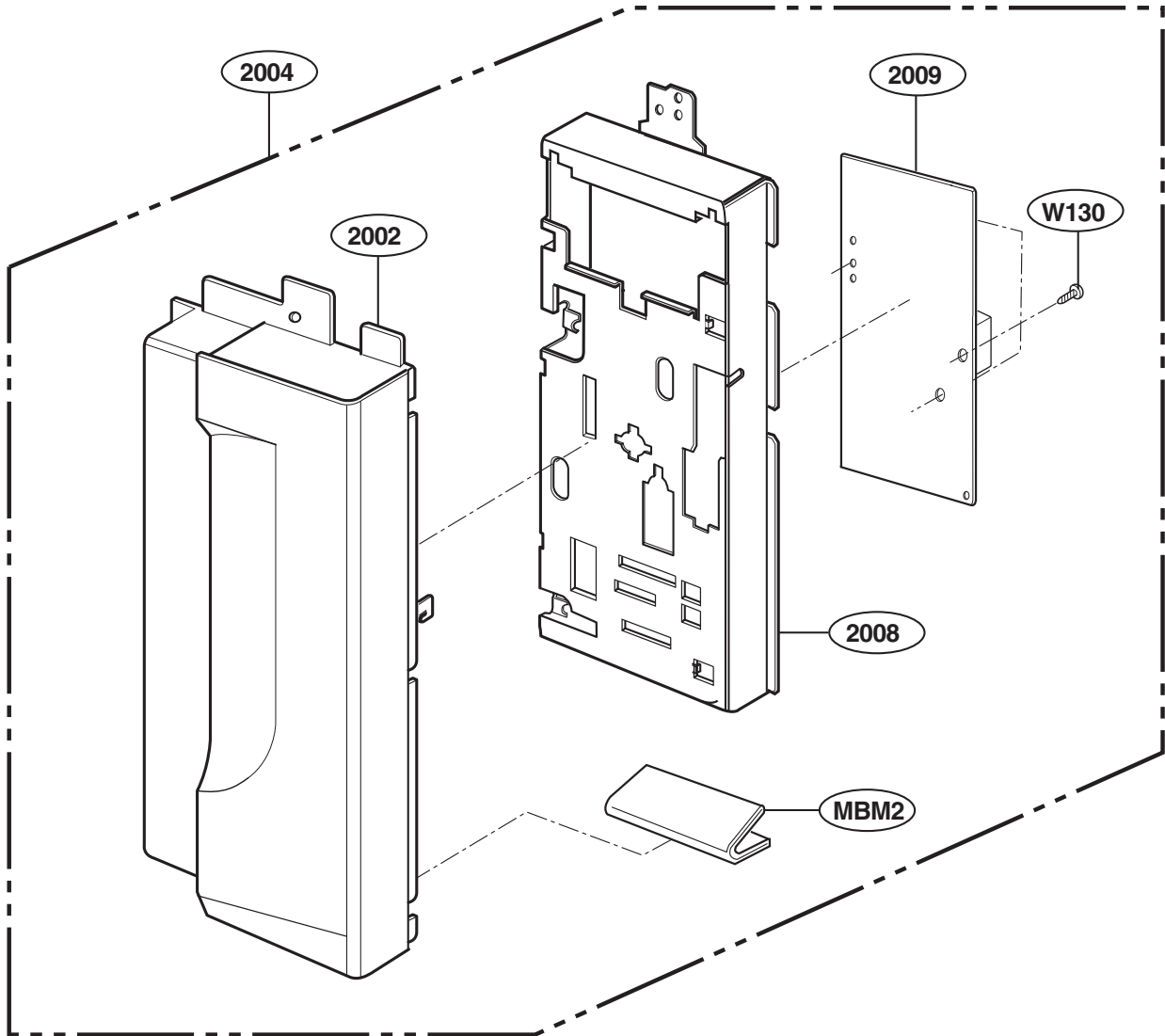


**INSTALLATION
HARDWARE
BAG**

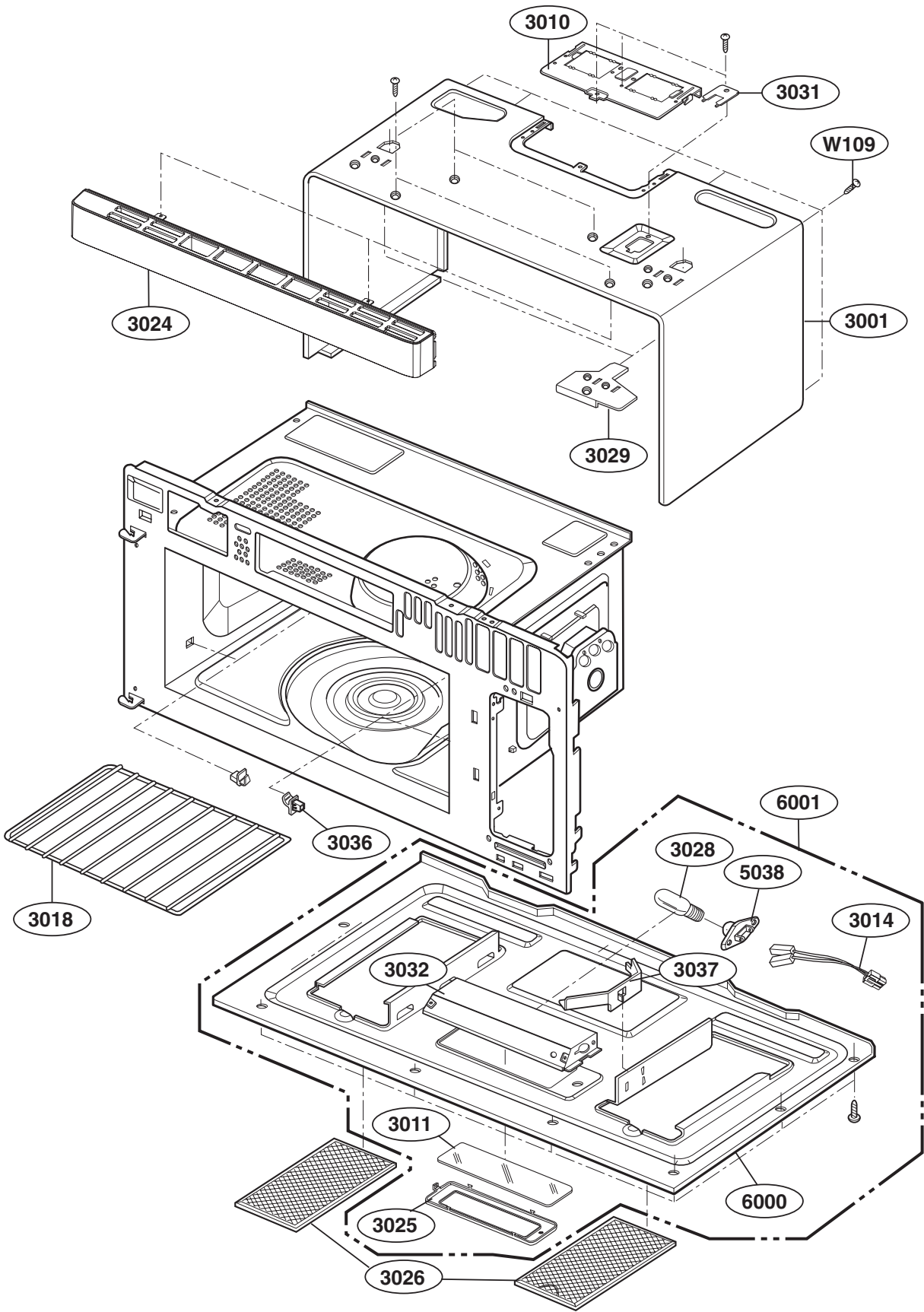
P/No: MFL57027302

CONTROLLER PARTS (I)

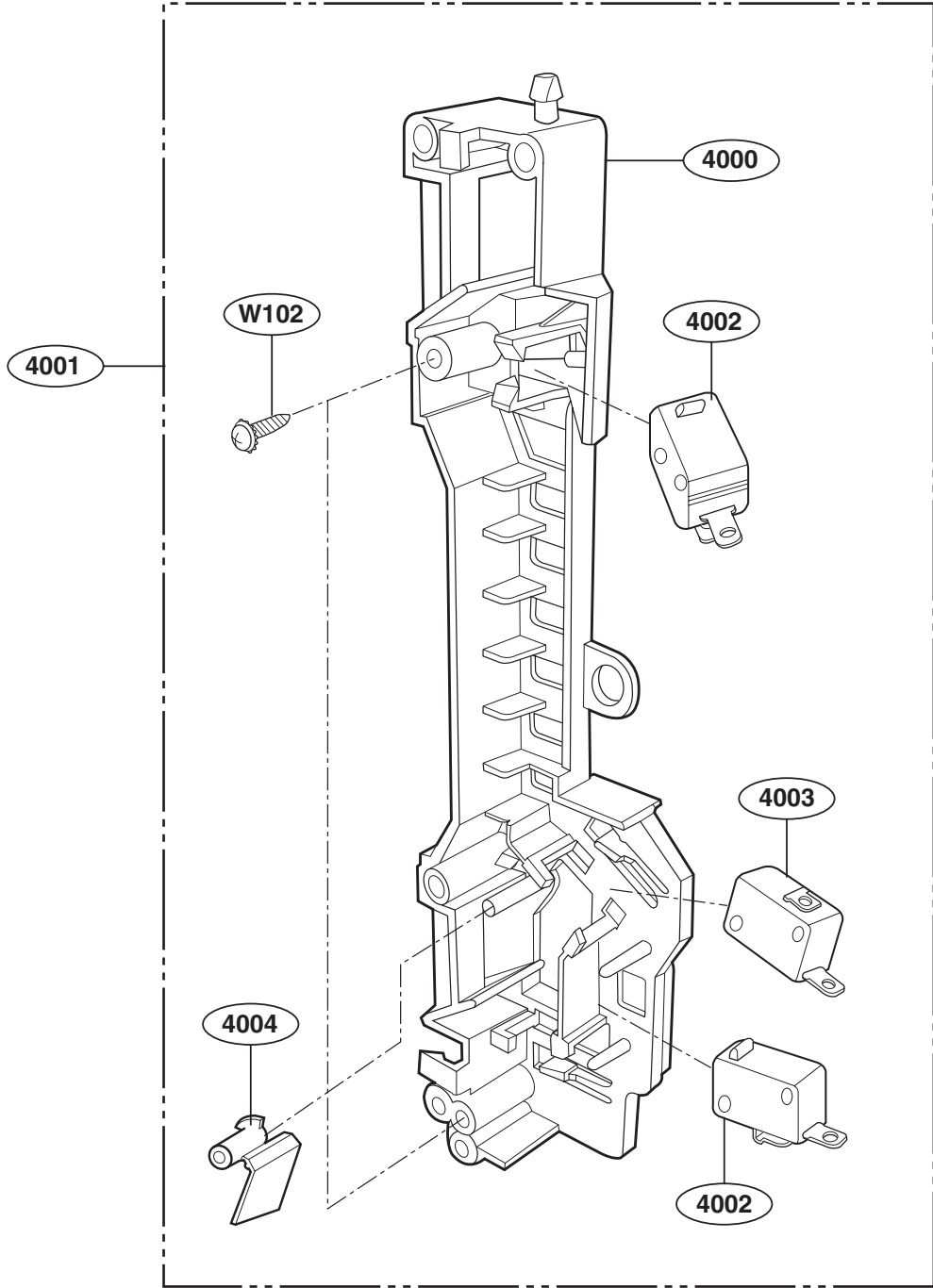
FOR MODELS: JVM2052DNBB
JVM2052DNWW



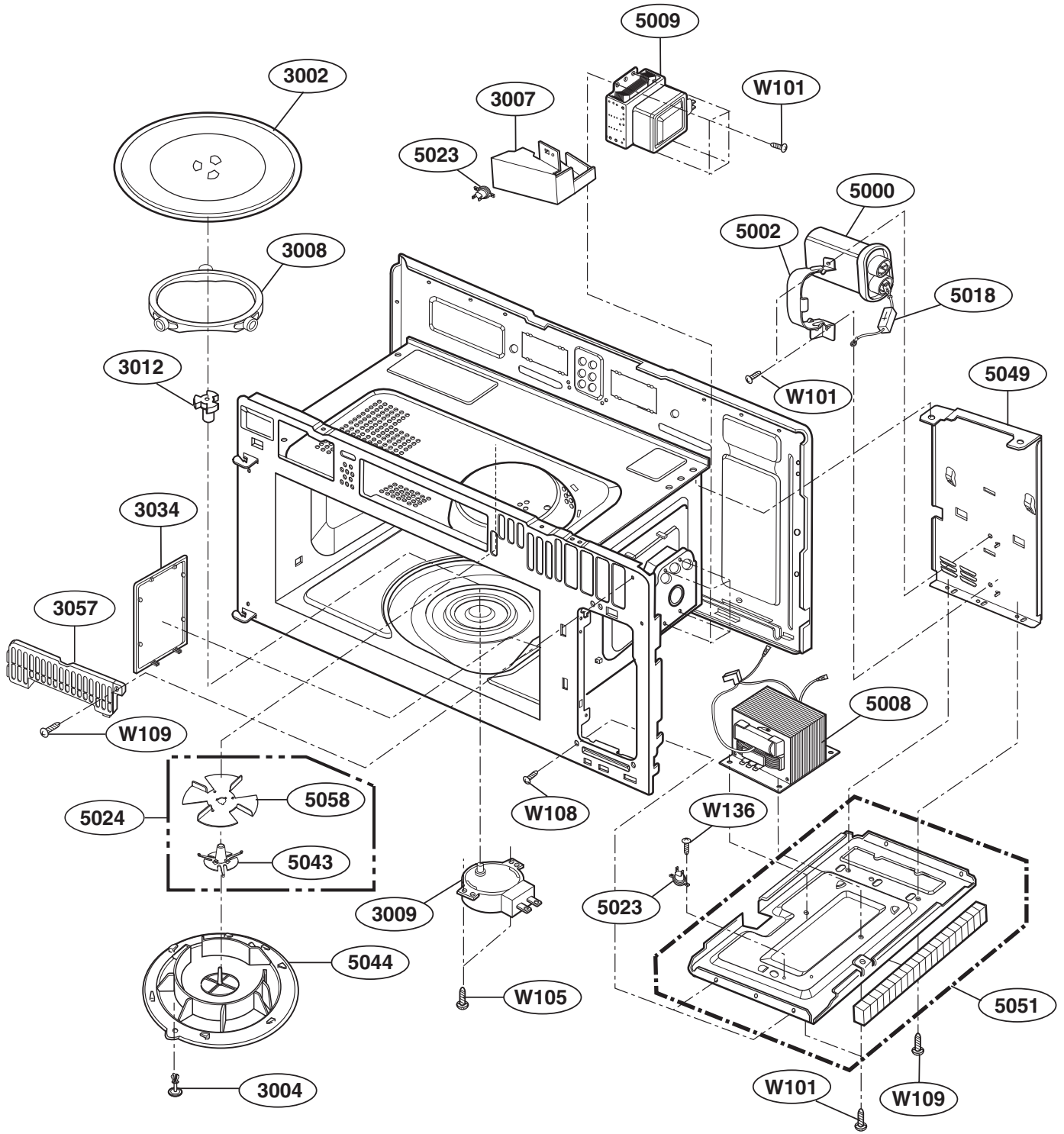
OVEN CAVITY PARTS



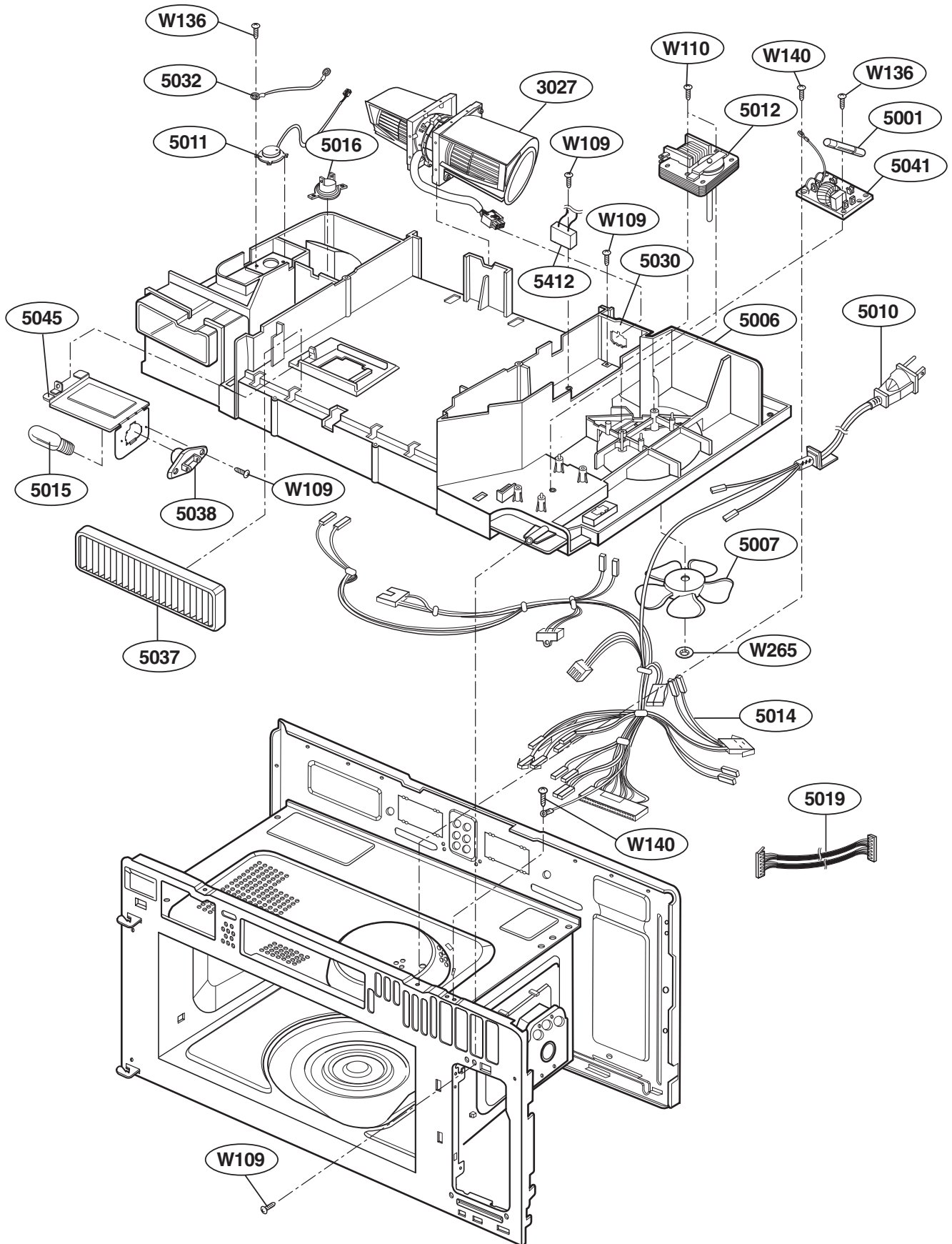
LATCH BOARD PARTS



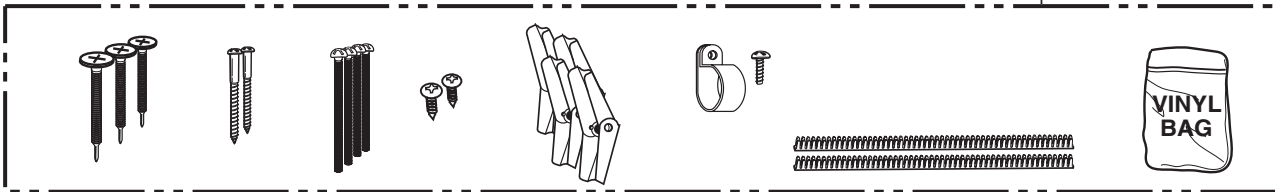
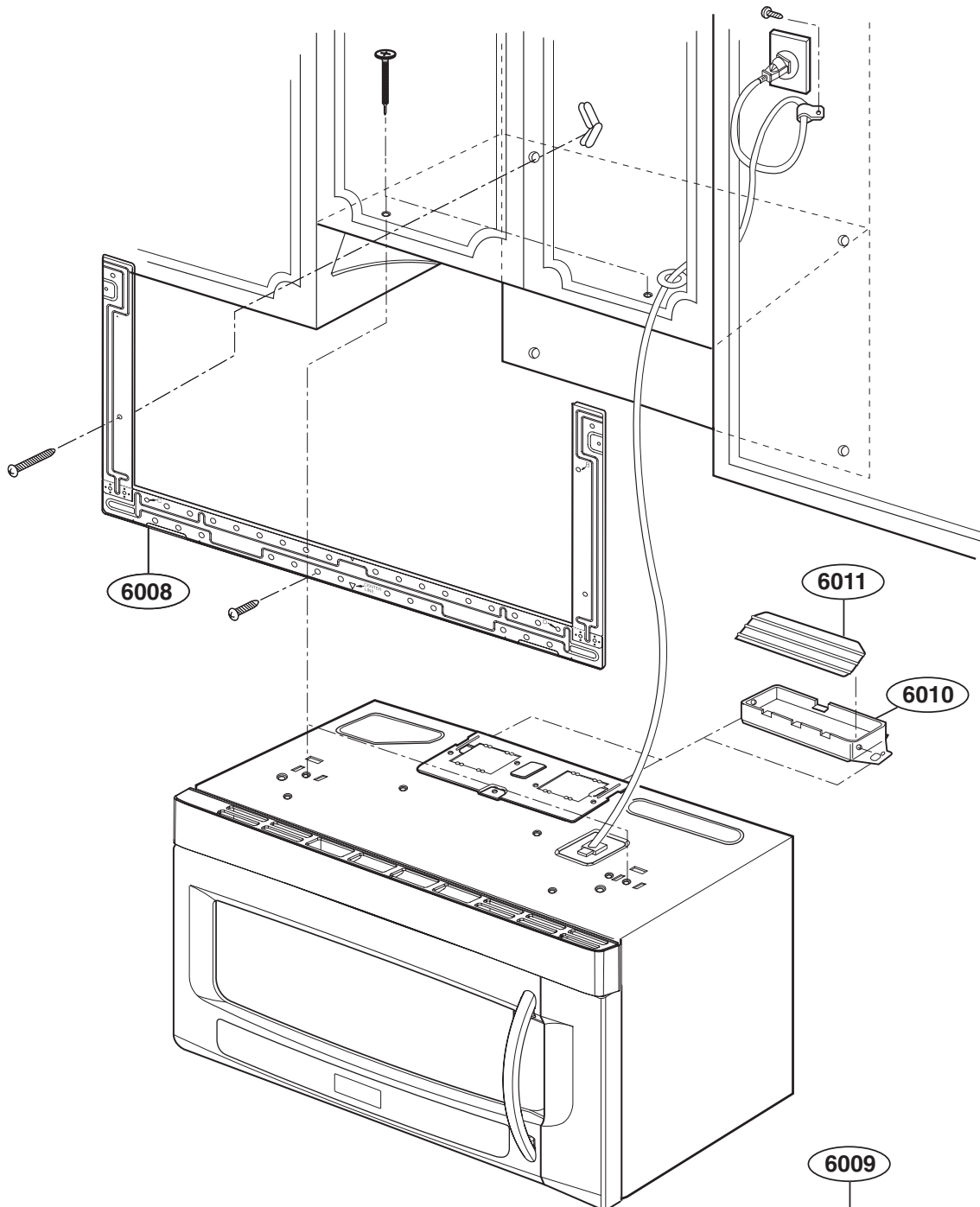
INTERIOR PARTS (I)



INTERIOR PARTS (II)



INSTALLATION PARTS



- OWNERS MANUAL (MFL1)
- INSTALLATION MANUAL (MFL3)
- COOKING GUIDE LABEL (MEZ1)
- UPPER TEMPLATE (MBM4)
- WALL TEMPLATE (MBM5)