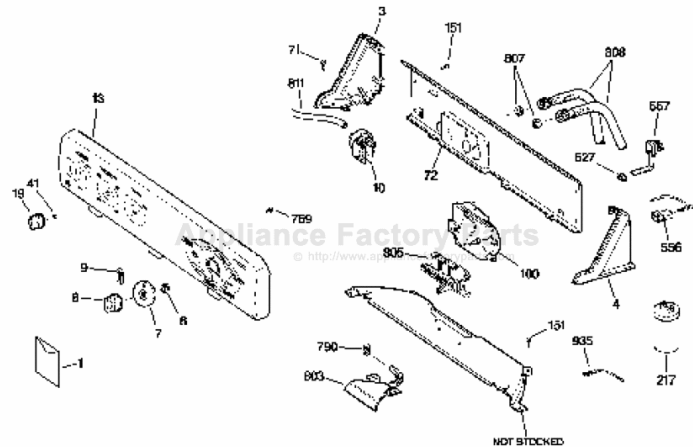


This Owner's Manual is provided and hosted by [Appliance Factory Parts](#).



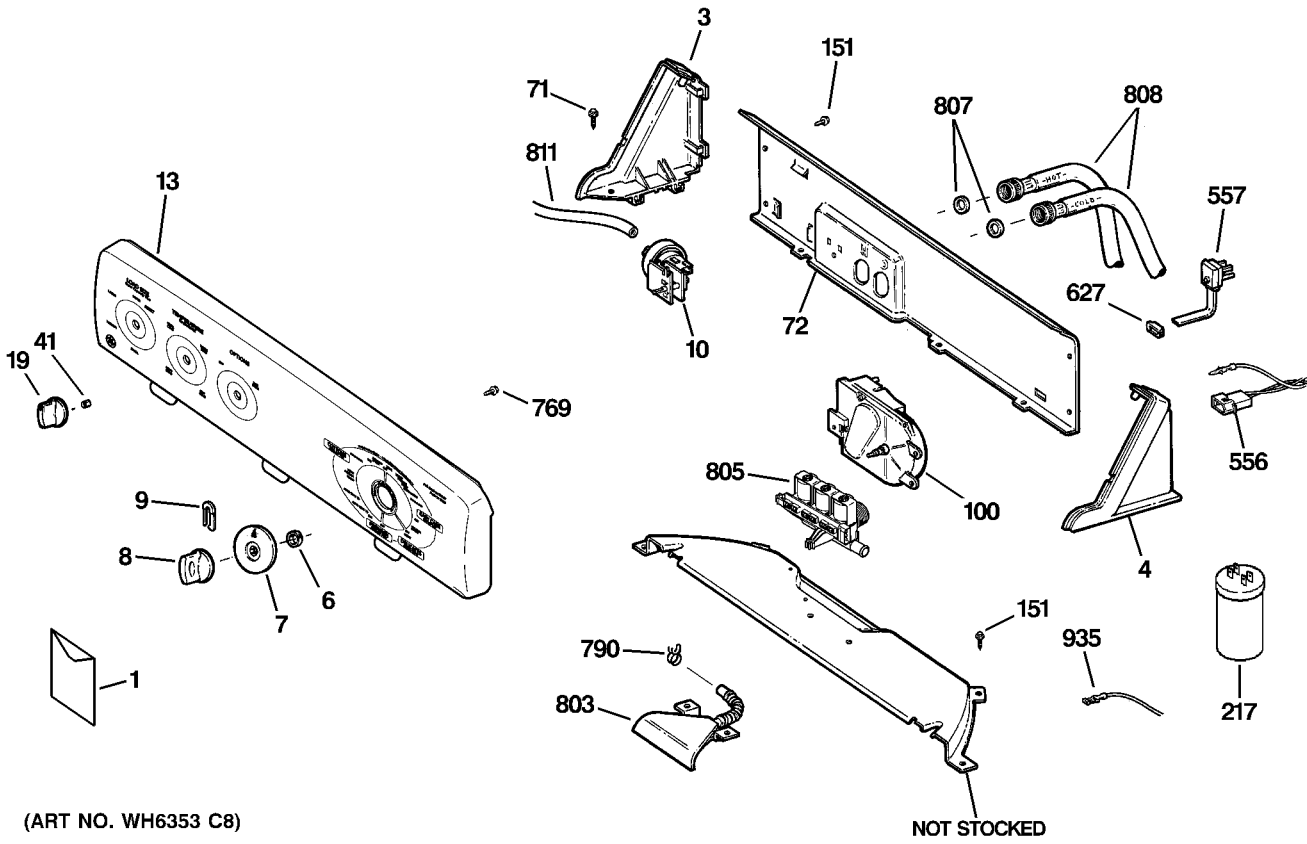
# GE WHDSR109J9WW Owner's Manual

[Shop genuine replacement parts for GE  
WHDSR109J9WW](#)



[Find Your GE Washer Parts - Select From 4591 Models](#)

----- Manual continues below -----



(ART NO. WH6353 C8)