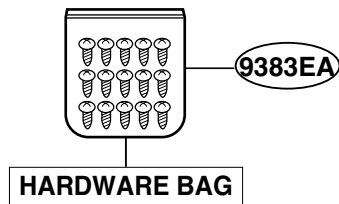
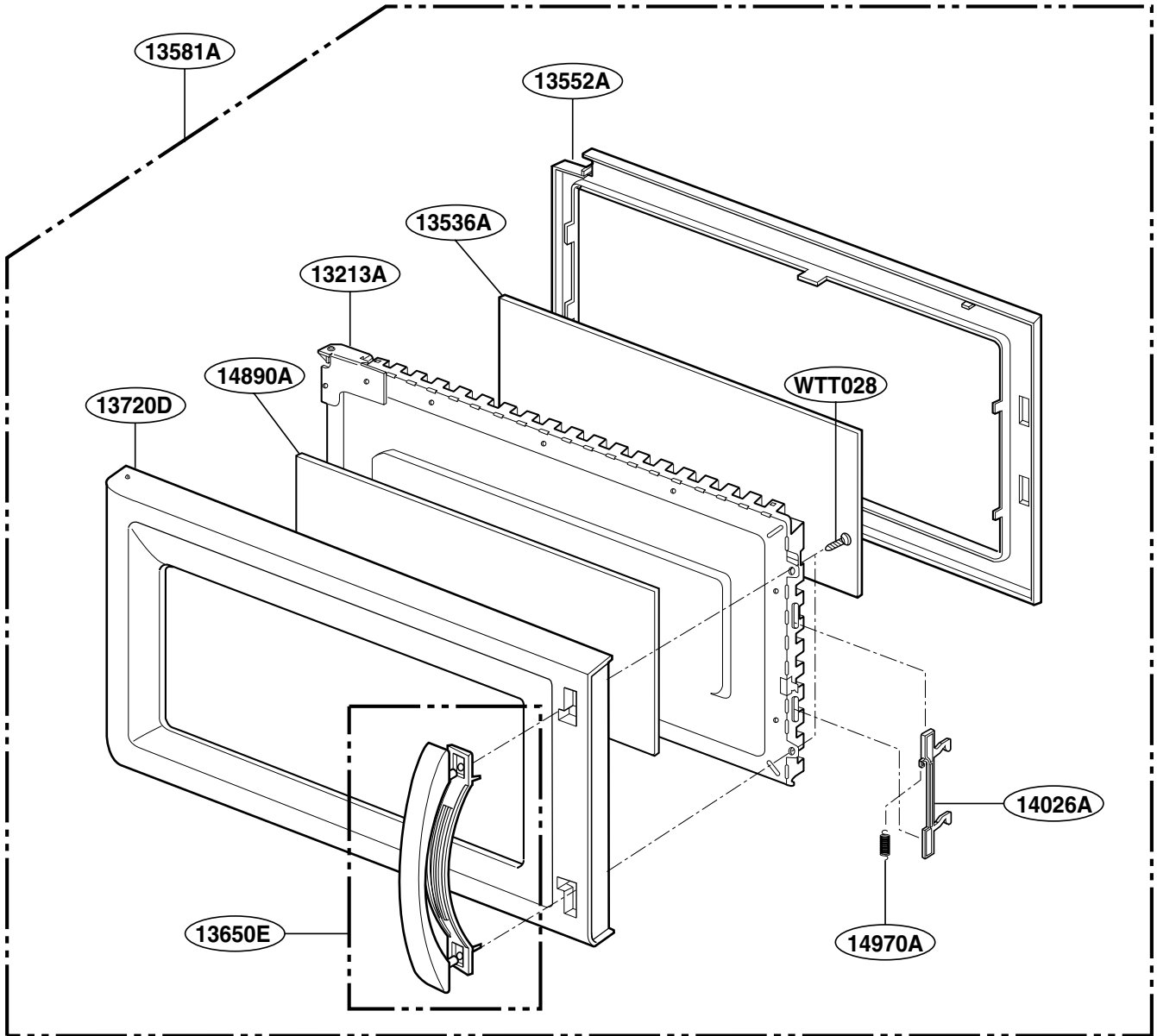


# EXPLODED VIEW

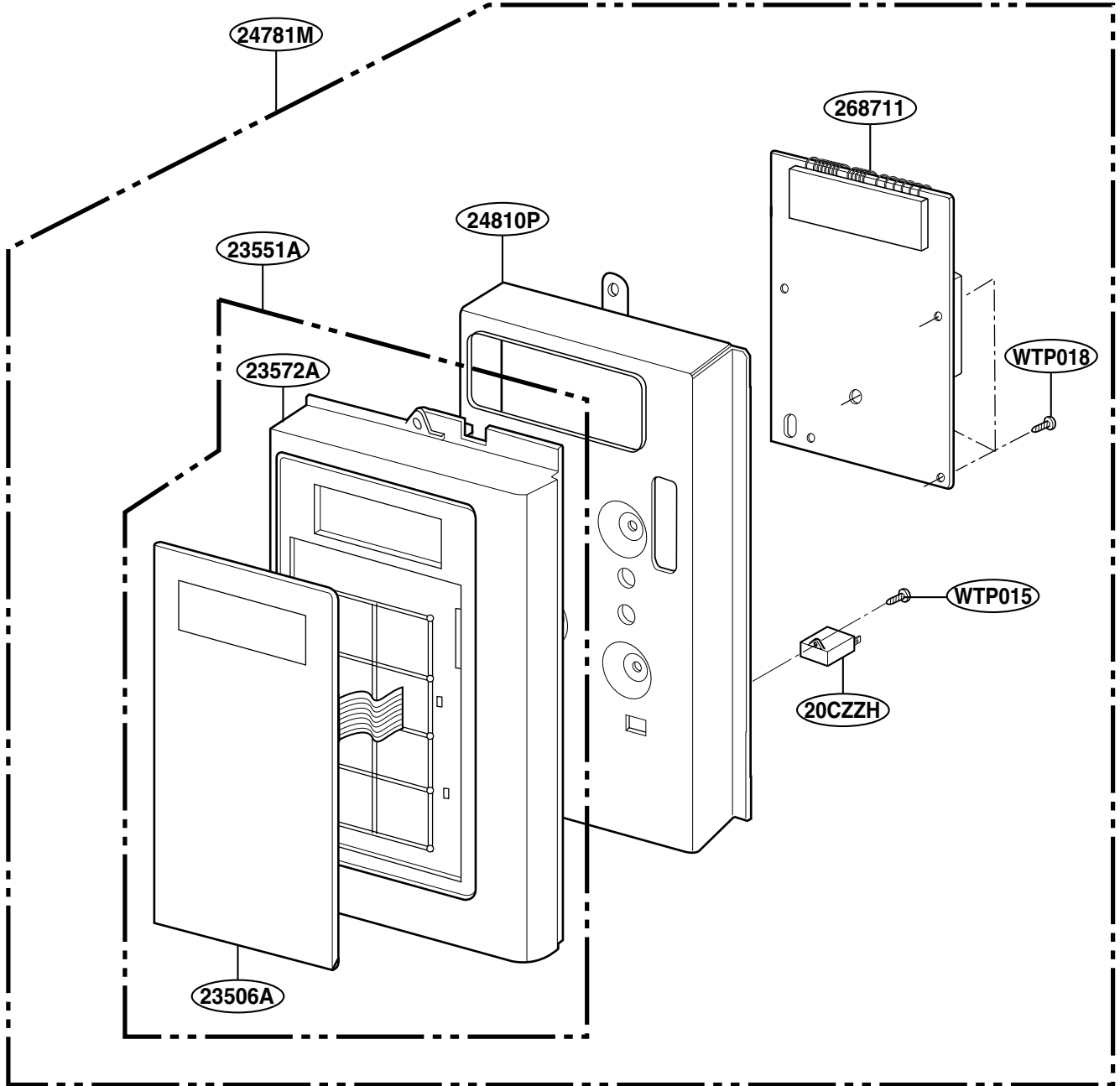
JVM1631

## DOOR PARTS

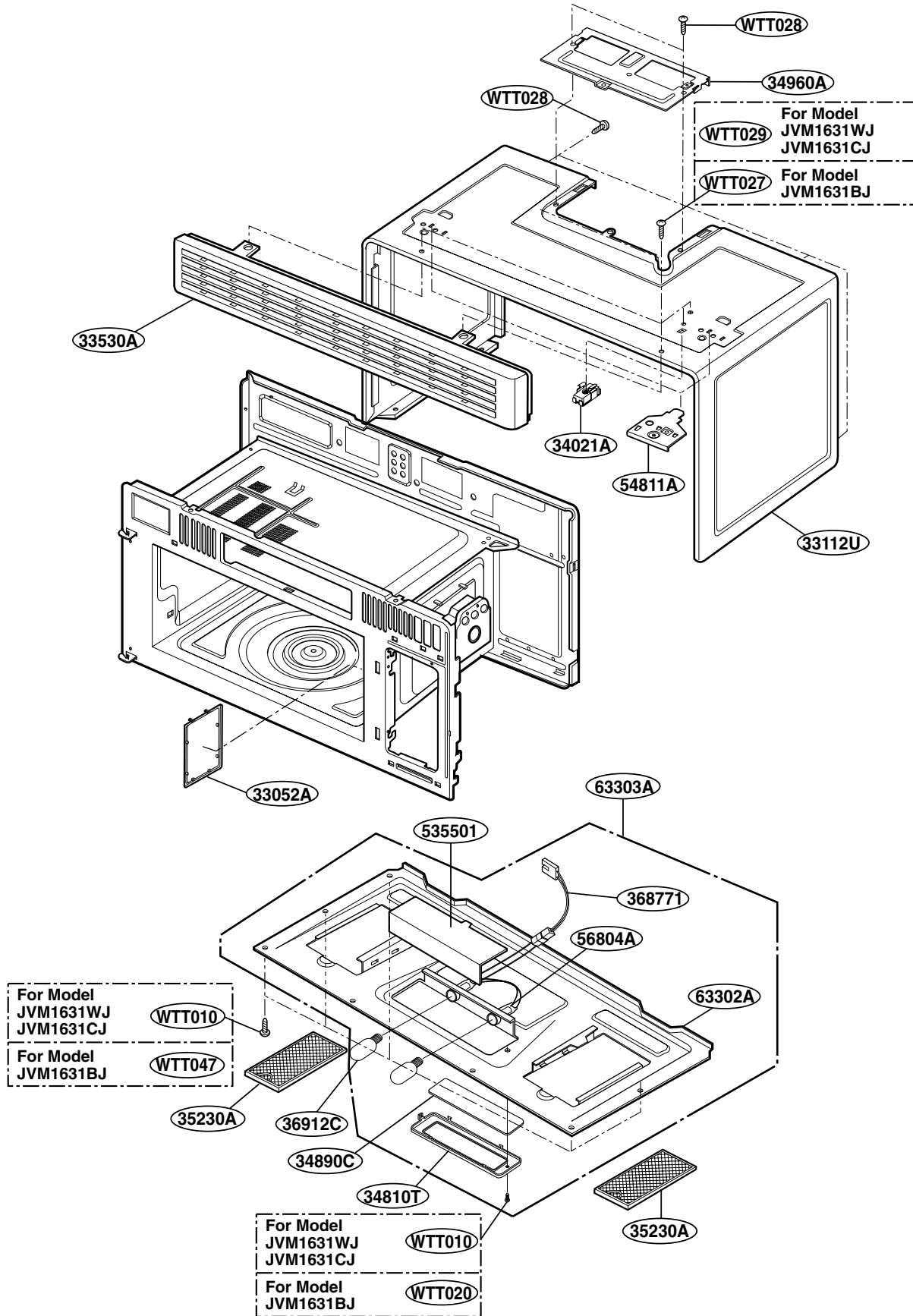


P/No: 3828W5S5154

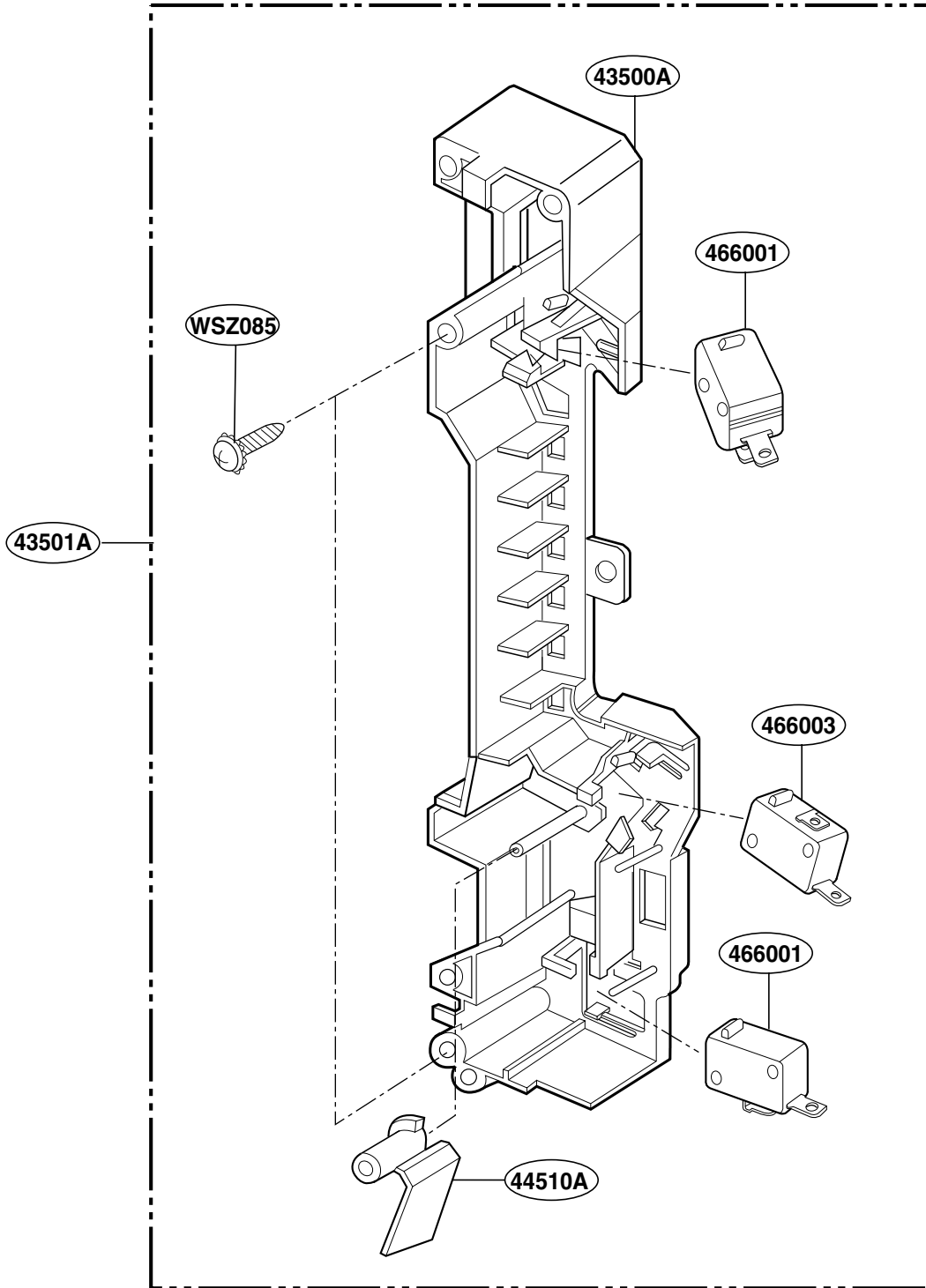
# CONTROLLER PARTS



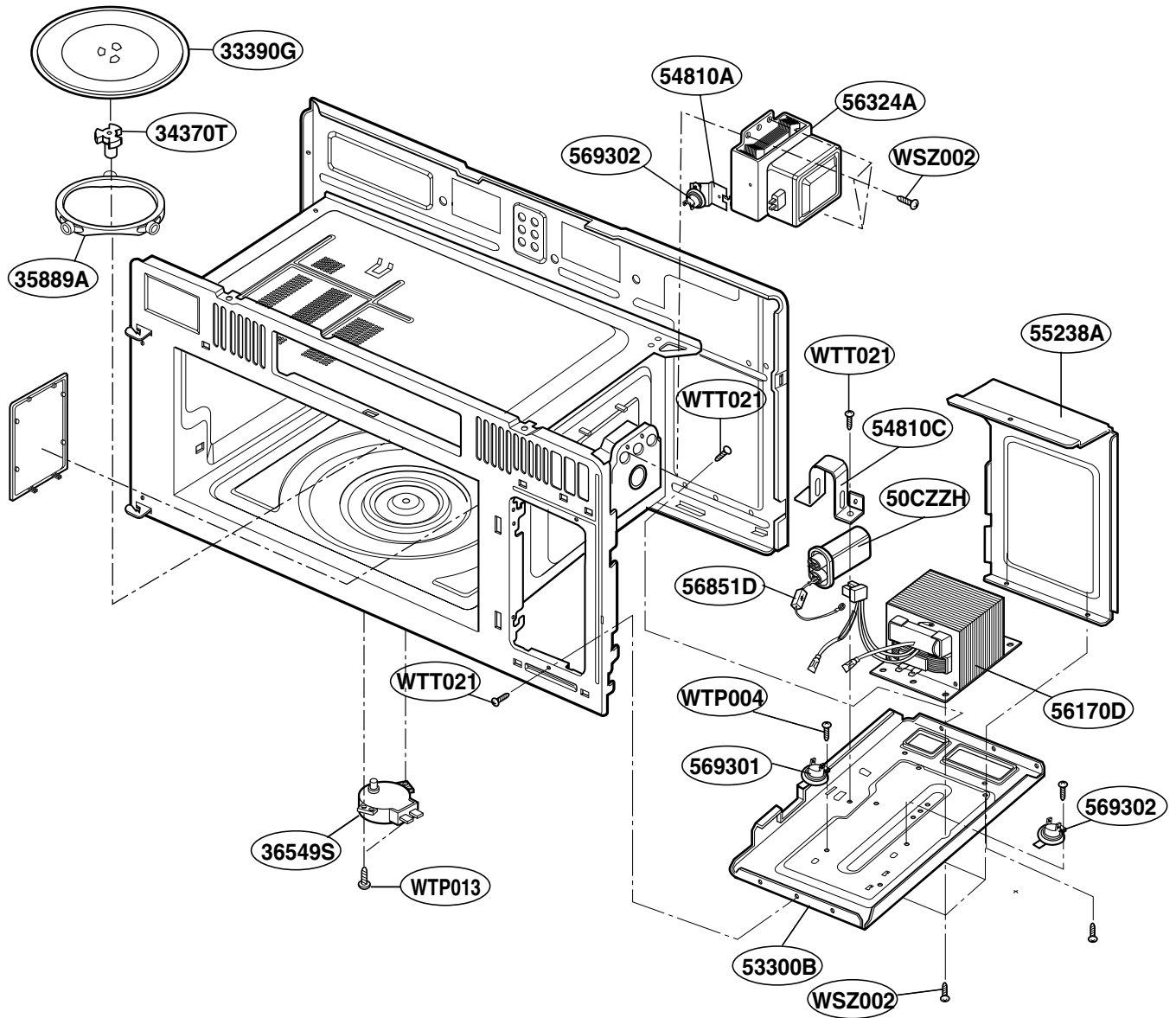
# OVEN CAVITY PARTS



# LATCH BOARD PARTS



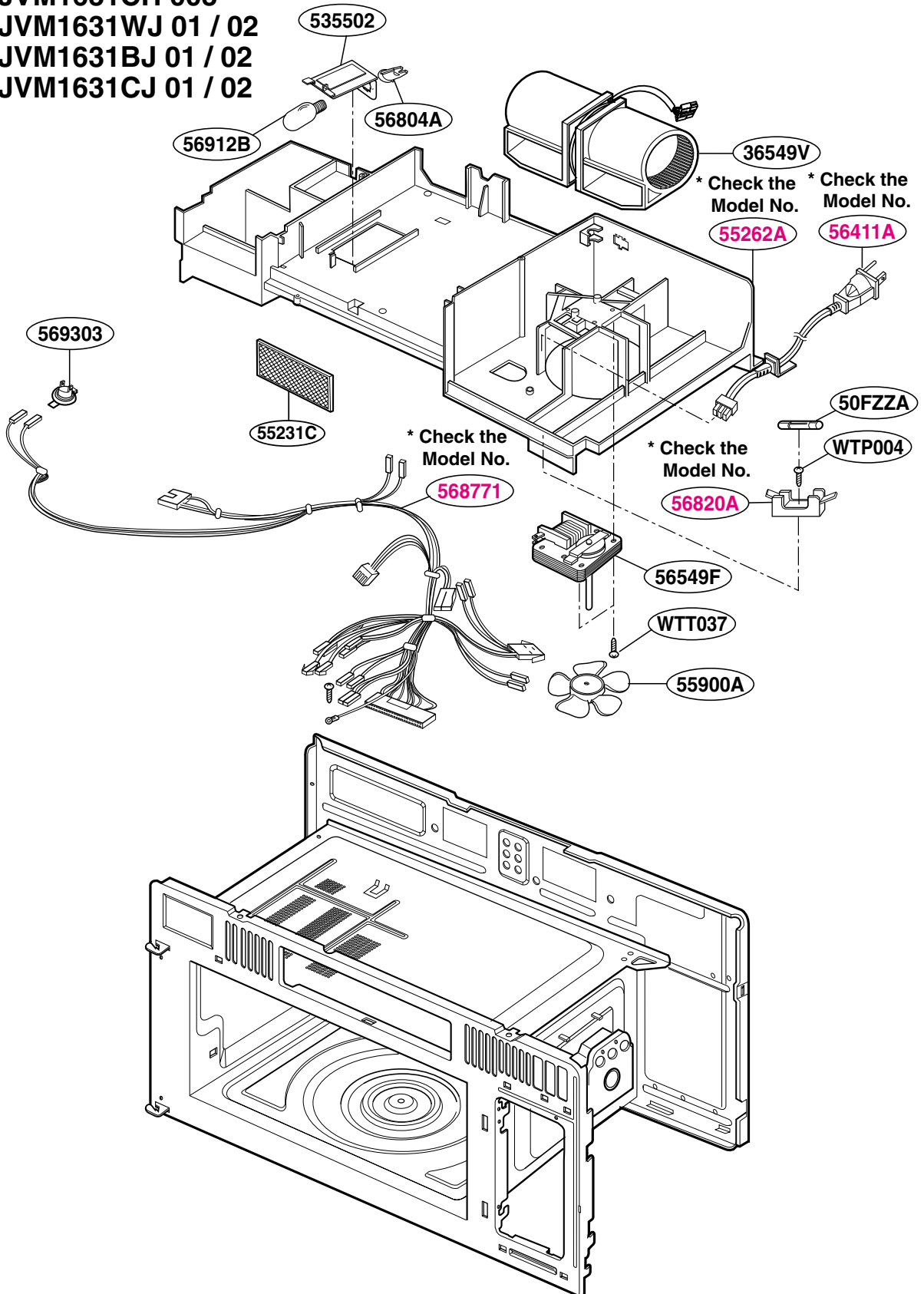
# INTERIOR PARTS (I)



# INTERIOR PARTS (II - I)

Model: JVM1631WH 003  
JVM1631BH 003  
JVM1631CH 003  
JVM1631WJ 01 / 02  
JVM1631BJ 01 / 02  
JVM1631CJ 01 / 02

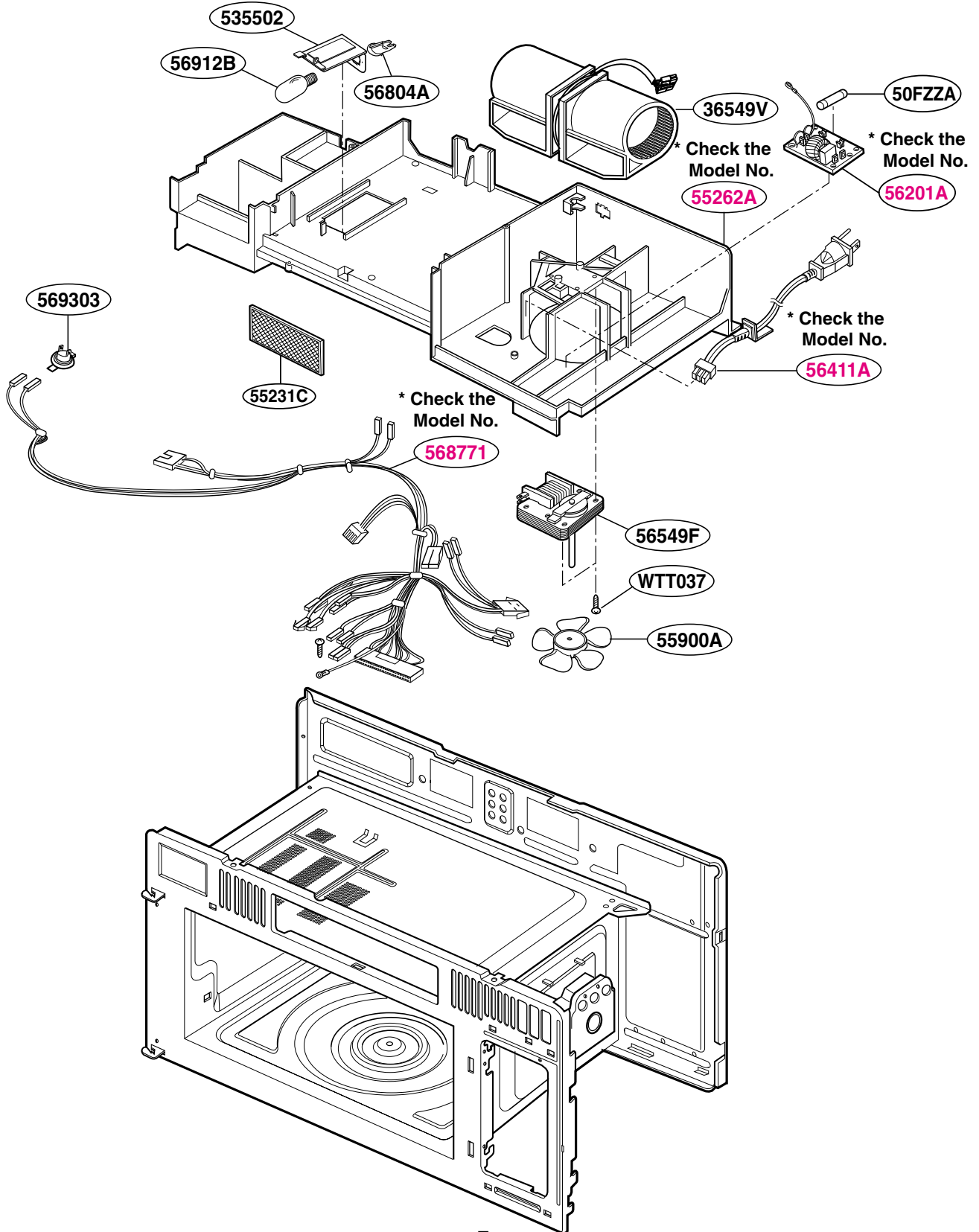
Check the rating label of **Model** and order SVC parts according to the **Model No.**



# INTERIOR PARTS (II - II)

Model: JVM1631WJ 03  
JVM1631BJ 03  
JVM1631CJ 03

Check the rating label of **Model** and order SVC parts according to the **Model No.**



# INSTALLATION PARTS

