

This Owner's Manual is provided and hosted by [Appliance Factory Parts](#).



GE JVM1640BJ03 Owner's Manual

[Shop genuine replacement parts for GE JVM1640BJ03](#)



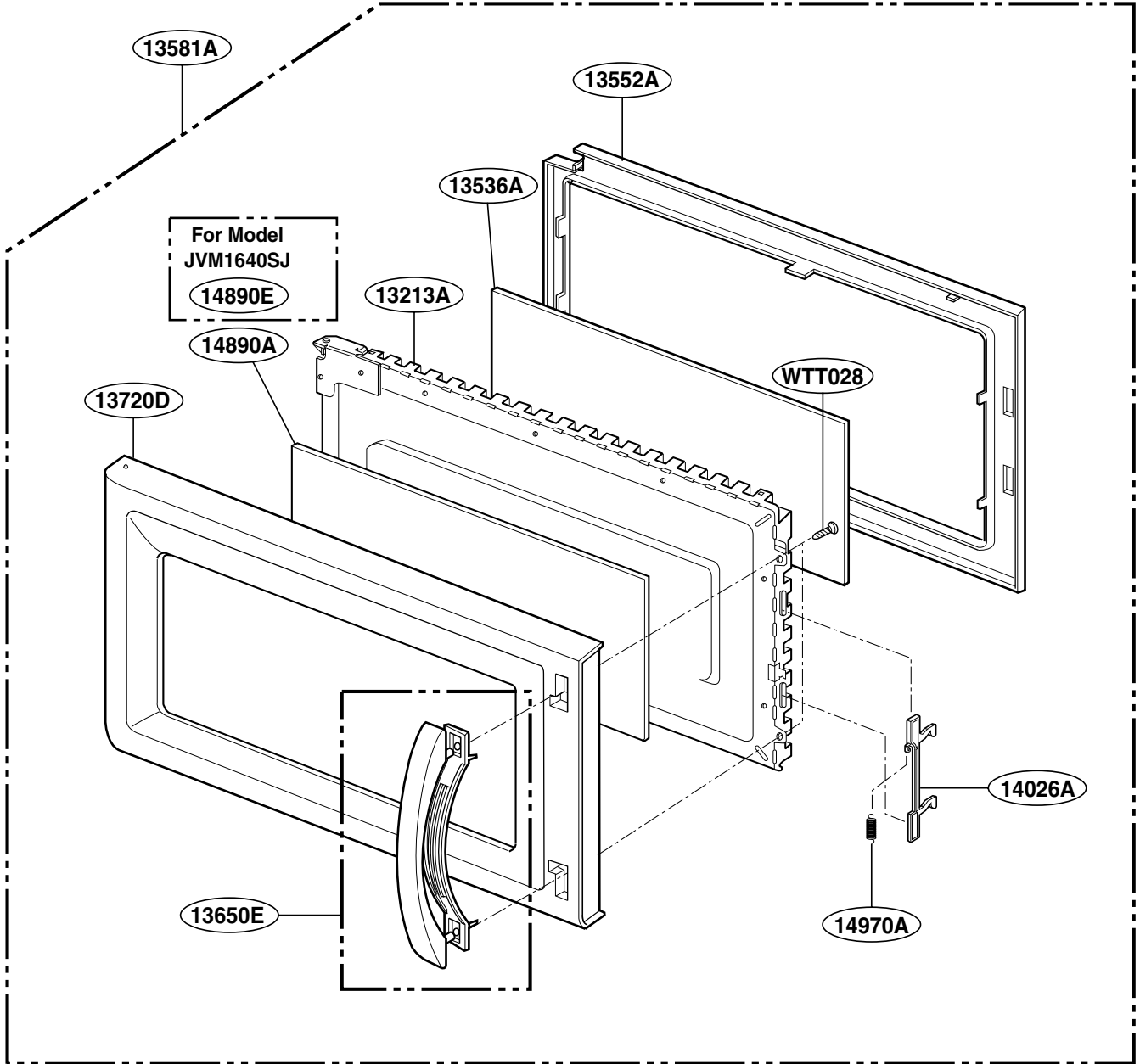
[Find Your GE Microwave Parts - Select From 3055 Models](#)

----- Manual continues below -----

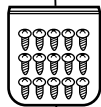
EXPLODED VIEW

JVM1640

DOOR PARTS



9383EA

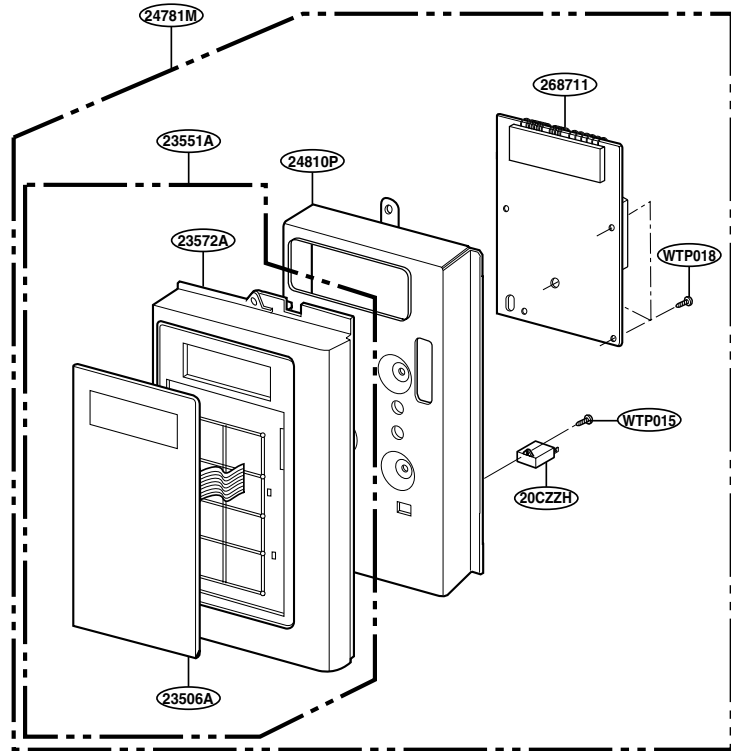


HARDWARE BAG

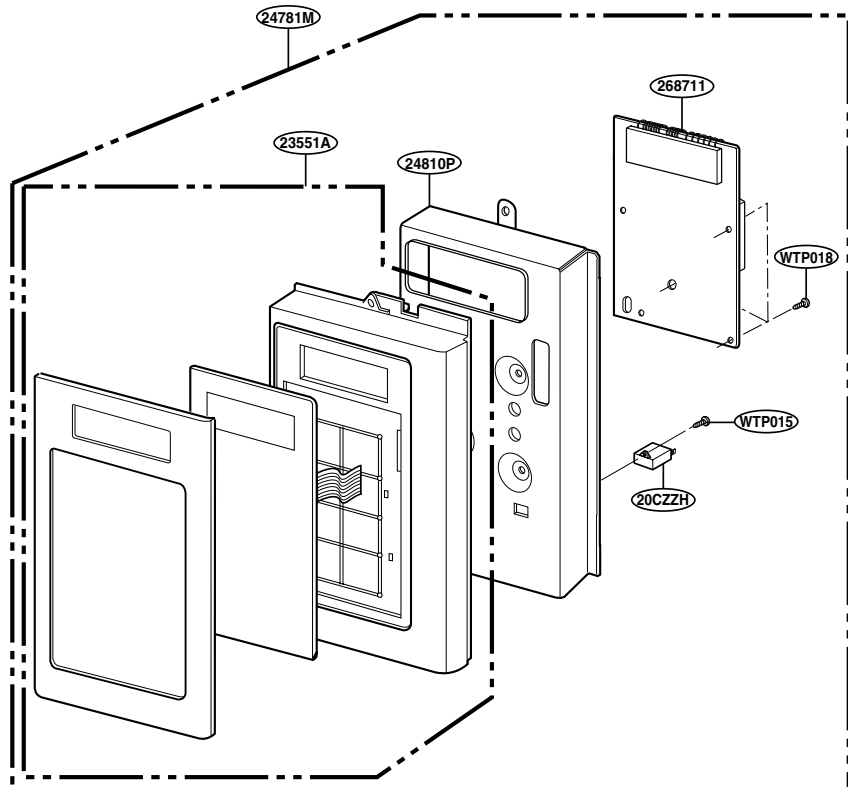
P/No: 3828W5S5153

CONTROLLER PARTS

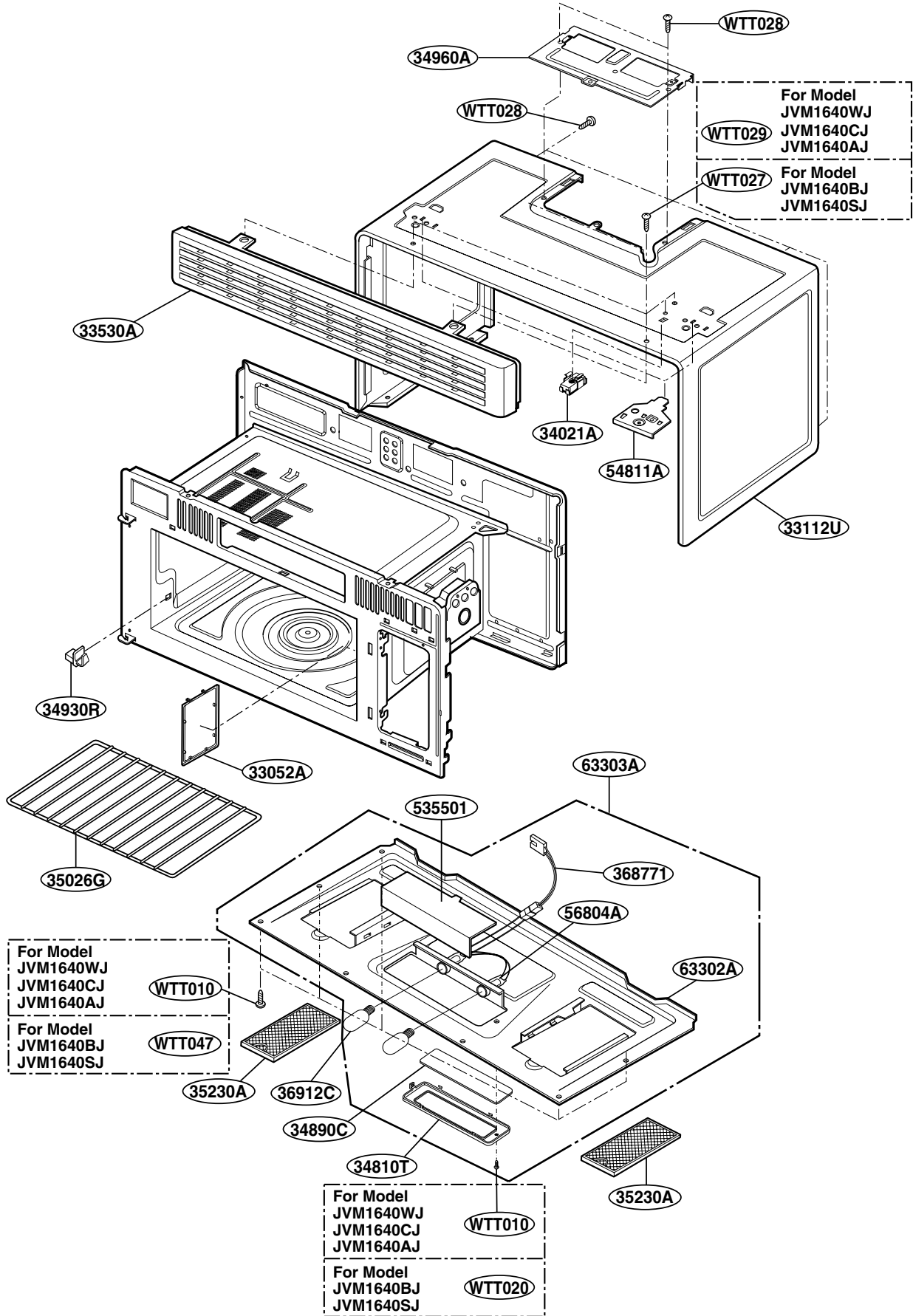
For Model: JVM1640BJ
JVM1640WJ
JVM1640CJ
JVM1640AJ



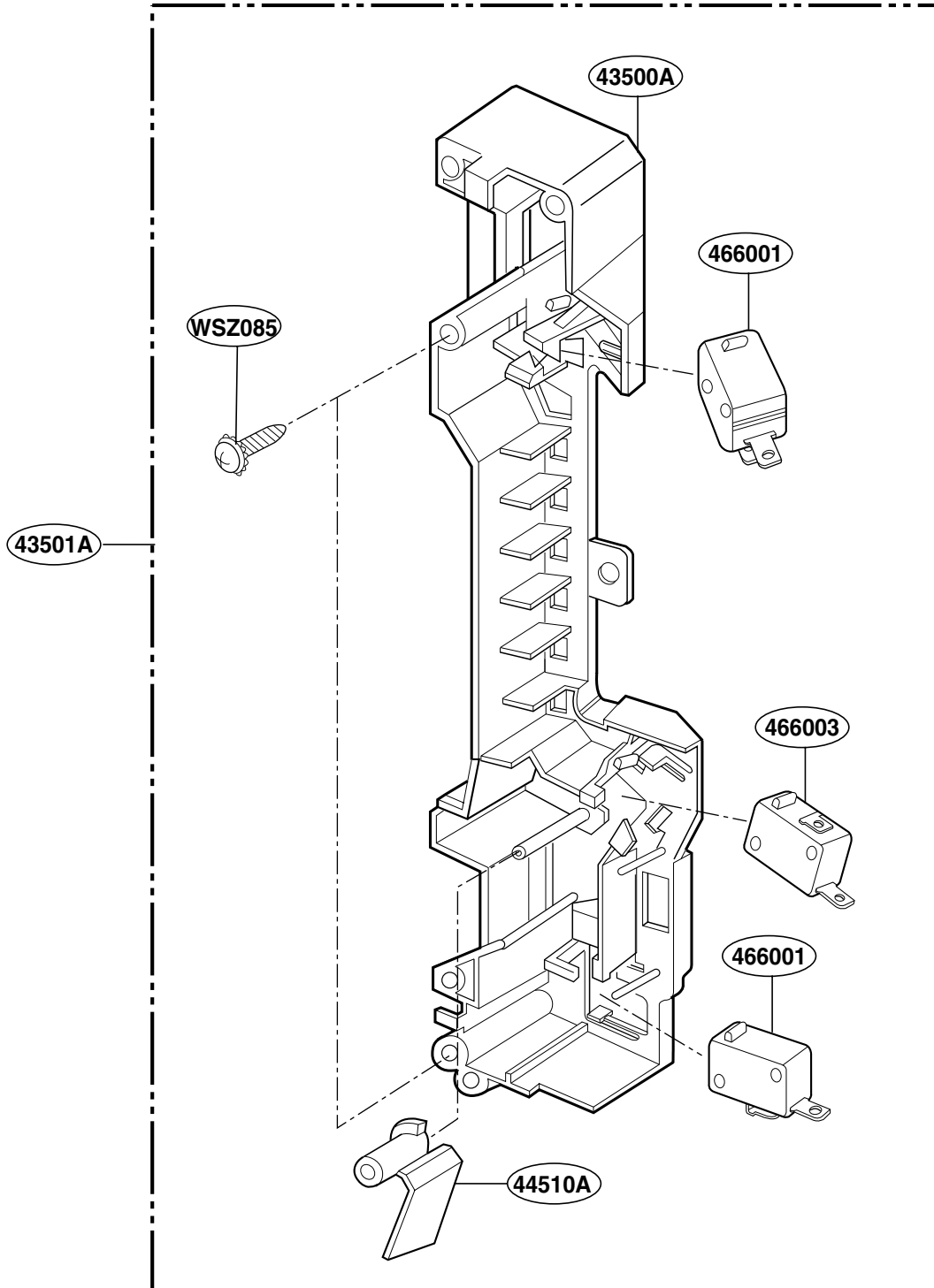
For Model: JVM1640SJ



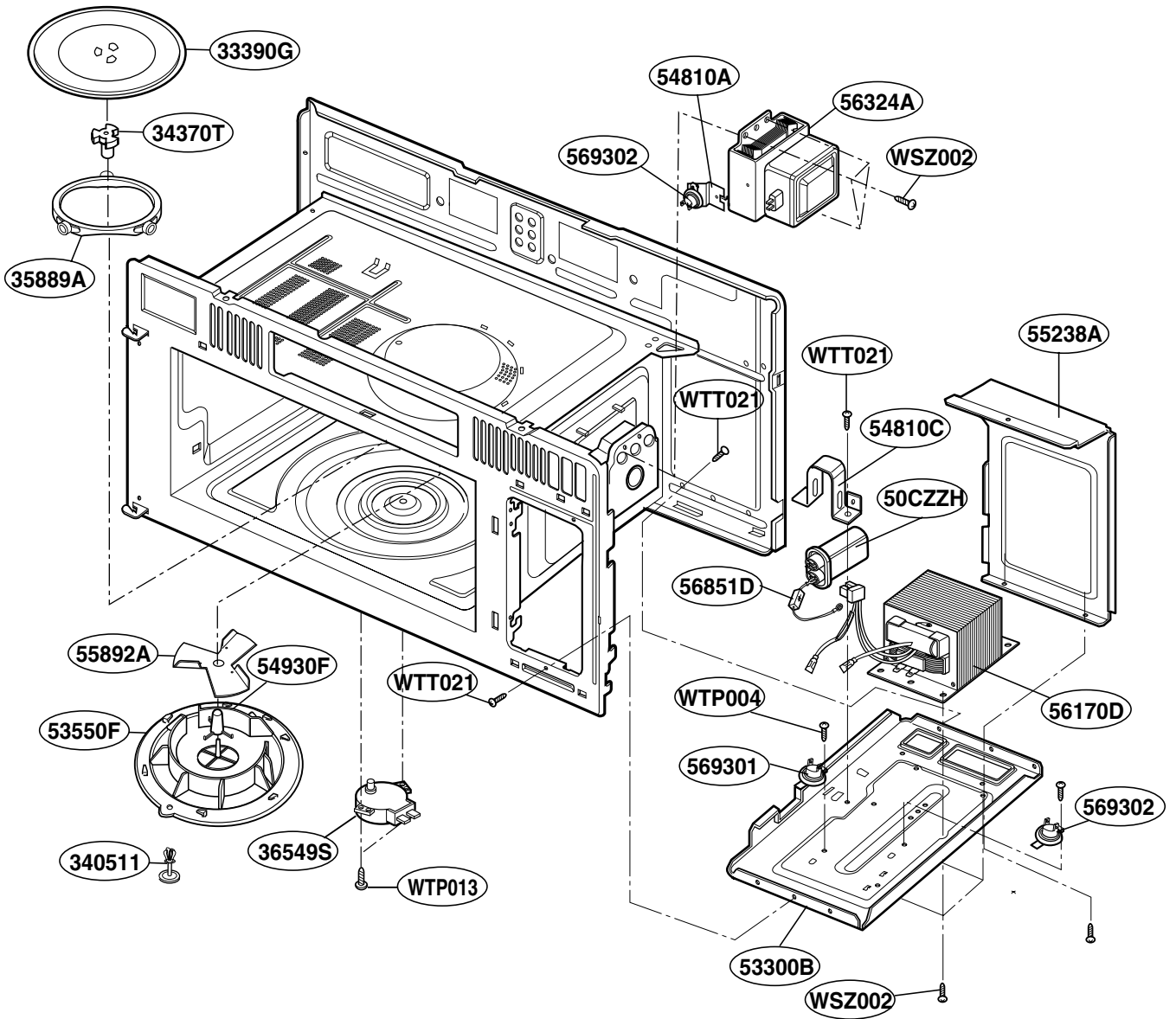
OVEN CAVITY PARTS



LATCH BOARD PARTS



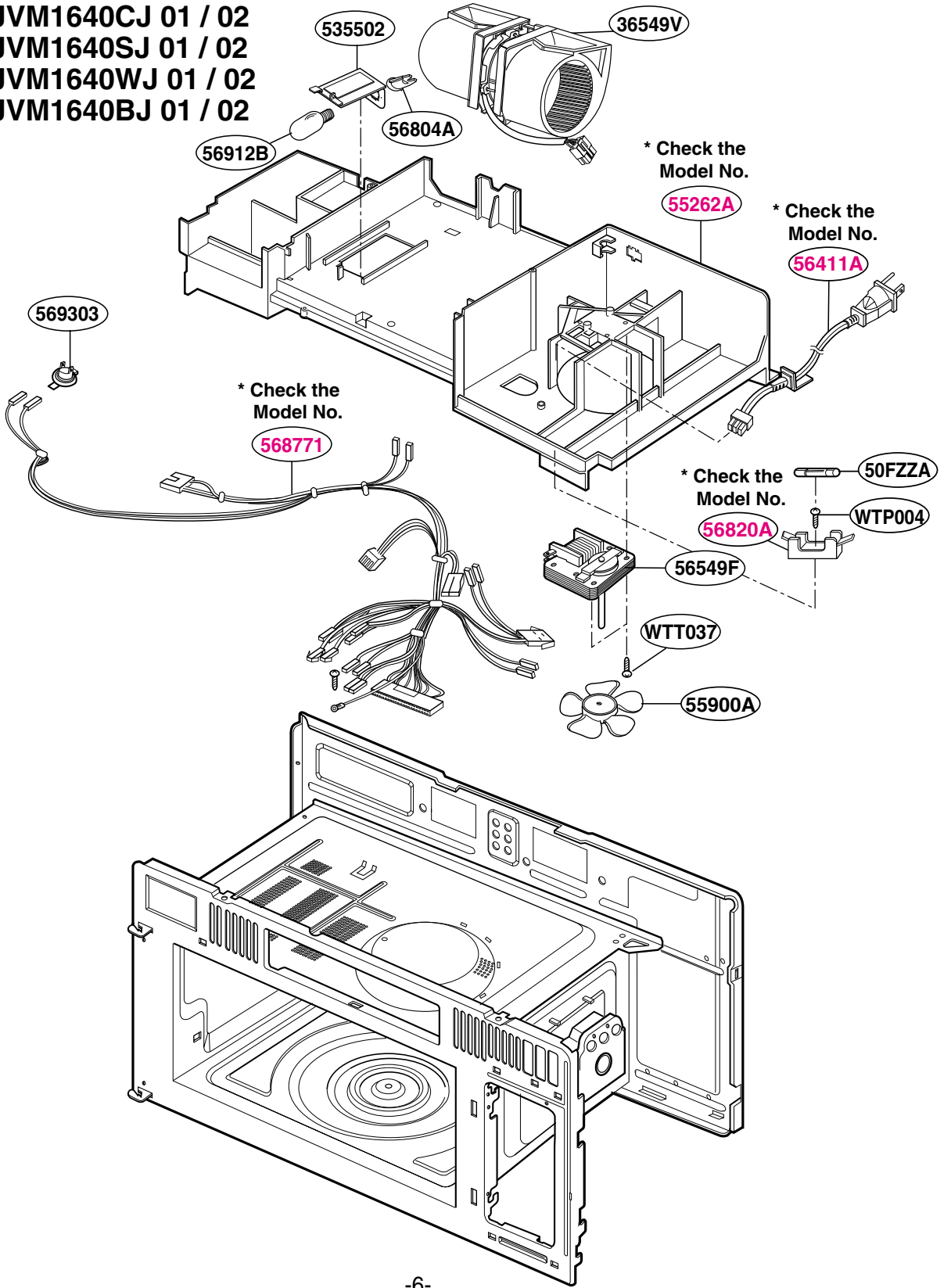
INTERIOR PARTS (I)



INTERIOR PARTS (II - I)

Model: JVM1640WH 001
JVM1640BH 001
JVM1640AH 001
JVM1640AJ 01
JVM1640CJ 01 / 02
JVM1640SJ 01 / 02
JVM1640WJ 01 / 02
JVM1640BJ 01 / 02

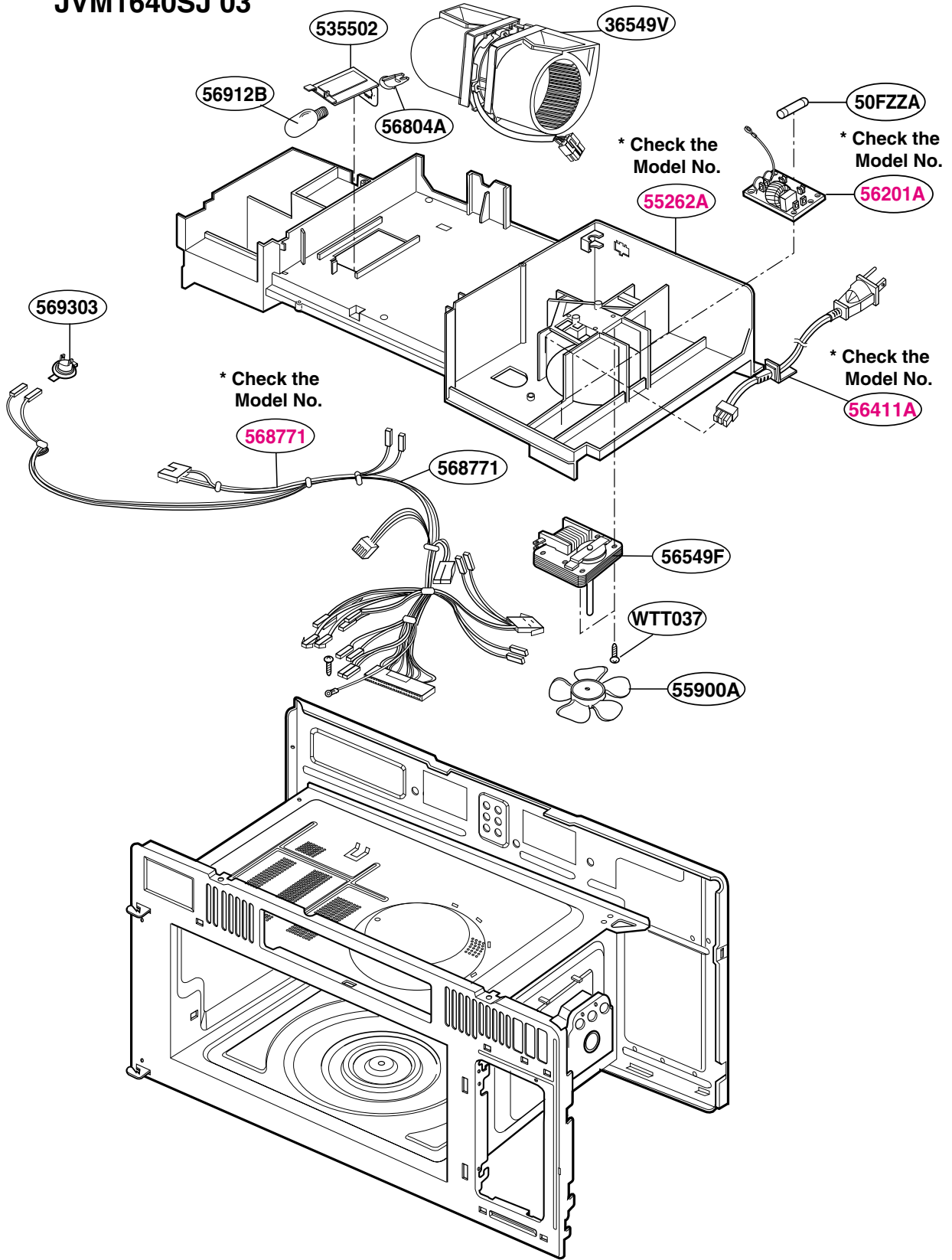
Check the rating label of **Model** and order SVC parts according to the **Model No.**



INTERIOR PARTS (II - II)

Model: JVM1640WJ 03
JVM1640BJ 03
JVM1640CJ 03
JVM1640SJ 03

Check the rating label of **Model** and order SVC parts according to the **Model No.**



INSTALLATION PARTS

