

This Owner's Manual is provided and hosted by [Appliance Factory Parts](#).



# GE JVM1650CH01 Owner's Manual

[Shop genuine replacement parts for GE JVM1650CH01](#)



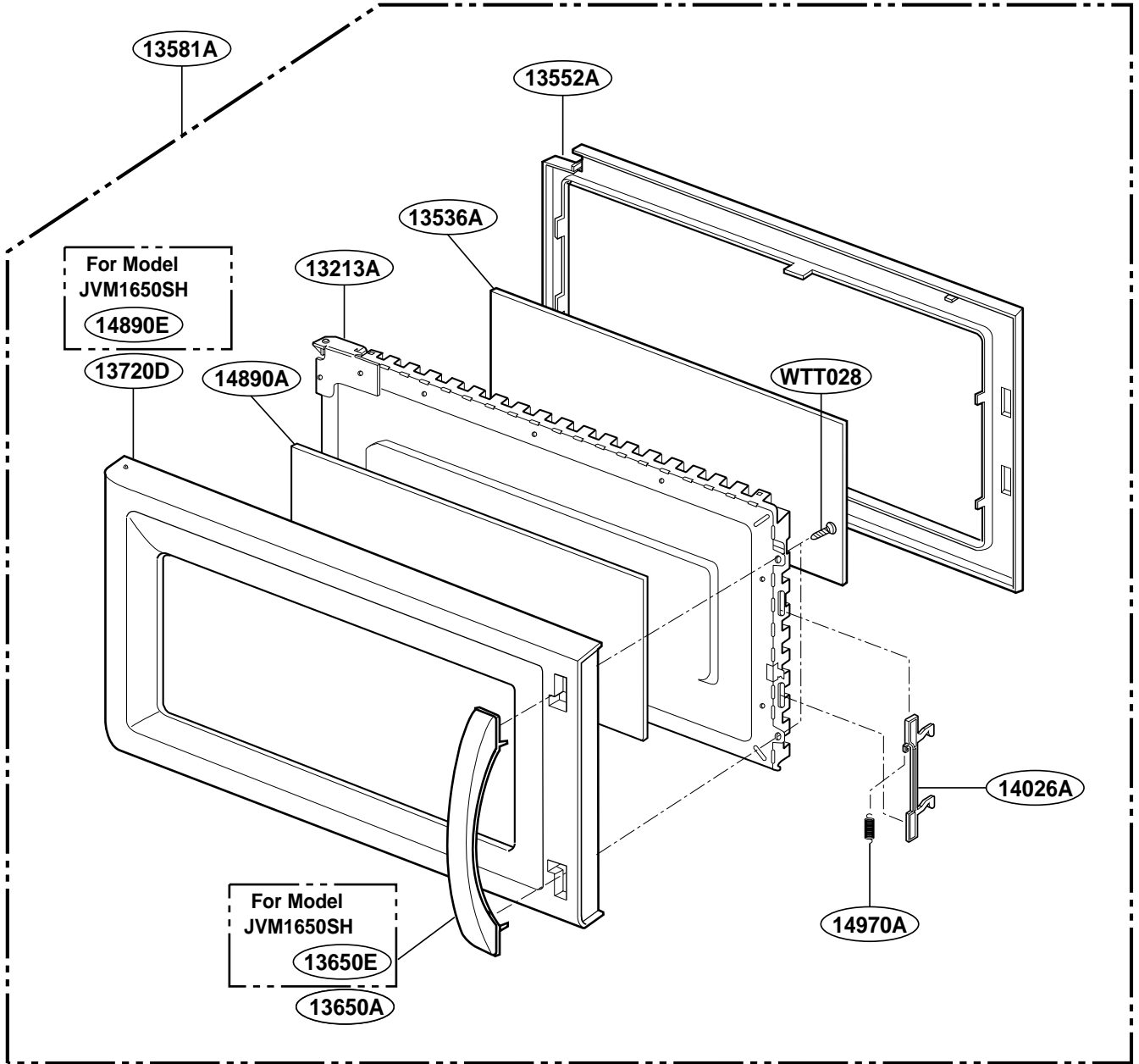
[Find Your GE Microwave Parts - Select From 3055 Models](#)

----- Manual continues below -----

# EXPLODED VIEW

Model : JVM1650WH 05  
JVM1650BH 05  
JVM1650CH 05  
JVM1650SH 05

## DOOR PARTS

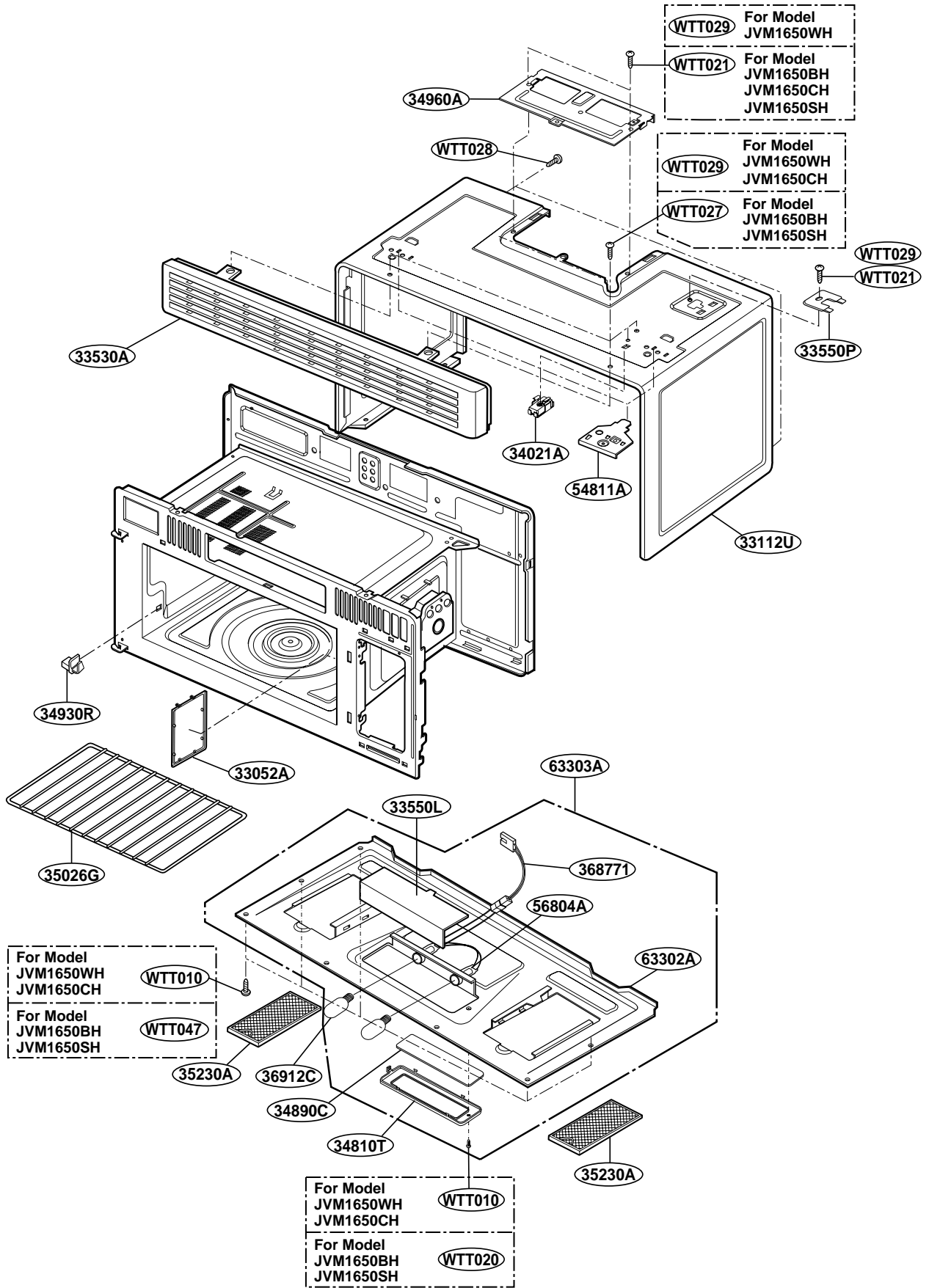


P/No.: 3828W5S5276

# CONTROLLER PARTS



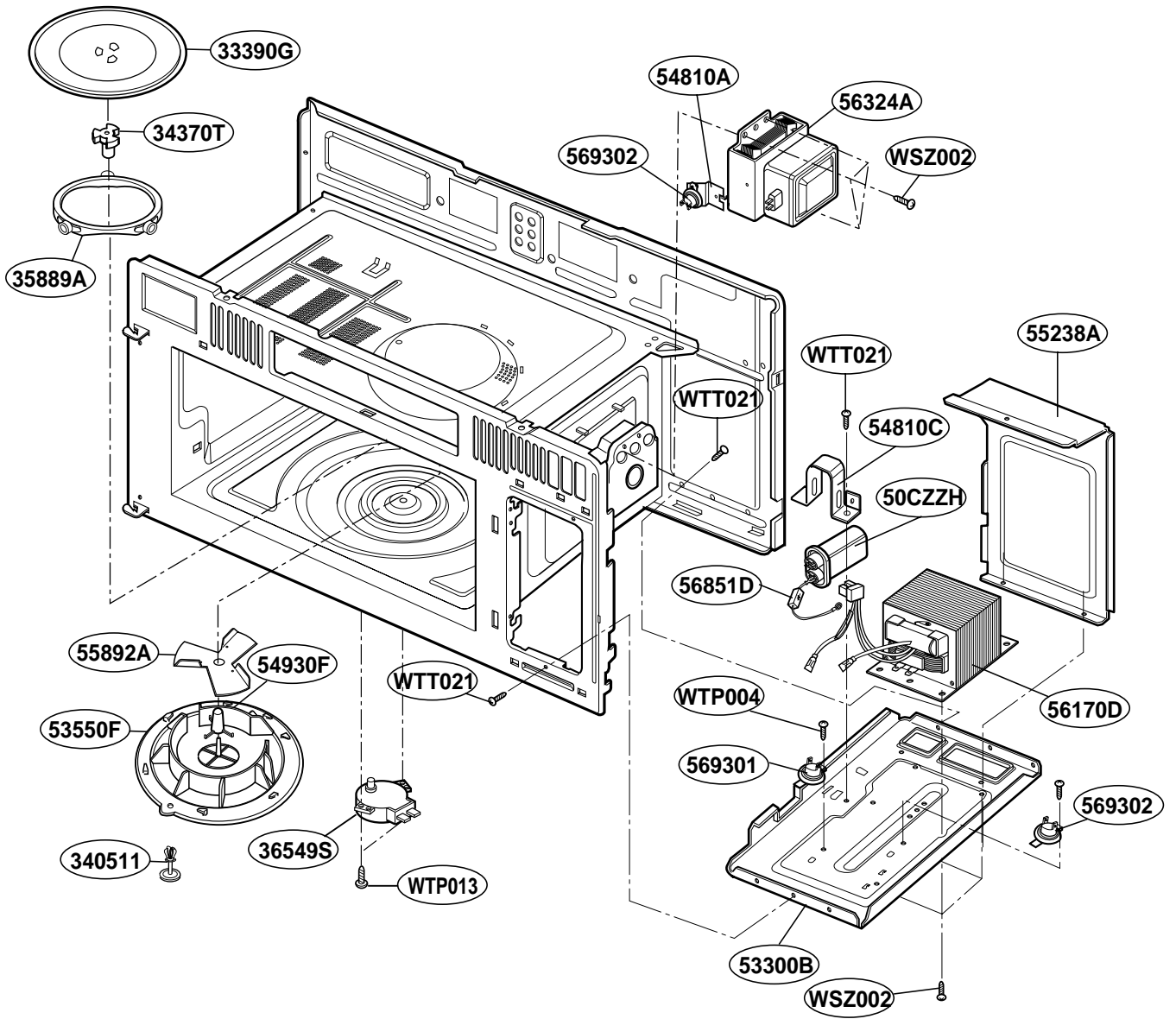
# OVEN CAVITY PARTS



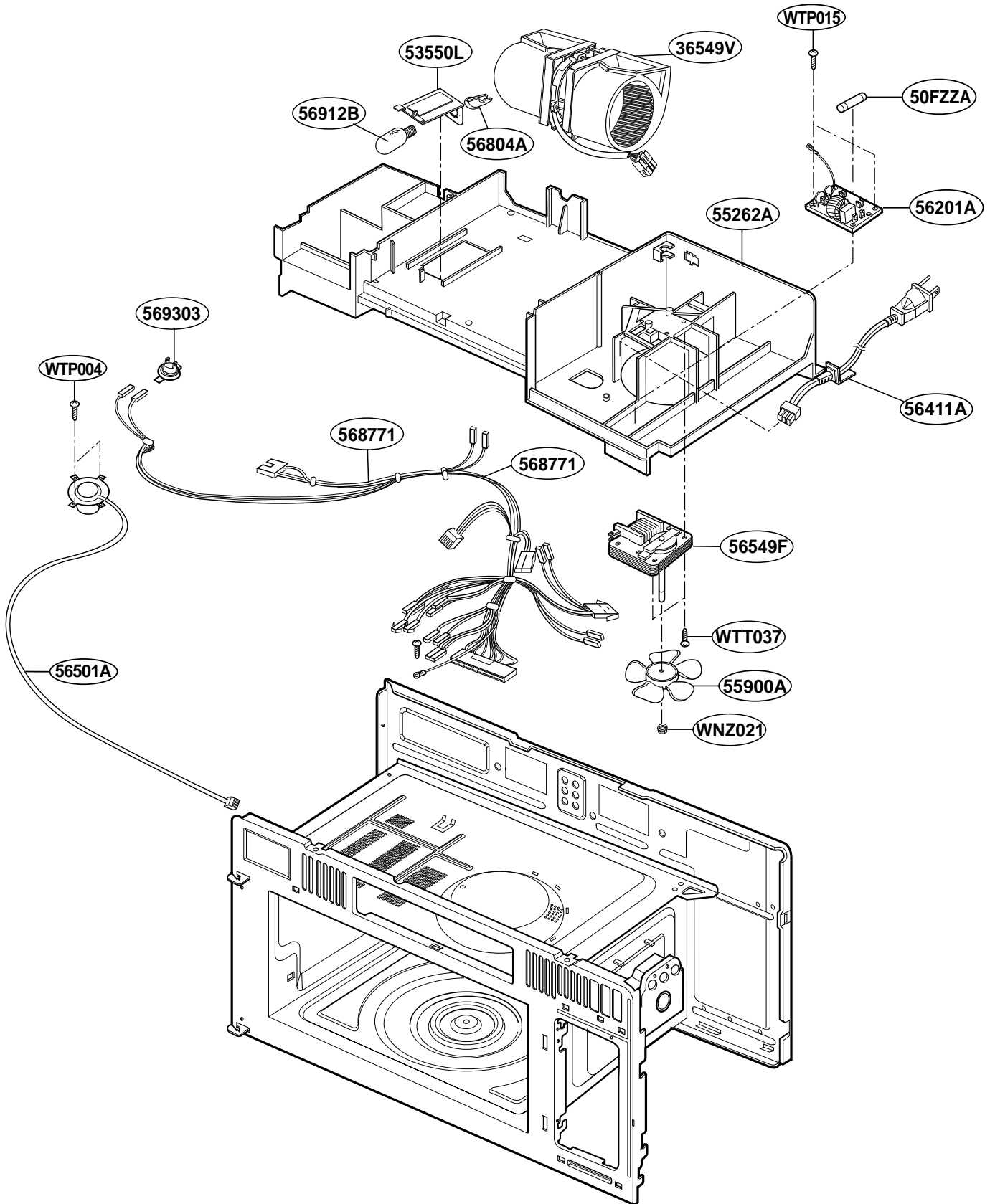
# LATCH BOARD PARTS



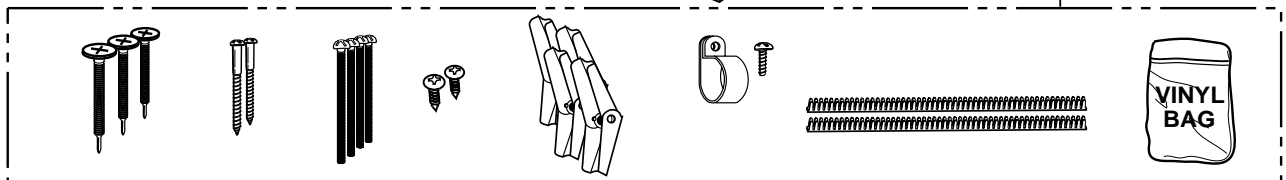
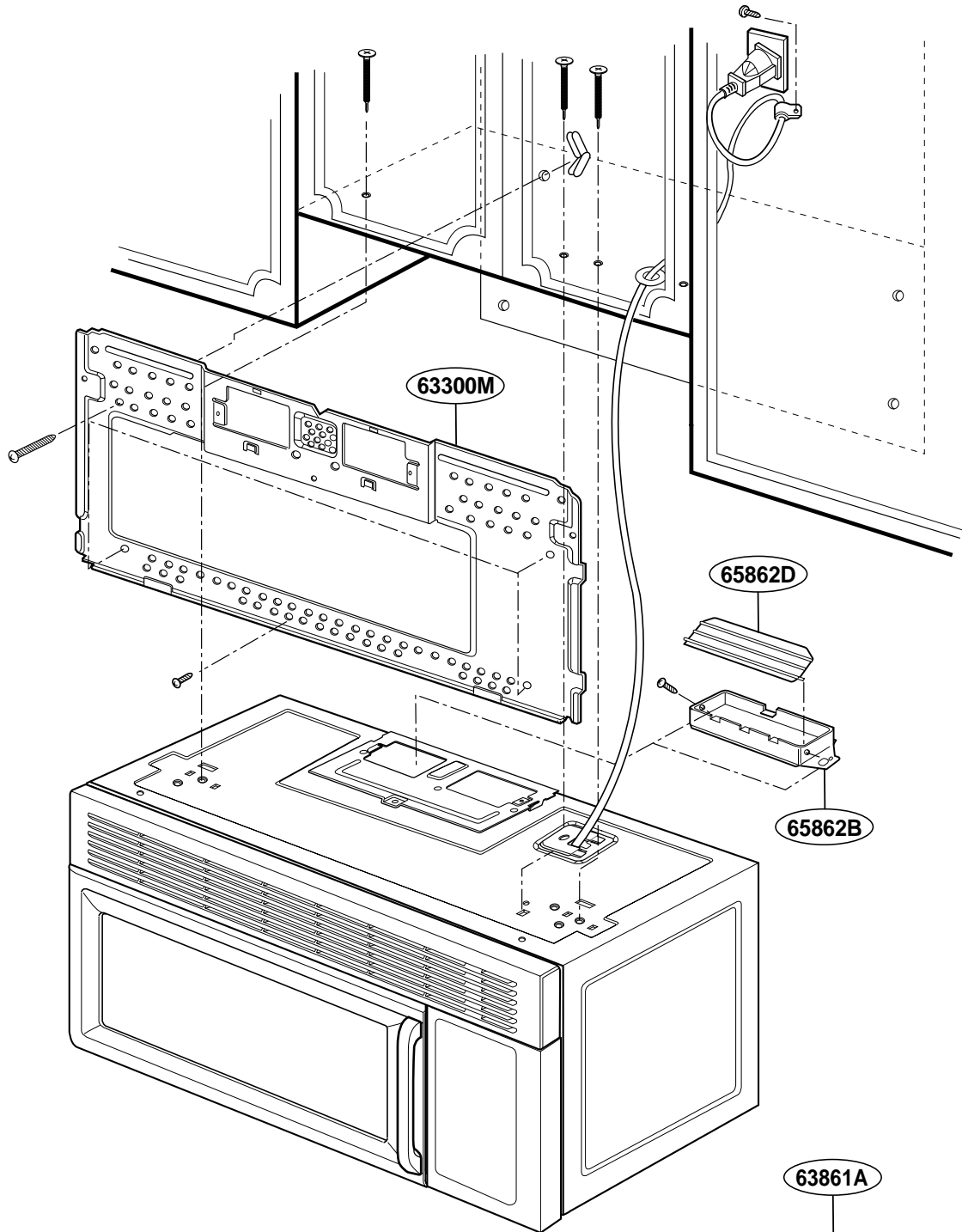
# INTERIOR PARTS (I)



# INTERIOR PARTS (II)



# INSTALLATION PARTS



OWNERS  
MANUAL

\*01

INSTALLATION  
MANUAL

\*04

COOKING  
GUIDE  
LABEL

\*05

TEMPLATE

\*06