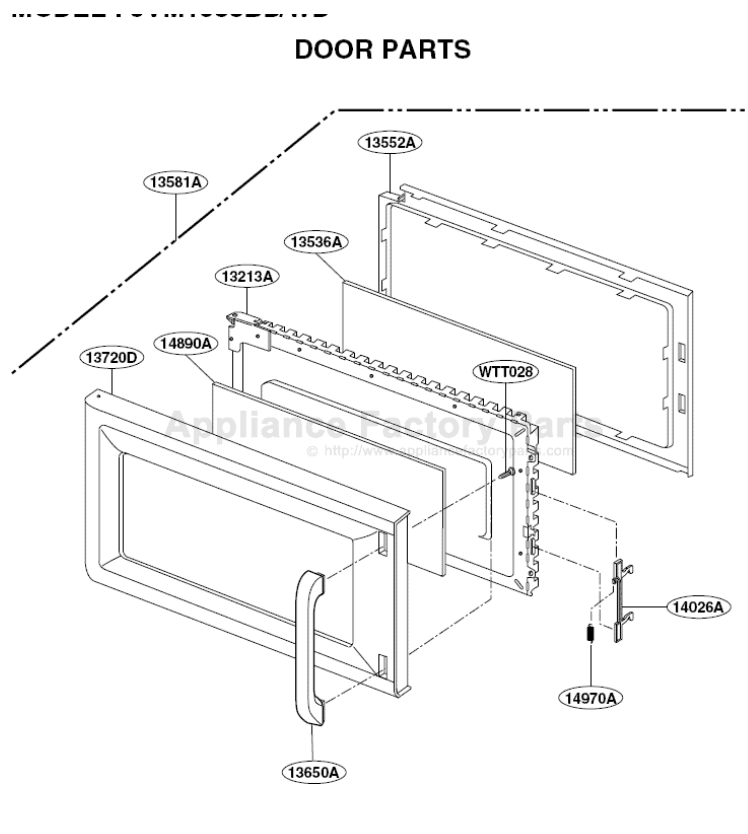


This Owner's Manual is provided and hosted by [Appliance Factory Parts](http://ApplianceFactoryParts.com).



GE JVM1533BD002 Owner's Manual

[Shop genuine replacement parts for GE
JVM1533BD002](#)



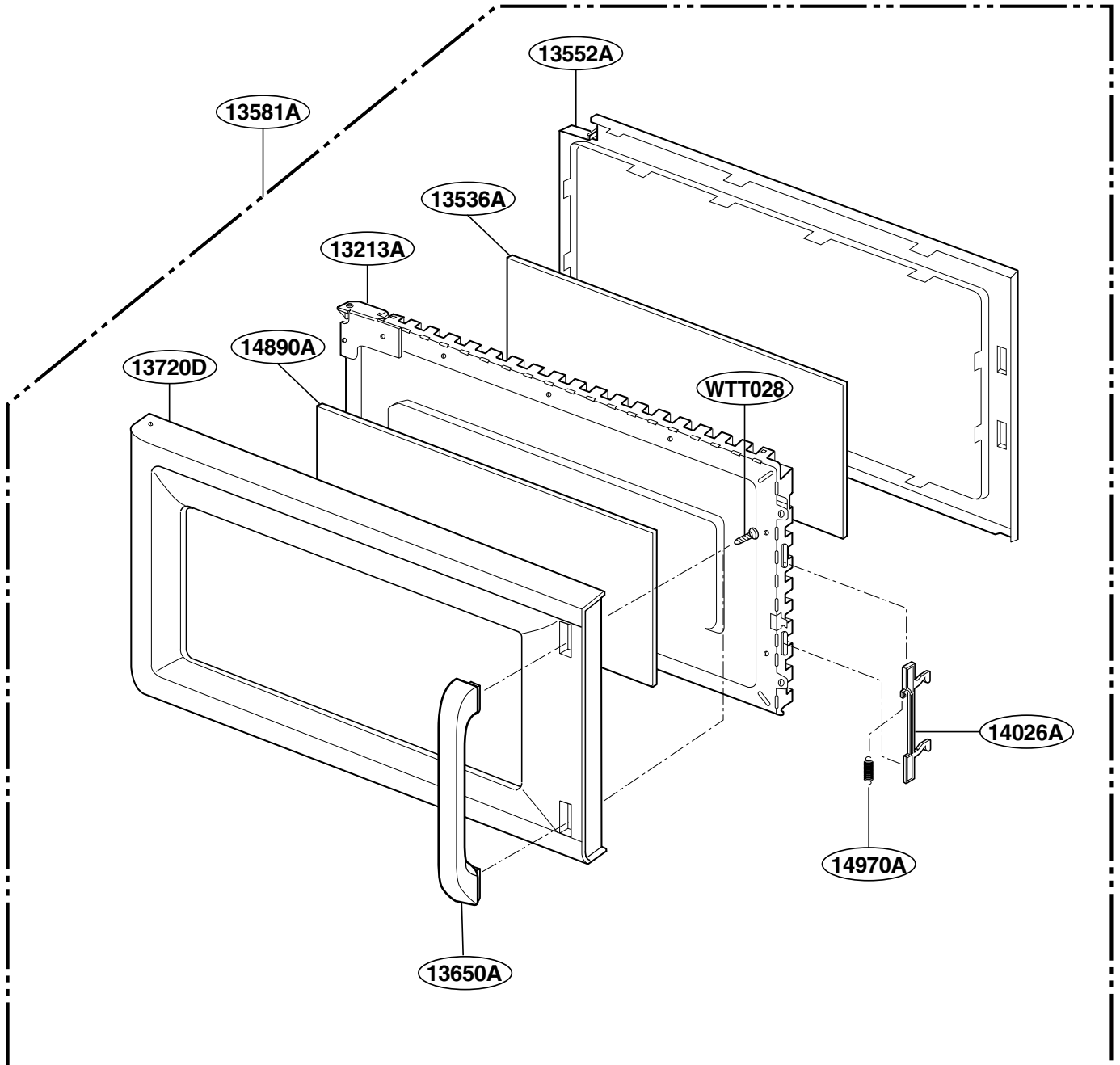
[Find Your GE Microwave Parts - Select From 3055 Models](#)

----- Manual continues below -----

EXPLODED VIEW

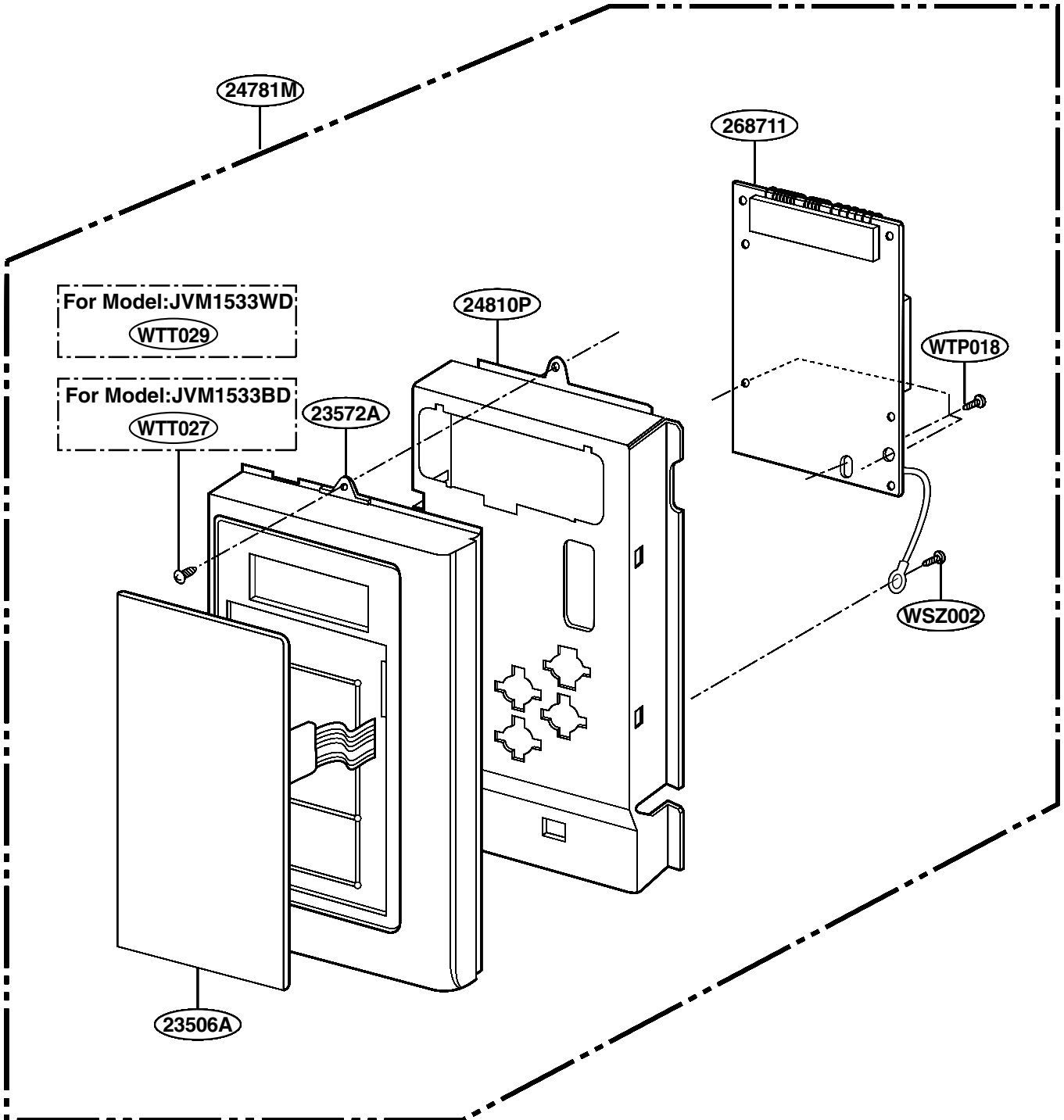
MODEL : JVM1533BD/WD

DOOR PARTS

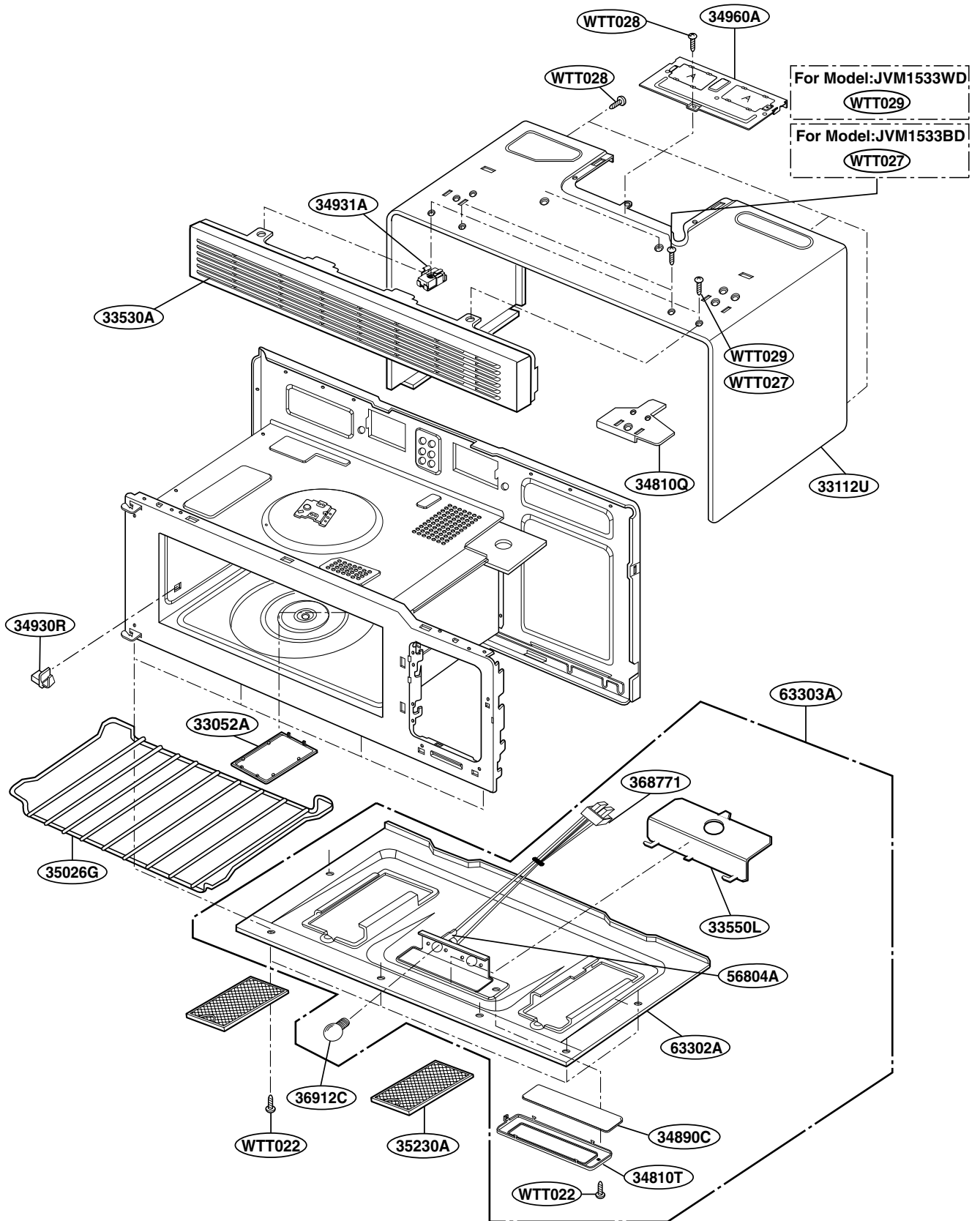


P/No: 3828W5S3292

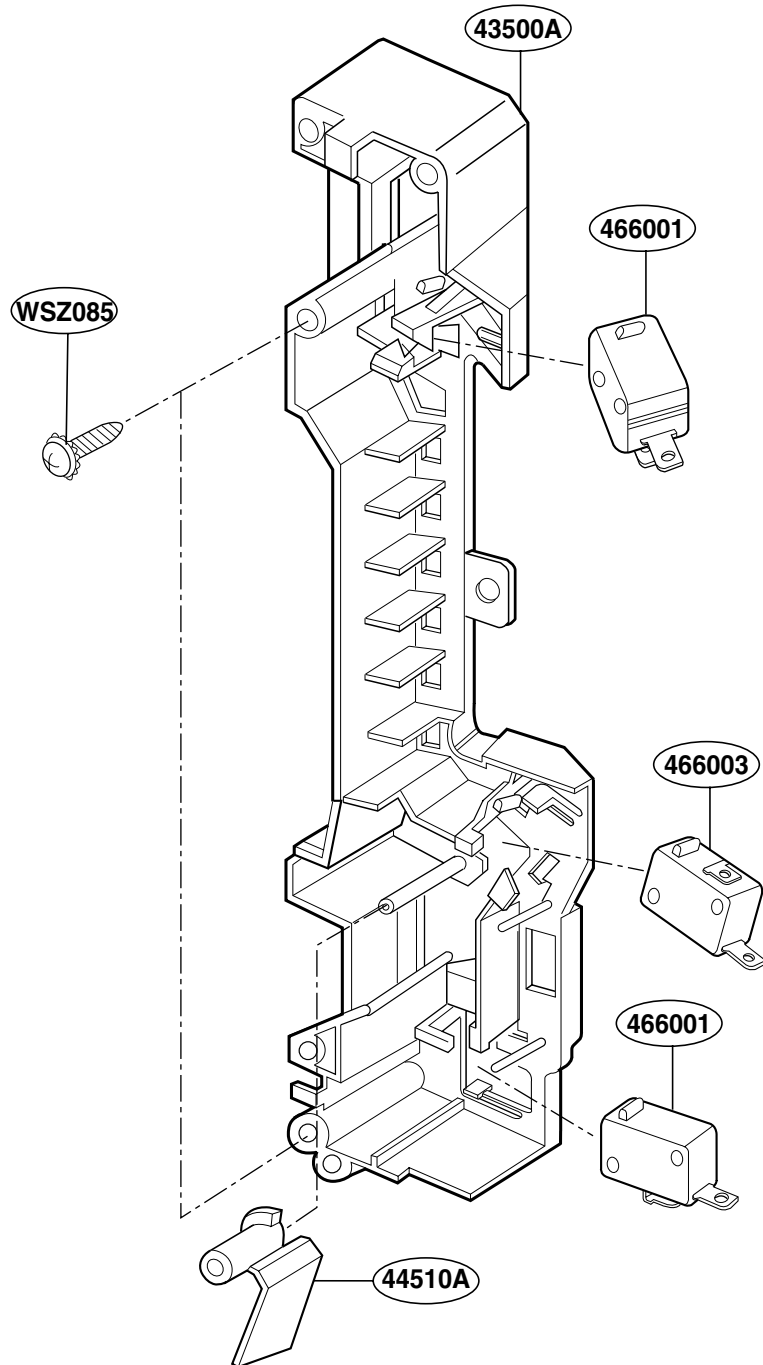
CONTROLLER PARTS



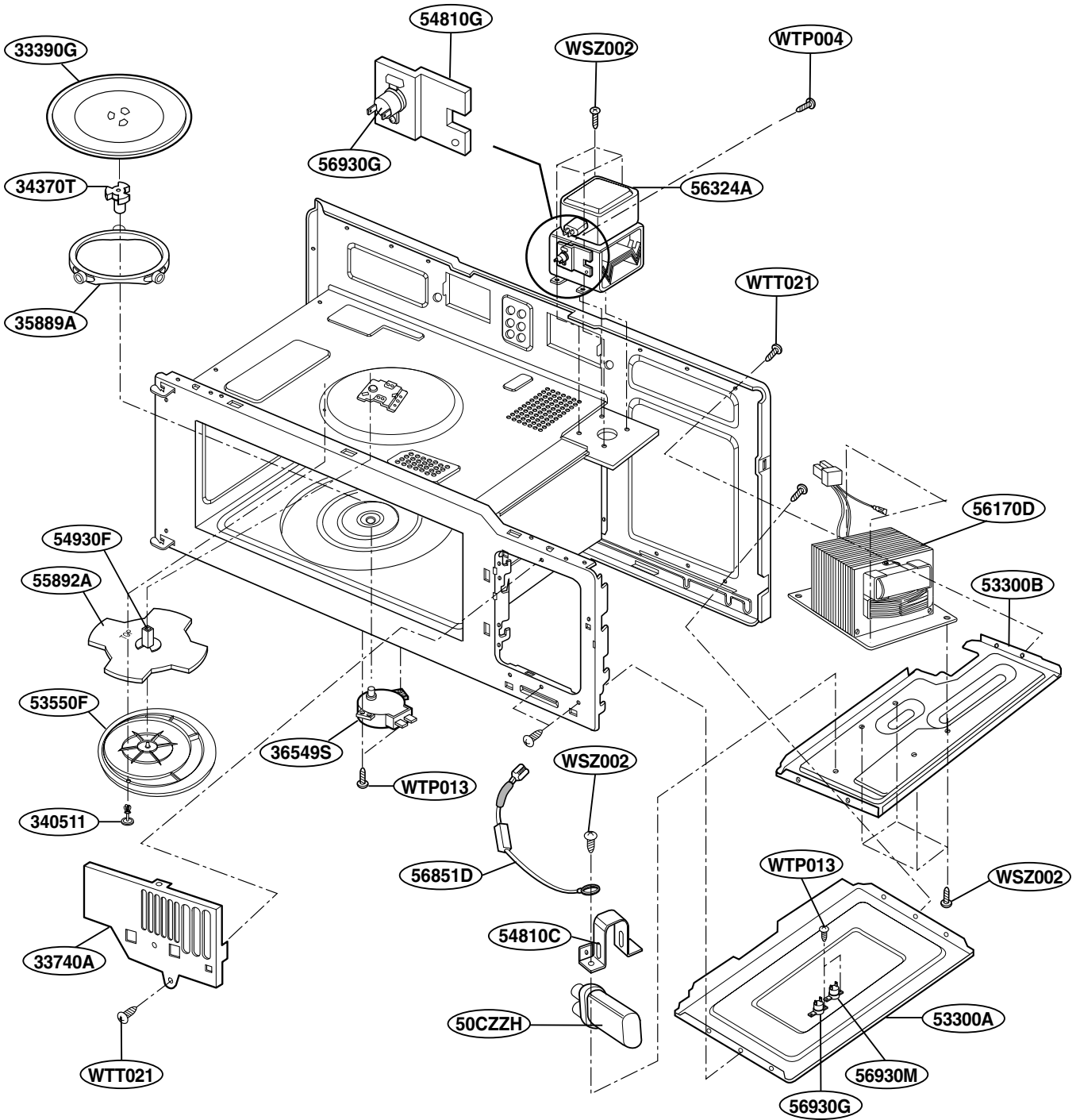
OVEN CAVITY PARTS



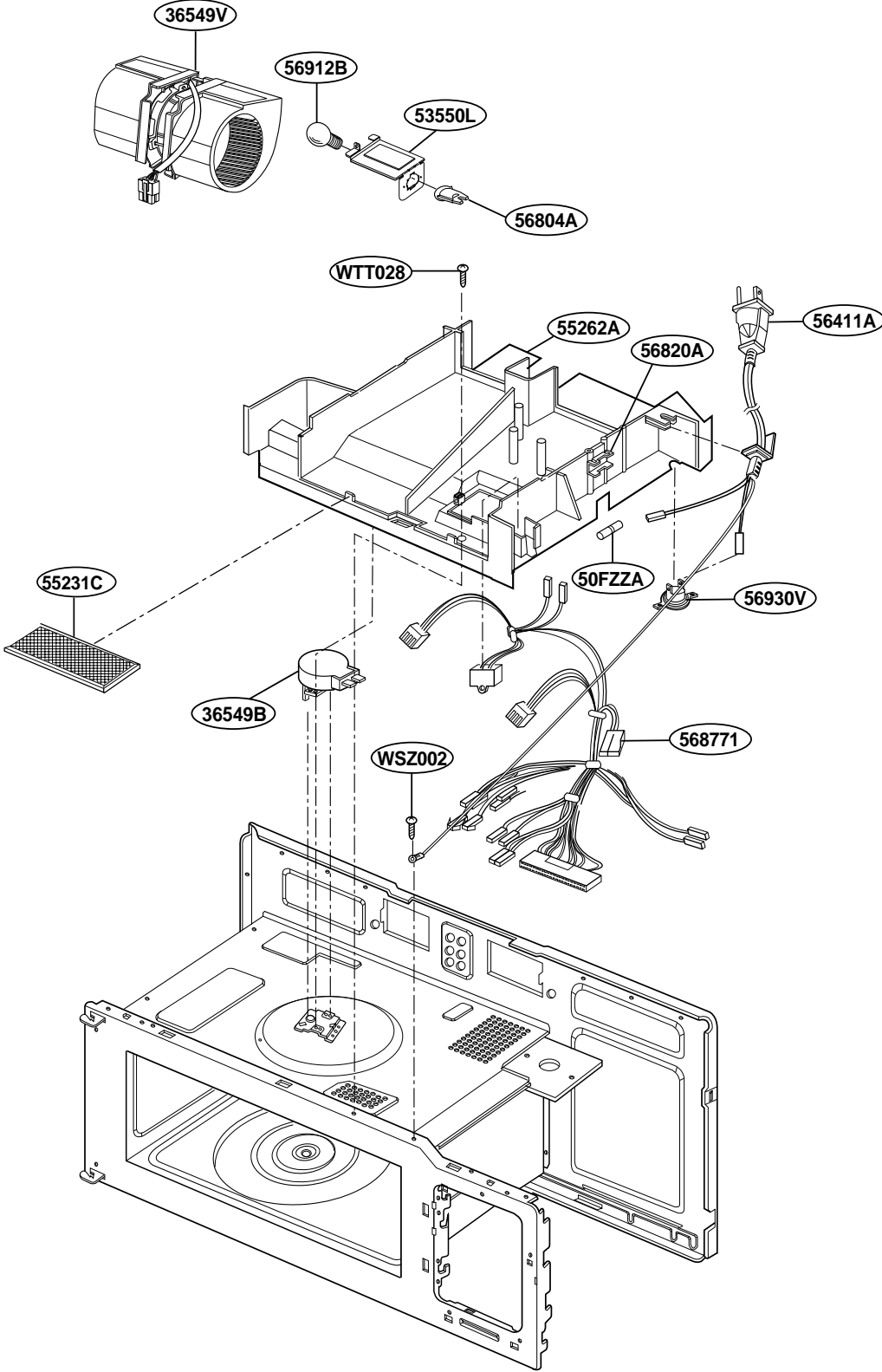
LATCH BOARD PARTS



INTERIOR PARTS(I)



INTERIOR PARTS (II)



INSTALLATION PARTS

