

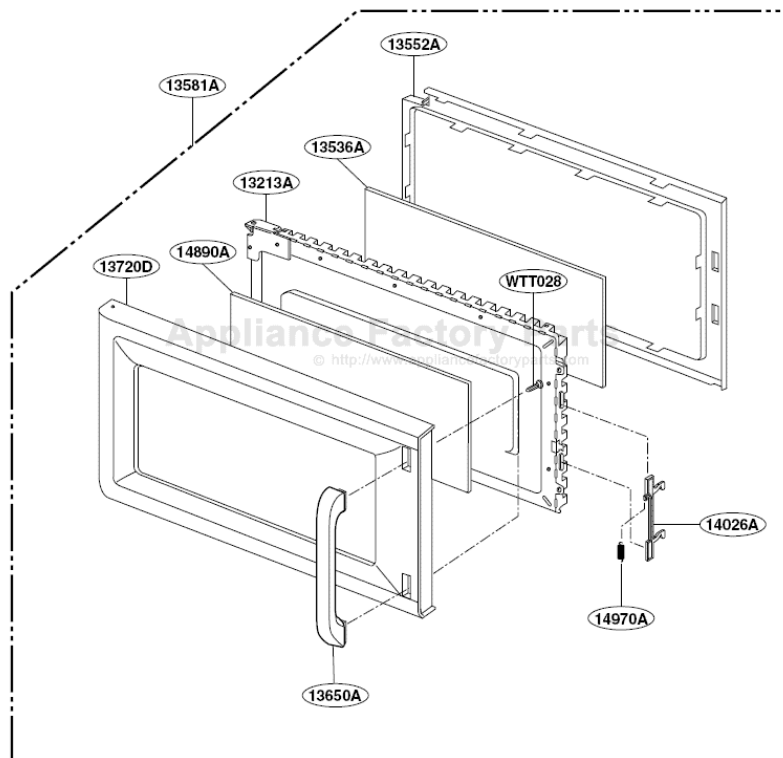
This Owner's Manual is provided and hosted by [Appliance Factory Parts](http://www.ApplianceFactoryParts.com).



# GE JVM1533WD003 Owner's Manual

[Shop genuine replacement parts for GE  
JVM1533WD003](#)

## DOOR PARTS



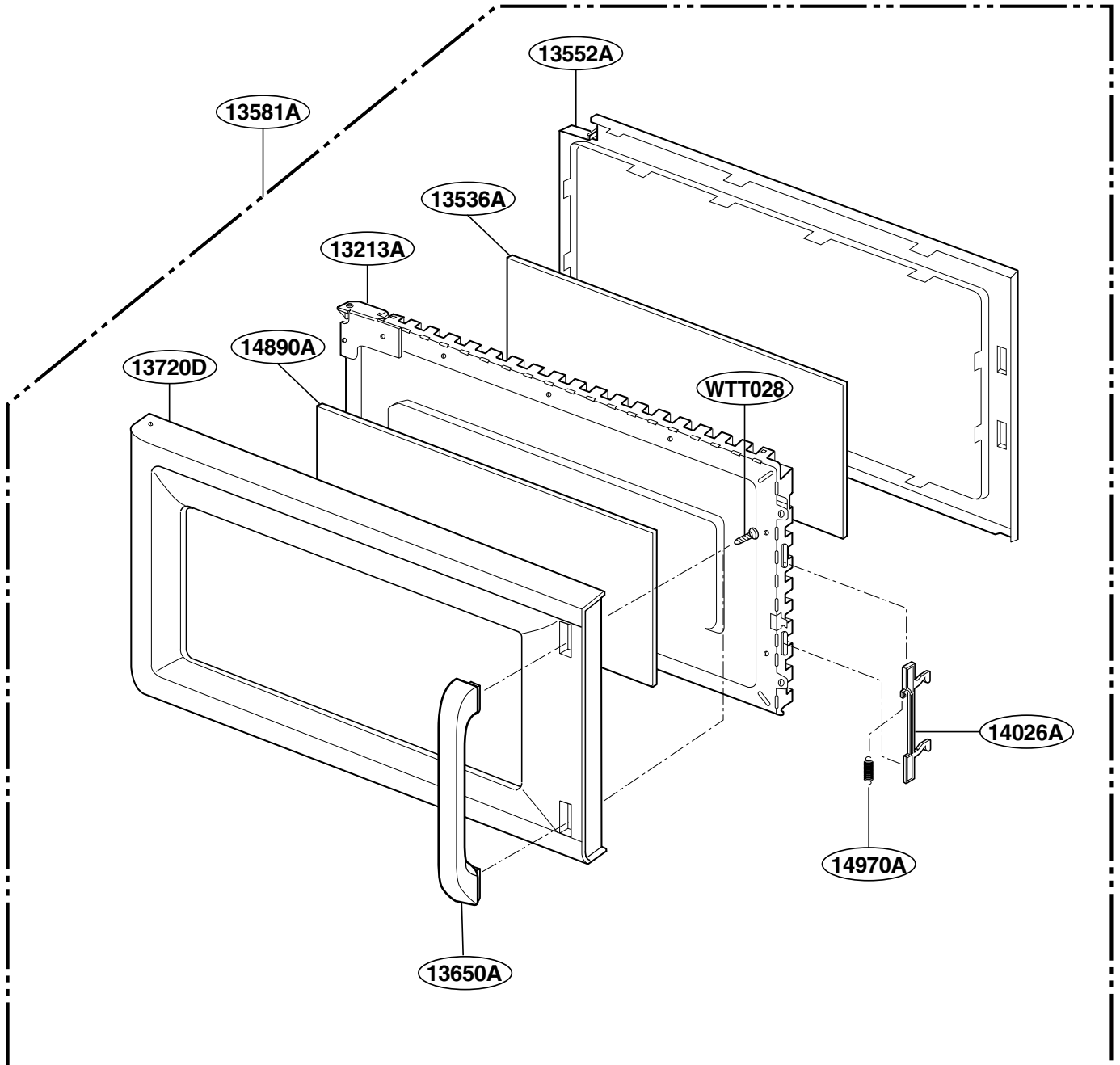
[Find Your GE Microwave Parts - Select From 3055 Models](#)

----- Manual continues below -----

# EXPLODED VIEW

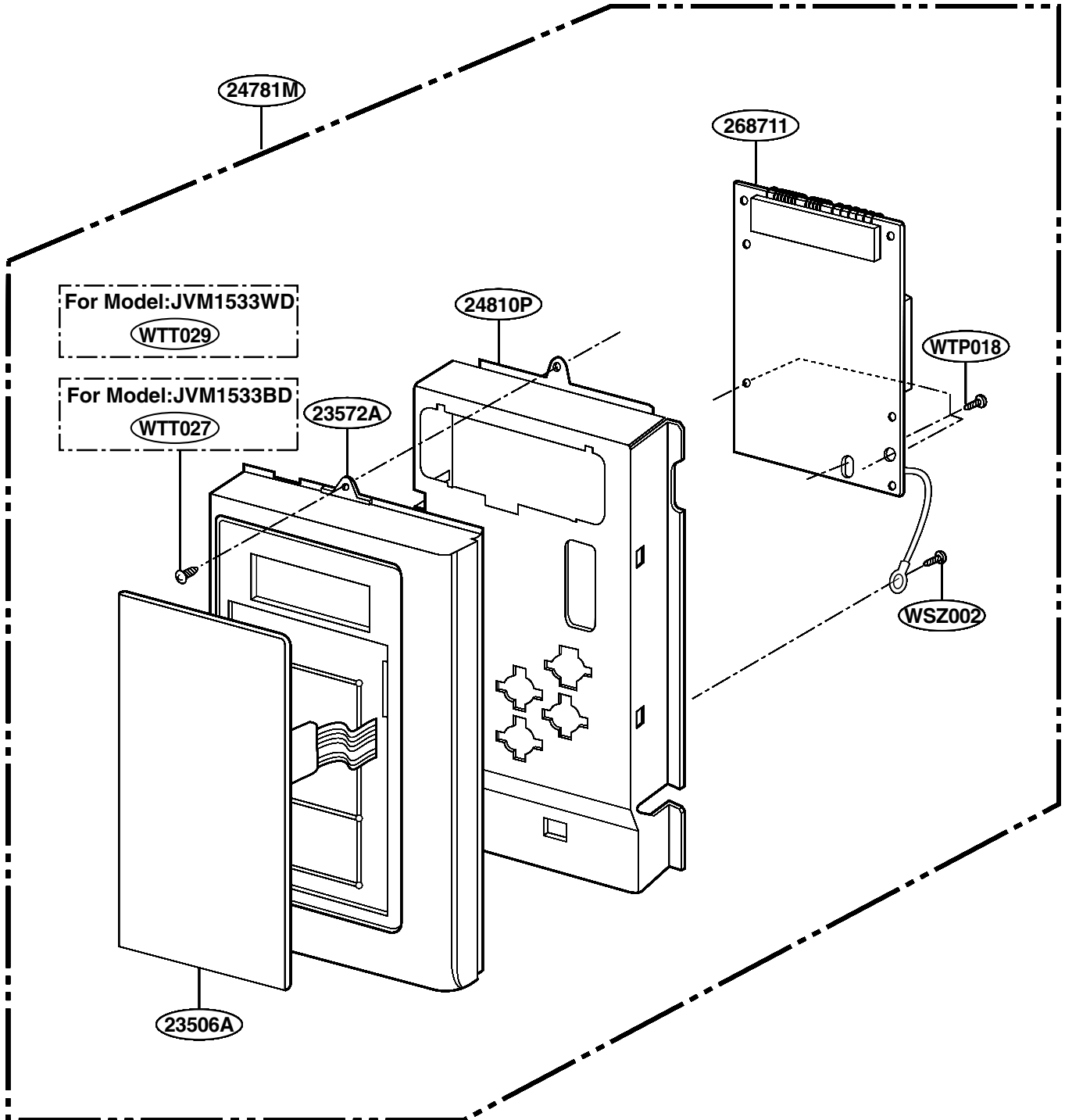
MODEL : JVM1533BD/WD

## DOOR PARTS

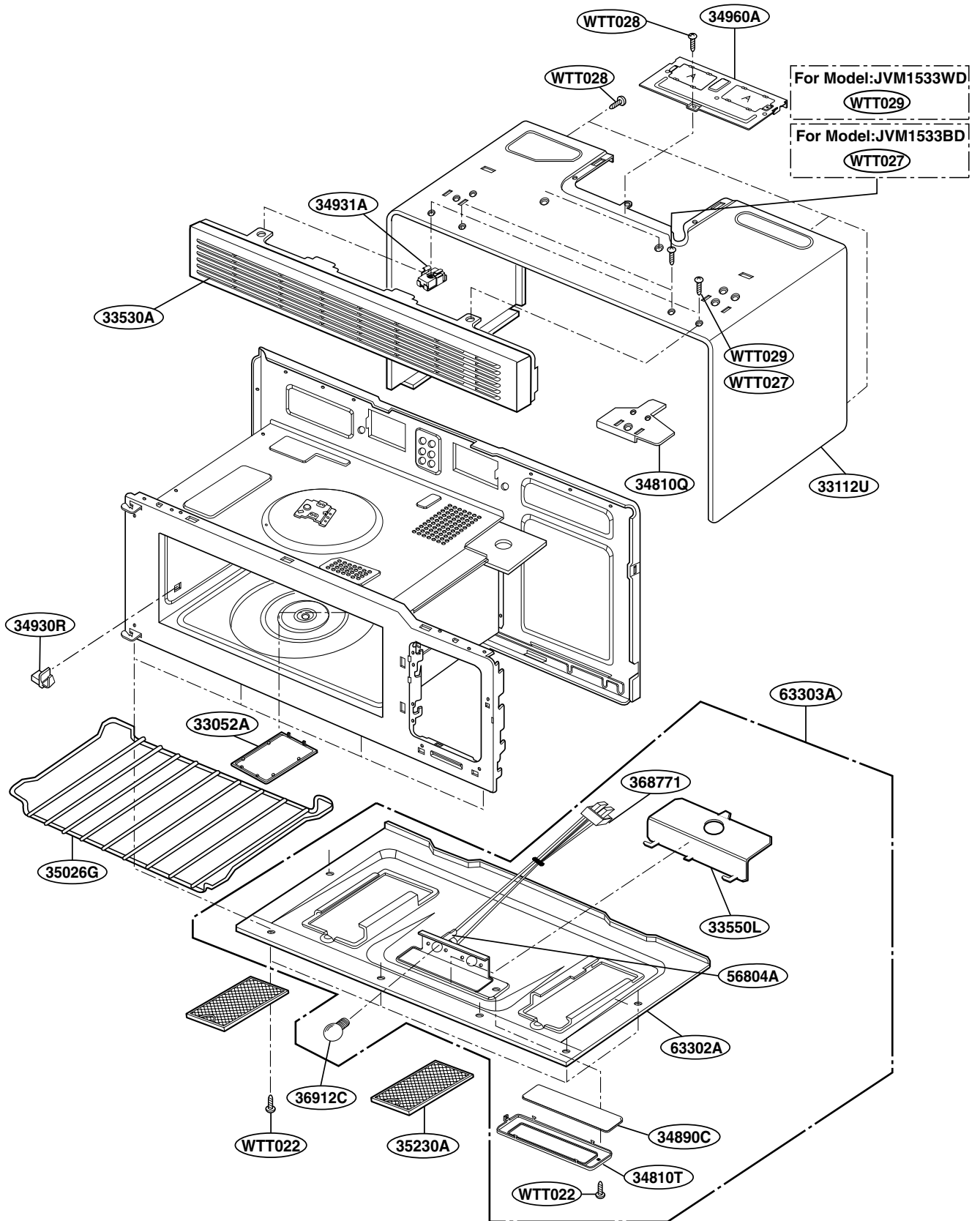


P/No: 3828W5S3292

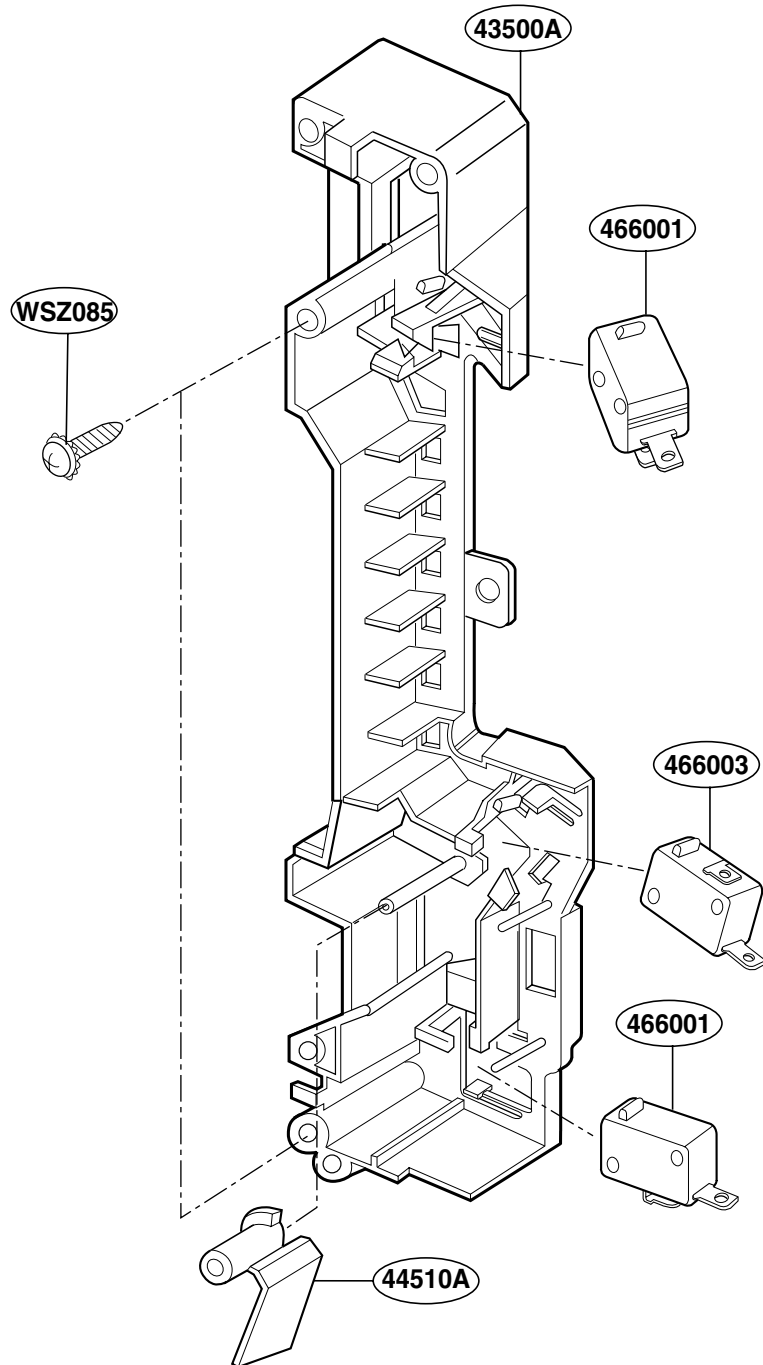
# CONTROLLER PARTS



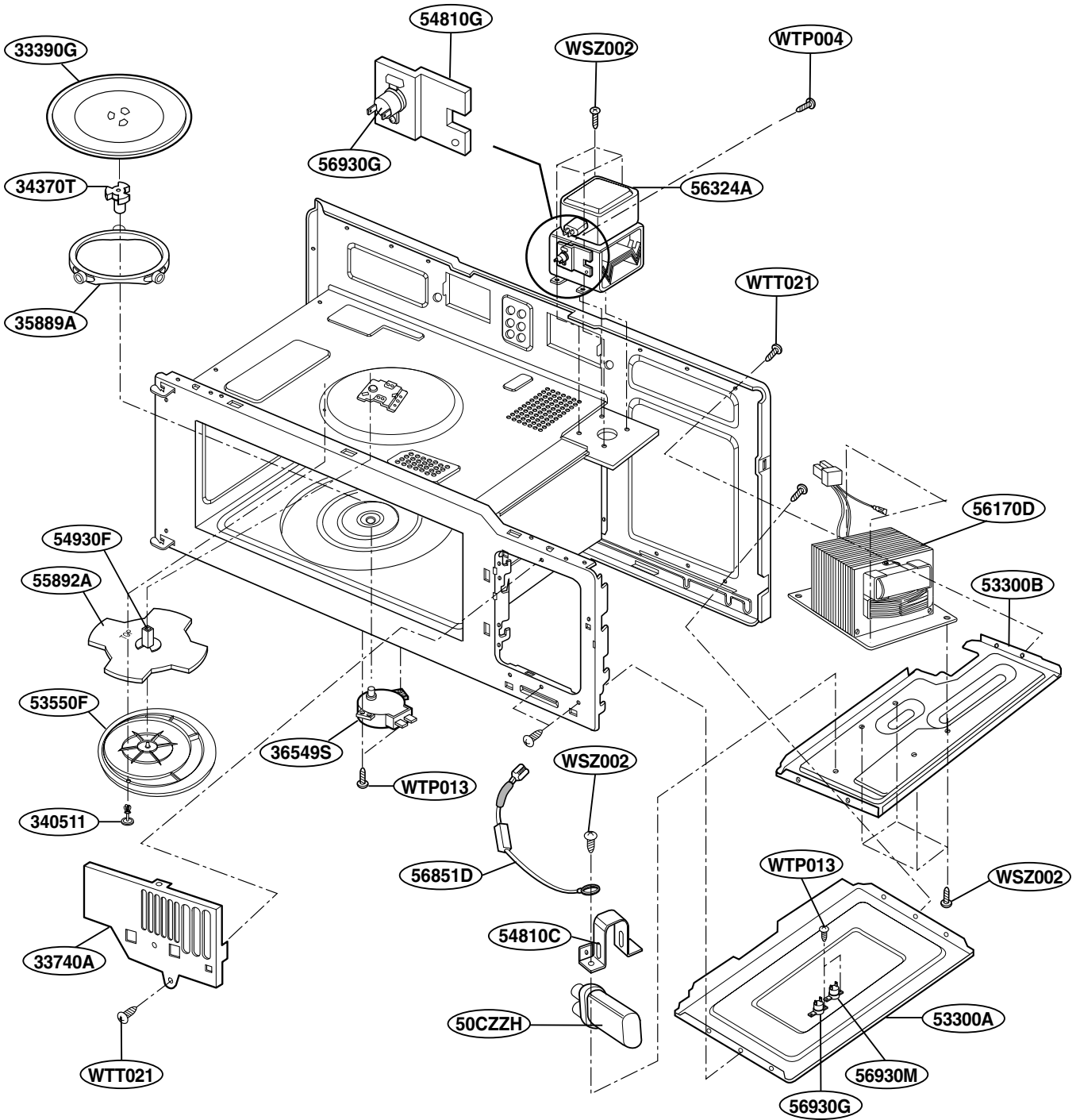
# OVEN CAVITY PARTS



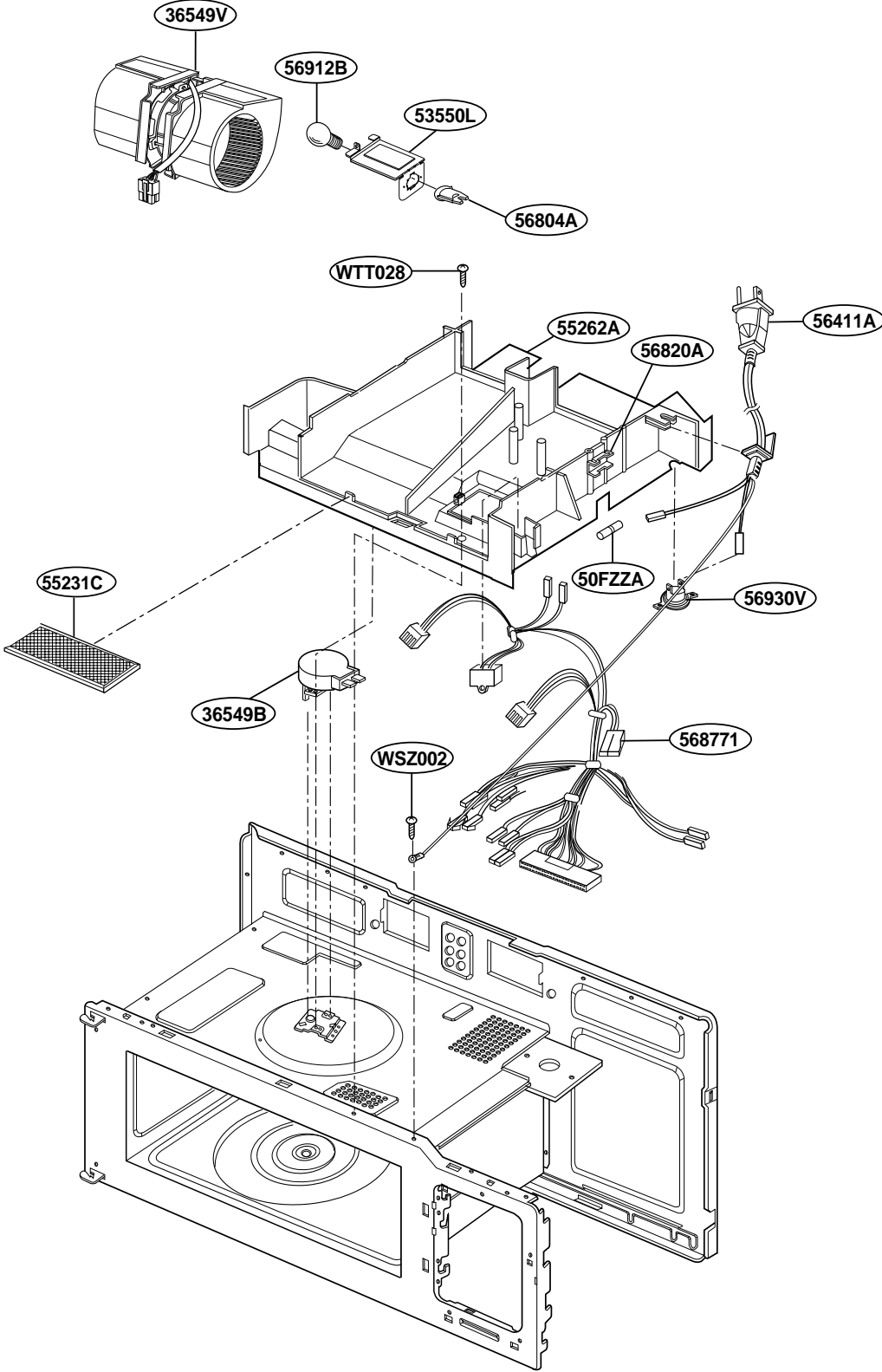
# LATCH BOARD PARTS



# INTERIOR PARTS(I)



# INTERIOR PARTS (II)



# INSTALLATION PARTS

