

This Owner's Manual is provided and hosted by [Appliance Factory Parts](#).



# GE JVM1540DM3CC Owner's Manual

[Shop genuine replacement parts for GE  
JVM1540DM3CC](#)



[Find Your GE Microwave Parts - Select From 3055 Models](#)

----- Manual continues below -----



# CONTROLLER PARTS

For Model :  
JVM1540MWW  
JVM1540DMBB  
JVM1540DMCC  
JNM1541DMWW  
JNM1541DMBB  
JNM1541DMCC  
HVM1540MWW  
HVM1540DMBB

For Model:  
JVM1540DMBB  
JNM1541DMBB  
HVM1540DMBB  
WTT027

For Model:  
JVM1540MWW  
JVM1540DMCC  
JNM1541MWW  
JNM1541DMCC  
HVM1540MWW  
WTT029



For Model :  
JVM1540SMSS  
JVM1540LMCS  
JNM1541SMSS  
HVM1540LMCS  
HVM1540SMSS

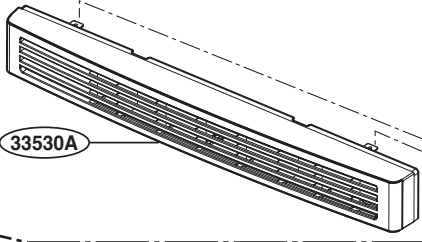


# OVEN CAVITY PARTS

For Model :  
JVM1540SMSS  
JVM1540LMCS  
JNM1541SMSS  
HVM1540LMCS  
HVM1540SMSS



For Model :  
JVM1540DMWW  
JVM1540DMBB  
JVM1540DMCC  
JNM1541DMWW  
JNM1541DMBB  
JNM1541DMCC  
HVM1540DMWW  
HVM1540DMBB

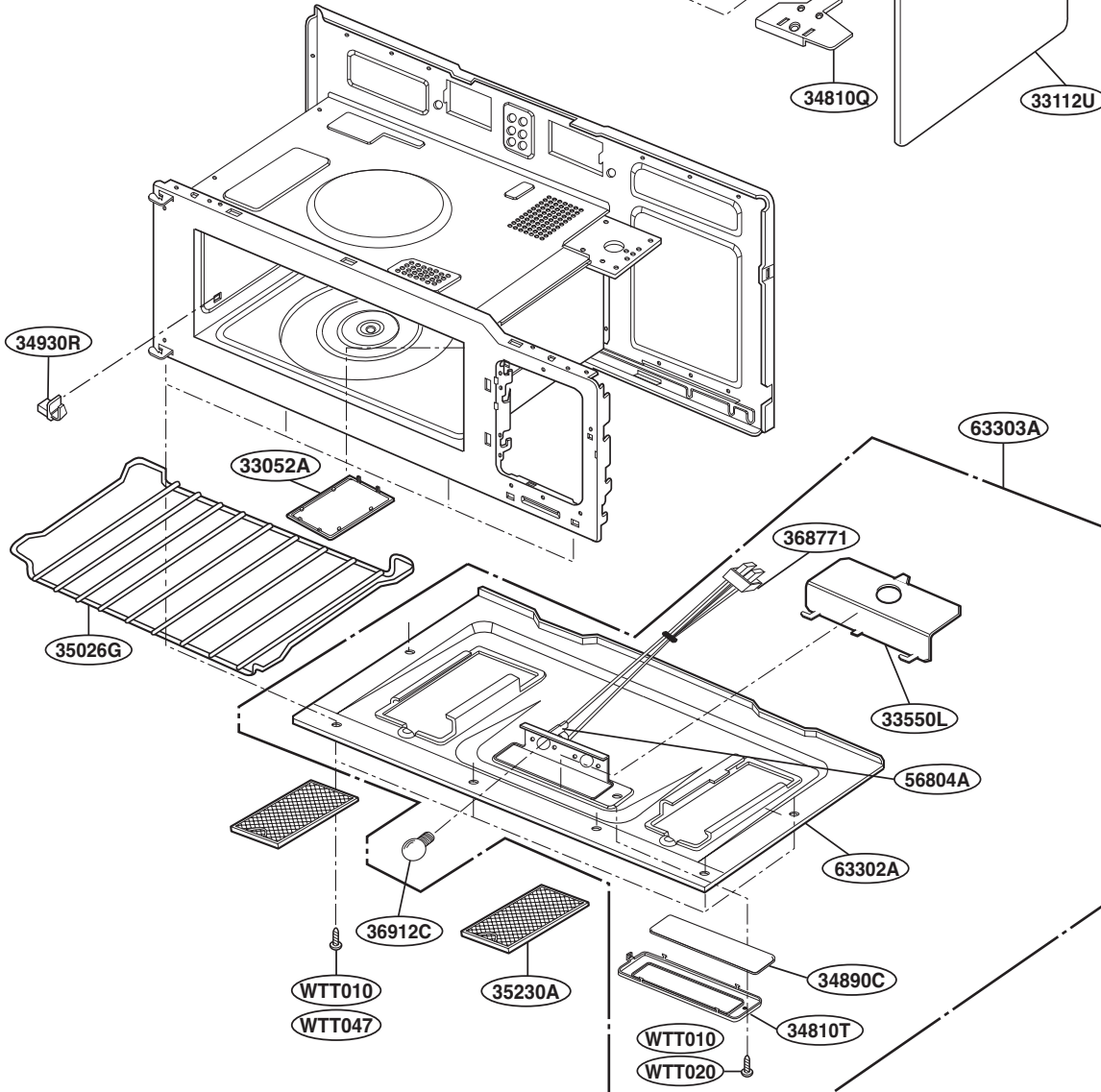
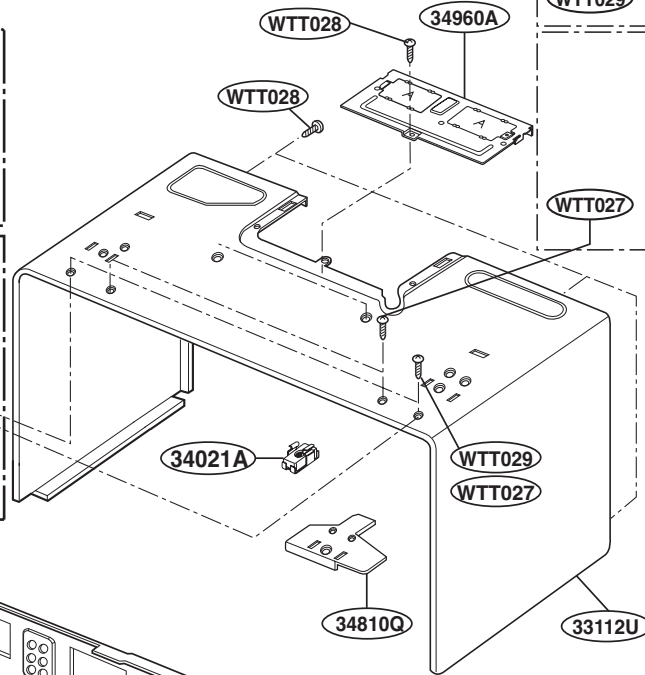


For Model:  
JVM1540DMWW  
JVM1540DMCC  
JNM1541DMWW  
JNM1541DMCC  
HVM1540DMWW

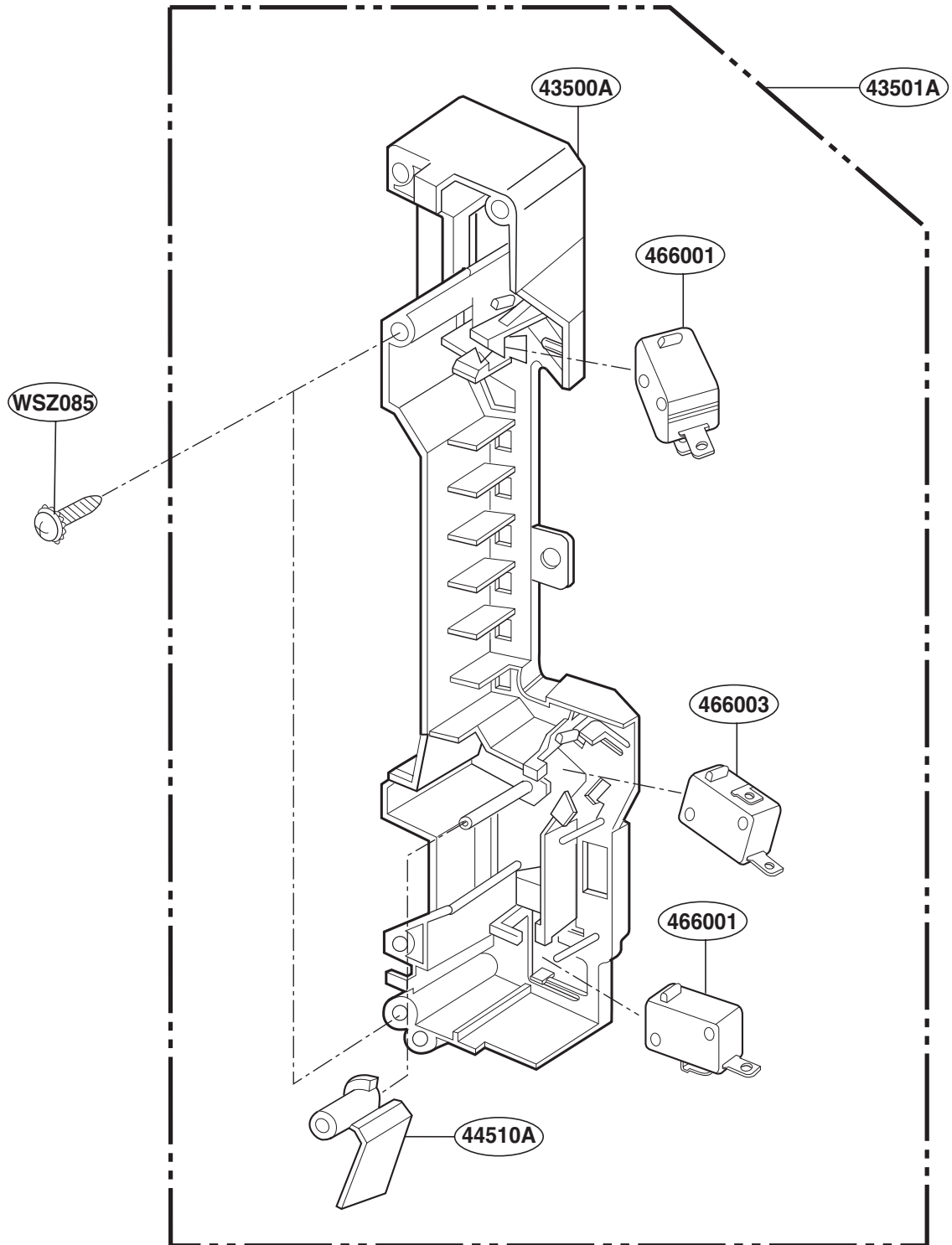
WTT029

For Model:  
JVM1540DMBB  
JNM1541DMBB  
HVM1540DMBB  
JVM1540SMSS  
JVM1540LMCS  
JNM1541SMSS  
HVM1540LMCS  
HVM1540SMSS

WTT027



# LATCH BOARD PARTS



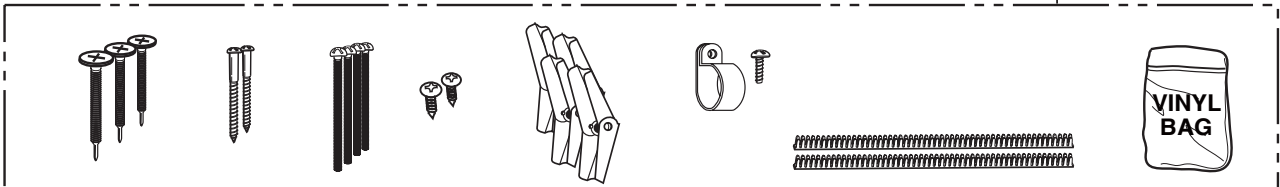
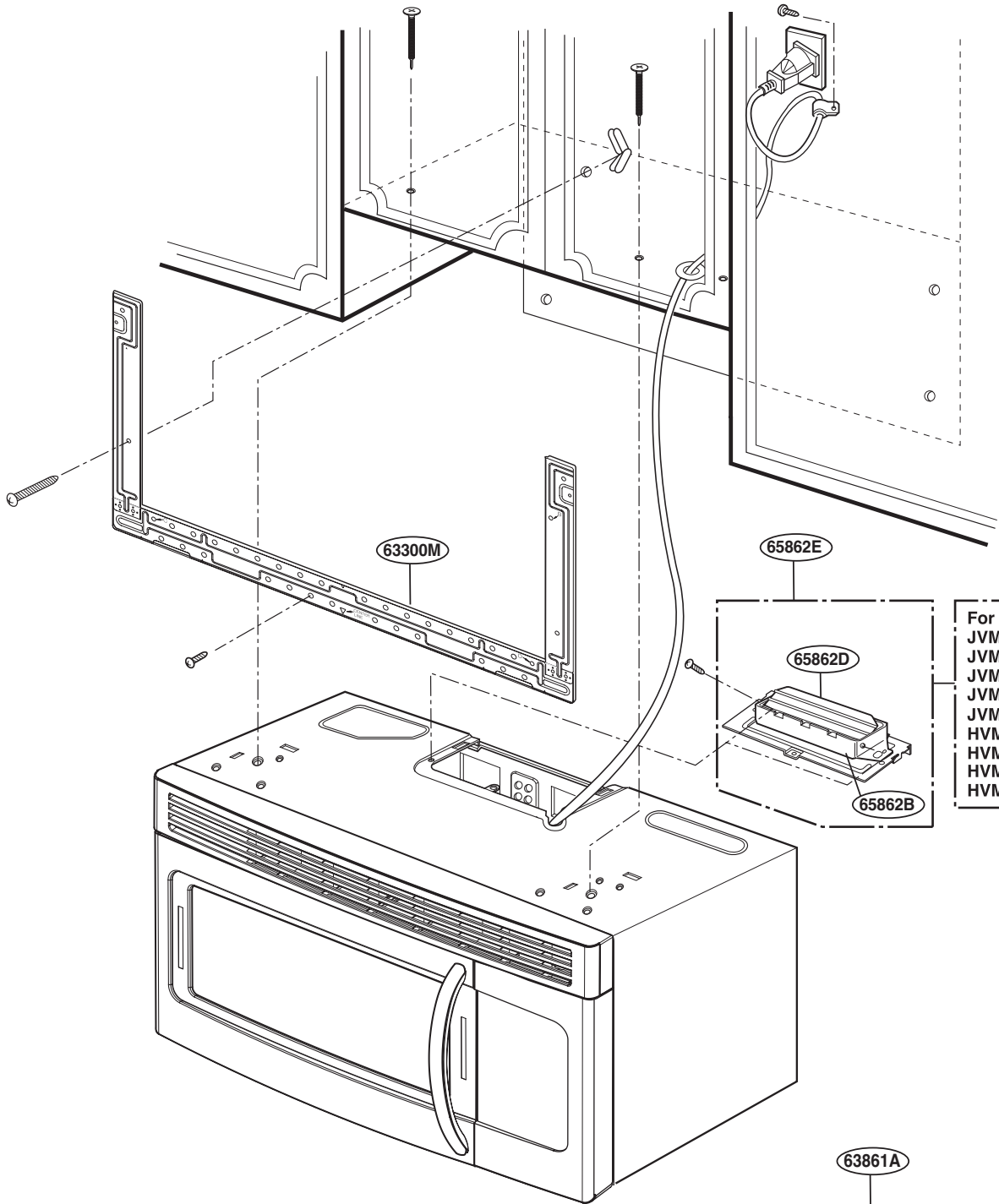
# INTERIOR PARTS (I)



# INTERIOR PARTS (II)



# INSTALLATION PARTS



OWNERS  
MANUAL

\*01

INSTALLATION  
MANUAL

\*04

COOKING  
GUIDE  
LABEL

\*05

TEMPLATE

\*06