

This Owner's Manual is provided and hosted by [Appliance Factory Parts](#).



# GE JVM1540SM1SS Owner's Manual

[Shop genuine replacement parts for GE  
JVM1540SM1SS](#)



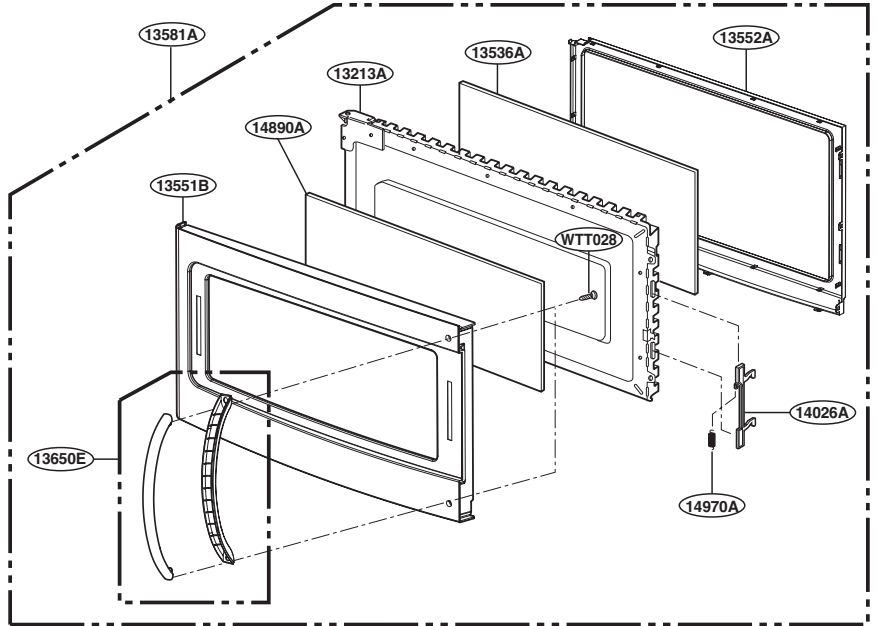
[Find Your GE Microwave Parts - Select From 3055 Models](#)

----- Manual continues below -----

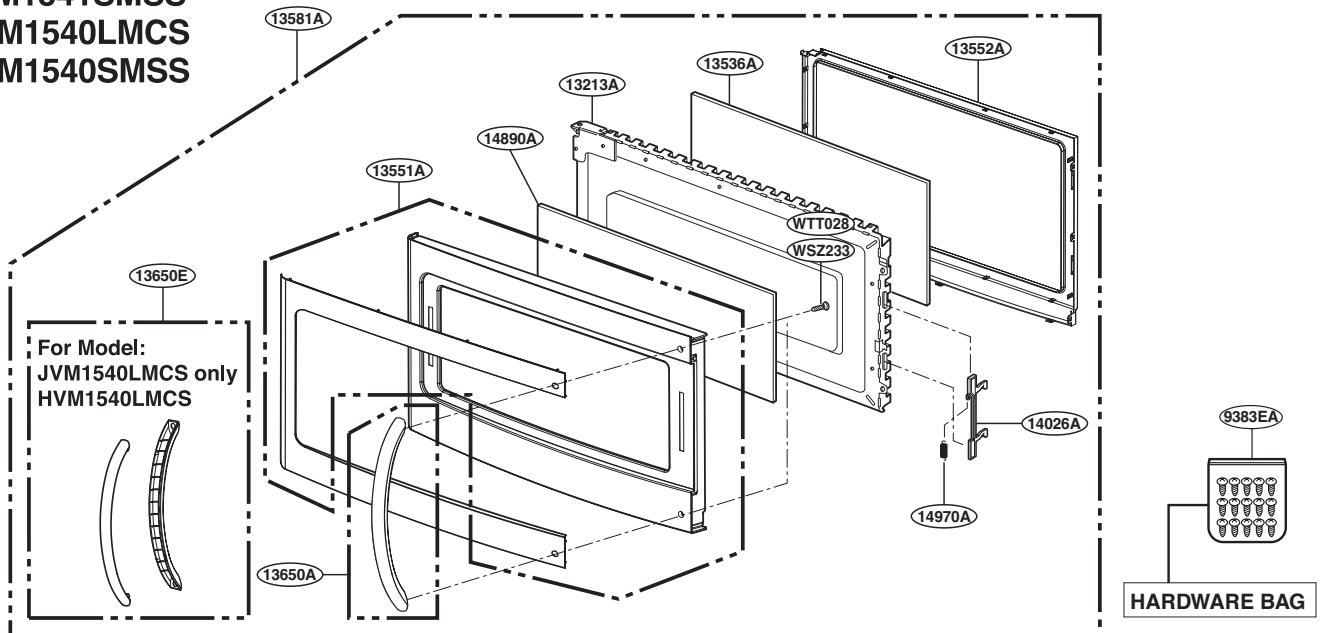
# EXPLODED VIEW

## DOOR PARTS

For Model :  
JVM1540DMWW  
JVM1540DMBB  
JVM1540DMCC  
JNM1541DMWW  
JNM1541DMBB  
JNM1541DMCC  
HVM1540DMWW  
HVM1540DMBB



For Model :  
JVM1540SMSS  
JVM1540LMCS  
JNM1541SMSS  
HVM1540LMCS  
HVM1540SMSS



P/No: MFL32357701

# CONTROLLER PARTS

For Model :  
 JVM1540MWW  
 JVM1540DMBB  
 JVM1540DMCC  
 JNM1541DMWW  
 JNM1541DMBB  
 JNM1541DMCC  
 HVM1540MWW  
 HVM1540DMBB

For Model:  
 JVM1540DMBB  
 JNM1541DMBB  
 HVM1540DMBB  
 (WTT027)

For Model:  
 JVM1540MWW  
 JVM1540DMCC  
 JNM1541DMWW  
 JNM1541DMCC  
 HVM1540MWW  
 (WTT029)

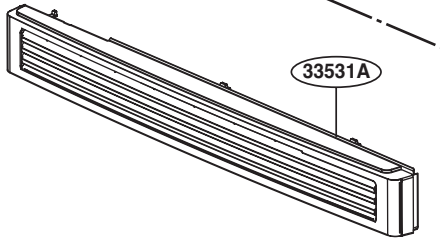


For Model :  
 JVM1540SMSS  
 JVM1540LMCS  
 JNM1541SMSS  
 HVM1540LMCS  
 HVM1540SMSS



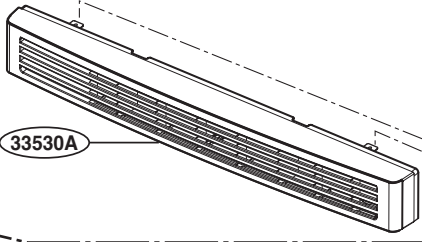
# OVEN CAVITY PARTS

For Model :  
 JVM1540SMSS  
 JVM1540LMCS  
 JNM1541SMSS  
 HVM1540LMCS  
 HVM1540SMSS



33531A

For Model :  
 JVM1540DMWW  
 JVM1540DMBB  
 JVM1540DMCC  
 JNM1541DMWW  
 JNM1541DMBB  
 JNM1541DMCC  
 HVM1540DMWW  
 HVM1540DMBB



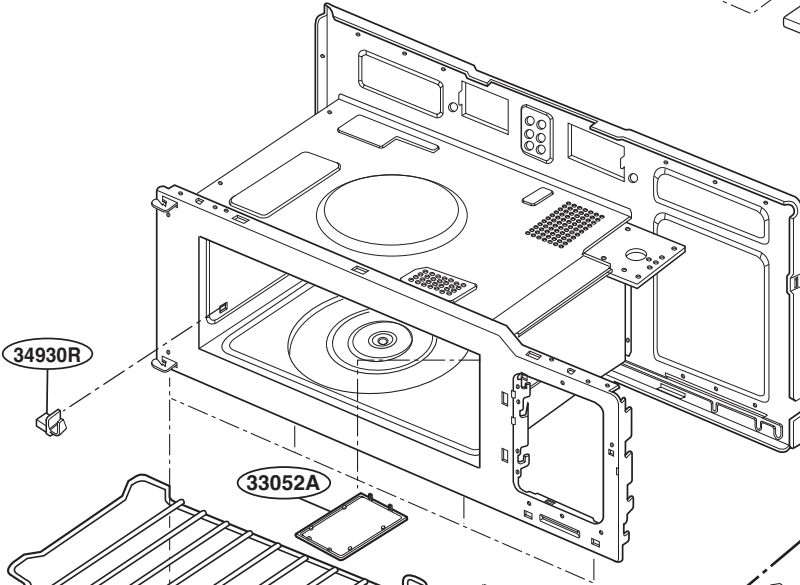
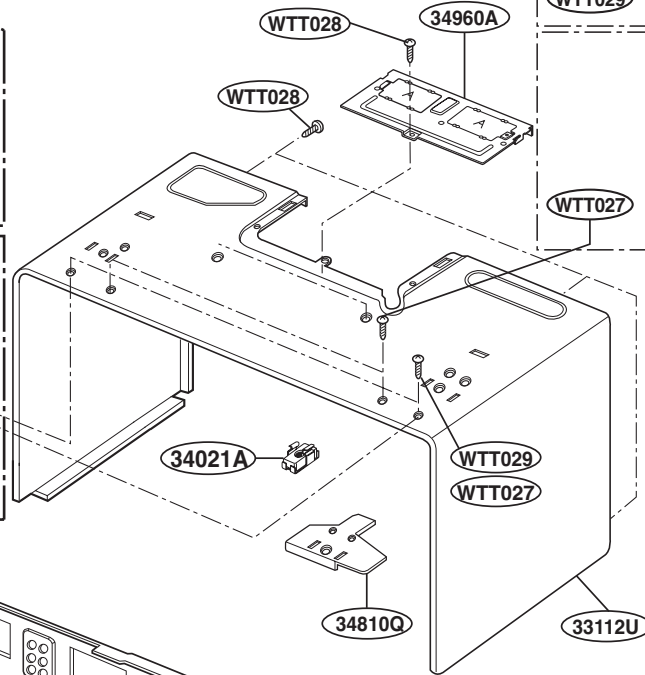
33530A

For Model:  
 JVM1540DMWW  
 JVM1540DMCC  
 JNM1541DMWW  
 JNM1541DMCC  
 HVM1540DMWW

WTT029

For Model:  
 JVM1540DMBB  
 JNM1541DMBB  
 HVM1540DMBB  
 JVM1540SMSS  
 JVM1540LMCS  
 JNM1541SMSS  
 HVM1540LMCS  
 HVM1540SMSS

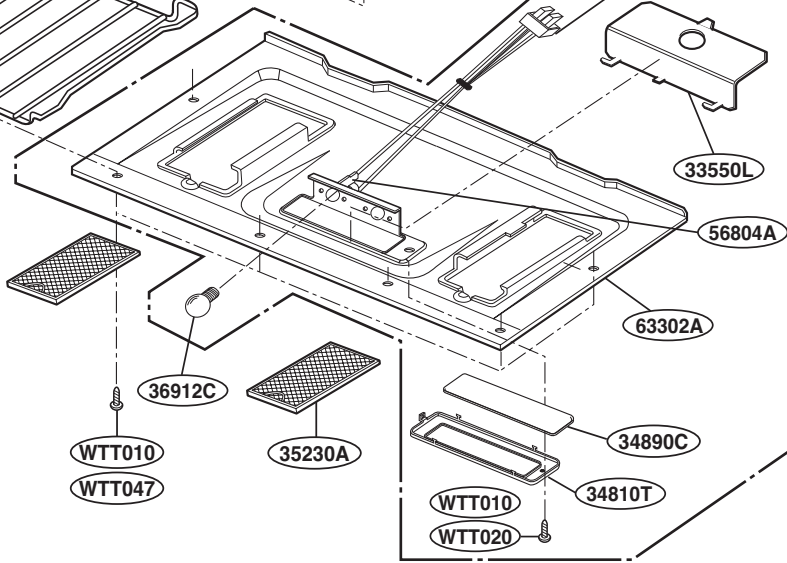
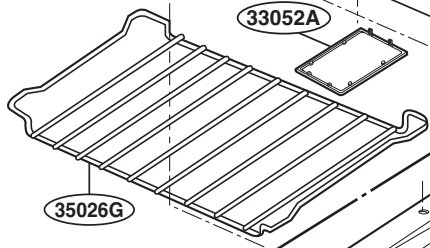
WTT027



34930R

33052A

35026G



63303A

368771

33550L

56804A

63302A

36912C

35230A

34890C

34810T

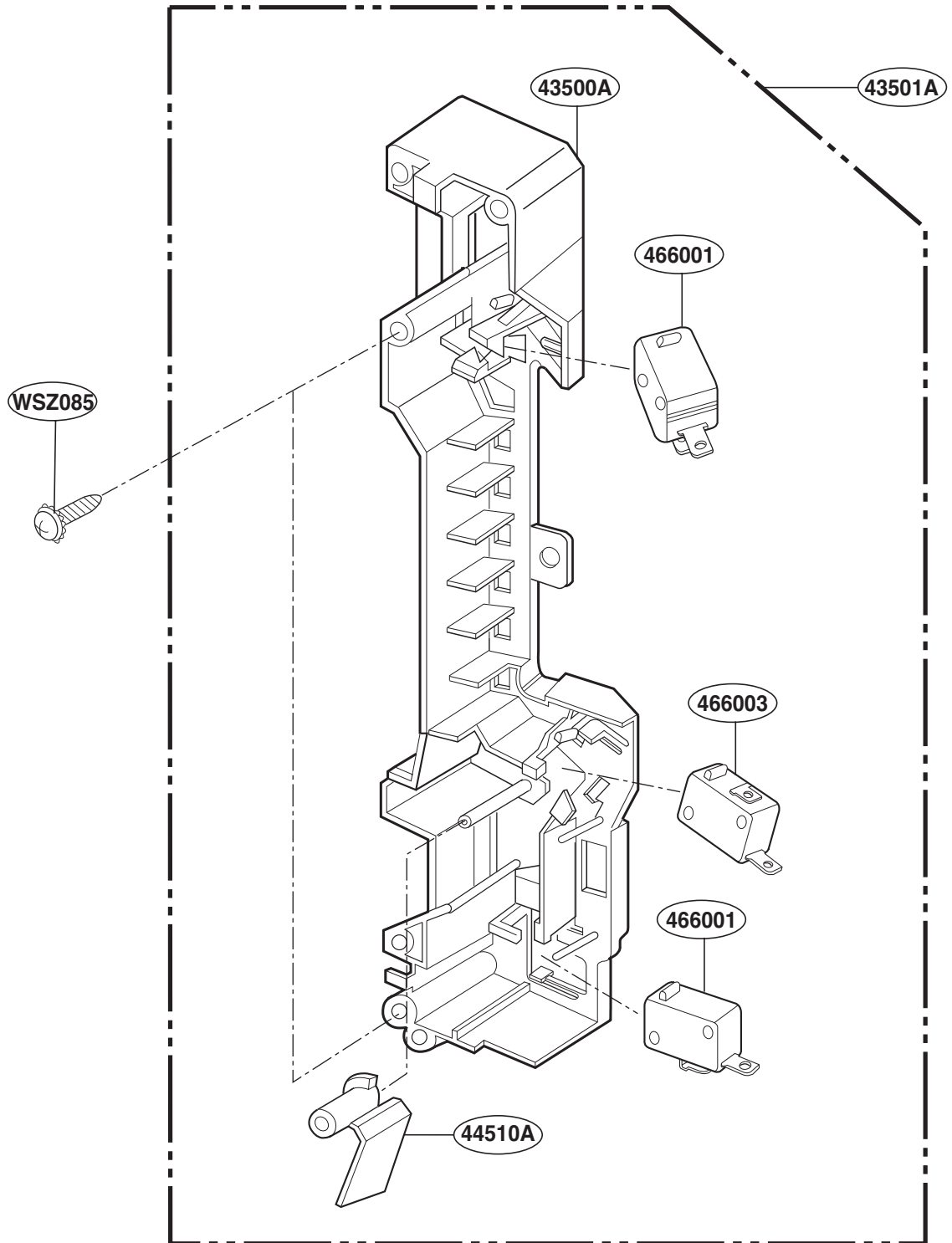
WTT010

WTT047

WTT010

WTT020

# LATCH BOARD PARTS



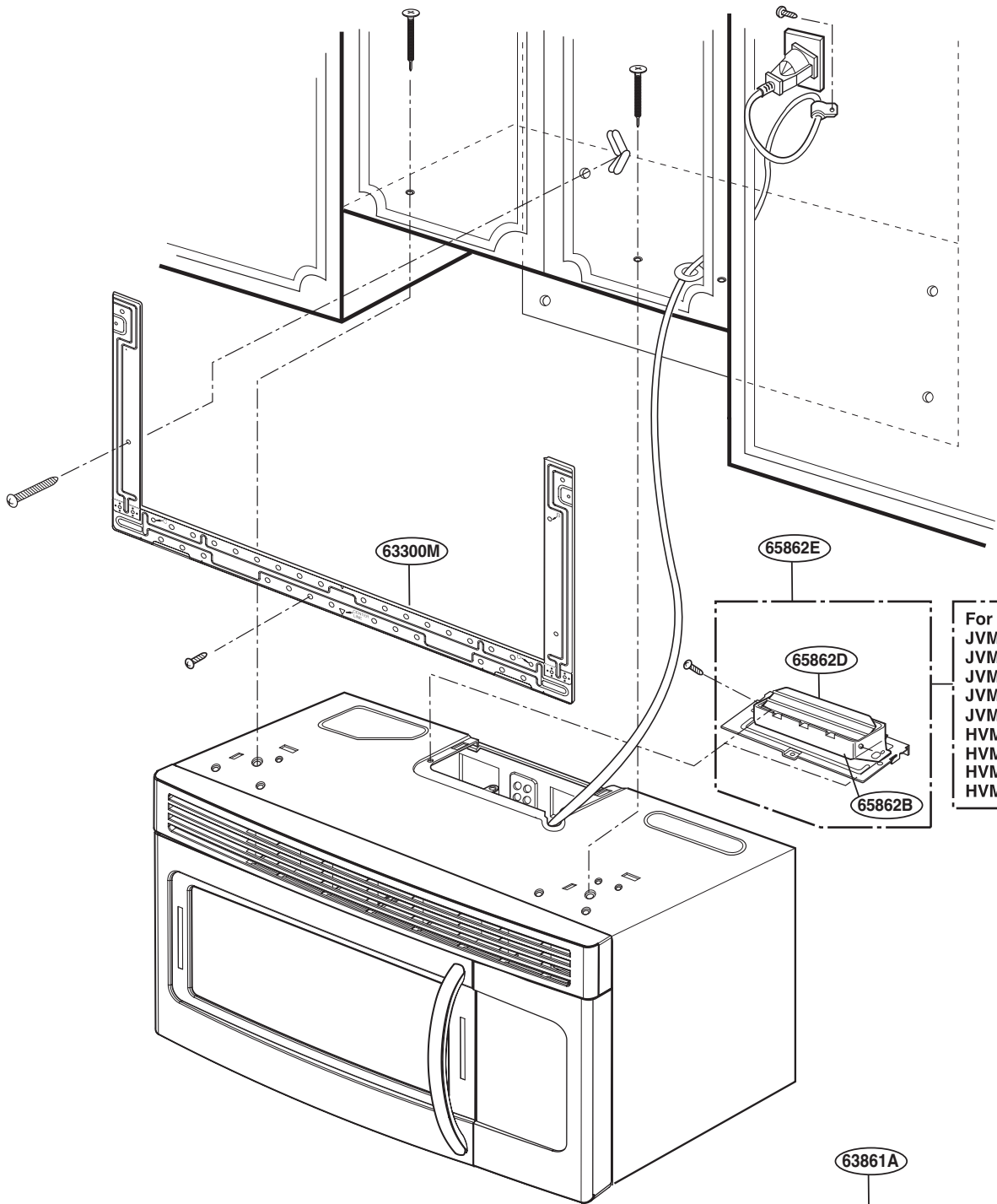
# INTERIOR PARTS (I)



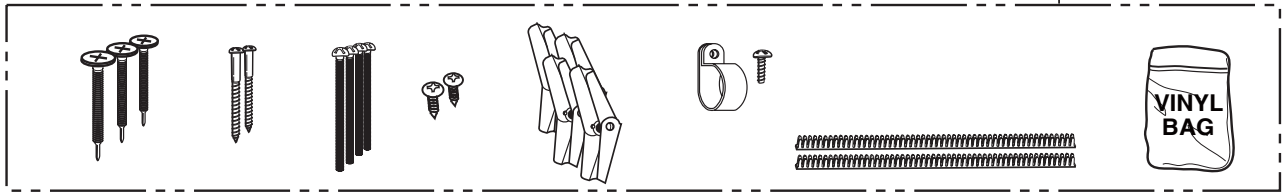
# INTERIOR PARTS (II)



# INSTALLATION PARTS



For Model :  
 JVM1540MWW  
 JVM1540DMBB  
 JVM1540DMCC  
 JVM1540SMSS  
 JVM1540LMCS  
 HVM1540MWW  
 HVM1540DMBB  
 HVM1540LMCS  
 HVM1540SMSS



- OWNERS MANUAL
- \*01
- INSTALLATION MANUAL
- \*04
- COOKING GUIDE LABEL
- \*05
- TEMPLATE
- \*06