

This Owner's Manual is provided and hosted by [Appliance Factory Parts](#).



# GE JVM1540SN1SS Owner's Manual

[Shop genuine replacement parts for GE  
JVM1540SN1SS](#)



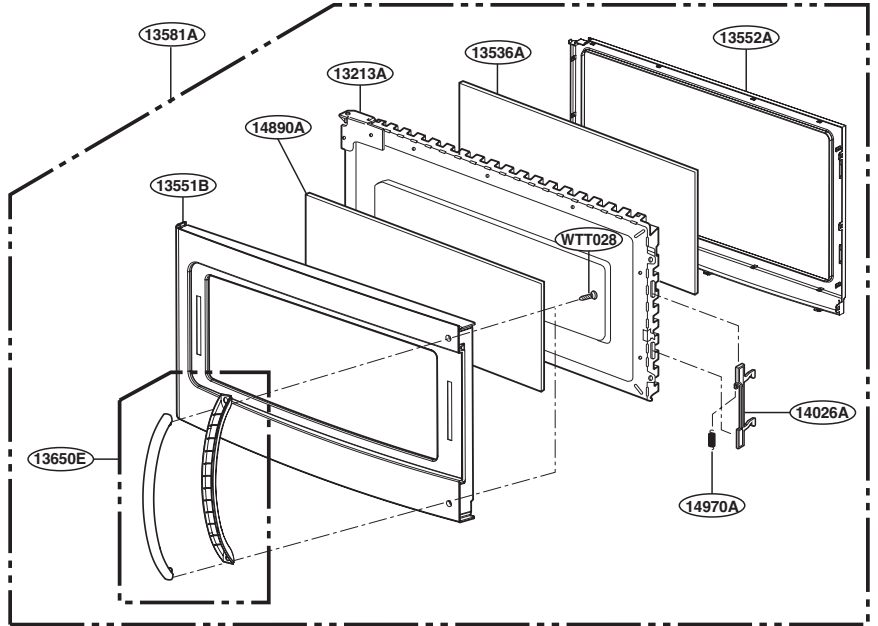
[Find Your GE Microwave Parts - Select From 3055 Models](#)

----- Manual continues below -----

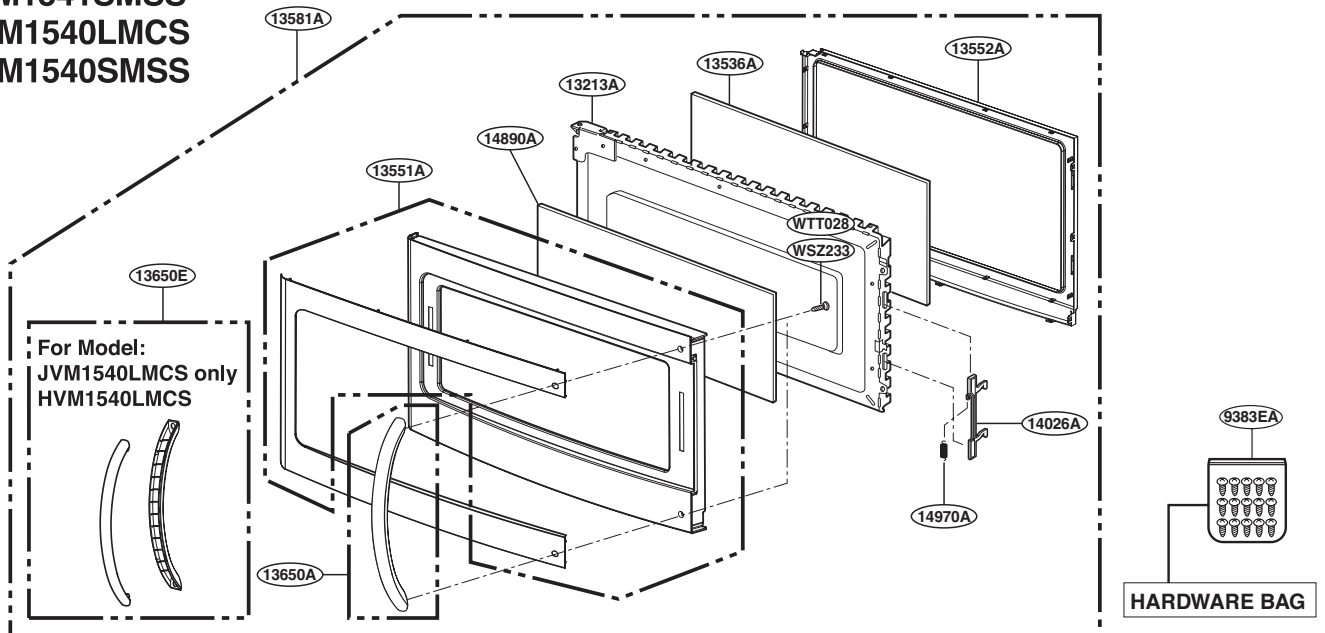
# EXPLODED VIEW

## DOOR PARTS

For Model :  
JVM1540DMWW  
JVM1540DMBB  
JVM1540DMCC  
JNM1541DMWW  
JNM1541DMBB  
JNM1541DMCC  
HVM1540DMWW  
HVM1540DMBB



For Model :  
JVM1540SMSS  
JVM1540LMCS  
JNM1541SMSS  
HVM1540LMCS  
HVM1540SMSS



P/No: MFL32357701

# CONTROLLER PARTS

For Model :  
JVM1540MWW  
JVM1540DMBB  
JVM1540DMCC  
JNM1541DMWW  
JNM1541DMBB  
JNM1541DMCC  
HVM1540MWW  
HVM1540DMBB

For Model:  
JVM1540DMBB  
JNM1541DMBB  
HVM1540DMBB  
WTT027

For Model:  
JVM1540MWW  
JVM1540DMCC  
JNM1541DMWW  
JNM1541DMCC  
HVM1540MWW  
WTT029

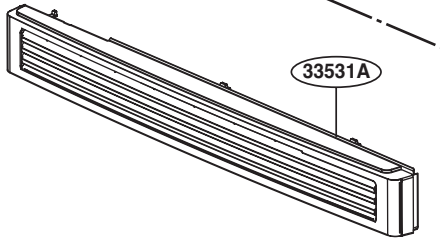


For Model :  
JVM1540SMSS  
JVM1540LMCS  
JNM1541SMSS  
HVM1540LMCS  
HVM1540SMSS



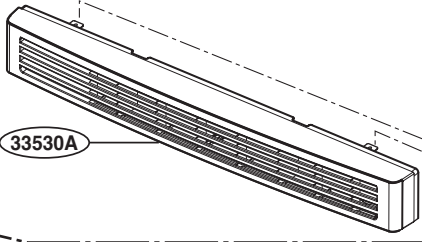
# OVEN CAVITY PARTS

For Model :  
 JVM1540SMSS  
 JVM1540LMCS  
 JNM1541SMSS  
 HVM1540LMCS  
 HVM1540SMSS



33531A

For Model :  
 JVM1540DMWW  
 JVM1540DMBB  
 JVM1540DMCC  
 JNM1541DMWW  
 JNM1541DMBB  
 JNM1541DMCC  
 HVM1540DMWW  
 HVM1540DMBB



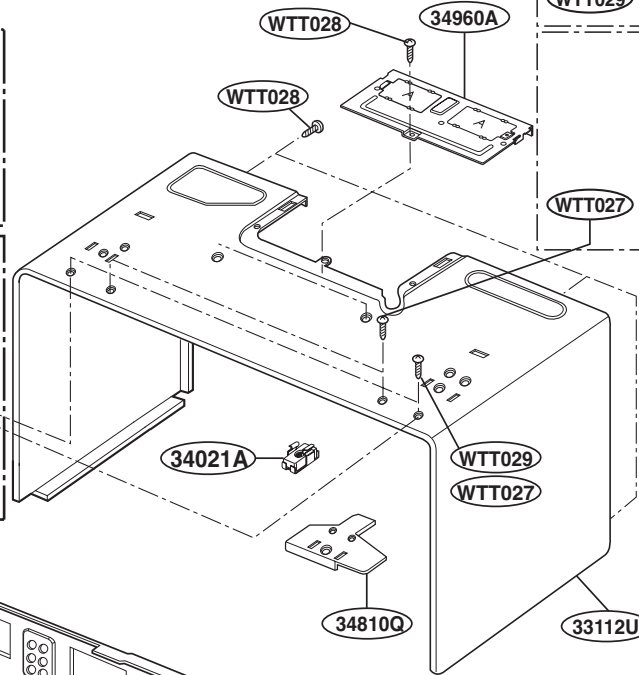
33530A

For Model:  
 JVM1540DMWW  
 JVM1540DMCC  
 JNM1541DMWW  
 JNM1541DMCC  
 HVM1540DMWW

WTT029

For Model:  
 JVM1540DMBB  
 JNM1541DMBB  
 HVM1540DMBB  
 JVM1540SMSS  
 JVM1540LMCS  
 JNM1541SMSS  
 HVM1540LMCS  
 HVM1540SMSS

WTT027



WTT028

34960A

WTT028

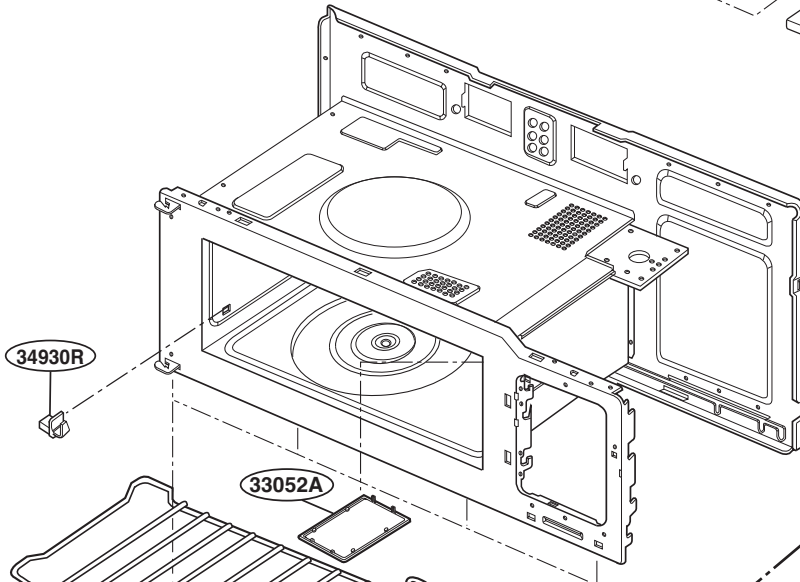
34021A

WTT029

WTT027

34810Q

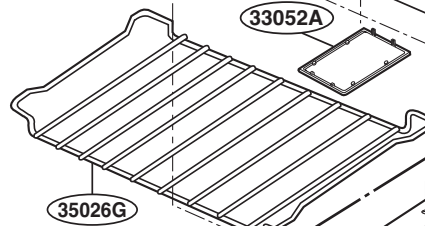
33112U



34930R

33052A

63303A



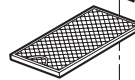
35026G

368771

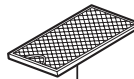
33550L

56804A

63302A



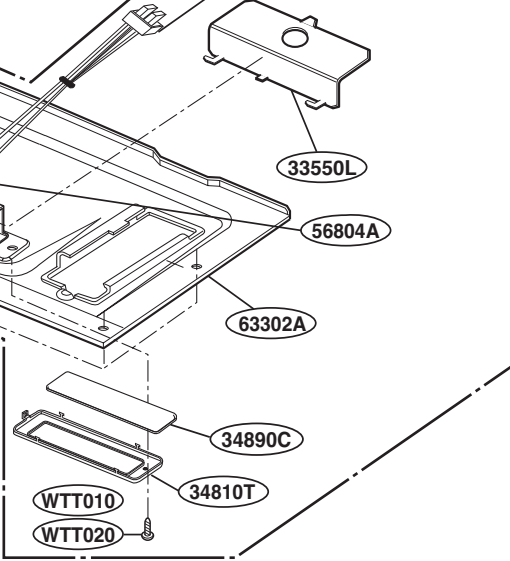
36912C



35230A

WTT010

WTT047



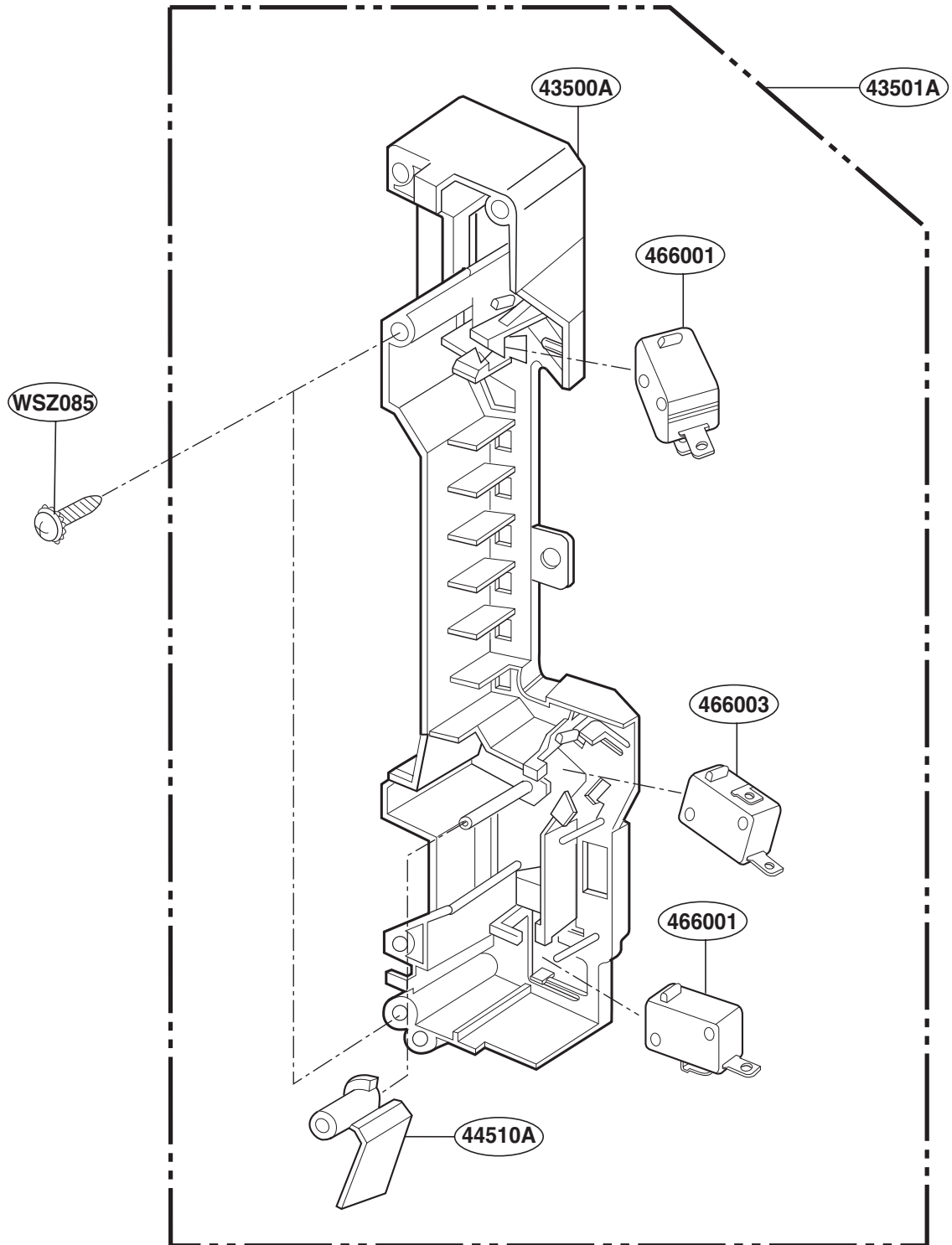
WTT010

WTT020

34890C

34810T

# LATCH BOARD PARTS



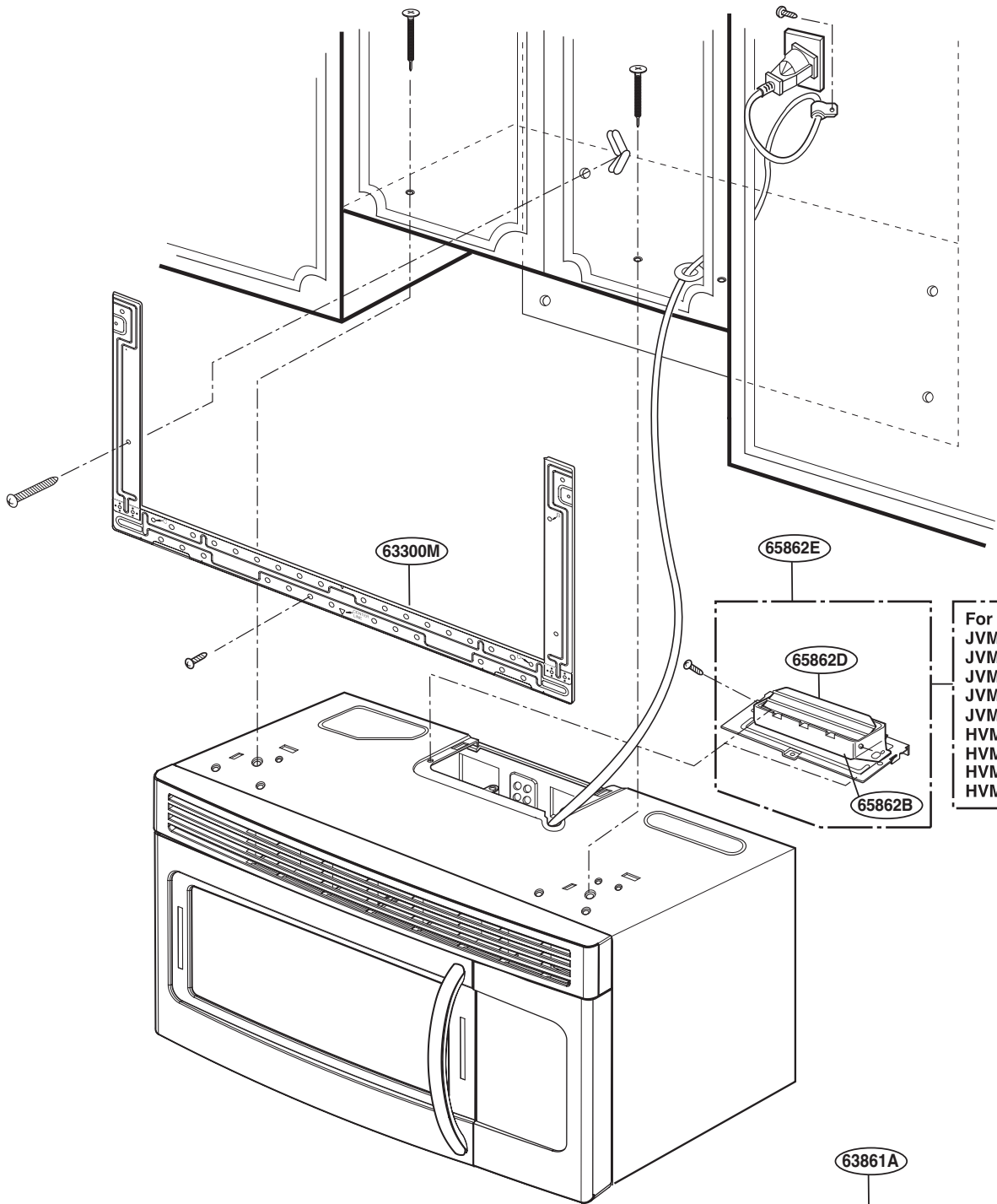
# INTERIOR PARTS (I)



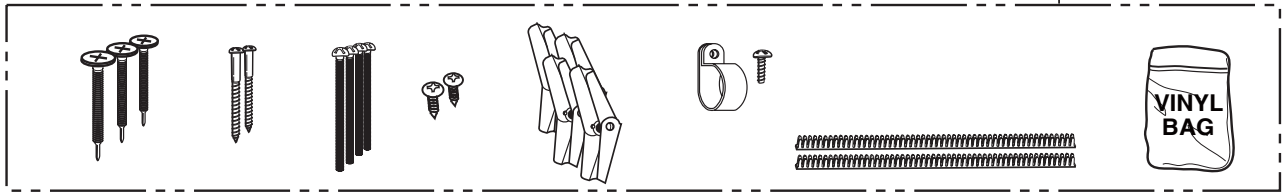
# INTERIOR PARTS (II)



# INSTALLATION PARTS



For Model :  
 JVM1540MWW  
 JVM1540DMBB  
 JVM1540DMCC  
 JVM1540SMSS  
 JVM1540LMCS  
 HVM1540MWW  
 HVM1540DMBB  
 HVM1540LMCS  
 HVM1540SMSS



- OWNERS MANUAL
- \*01
- INSTALLATION MANUAL
- \*04
- COOKING GUIDE LABEL
- \*05
- TEMPLATE
- \*06