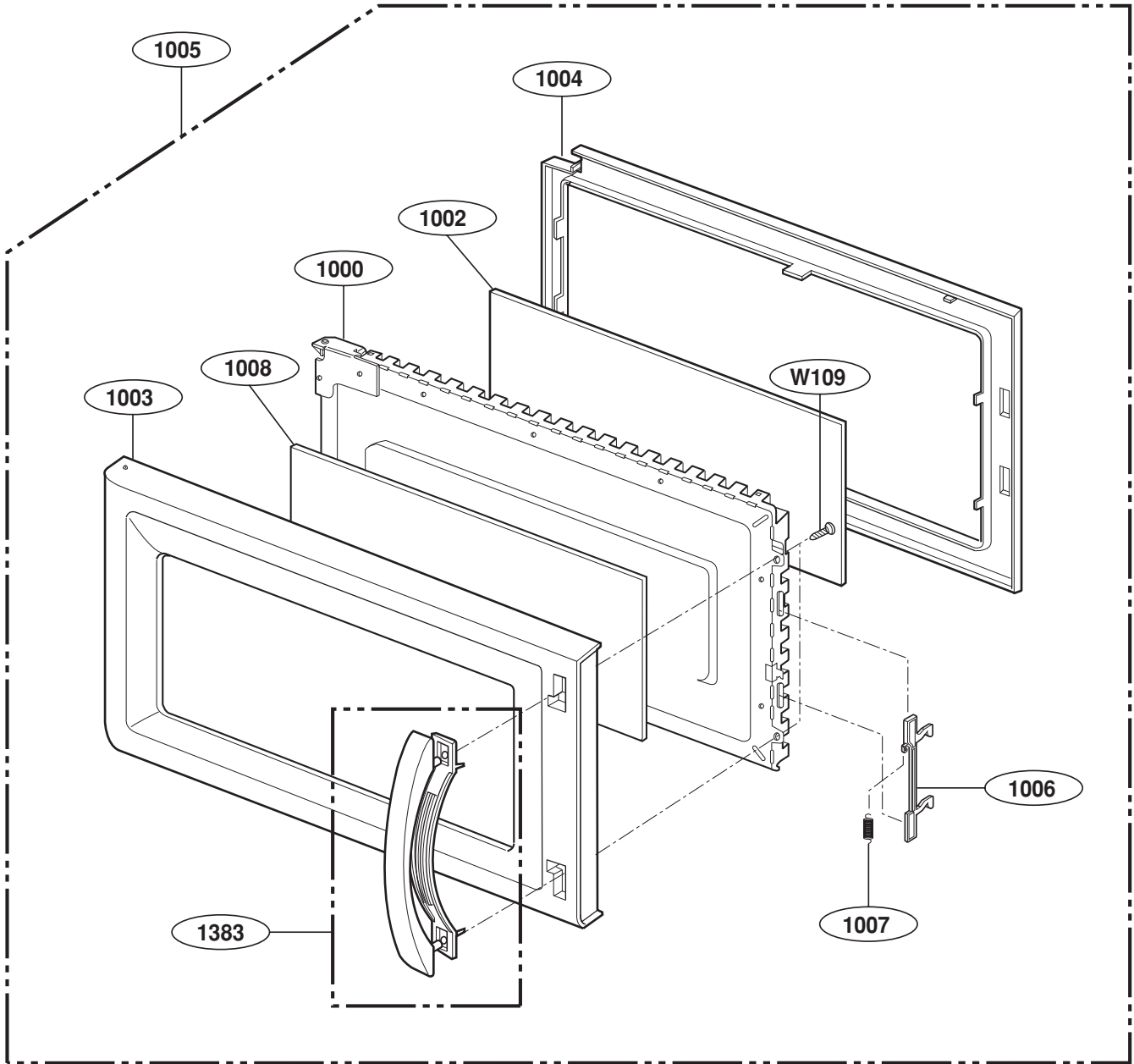


# EXPLODED VIEW

JVM1630

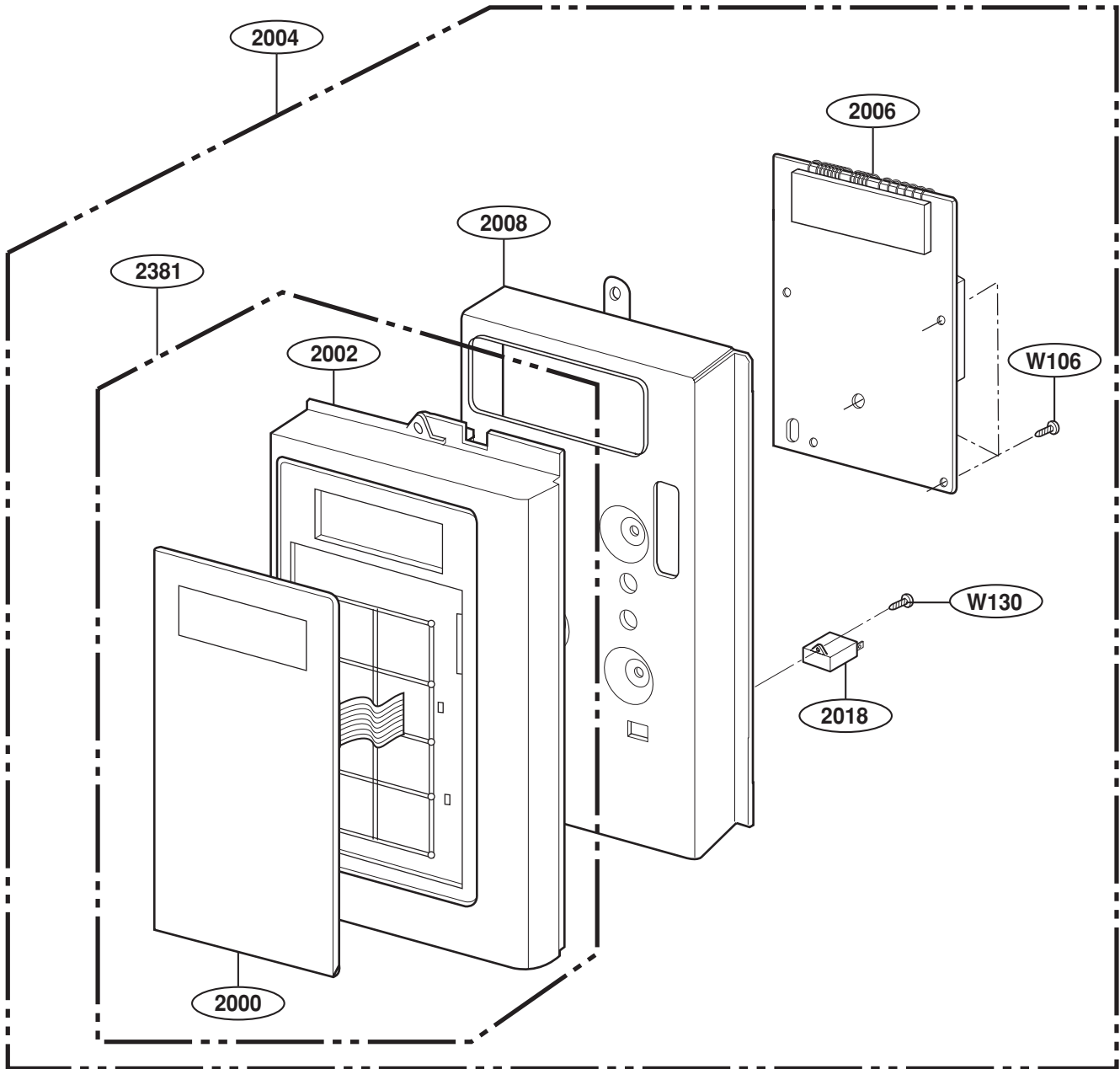
## DOOR PARTS



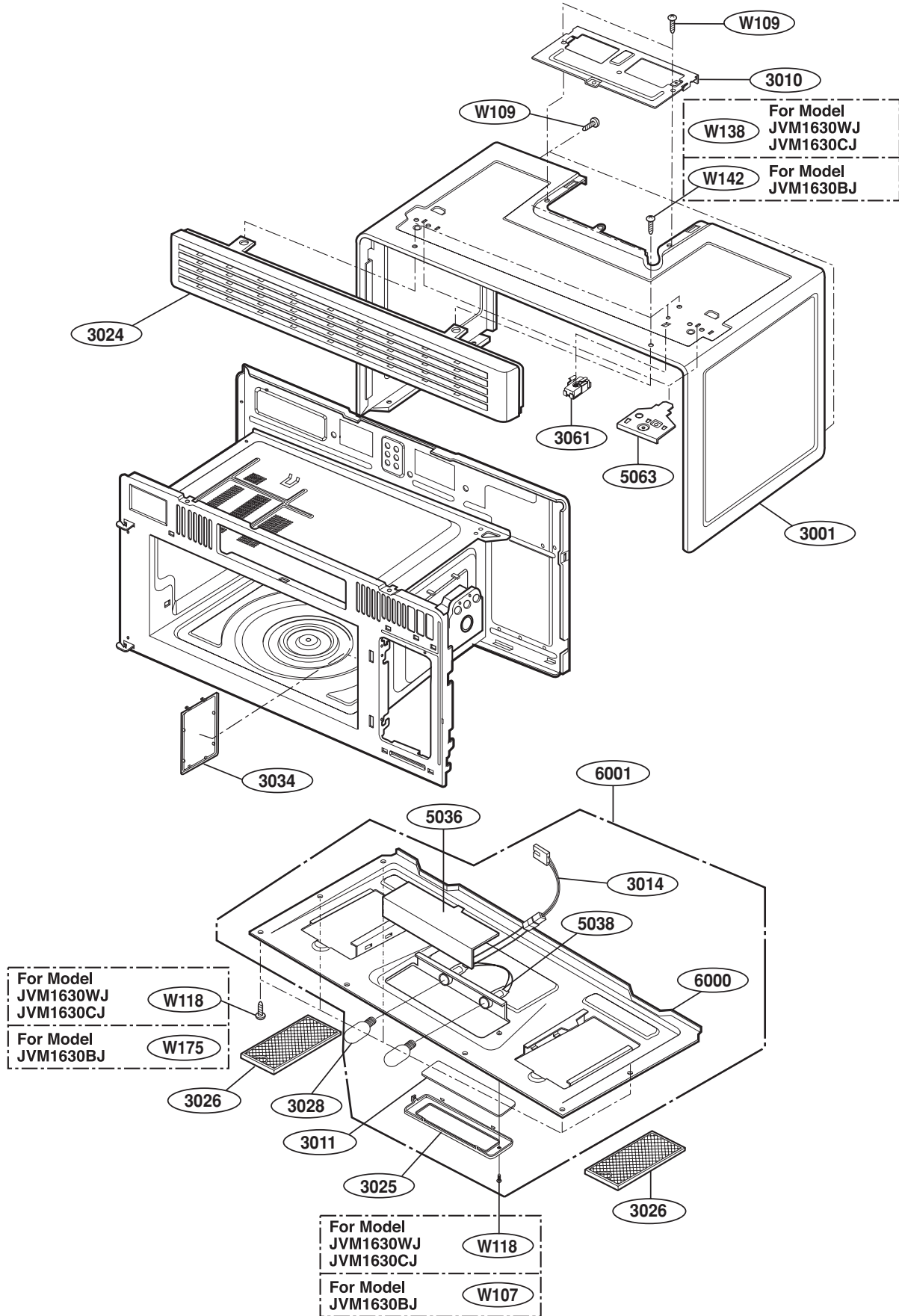
HARDWARE BAG

P/No: 3828W5S5157

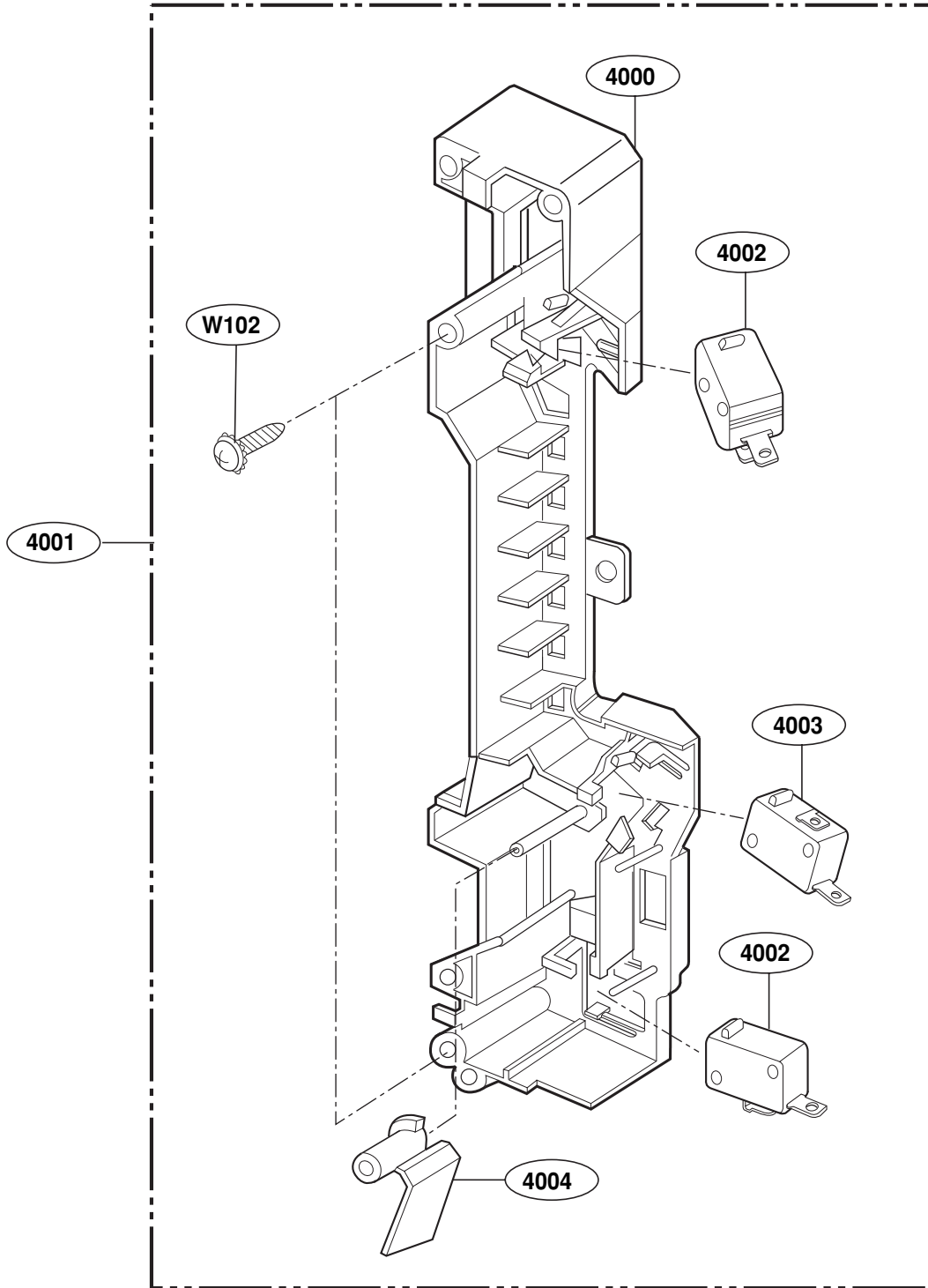
# CONTROLLER PARTS



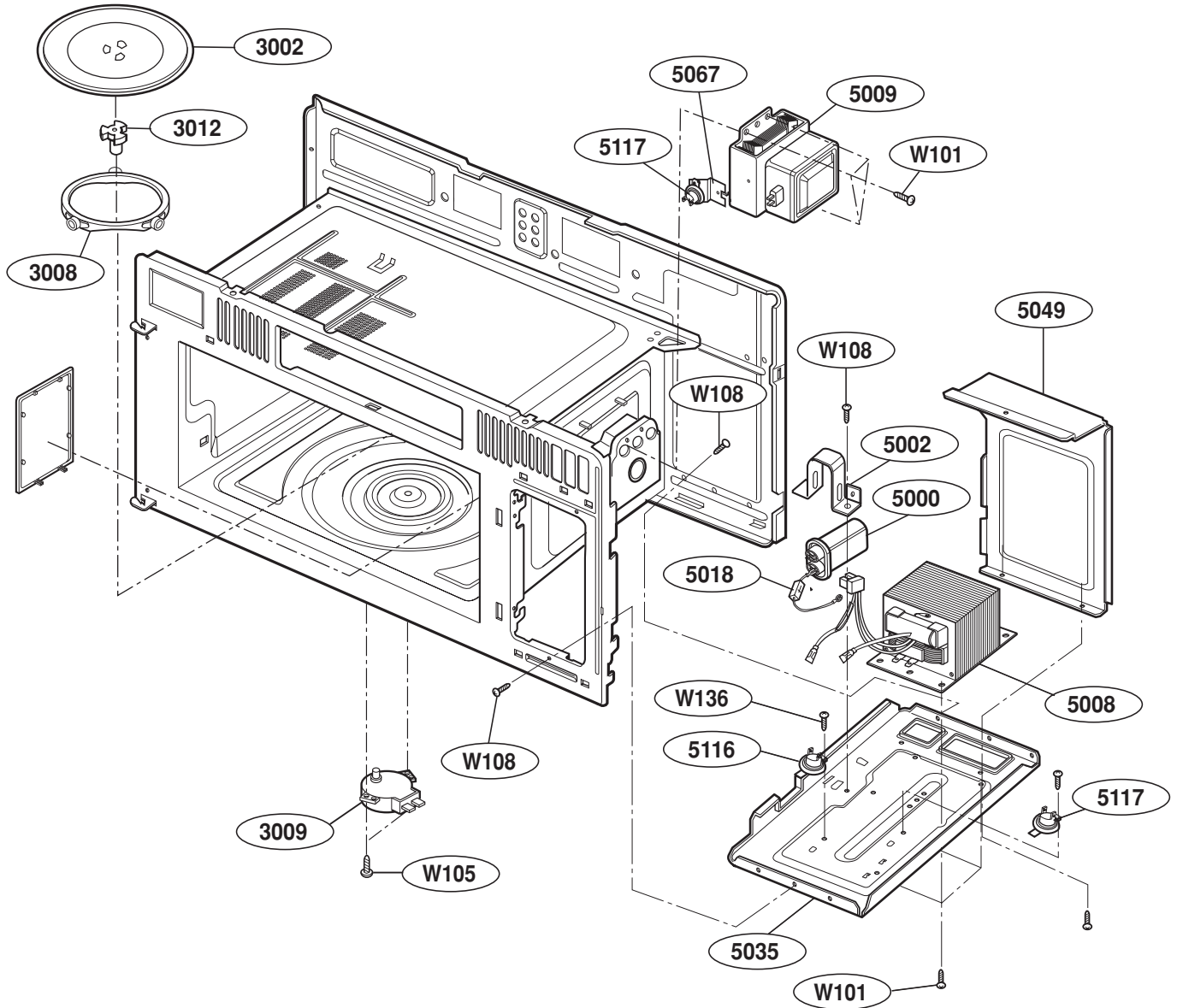
# OVEN CAVITY PARTS



# LATCH BOARD PARTS



# INTERIOR PARTS (I)





# INSTALLATION PARTS

