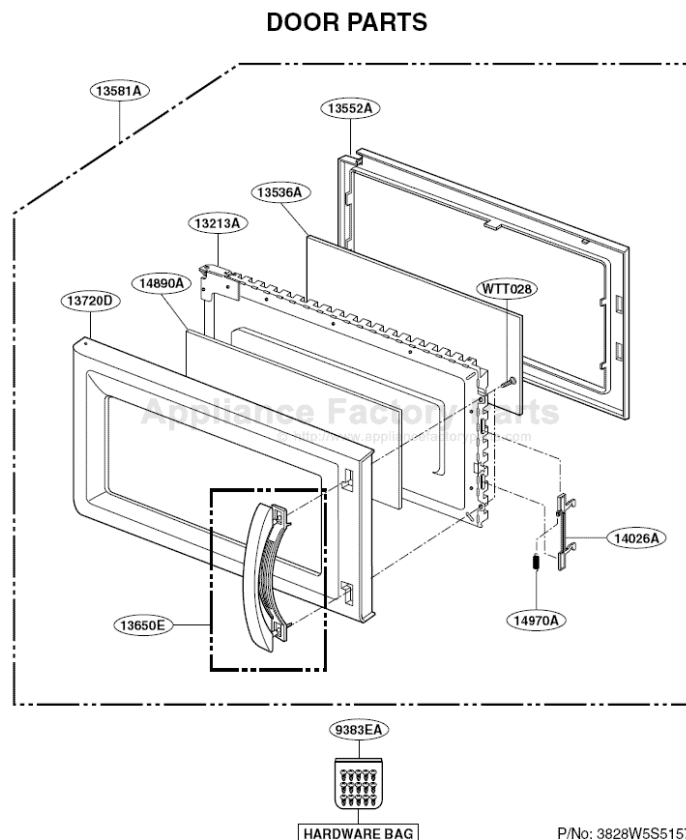


This Owner's Manual is provided and hosted by [Appliance Factory Parts](#).



GE JVM1630CH003 Owner's Manual

[Shop genuine replacement parts for GE
JVM1630CH003](#)



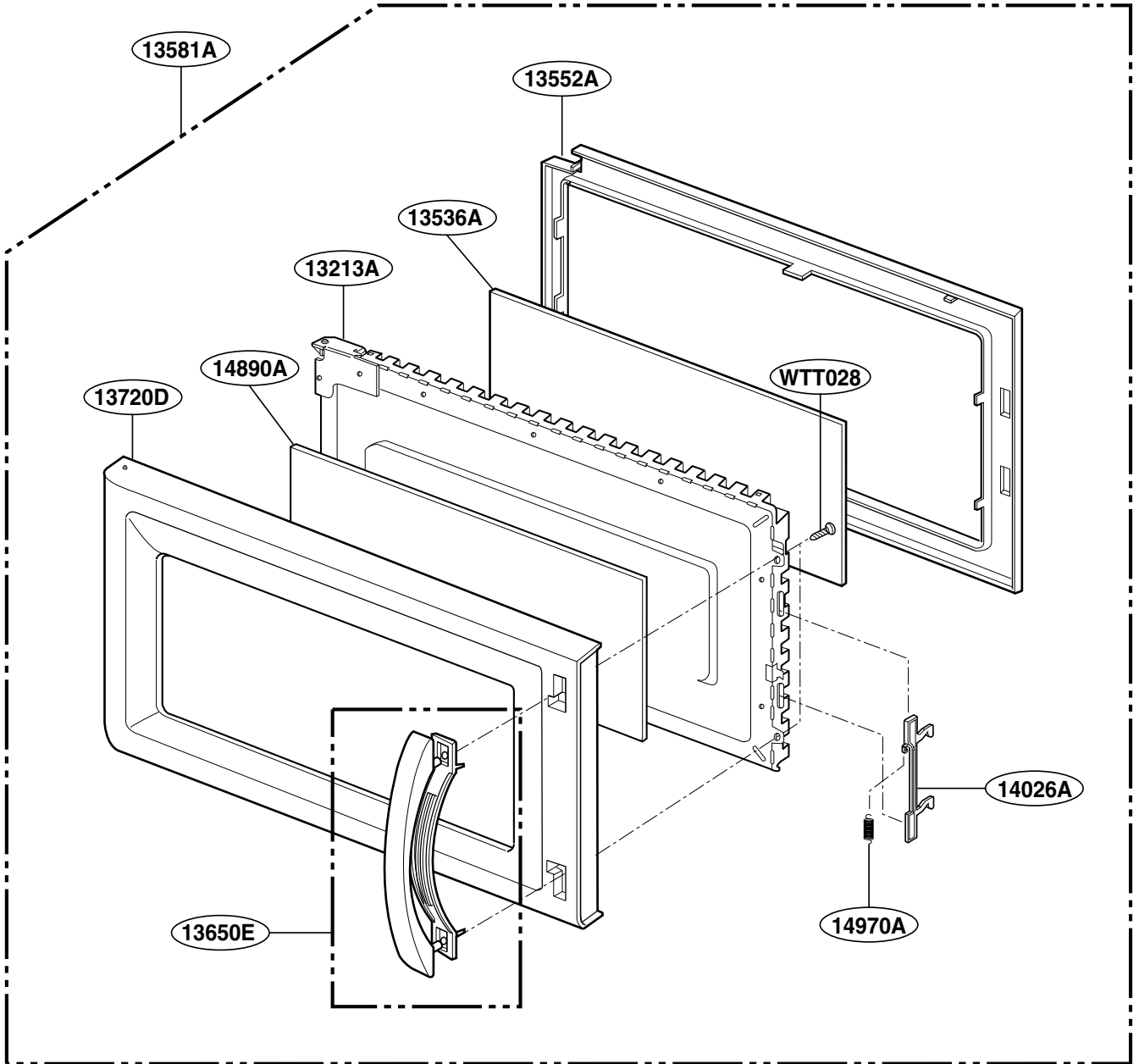
[Find Your GE Microwave Parts - Select From 3055 Models](#)

----- Manual continues below -----

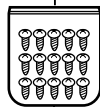
EXPLODED VIEW

JVM1630

DOOR PARTS



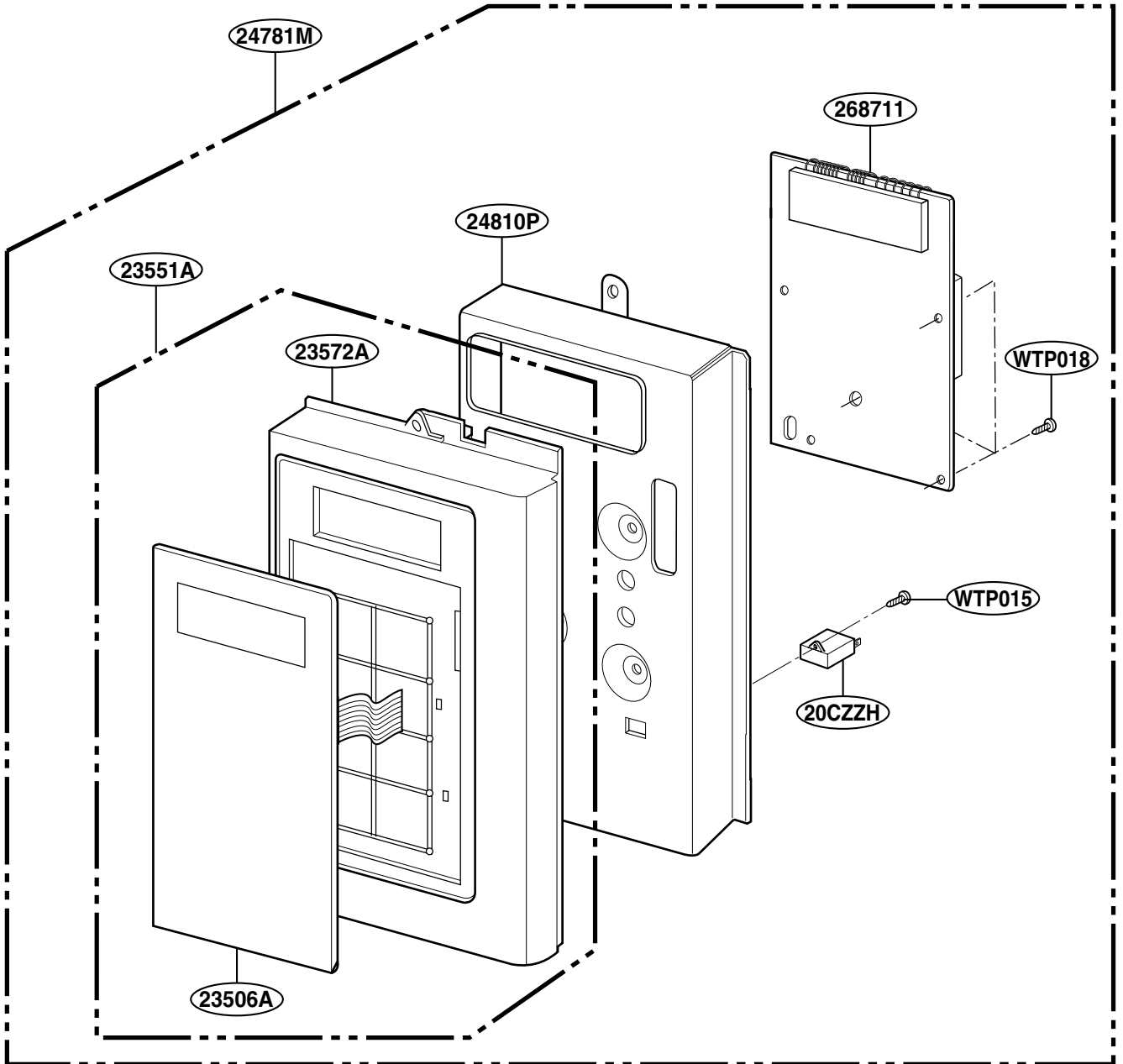
9383EA



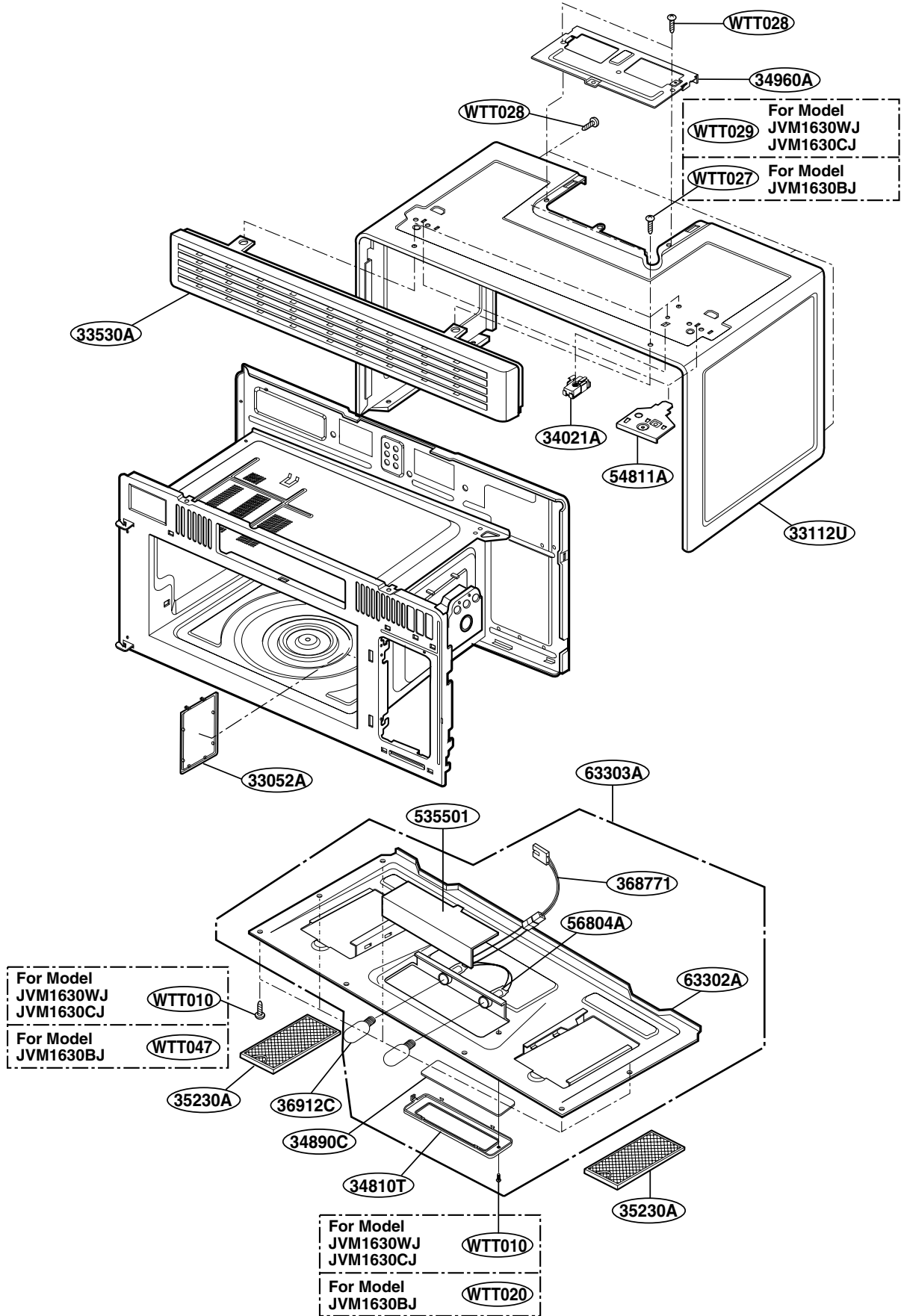
HARDWARE BAG

P/No: 3828W5S5157

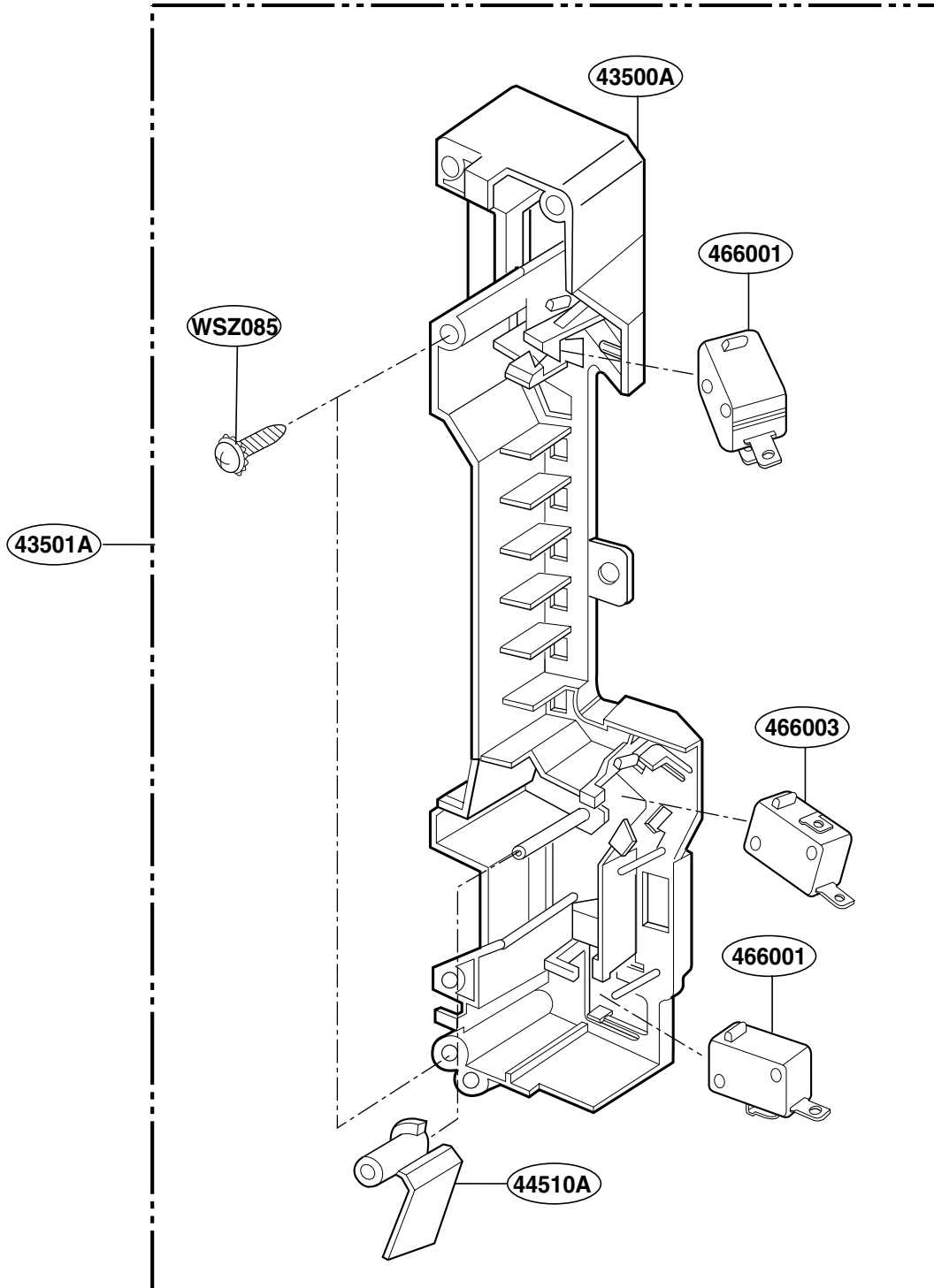
CONTROLLER PARTS



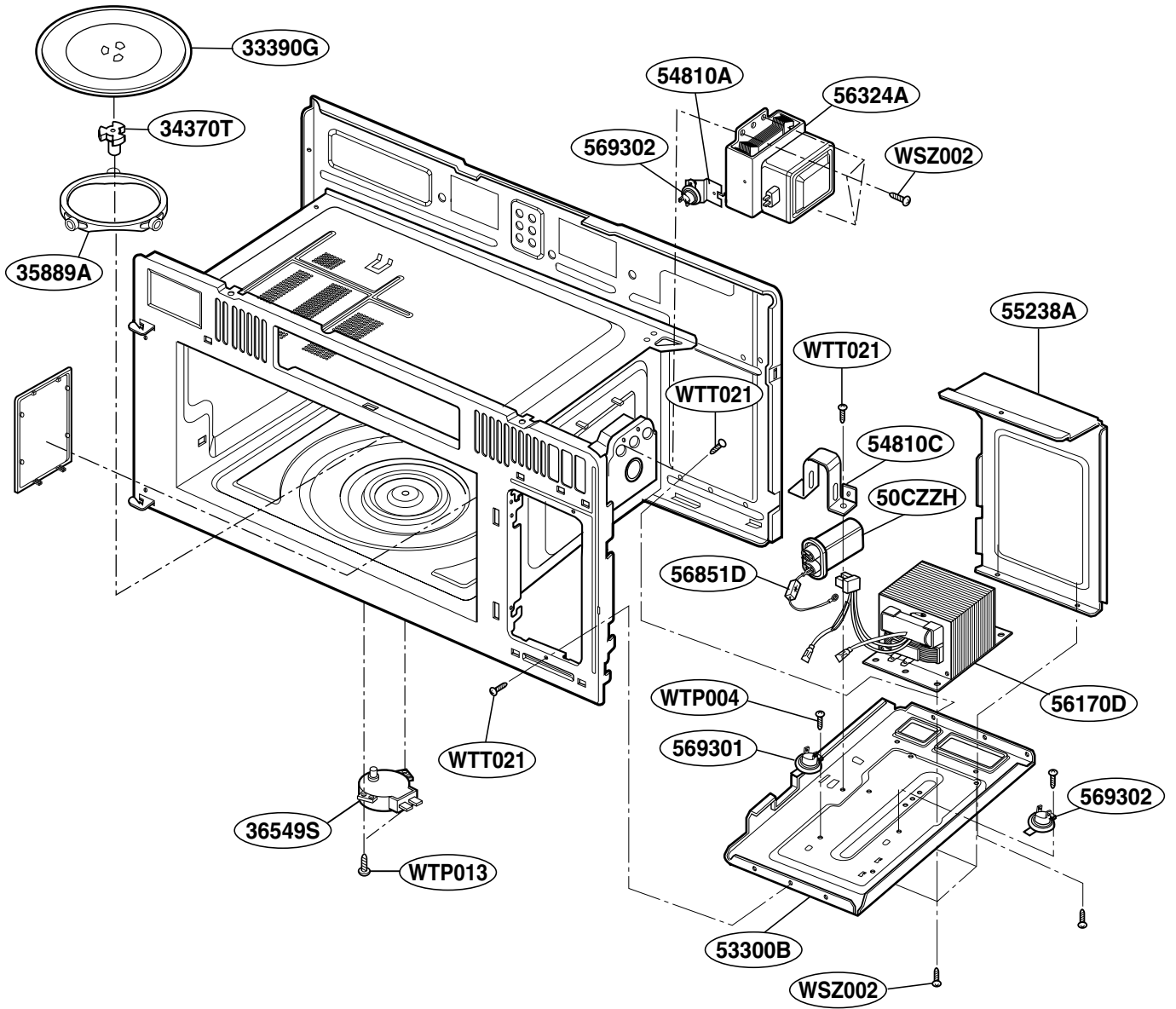
OVEN CAVITY PARTS



LATCH BOARD PARTS



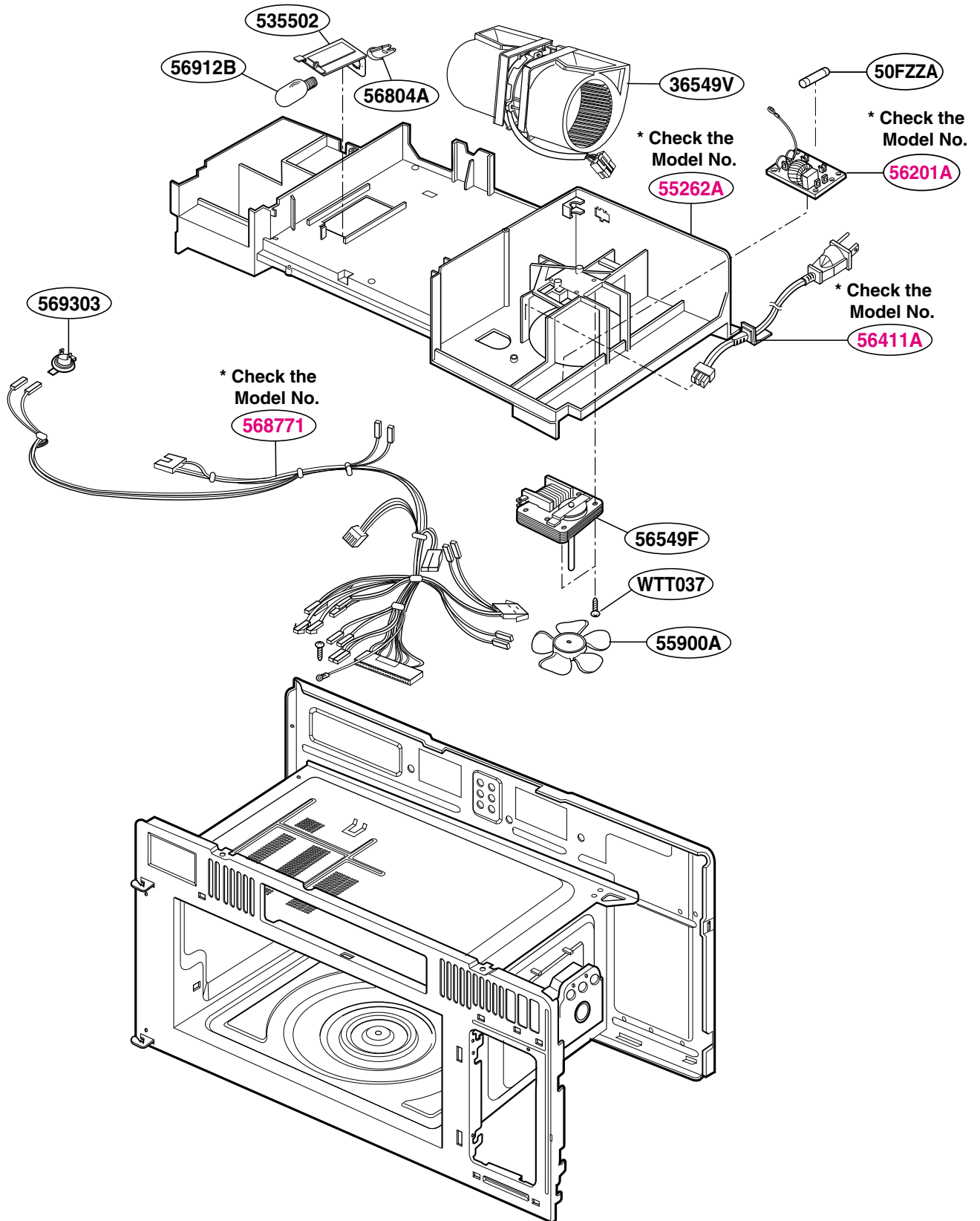
INTERIOR PARTS (I)



INTERIOR PARTS (II - II)

Model: JVM1630WJ 03
JVM1630BJ 03
JVM1630CJ 03

Check the rating label of **Model** and order SVC parts according to the **Model No.**



INSTALLATION PARTS

