

This Owner's Manual is provided and hosted by [Appliance Factory Parts](#).



# GE JVM1631BH002 Owner's Manual

[Shop genuine replacement parts for GE  
JVM1631BH002](#)



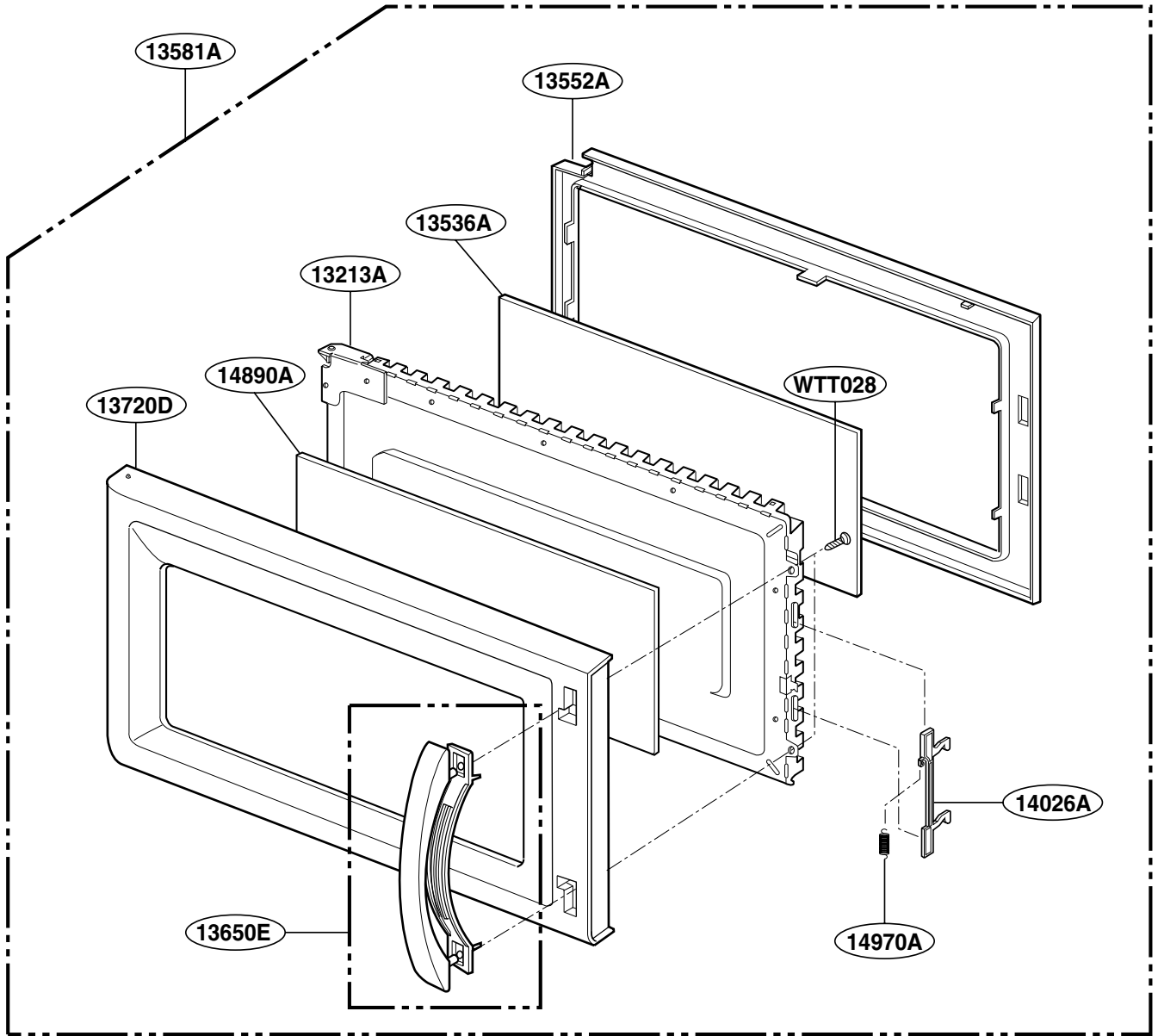
[Find Your GE Microwave Parts - Select From 3055 Models](#)

----- Manual continues below -----

# EXPLODED VIEW

JVM1631

## DOOR PARTS

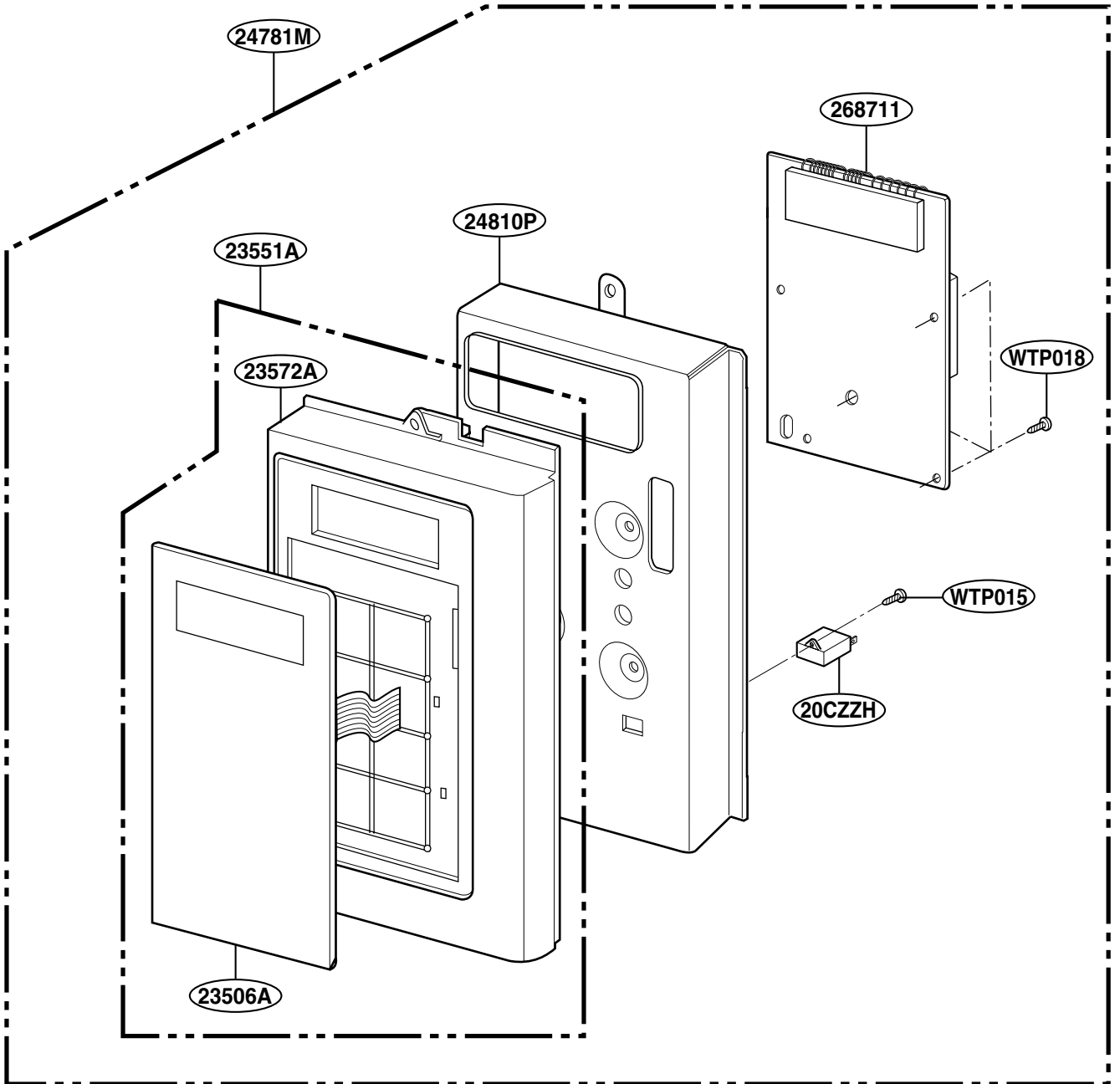


9383EA

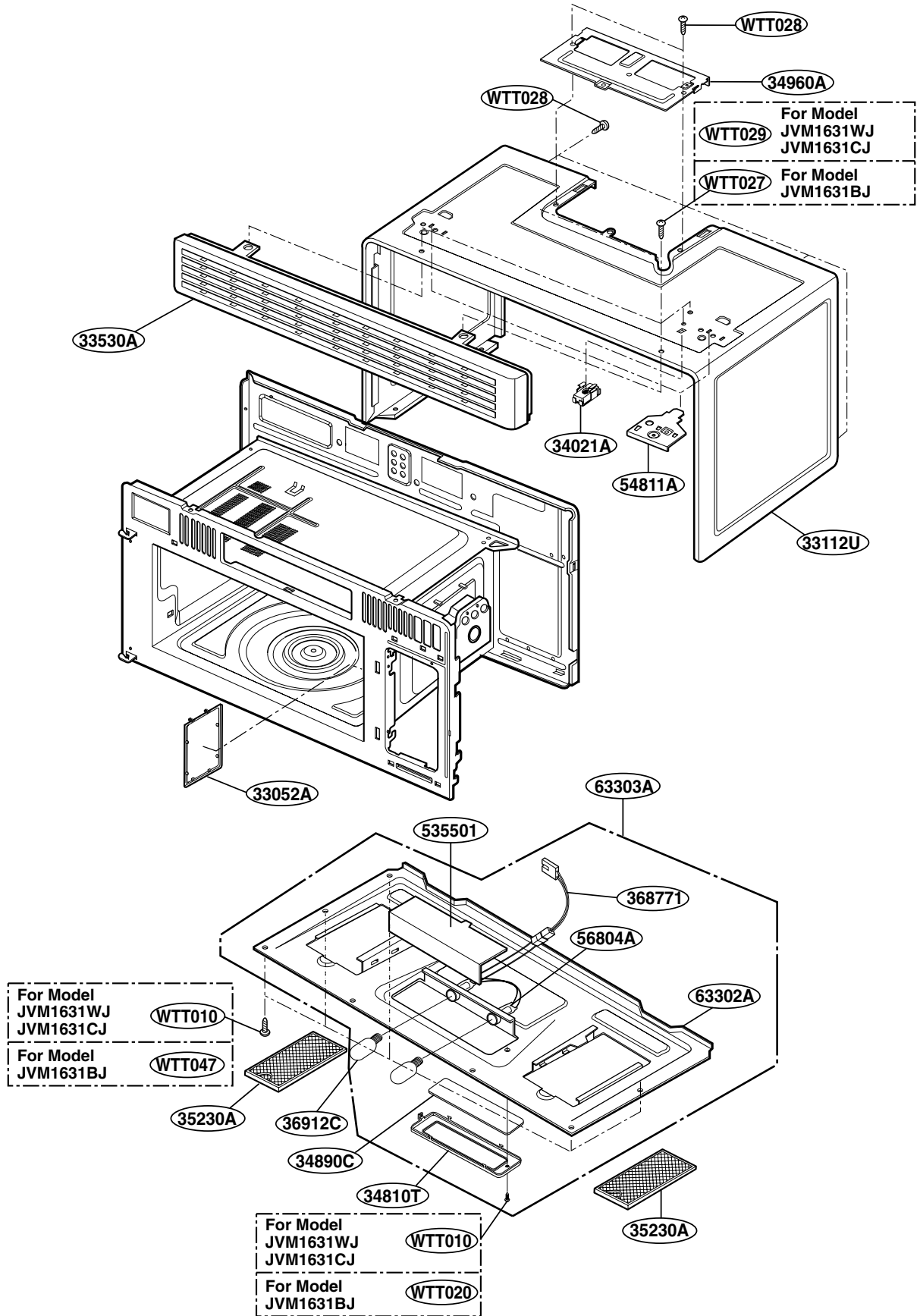
HARDWARE BAG

P/No: 3828W5S5154

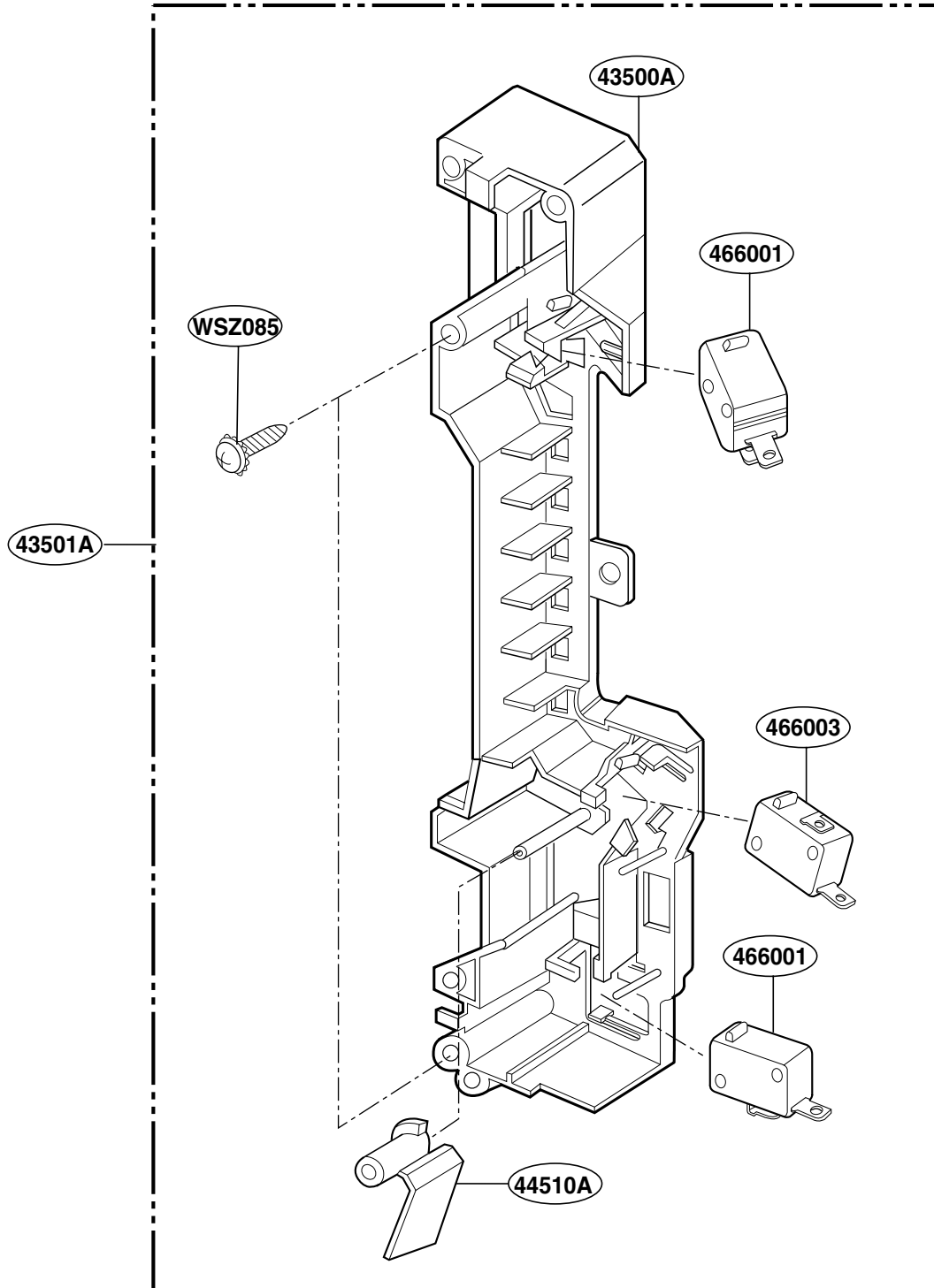
# CONTROLLER PARTS



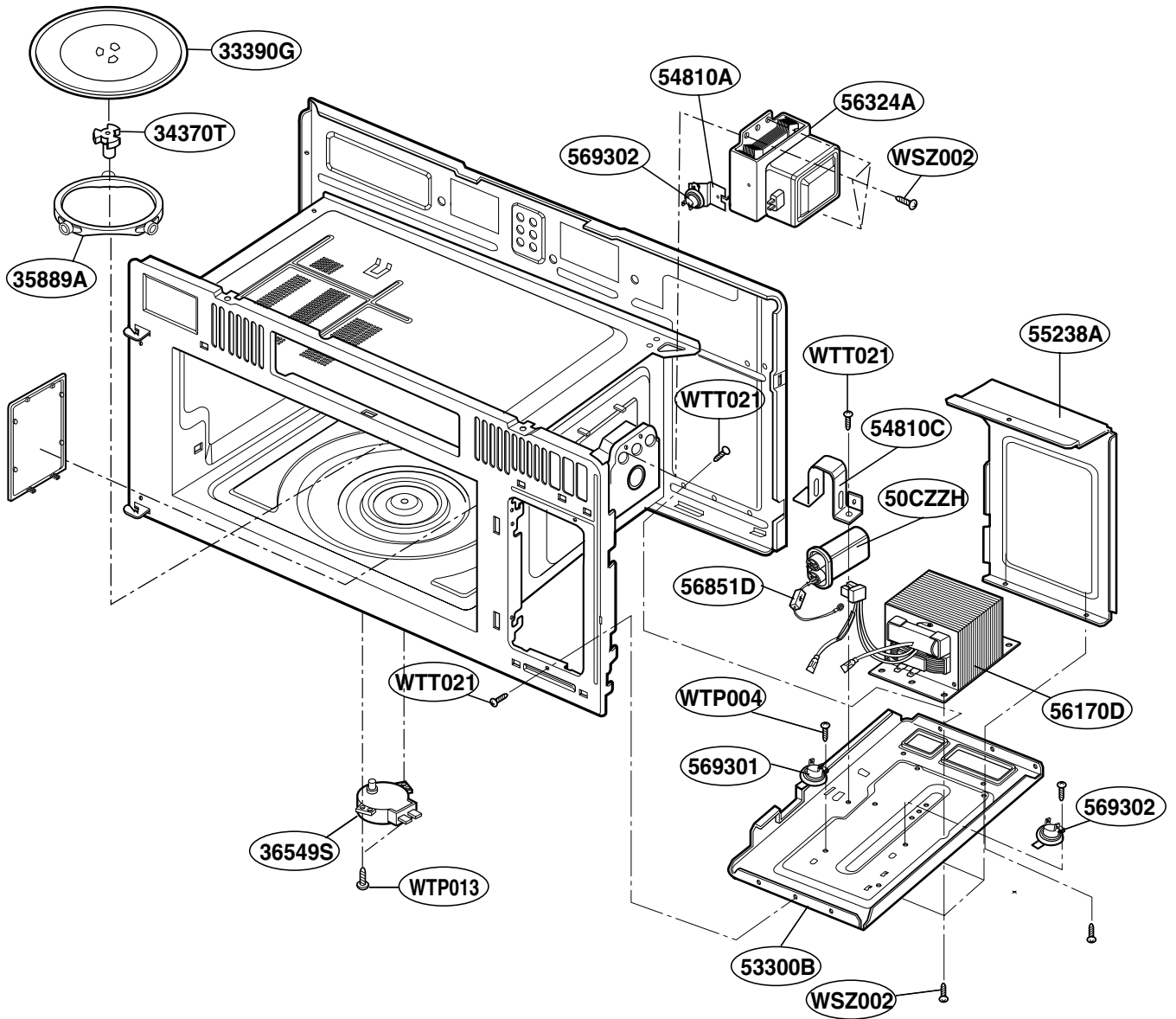
# OVEN CAVITY PARTS



# LATCH BOARD PARTS



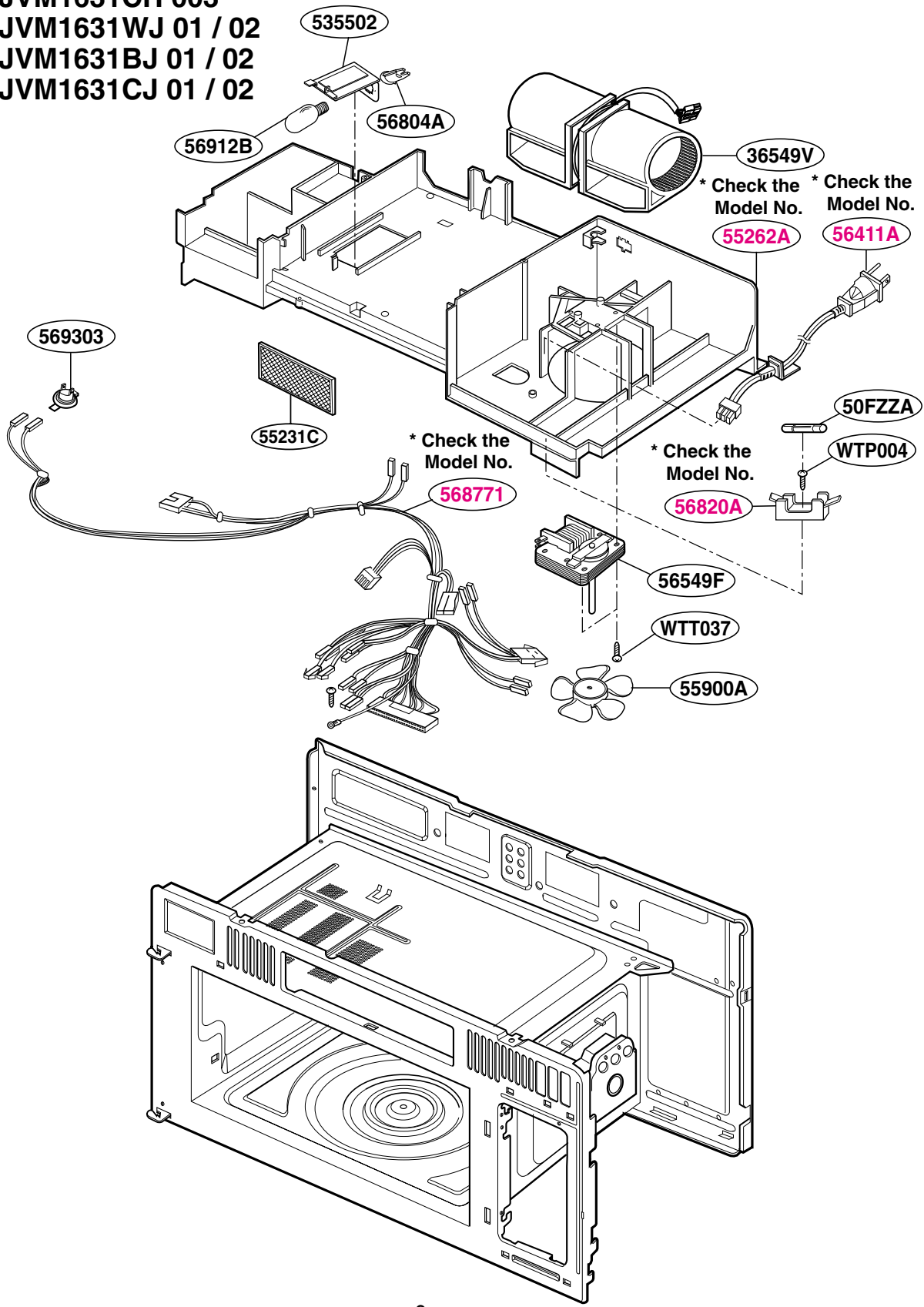
# INTERIOR PARTS (I)



# INTERIOR PARTS (II - I)

Model: JVM1631WH 003  
JVM1631BH 003  
JVM1631CH 003  
JVM1631WJ 01 / 02  
JVM1631BJ 01 / 02  
JVM1631CJ 01 / 02

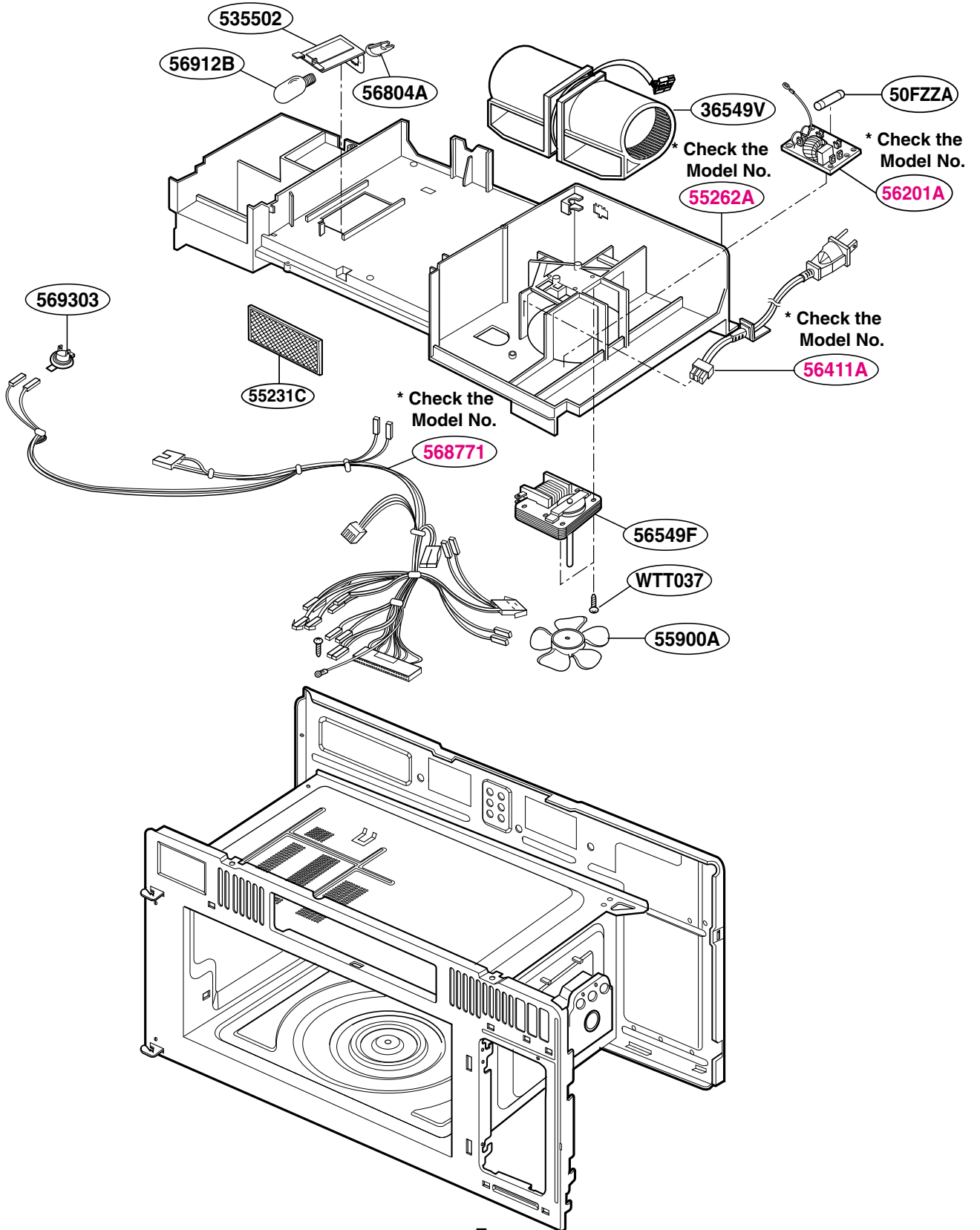
Check the rating label of **Model** and order SVC parts according to the **Model No.**



# INTERIOR PARTS (II - II)

Model: JVM1631WJ 03  
JVM1631BJ 03  
JVM1631CJ 03

Check the rating label of **Model** and order SVC parts according to the **Model No.**



# INSTALLATION PARTS

