

This Owner's Manual is provided and hosted by [Appliance Factory Parts](#).



# GE JVM1640BH001 Owner's Manual

[Shop genuine replacement parts for GE  
JVM1640BH001](#)



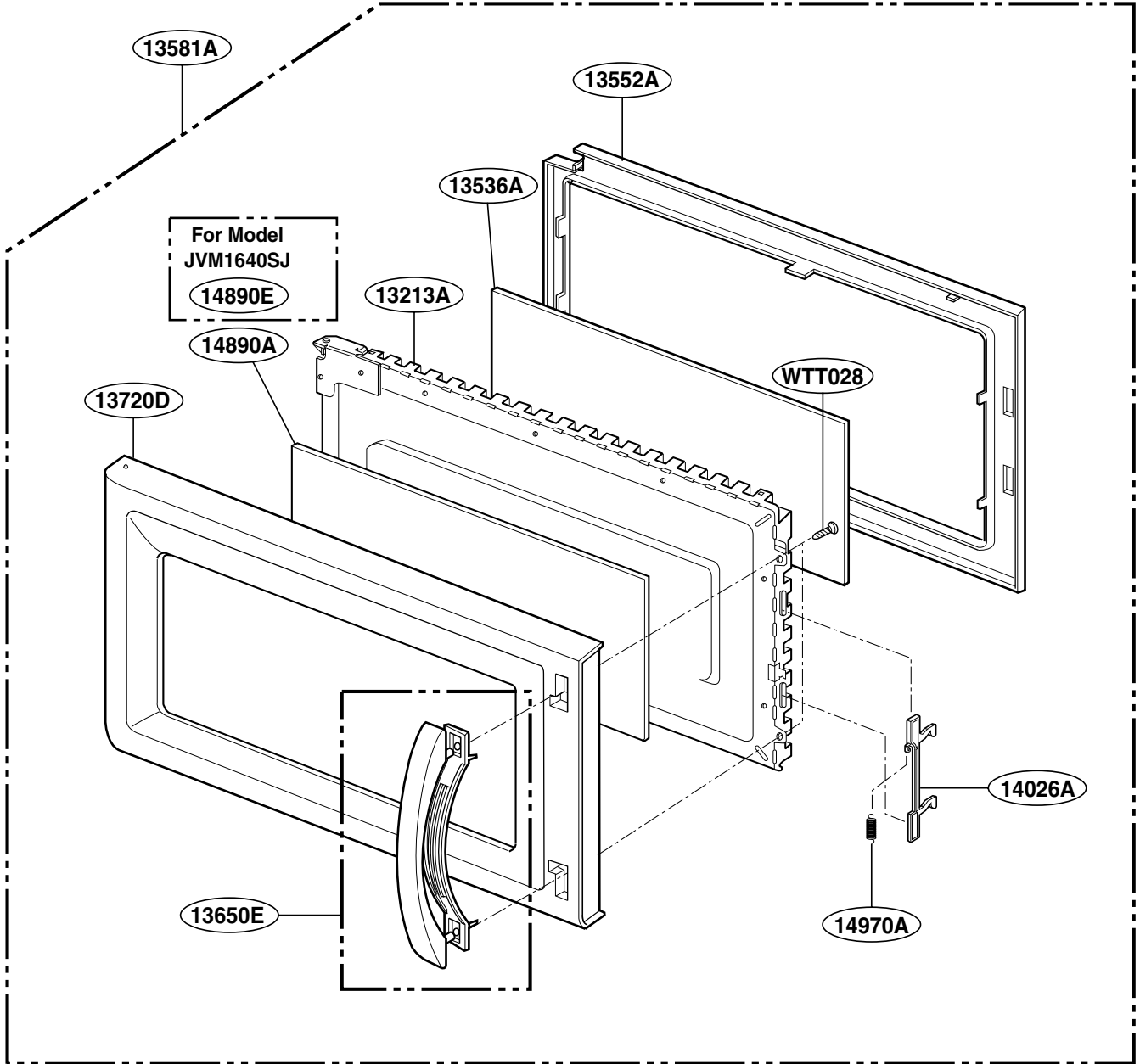
[Find Your GE Microwave Parts - Select From 3055 Models](#)

----- Manual continues below -----

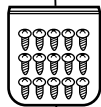
# EXPLODED VIEW

JVM1640

## DOOR PARTS



9383EA

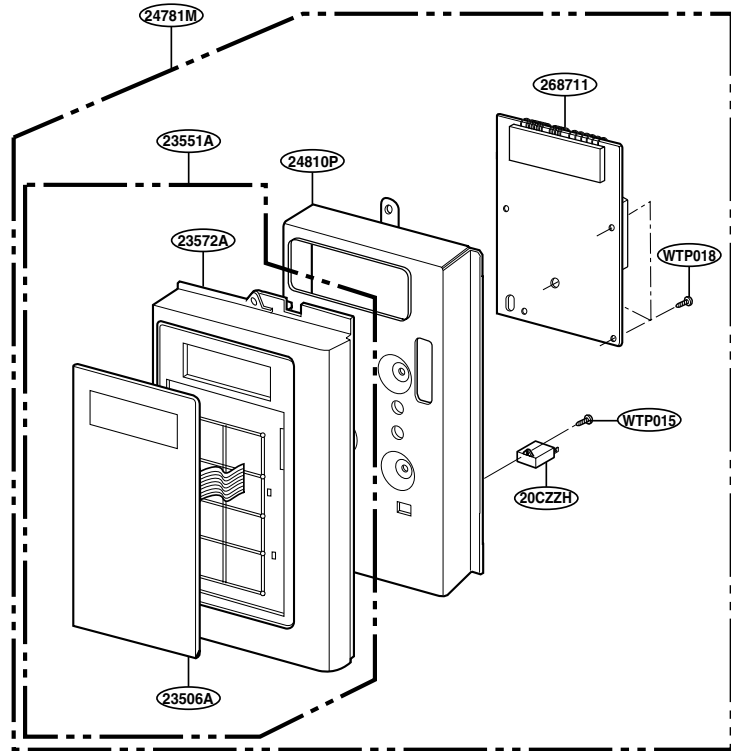


HARDWARE BAG

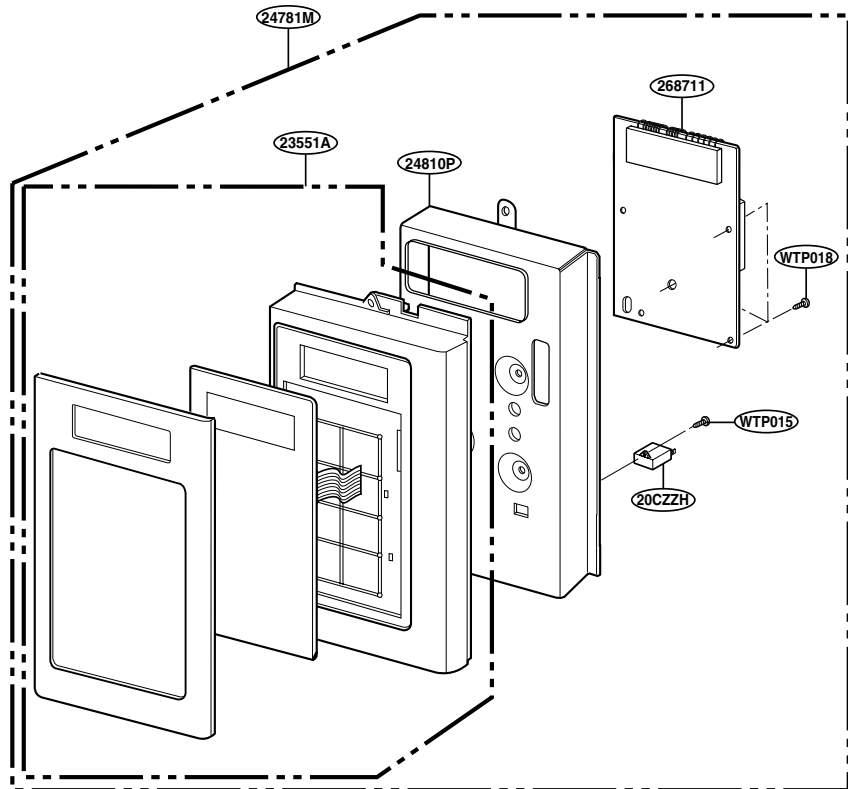
P/No: 3828W5S5153

# CONTROLLER PARTS

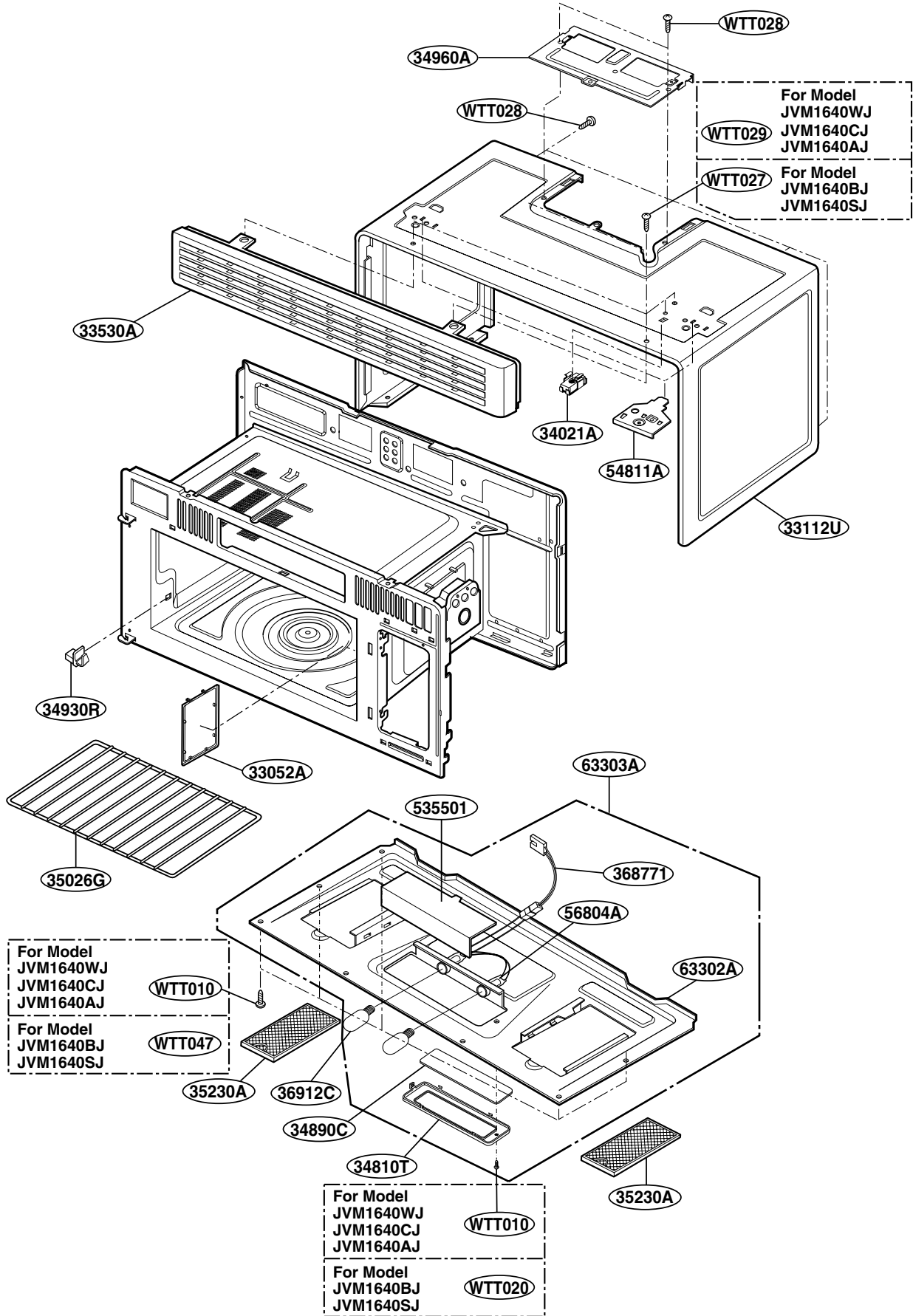
For Model: JVM1640BJ  
JVM1640WJ  
JVM1640CJ  
JVM1640AJ



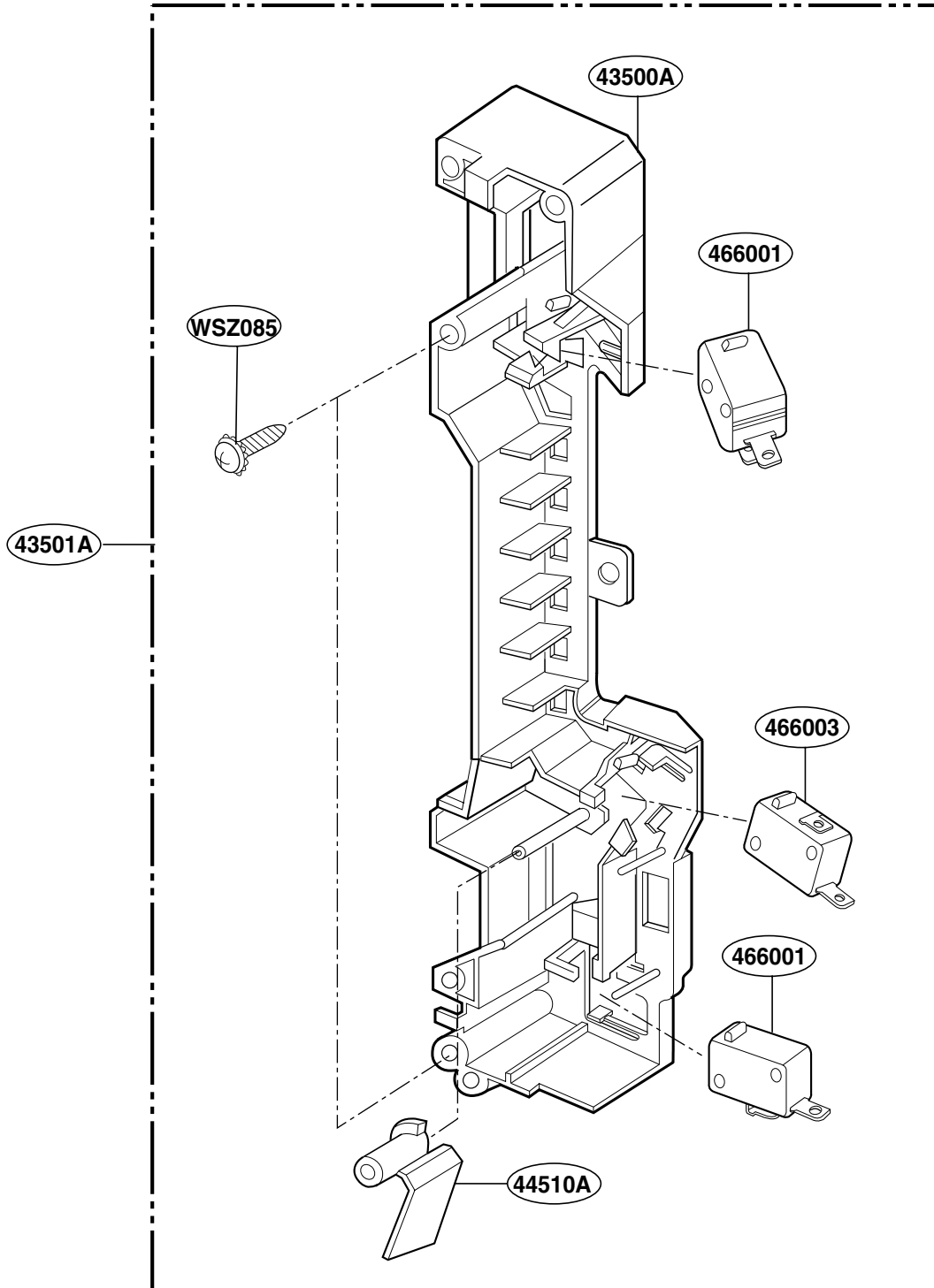
For Model: JVM1640SJ



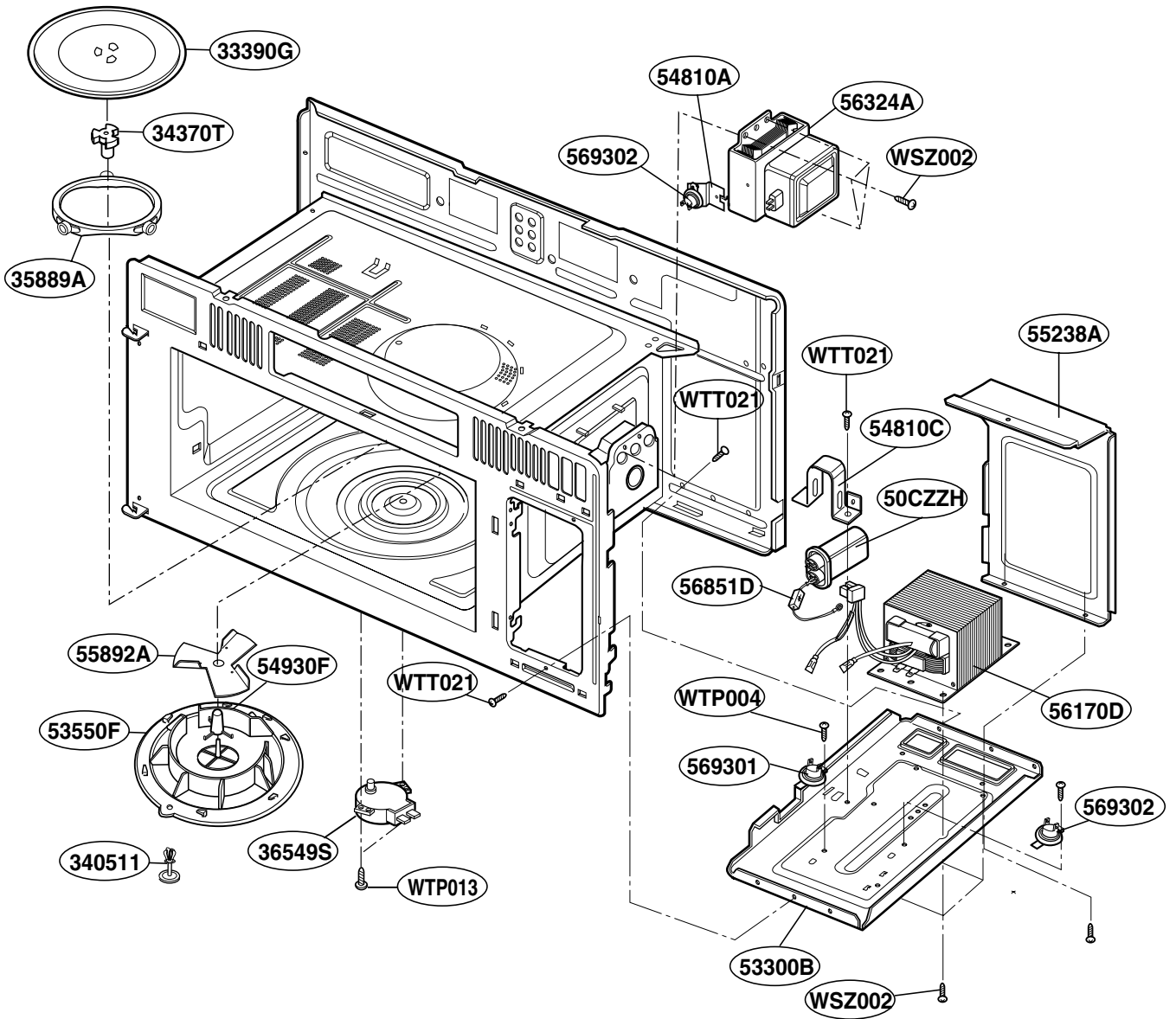
# OVEN CAVITY PARTS



# LATCH BOARD PARTS



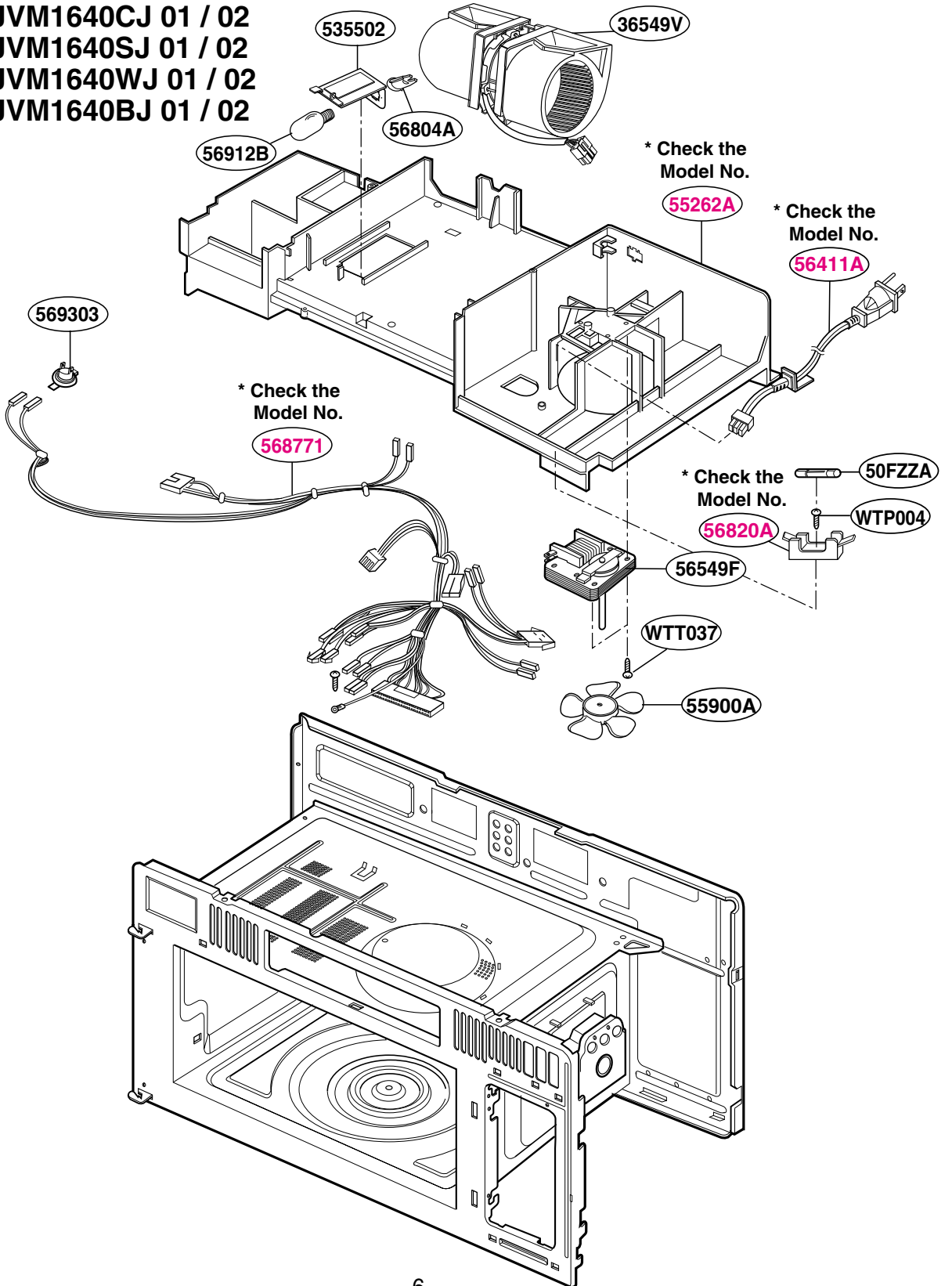
# INTERIOR PARTS (I)



# INTERIOR PARTS (II - I)

**Model: JVM1640WH 001**  
**JVM1640BH 001**  
**JVM1640AH 001**  
**JVM1640AJ 01**  
**JVM1640CJ 01 / 02**  
**JVM1640SJ 01 / 02**  
**JVM1640WJ 01 / 02**  
**JVM1640BJ 01 / 02**

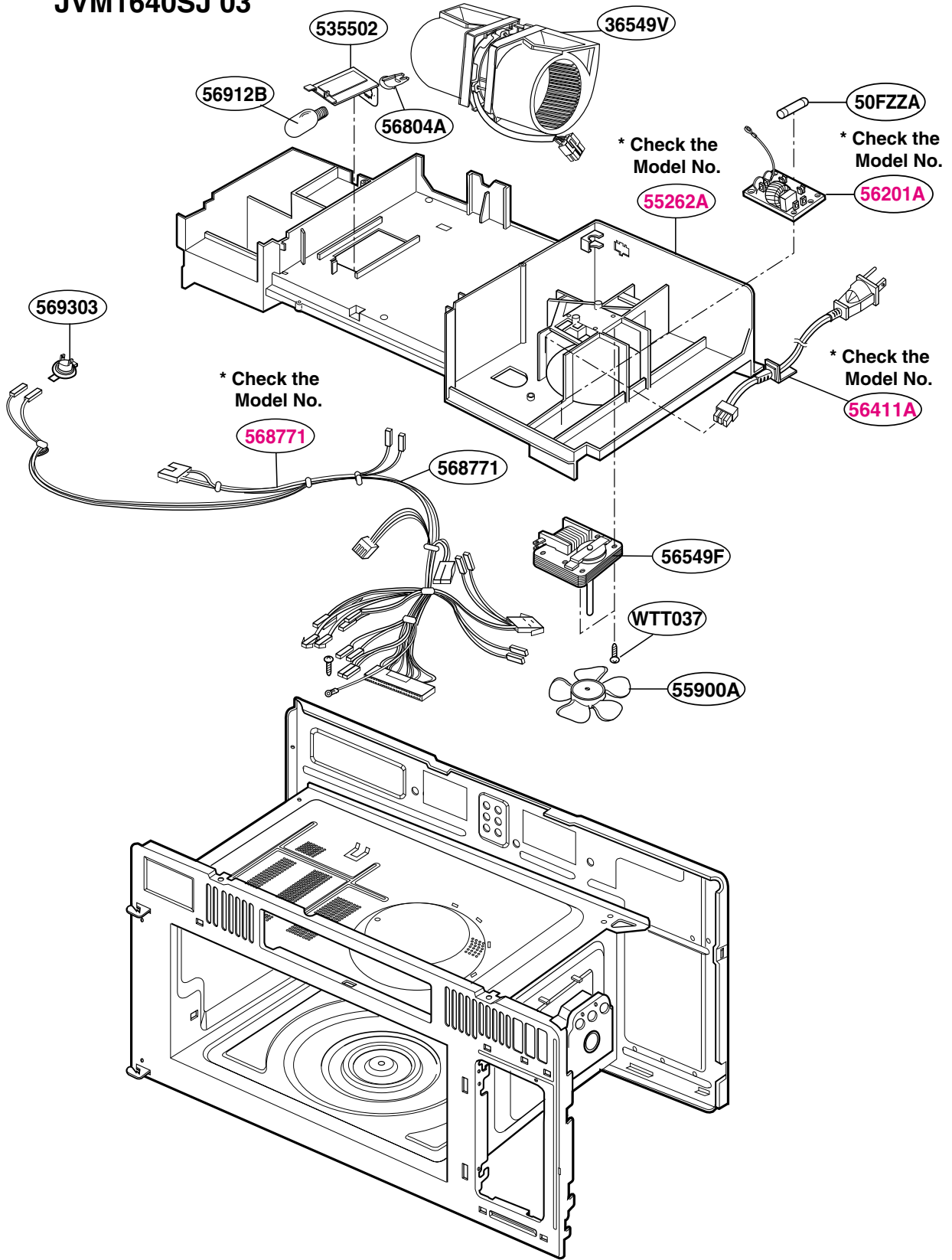
Check the rating label of **Model** and order SVC parts according to the **Model No.**



# INTERIOR PARTS (II - II)

Model: JVM1640WJ 03  
JVM1640BJ 03  
JVM1640CJ 03  
JVM1640SJ 03

Check the rating label of **Model** and order SVC parts according to the **Model No.**



# INSTALLATION PARTS

