

This Owner's Manual is provided and hosted by [Appliance Factory Parts](#).



GE JVM1665DN1BB Owner's Manual

[Shop genuine replacement parts for GE
JVM1665DN1BB](#)



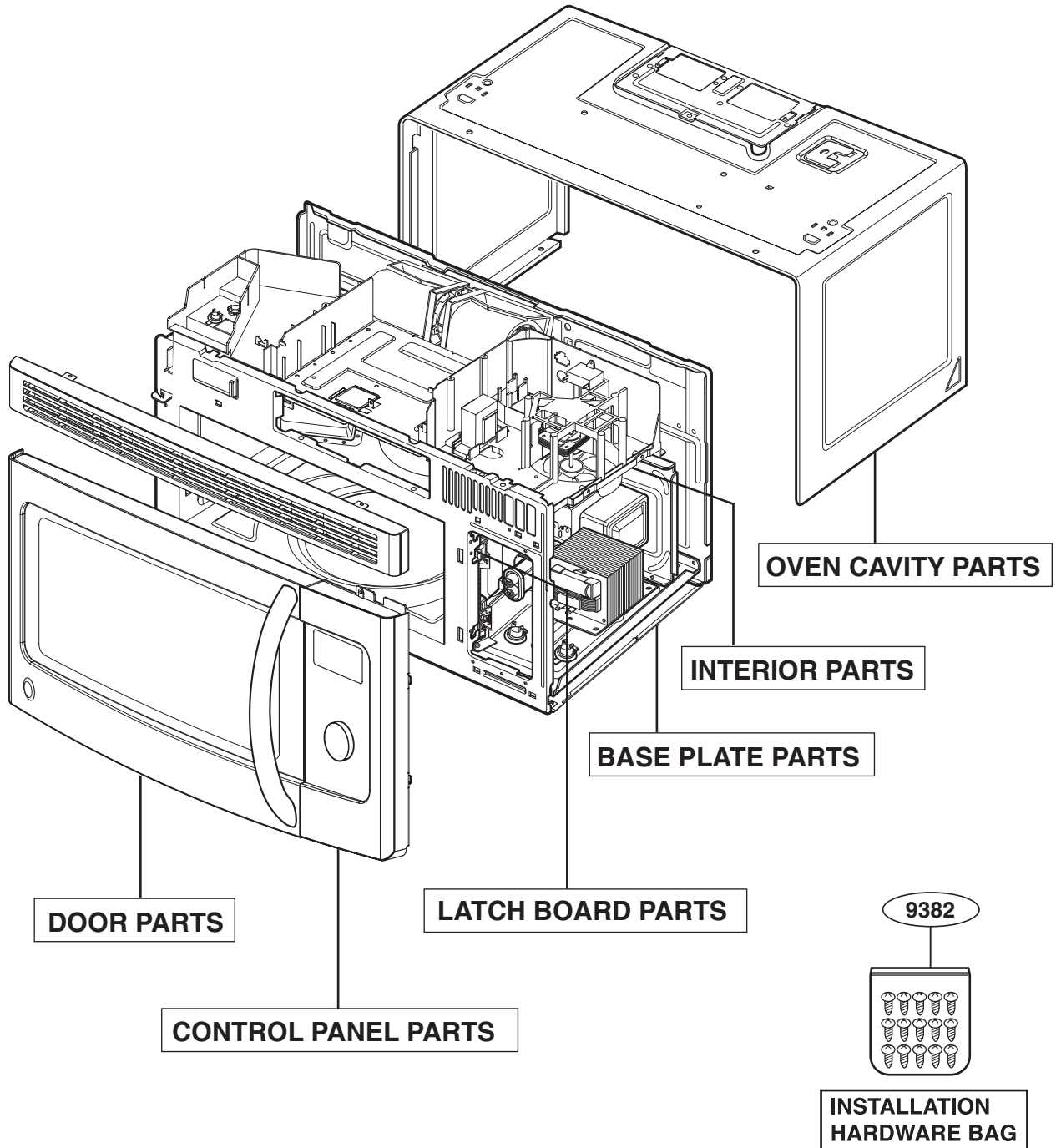
[Find Your GE Microwave Parts - Select From 3055 Models](#)

----- Manual continues below -----

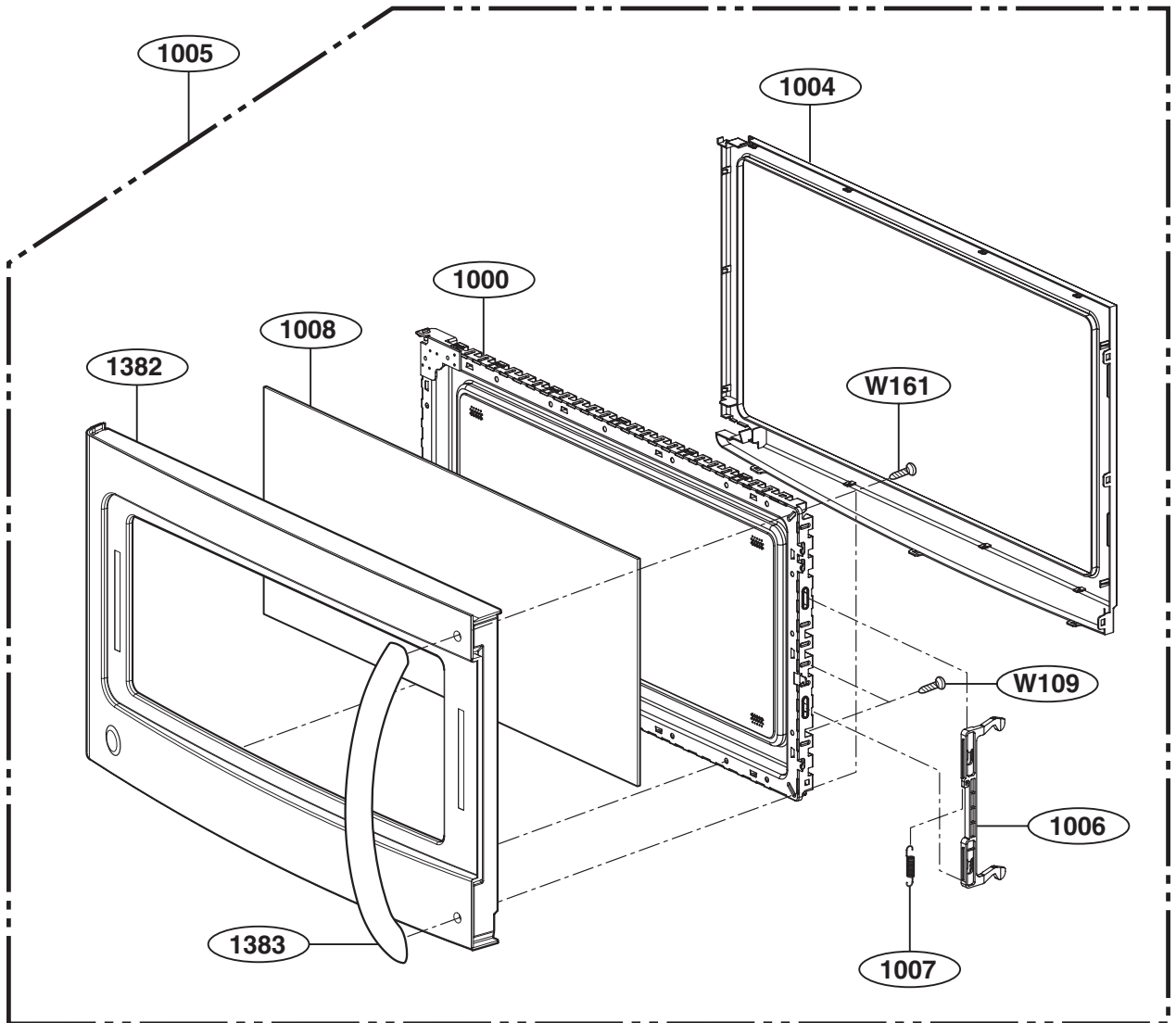
EXPLODED VIEW

INTRODUCTION

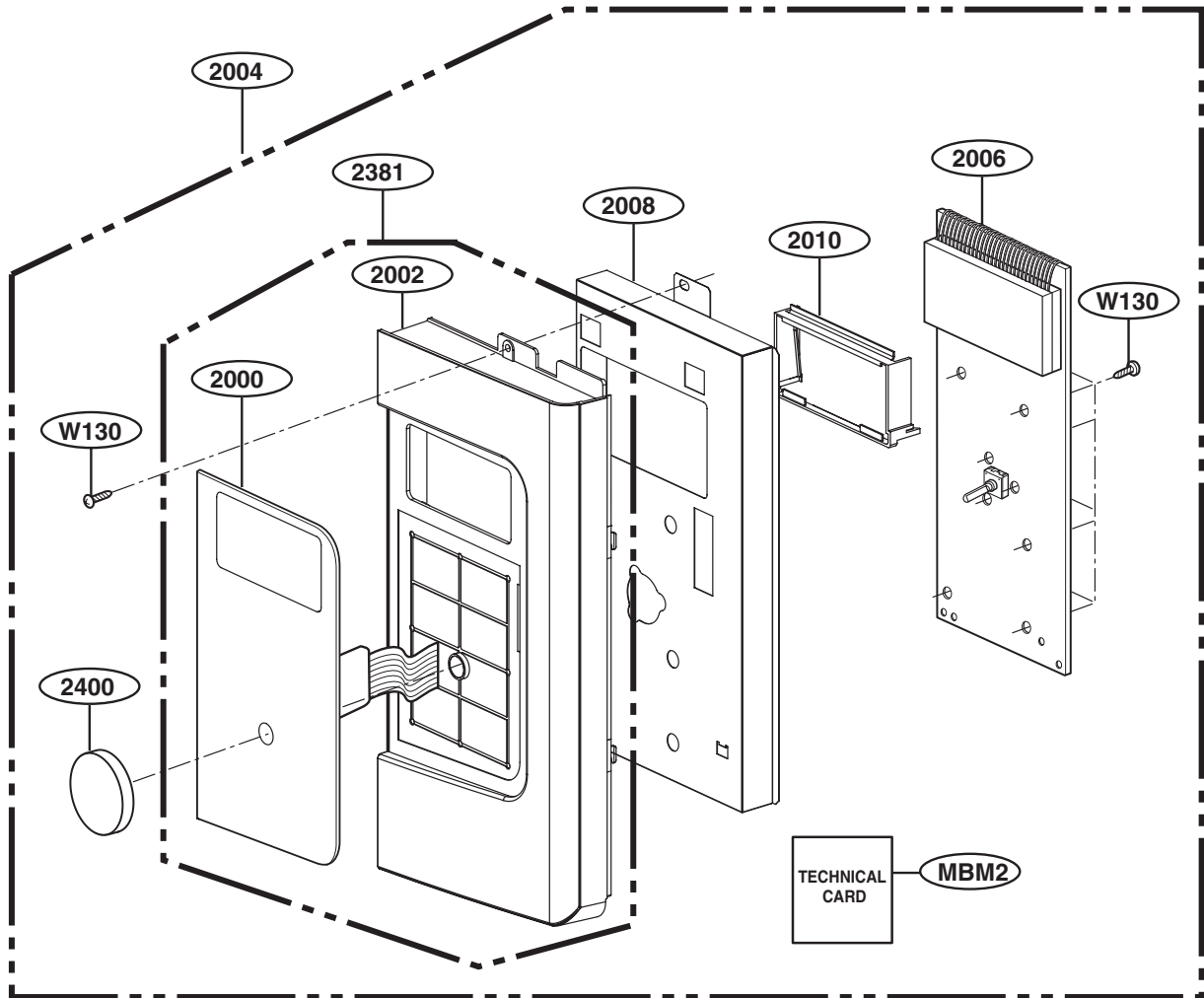
MODEL: JVM1665DNBB
JVM1665DNWW



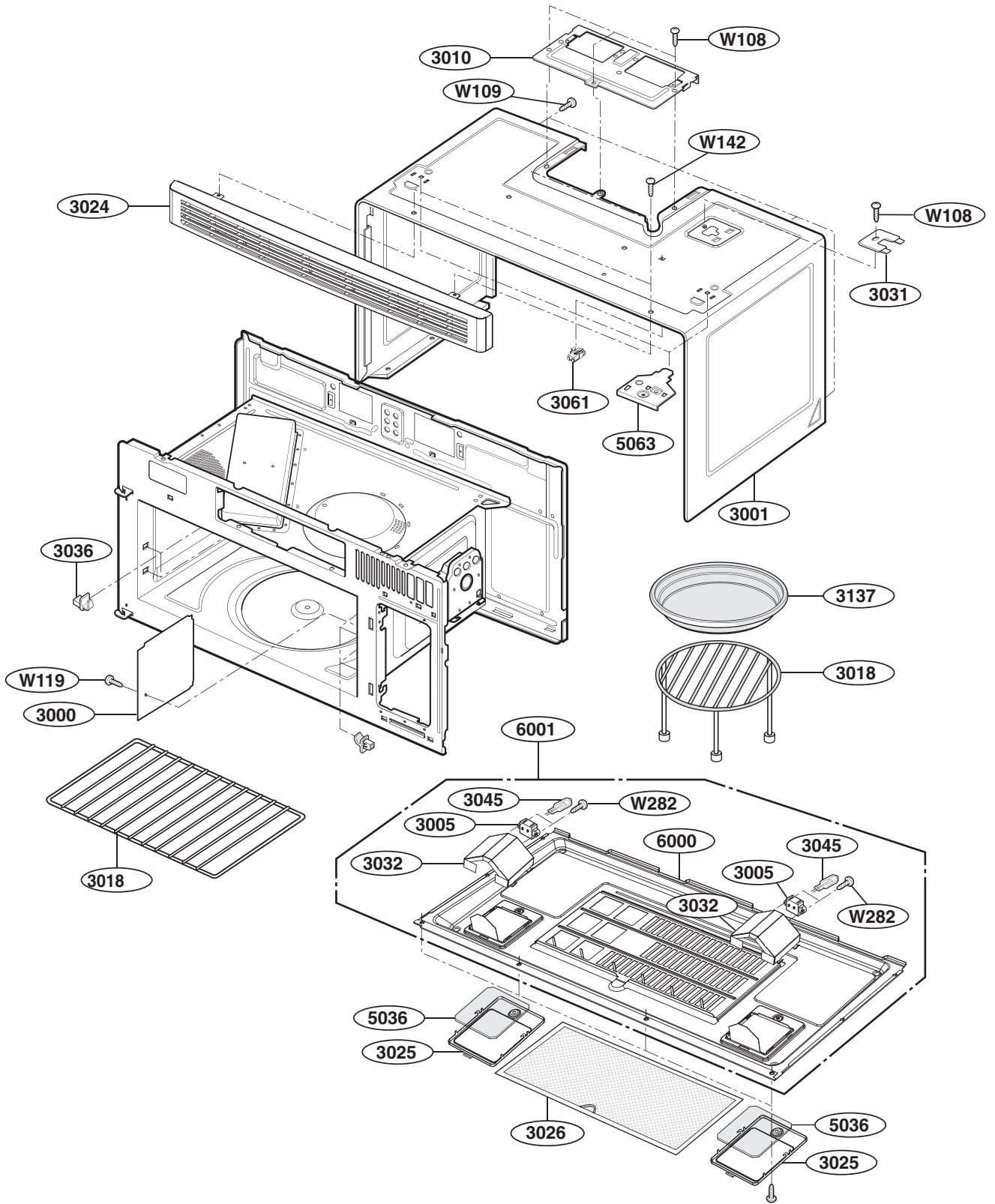
DOOR PARTS



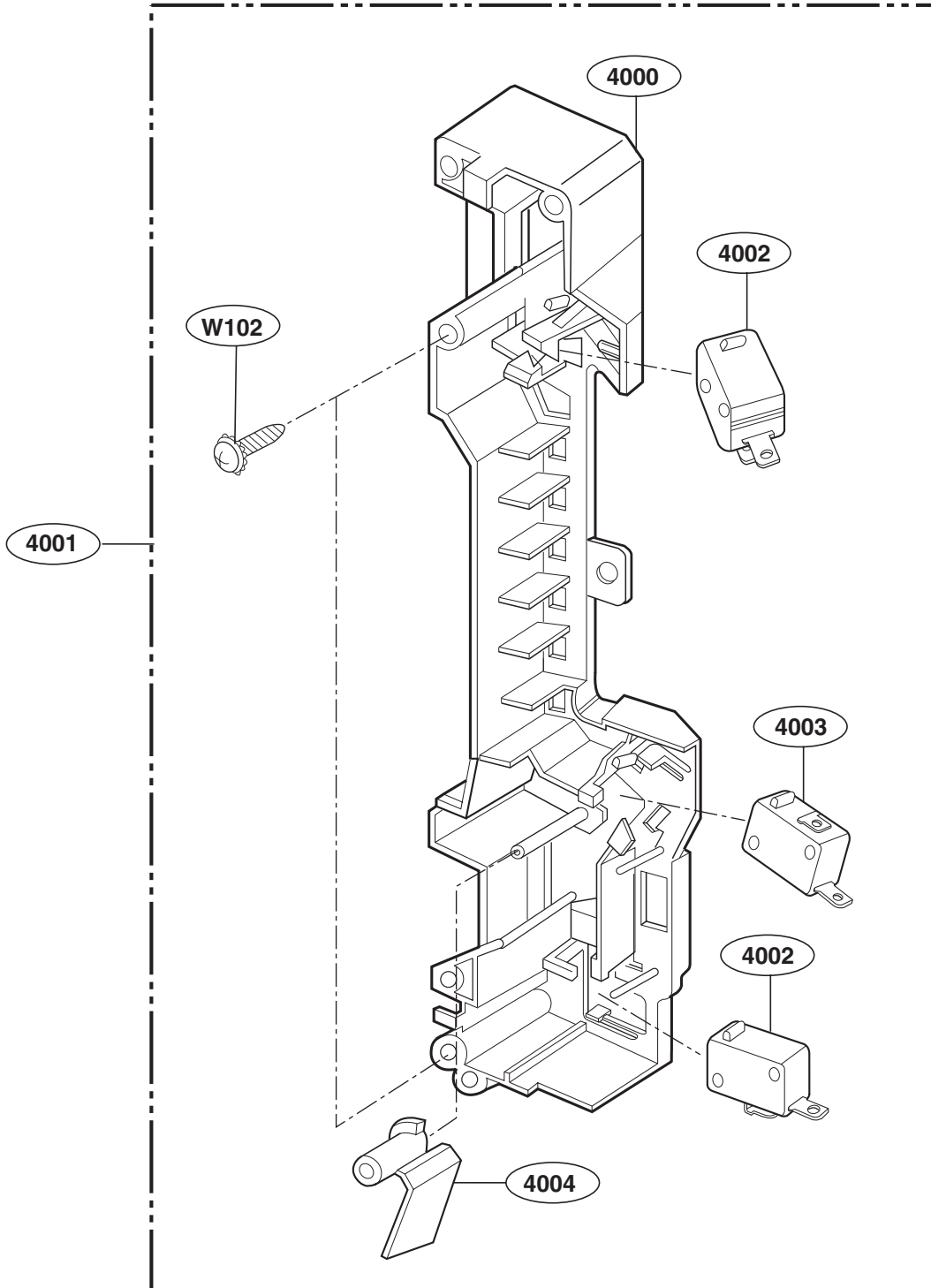
CONTROLLER PARTS



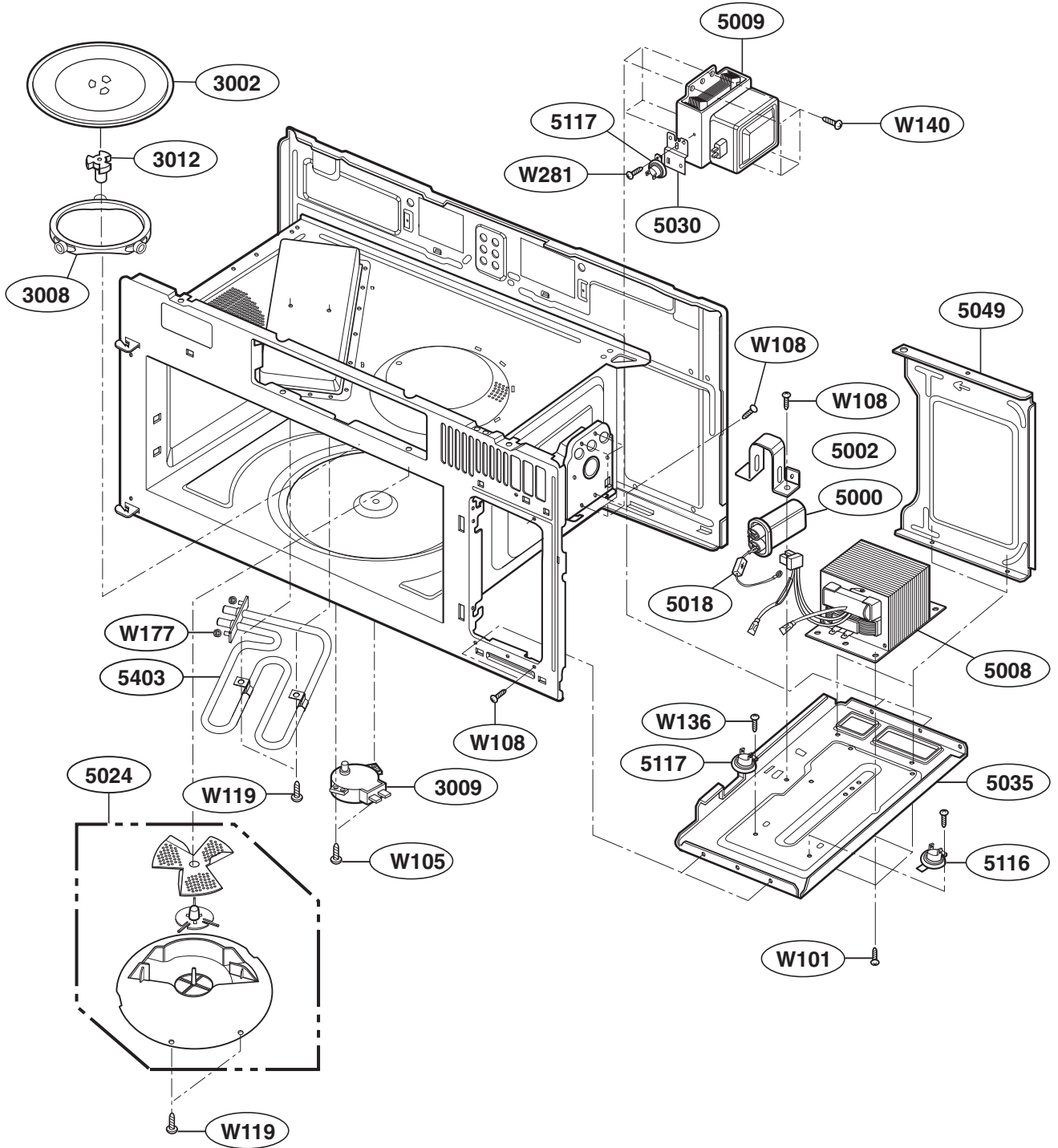
OVEN CAVITY PARTS



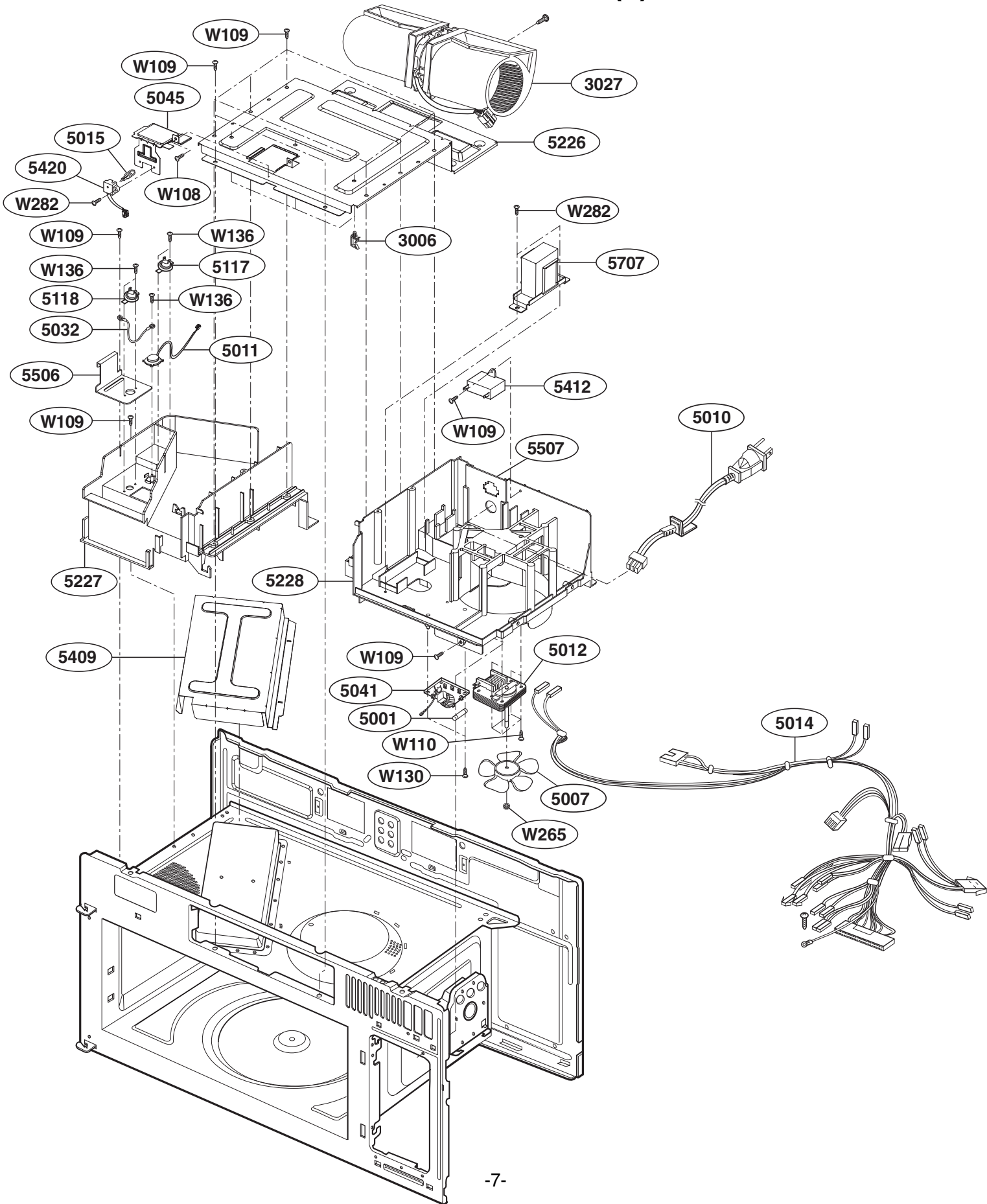
LATCH BOARD PARTS



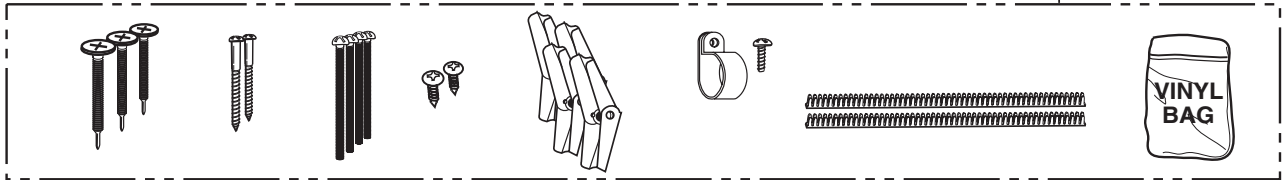
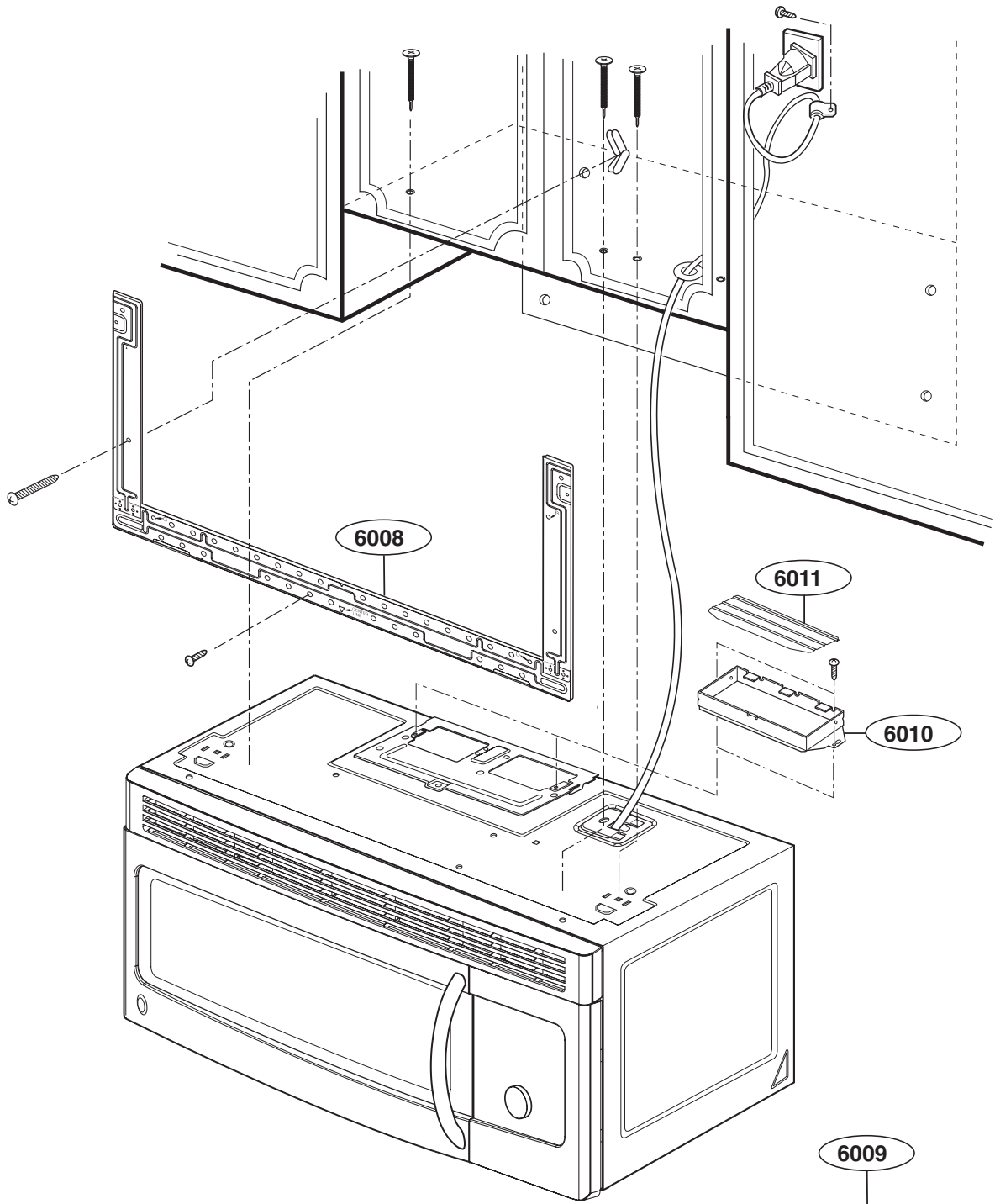
INTERIOR PARTS (I)



INTERIOR PARTS (II)



INSTALLATION PARTS



- OWNERS MANUAL — MFL1
- INSTALLATION MANUAL — MFL3
- COOKING GUIDE LABEL — MEZ1
- WALL TEMPLATE — MBM5
- UPPER TEMPLATE — MBM4