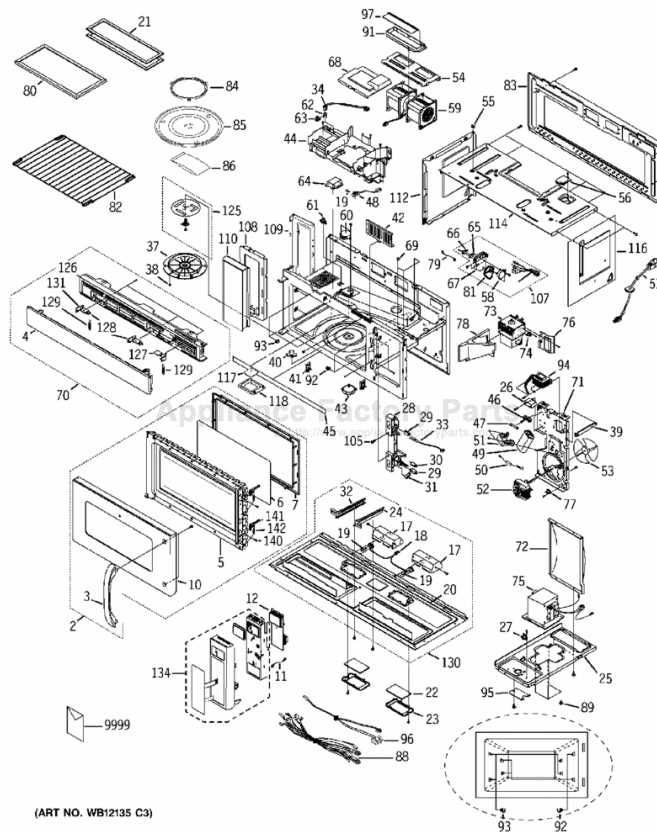


This Owner's Manual is provided and hosted by [Appliance Factory Parts](http://ApplianceFactoryParts.com).



GE JVM3660CF001 Owner's Manual

[Shop genuine replacement parts for GE JVM3660CF001](#)



[Find Your GE Microwave Parts - Select From 3055 Models](#)

----- Manual continues below -----



Spacemaker XL
Microwave Oven

Safety Instructions2-9

Operating Instructions

Auto Features20

Care and
Cleaning33, 34

Changing the
Power Level13

Cooking Guide15, 16

Defrosting Guide18

Exhaust Feature36, 37

Features of Your
Microwave Oven11, 12

Microwave Terms32

Other Features25-31

Replacing Bulbs35

Sensor Features21-24

Time Features14-19

*Troubleshooting
Tips*38, 39

Things That Are
Normal With Your
Microwave Oven39

**Owner's
Manual**

JVM3660
JVM3670

Consumer Support

Consumer
SupportBack Cover

Optional Kits10

Product
Registration41, 42

Warranty43

Español

For a Spanish version of this manual, visit our Website at GEAppliances.com.

Para consultar una version en español de este manual de instrucciones, visite nuestro sitio de internet GEAppliances.com.

Write the model and serial numbers here:

Model # _____

Serial # _____

Find these numbers on a label inside the oven.



IMPORTANT SAFETY INFORMATION. READ ALL INSTRUCTIONS BEFORE USING.

⚠ WARNING!

For your safety, the information in this manual must be followed to minimize the risk of fire or explosion, electric shock, or to prevent property damage, personal injury, or loss of life.

PRECAUTIONS TO AVOID POSSIBLE EXPOSURE TO EXCESSIVE MICROWAVE ENERGY



- **Do Not Attempt** to operate this oven with the door open since open-door operation can result in harmful exposure to microwave energy. It is important not to defeat or tamper with the safety interlocks.
- **Do Not Place** any object between the oven front face and the door or allow soil or cleaner residue to accumulate on sealing surfaces.
- **Do Not Operate** the oven if it is damaged. It is particularly important that the oven door close properly and that there is no damage to the:
 - 1 door (bent),
 - 2 hinges and latches (broken or loosened),
 - 3 door seals and sealing surfaces.
- **The Oven Should Not** be adjusted or repaired by anyone except properly qualified service personnel.



SAFETY PRECAUTIONS

When using electrical appliances basic safety precautions should be followed, including the following:

- Read and follow the specific precautions in the *Precautions to Avoid Possible Exposure to Excessive Microwave Energy* section above.
- This appliance must be grounded. Connect only to a properly grounded outlet. See the *Grounding Instructions* section on page 8.
- Install or locate this appliance only in accordance with the provided Installation Instructions.
- This microwave oven is UL listed for installation over electric and gas ranges.
- This microwave oven is not approved or tested for marine use.

Use this appliance only for its intended purpose as described in this Owner's Manual.

- Do not mount this appliance over a sink.
- This over-the-range oven was designed for use over ranges no wider than 36". It may be installed over both gas and electric cooking equipment.
- Do not operate this appliance if it has a damaged power cord or plug, if it is not working properly, or if it has been damaged or dropped. If the power cord is damaged, it must be replaced by General Electric Service or an authorized service agent using a power cord available from General Electric.
- Do not cover or block any openings on the appliance.
- Use this appliance only for its intended use as described in this manual. Do not use corrosive chemicals or vapors in this appliance. This microwave oven is specifically designed to heat, dry or cook food, and is not intended for laboratory or industrial use.
- Do not store this appliance outdoors. Do not use this product near water—for example, in a wet basement, near a swimming pool, near a sink or in similar locations.
- Keep power cord away from heated surfaces.
- Do not immerse power cord or plug in water.
- Do not store anything directly on top of the microwave oven surface when the microwave oven is in operation.
- To reduce the risk of fire in the oven cavity:
 - Do not overcook food. Carefully attend appliance when paper, plastic or other combustible materials are placed inside the oven while cooking.
 - Remove wire twist-ties and metal handles from paper or plastic containers before placing them in the oven.
 - Do not use the oven for storage purposes. Do not leave paper products, cooking utensils or food in the oven when not in use.
 - If materials inside the oven ignite, keep the oven door closed, turn the oven off and disconnect the power cord, or shut off power at the fuse or circuit breaker panel. If the door is opened, the fire may spread.
 - Do not use the Sensor Features twice in succession on the same food portion. If food is undercooked after the first countdown, use **Time Cook** for additional cooking time.
- See door surface cleaning instructions in the *Care and cleaning of the microwave oven* section of this manual.
- This appliance must only be serviced by qualified service personnel. Contact nearest authorized service facility for examination, repair or adjustment.
- As with any appliance, close supervision is necessary when used by children.

IMPORTANT SAFETY INFORMATION. READ ALL INSTRUCTIONS BEFORE USING.

⚠ WARNING!



ARCING

If you see arcing, press the **CLEAR/OFF** pad and correct the problem.

Arcing is the microwave term for sparks in the oven. Arcing is caused by:

- The metal shelf not installed correctly so it touches the microwave wall.
- Metal or foil touching the side of the oven.
- Foil not molded to food (upturned edges act like antennas).
- Metal, such as twist-ties, poultry pins, or gold-rimmed dishes, in the microwave.
- Recycled paper towels containing small metal pieces being used in the microwave.



FOODS

- Do not pop popcorn in your microwave oven unless in a special microwave popcorn accessory or unless you use popcorn labeled for use in microwave ovens.
- Some products such as whole eggs and sealed containers—for example, closed jars—are able to explode and should not be heated in this microwave oven. Such use of the microwave oven could result in injury.
- Do not boil eggs in a microwave oven. Pressure will build up inside egg yolk and will cause it to burst, possibly resulting in injury.
- Operating the microwave with no food inside for more than a minute or two may cause damage to the oven and could start a fire. It increases the heat around the magnetron and can shorten the life of the oven.
- Foods with unbroken outer “skin” such as potatoes, hot dogs, sausages, tomatoes, apples, chicken livers and other giblets, and egg yolks should be pierced to allow steam to escape during cooking.

■ **SUPERHEATED WATER**

Liquids, such as water, coffee, or tea, are able to be overheated beyond the boiling point without appearing to be boiling. Visible bubbling or boiling when the container is removed from the microwave oven is not always present. THIS COULD RESULT IN VERY HOT LIQUIDS SUDDENLY BOILING OVER WHEN THE CONTAINER IS DISTURBED OR A SPOON OR OTHER UTENSIL IS INSERTED INTO THE LIQUID.

To reduce the risk of injury to persons:

- Do not overheat the liquid.
- Stir the liquid both before and halfway through heating it.
- Do not use straight-sided containers with narrow necks.
- After heating, allow the container to stand in the microwave oven for a short time before removing the container.
- Use extreme care when inserting a spoon or other utensil into the container.

- Avoid heating baby food in glass jars, even with the lid off. Make sure all infant food is thoroughly cooked. Stir food to distribute the heat evenly. Be careful to prevent scalding when warming formula or breast milk. The container may feel cooler than the milk really is. Always test the milk before feeding the baby.
- Don't defrost frozen beverages in narrow-necked bottles (especially carbonated beverages). Even if the container is opened, pressure can build up. This can cause the container to burst, possibly resulting in injury.
- Hot foods and steam can cause burns. Be careful when opening any containers of hot food, including popcorn bags, cooking pouches and boxes. To prevent possible injury, direct steam away from hands and face.
- Do not overcook potatoes. They could dehydrate and catch fire, causing damage to your oven.
- Cook meat and poultry thoroughly—meat to at least an INTERNAL temperature of 160°F and poultry to at least an INTERNAL temperature of 180°F. Cooking to these temperatures usually protects against food-borne illness.

IMPORTANT SAFETY INFORMATION. READ ALL INSTRUCTIONS BEFORE USING.

⚠ WARNING!



MICROWAVE-SAFE COOKWARE

Make sure all cookware used in your microwave oven is suitable for microwaving. Most glass casseroles, cooking dishes, measuring cups, custard cups, pottery or china dinnerware which does not have metallic trim or glaze with a metallic sheen can be used. Some cookware is labeled “suitable for microwaving.”

- If you are not sure if a dish is microwave-safe, use this test: Place in the oven both the dish you are testing and a glass measuring cup filled with 1 cup of water—set the measuring cup either in or next to the dish. Microwave 30–45 seconds at high. If the dish heats, it should not be used for microwaving.

If the dish remains cool and only the water in the cup heats, then the dish is microwave-safe.

- If you use a meat thermometer while cooking, make sure it is safe for use in microwave ovens.

- Do not use recycled paper products. Recycled paper towels, napkins and waxed paper can contain metal flecks which may cause arcing or ignite. Paper products containing nylon or nylon filaments should be avoided, as they may also ignite.
- Some styrofoam trays (like those that meat is packaged on) have a thin strip of metal embedded in the bottom. When microwaved, the metal can burn the floor of the oven or ignite a paper towel.
- Do not use the microwave to dry newspapers.
- Not all plastic wrap is suitable for use in microwave ovens. Check the package for proper use.
- Paper towels, waxed paper and plastic wrap can be used to cover dishes in order to retain moisture and prevent spattering. Be sure to vent plastic wrap so steam can escape.
- Cookware may become hot because of heat transferred from the heated food. Pot holders may be needed to handle the cookware.

■ “Boilable” cooking pouches and tightly closed plastic bags should be slit, pierced or vented as directed by package. If they are not, plastic could burst during or immediately after cooking, possibly resulting in injury. Also, plastic storage containers should be at least partially uncovered because they form a tight seal. When cooking with containers tightly covered with plastic wrap, remove covering carefully and direct steam away from hands and face.

■ Use foil only as directed in this manual. TV dinners may be microwaved in foil trays less than 3/4" high; remove the top foil cover and return the tray to the box. When using foil in the microwave oven, keep the foil at least 1" away from the sides of the oven.

■ Plastic cookware—Plastic cookware designed for microwave cooking is very useful, but should be used carefully. Even microwave-safe plastic may not be as tolerant of overcooking conditions as are glass or ceramic materials and may soften or char if subjected to short periods of overcooking. In longer exposures to overcooking, the food and cookware could ignite.

Follow these guidelines:

- 1 Use microwave-safe plastics only and use them in strict compliance with the cookware manufacturer's recommendations.
- 2 Do not microwave empty containers.
- 3 Do not permit children to use plastic cookware without complete supervision.

IMPORTANT SAFETY INFORMATION. READ ALL INSTRUCTIONS BEFORE USING.

⚠ WARNING!

Improper use of the grounding plug can result in a risk of electric shock.



GROUNDING INSTRUCTIONS

This appliance must be grounded. In the event of an electrical short circuit, grounding reduces the risk of electric shock by providing an escape wire for the electric current.

This appliance is equipped with a power cord having a grounding wire with a grounding plug. The plug must be plugged into an outlet that is properly installed and grounded.

Consult a qualified electrician or service technician if the grounding instructions are not completely understood, or if doubt exists as to whether the appliance is properly grounded.

If the outlet is a standard 2-prong wall outlet, it is your personal responsibility and obligation to have it replaced with a properly grounded 3-prong wall outlet.

Do not under any circumstances cut or remove the third (ground) prong from the power cord.

Do not use an adapter plug with this appliance.

Do not use an extension cord with this appliance. If the power cord is too short, have a qualified electrician or service technician install an outlet near the appliance.

For best operation, plug this appliance into its own electrical outlet to prevent flickering of lights, blowing of fuse or tripping of circuit breaker.

THE VENT FAN

The fan will operate automatically under certain conditions (see Automatic Fan feature). Take care to prevent the starting and spreading of accidental cooking fires while the vent fan is in use.

- Clean the underside of the microwave often. Do not allow grease to build up on the microwave or the fan filters.
- In the event of a grease fire on the surface units below the microwave oven, smother a flaming pan on the surface unit by covering the pan completely with a lid, a cookie sheet or a flat tray.
- Use care when cleaning the vent fan filters. Corrosive cleaning agents, such as lye-based oven cleaners, may damage the filters.
- When preparing flaming foods under the microwave, turn the fan on.
- Never leave surface units beneath your microwave oven unattended at high heat settings. Boilovers cause smoking and greasy spillovers that may ignite and spread if the microwave vent fan is operating. To minimize automatic fan operation, use adequate-sized cookware and use high heat on surface units only when necessary.

READ AND FOLLOW THIS SAFETY INFORMATION CAREFULLY.

SAVE THESE INSTRUCTIONS



About optional kits.

OPTIONAL KITS

Filter Kits

JX81B – Recirculating Charcoal Filter Kit

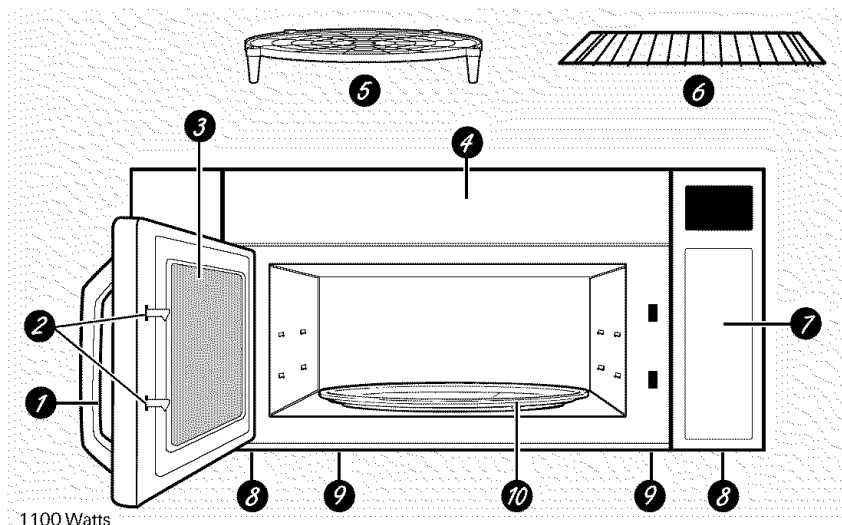
Filter kits are used when the microwave oven cannot be vented to the outside.

Available at extra cost from your GE supplier.

About the features of your microwave oven.

www.GEAppliances.com

Throughout this manual, features and appearance may vary from your model.



Features of the Oven

- 1 Door Handle.** Pull to open the door. The door must be securely latched for the microwave to operate.
 - 2 Door Latches.**
 - 3 Window with Metal Shield.** Screen allows cooking to be viewed while keeping microwaves confined in the oven.
 - 4 Active Vent (on some models).** The vent door swings open when the fan operates and closes when the fan shuts off.
 - 5 Defrost Rack.** When defrosting, for best results, place food directly on the defrost rack and place the rack on the turntable.
 - 6 Shelf.** Lets you microwave several foods at once. Food microwaves best when placed directly on the turntable.
 - 7 Touch Control Panel Display.**
 - 8 Cooktop Lights.**
 - 9 Grease Filters.**
 - 10 Removable Turntable.** Turntable and support **must** be in place when using the oven. The turntable may be removed for cleaning.
- NOTE:** Rating plate, oven vent(s) and oven light are located on the inside walls of the microwave oven.

Safety Instructions

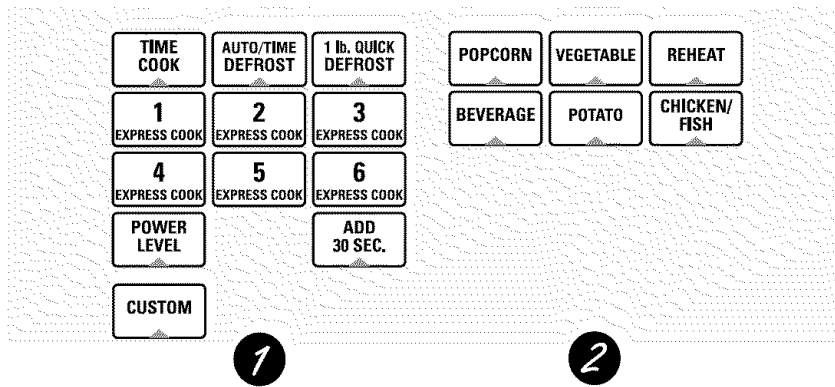
Operating Instructions

Troubleshooting Tips

Consumer Support

About the features of your microwave oven.

You can microwave by time, with the sensor features or with the auto features.



Cooking Controls

1 Time and Auto Features

Press	Enter
TIME COOK I & II Press once or twice	Amount of cooking time
AUTO/TIME DEFROST Press twice	Amount of defrosting time
CUSTOM	Follow displayed instructions
EXPRESS COOK	Starts immediately!
ADD 30 SEC	Starts immediately!
POWER LEVEL	Power level 1–10
AUTO/TIME DEFROST Press once	Food weight up to 6 lbs.
1 lb. QUICK DEFROST	Starts immediately!

2 Sensor Features

Press	Enter	Option
POPCORN	Starts immediately!	more/less time
BEVERAGE	Starts immediately!	
REHEAT	Starts immediately!	more/less time
POTATO	Starts immediately!	more/less time
VEGETABLE Press once (fresh vegetables) Press twice (frozen vegetables) Press three times (canned vegetables)	Starts immediately!	more/less time more/less time more/less time (on some models)
CHICKEN/FISH Press once (chicken pieces) Press twice (fish)	Starts immediately!	more/less time

About changing the power level.

www.GEAppliances.com



How to Change the Power Level

The power level may be entered or changed immediately after entering the feature time for **TIME COOK**, **TIME DEFROST**, **EXPRESS COOK** or **ADD 30 SEC.**

The power level may also be changed during time countdown.

- 1 Press **TIME COOK** or select **Time Defrost**.
- 2 Enter cooking or defrosting time.
- 3 Press **POWER LEVEL**.
- 4 Select desired power level 1–10.
- 5 Press **START**.

Variable power levels add flexibility to microwave cooking. The power levels on the microwave oven can be compared to the surface units on a range. High (power level 10) or full power is the fastest way to cook and gives you 100% power. Each power level gives you microwave energy a certain percent of the time. Power level 7 is microwave energy 70% of the time. Power level 3 is energy 30% of the time.

A high setting (10) will cook faster but food may need more frequent stirring, rotating or turning over. Most cooking will be done on High (power level 10). A lower setting will cook more evenly and need less stirring or rotating of the food.

Some foods may have better flavor, texture or appearance if one of the lower settings is used. Use a lower power level when cooking foods that have a tendency to boil over, such as scalloped potatoes.

Rest periods (when the microwave energy cycles off) give time for the food to “equalize” or transfer heat to the inside of the food. An example of this is shown with power level 3—the defrost cycle. If microwave energy did not cycle off, the outside of the food would cook before the inside was defrosted.

Here are some examples of uses for various power levels:

Power Level	Best Uses
High 10	Fish, bacon, vegetables, boiling liquids.
Med-High 7	Gentle cooking of meat and poultry; baking casseroles and reheating.
Medium 5	Slow cooking and tenderizing such as stews and less tender cuts of meat.
Low 2 or 3	Defrosting without cooking; simmering; delicate sauces.
Warm 1	Keeping food warm without overcooking; softening butter.

Safety Instructions

Operating Instructions

Troubleshooting Tips

Consumer Support

About the time features.



- 1 Press **TIME COOK**.
- 2 Enter cooking time.
- 3 Change power level if you don't want full power. (Press **POWER LEVEL**. Select a desired power level 1–10.)

- 4 Press **START**.

Time Cook I

Allows you to microwave for any time up to 99 minutes and 99 seconds.

Power level 10 (High) is automatically set, but you may change it for more flexibility.

You may open the door during **TIME COOK** to check the food. Close the door and press **START** to resume cooking.

Time Cook II

Lets you change power levels automatically during cooking. Here's how to do it:

- 1 Press **TIME COOK**.
- 2 Enter the first cook time.
- 3 Change the power level if you don't want full power. (Press **POWER LEVEL**. Select a desired power level 1–10.)
- 4 Press **TIME COOK** again.
- 5 Enter the second cook time.
- 6 Change the power level if you don't want full power. (Press **POWER LEVEL**. Select a power level 1–10.)
- 7 Press **START**.

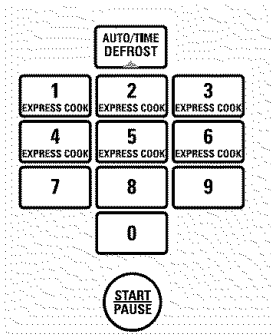
At the end of **Time Cook I**, **Time Cook II** counts down.

Cooking Guide for Time Cook I and Time Cook II**NOTE:** Use power level **High (10)** unless otherwise noted.

Vegetable	Amount	Time	Comments
Asparagus			
(fresh spears)	1 lb.	6 to 9 min., Med-High (7)	In 1½-qt. oblong glass baking dish, place 1/4 cup water.
(frozen spears)	10-oz package	5 to 7 min.	In 1-qt. casserole.
Beans			
(fresh green)	1 lb. cut in half	9 to 11 min.	In 1½-qt. casserole, place 1/2 cup water.
(frozen green)	10-oz package	6 to 8 min.	In 1-qt. casserole, place 2 tablespoons water.
(frozen lima)	10-oz package	6 to 8 min.	In 1-qt. casserole, place 1/4 cup water.
Beets			
(fresh, whole)	1 bunch	17 to 21 min.	In 2-qt. casserole, place 1/2 cup water.
Broccoli			
(fresh cut)	1 bunch (1¼ to 1½ lbs.)	7 to 10 min.	In 2-qt. casserole, place 1/2 cup water.
(fresh spears)	1 bunch (1¼ to 1½ lbs.)	9 to 13 min.	In 2-qt. oblong glass baking dish, place 1/4 cup water.
(frozen, chopped)	10-oz package	5 to 7 min.	In 1-qt. casserole.
(frozen spears)	10-oz package	5 to 7 min.	In 1-qt. casserole, place 3 tablespoons water.
Cabbage			
(fresh)	1 medium head (about 2 lbs.)	8 to 11 min.	In 1½- or 2-qt. casserole, place 1/4 cup water.
(wedges)		7 to 10 min.	In 2- or 3-qt. casserole, place 1/4 cup water.
Carrots			
(fresh, sliced)	1 lb.	7 to 9 min.	In 1½-qt. casserole, place 1/4 cup water.
(frozen)	10-oz package	5 to 7 min.	In 1-qt. casserole, place 2 tablespoons water.
Cauliflower			
(flowerets)	1 medium head	9 to 14 min.	In 2-qt. casserole, place 1/2 cup water.
(fresh, whole)	1 medium head	10 to 17 min.	In 2-qt. casserole, place 1/2 cup water.
(frozen)	10-oz package	5 to 7 min.	In 1-qt. casserole, place 2 tablespoons water.

About the time features.

Vegetable	Amount	Time	Comments
Corn			
(frozen kernel)	10-oz package	5 to 7 min.	In 1-qt. casserole, place 2 tablespoons water.
Corn on the cob			
(fresh)	1 to 5 ears	3 to 4 min. per ear	In 2-qt. oblong glass baking dish, place corn. If corn is in husk, use no water; if corn has been husked, add 1/4 cup water. Rearrange after half of time.
(frozen)	1 ear	5 to 6 min.	Place in 2-qt. oblong glass baking dish.
	2 to 6 ears	3 to 4 min. per ear	Cover with vented plastic wrap. Rearrange after half of time.
Mixed vegetables			
(frozen)	10-oz package	5 to 7 min.	In 1-qt. casserole, place 3 tablespoons water.
Peas			
(fresh, shelled)	2 lbs. unshelled	9 to 12 min.	In 1-qt. casserole, place 1/4 cup water.
(frozen)	10-oz package	5 to 7 min.	In 1-qt. casserole, place 2 tablespoons water.
Potatoes			
(fresh, cubed, white)	4 potatoes (6 to 8 oz each)	9 to 12 min.	Peel and cut into 1 inch cubes. Place in 2-qt. casserole with 1/2 cup water. Stir after half of time.
(fresh, whole, sweet or white)	1 (6 to 8 oz)	3 to 4 min.	Pierce with cooking fork. Place in center of the oven. Let stand 5 minutes.
Spinach			
(fresh)	10 to 16 oz	5 to 7 min.	In 2-qt. casserole, place washed spinach.
(frozen, chopped and leaf)	10-oz package	5 to 7 min.	In 1-qt. casserole, place 3 tablespoons water.
Squash			
(fresh, summer and yellow)	1 lb. sliced	5 to 7 min.	In 1½-qt. casserole, place 1/4 cup water.
(winter, acorn, butternut)	1 to 2 squash (about 1 lb. each)	8 to 11 min.	Cut in half and remove fibrous membranes. In 2-qt. oblong glass baking dish, place squash cut-side-down. Turn cut-side-up after 4 minutes.



1 Press **AUTO/TIME DEFROST** twice.

2 Enter defrosting time.

3 Press **START**.

Time Defrost

Allows you to defrost for the length of time you select. See the Defrosting Guide for suggested times.

Power level 3 is automatically set, but you may change this for more flexibility. You may defrost small items more quickly by raising the power level after entering the time. However, they will need more frequent attention than usual.

Power level 7 cuts the total defrosting time in about half; power level 10 cuts the total time to approximately 1/3. Rotate or stir food frequently.

A dull thumping noise may be heard during defrosting. This sound is normal when the oven is not operating at High power.

Defrosting Tips

- For best results, place food directly on the defrost rack and place the rack on the turntable.
- Foods frozen in paper or plastic can be defrosted in the package. Tightly closed packages should be slit, pierced or vented **AFTER** food has partially defrosted. Plastic storage containers should be at least partially uncovered.
- Family-size, prepackaged frozen dinners can be defrosted and microwaved. If the food is in a foil container, transfer it to a microwave-safe dish.
- Foods that spoil easily, such as milk, eggs, fish, stuffings, poultry and pork should not be allowed to sit out for more than one hour after defrosting. Room temperature promotes the growth of harmful bacteria.
- For more even defrosting of larger foods, such as beef, lamb and veal roasts, use **Auto Defrost**.
- Be sure large meats are completely defrosted before cooking.
- When defrosted, food should be cool but softened in all areas. If still slightly icy, return to the microwave very briefly, or let it stand a few minutes.

About the time features.

Defrosting Guide

Food	Time	Comments
Breads, Cakes		
Bread, buns or rolls (1 piece)	1 min.	
Sweet rolls (approx. 12 oz)	3 to 5 min.	
Fish and Seafood		
Fillets, frozen (1 lb.)	6 to 8 min.	
Shellfish, small pieces (1 lb.)	5 to 7 min.	Place block in casserole. Turn over and break up after half the time.
Fruit		
Plastic pouch – 1 to 2 (10-oz package)	3 to 6 min.	
Meat		
Bacon (1 lb.)	2 to 5 min.	Place unopened package in oven. Let stand 5 minutes after defrosting.
Franks (1 lb.)	2 to 5 min.	Place unopened package in oven. Microwave just until franks can be separated. Let stand 5 minutes, if necessary, to complete defrosting.
Ground meat (1 lb.)	5 to 7 min.	Turn meat over after half the time.
Roast: beef, lamb, veal, pork	12 to 16 min. per lb.	Use power level 1.
Steaks, chops and cutlets	5 to 7 min. per lb.	Place unwrapped meat in cooking dish. Turn over after half the time and shield warm areas with foil. When finished, separate pieces and let stand to complete defrosting.
Poultry		
Chicken, broiler-fryer cut up (2½ to 3 lbs.)	15 to 19 min.	Place wrapped chicken in dish. Unwrap and turn over after half the time. When finished, separate pieces and microwave 2–4 minutes more, if necessary. Let stand to finish defrosting.
Chicken, whole (2½ to 3 lbs.)	17 to 21 min.	Place wrapped chicken in dish. After half the time, unwrap and turn chicken over. Shield warm areas with foil. Finish defrosting. If necessary, run cold water in the cavity until giblets can be removed.
Cornish hen	7 to 13 min. per lb.	Place unwrapped hen in the oven breast-side-up. Turn over after half the time. Run cool water in the cavity until giblets can be removed.
Turkey breast (4 to 6 lbs.)	5 to 9 min. per lb.	Place unwrapped breast in dish breast-side-down. After half the time, turn over and shield warm areas with foil. Finish defrosting. Let stand 1–2 hours in refrigerator to complete defrosting.



Express Cook

This is a quick way to set cooking time for 1–6 minutes.

Press one of the **Express Cook** pads (from 1 to 6) for 1–6 minutes of cooking at **power level 10**. For example, press the **2** pad for 2 minutes of cooking time.

The power level can be changed as time is counting down. Press **POWER LEVEL** and enter 1–10.



Add 30 Seconds

You can use this feature two ways:

- It will add 30 seconds to the time counting down each time the pad is pressed.
- It can be used as a quick way to set 30 seconds of cooking time.

About the auto features.



1 Press **AUTO/TIME DEFROST** once for **Auto Defrost**.

2 Using the Conversion Guide at right, enter food weight. For example, press pads 1 and 2 for 1.2 pounds (1 pound, 3 ounces). Enter weight up to 6 pounds for **Auto Defrost**.

3 Press **START**.

Auto Defrost

Auto Defrost automatically sets the defrosting times and power levels to give even defrosting results for meats, poultry and fish weighing up to six pounds.

- For best results, remove food from the package, place food directly on the defrost rack and place the rack on the turntable.
- Twice during **Auto Defrost**, the oven signals **Turn Food Over**. At each signal, turn the food over. Remove defrosted meat or shield warm areas with small pieces of foil.
- After defrosting, most meats need to stand 5 minutes to complete defrosting. Large roasts should stand for about 30 minutes.

Conversion Guide

If the weight of food is stated in pounds and ounces, the ounces must be converted to tenths (.1) of a pound.

Weight of Food in Ounces	Enter Food Weight (tenths of a pound)	Weight of Food in Ounces	Enter Food Weight (tenths of a pound)
1-2	.1	9-10	.6
3	.2	11	.7
4-5	.3	12-13	.8
6-7	.4	14-15	.9
8	.5		

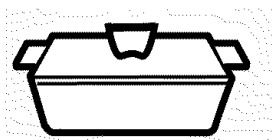
1 lb. QUICK DEFROST

1 lb. Quick Defrost

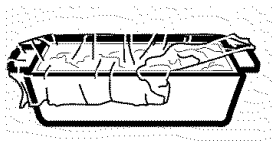
1 lb. Quick Defrost automatically sets the defrosting times and power levels for foods weighing one pound.

Press **1 lb. Quick Defrost**. The oven starts automatically. When the oven signals, turn food over.

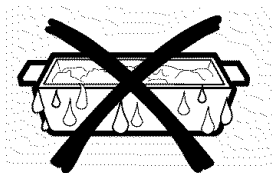
- For best results, remove food from the package, place food directly on the defrost rack and place the rack on the turntable.



Covered



Vented



Dry off dishes so they don't mislead the sensor.

Humidity Sensor

What happens when using the Sensor Features:

The Sensor Features detect the increasing humidity released during cooking. The oven automatically adjusts the cooking time to various types and amounts of food.

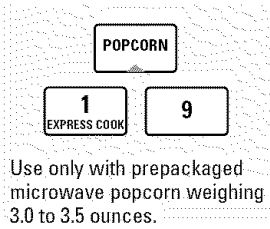
Do not use the Sensor Features twice in succession on the same food portion—it may result in severely overcooked or burnt food. If food is undercooked after the countdown, use **Time Cook** for additional cooking time.

The proper containers and covers are essential for best sensor cooking.

Always use microwave-safe containers and cover them with lids or vented plastic wrap. Never use tight sealing plastic containers—they can prevent steam from escaping and cause food to overcook.

Be sure the outside of the cooking containers and the inside of the microwave oven are dry before placing food in the oven. Beads of moisture turning into steam can mislead the sensor.

About the sensor features.



NOTE: Do not use the metal shelf when using the **POPCORN** feature.

NOTE: Do not use this feature twice in succession on the same food portion—it may result in severely overcooked or burnt food.

Popcorn

How to Use the Popcorn Feature

- 1 Follow package instructions, using **Time Cook** if the package is less than 3.0 ounces or larger than 3.5 ounces. Place the package of popcorn in the center of the microwave.
- 2 Press **POPCORN** for a regular size (3.0 to 3.5 oz) bag of popcorn. The oven starts immediately.

If you open the door while **POPCORN** is displayed, an error message will appear. Close the door and press **START**.

If food is undercooked after the countdown use **Time Cook** for additional cooking time.

How to Adjust the Popcorn Program to Provide a Shorter or Longer Cook Time

If you find that the brand of popcorn you use underpops or overcooks consistently, you can add or subtract 20–30 seconds to the automatic popping time.

To add time:

After pressing **POPCORN**, press **9** within the first 30 seconds after the oven starts for an extra 20 seconds.

Press **9** again to add another 10 seconds (total 30 seconds additional time).

To subtract time:

After pressing **POPCORN**, press **1** within the first 30 seconds after the oven starts for 20 seconds less cooking time.

Press **1** again to reduce cooking time another 10 seconds (total 30 seconds less time).

BEVERAGE**Beverage**

Press **BEVERAGE** once to heat an 8–10 oz cup of coffee or other beverage.

Drinks heated with the Beverage feature may be very hot. Remove the container with care.

If food is undercooked after the countdown use **Time Cook** for additional cooking time.

NOTE: Do not use this feature twice in succession on the same food portion—it may result in severely overcooked or burnt food.

**Reheat****How to Use the Reheat feature:**

- 1** Place the cup of liquid or covered food in the oven. Press **REHEAT** once, twice or three times. The oven starts immediately. Press once for a plate of leftovers. Press twice for pasta (8–12 oz). Press three times for vegetables (1/2 to 2 cups).
- 2** The oven signals when steam is sensed and the time remaining begins counting down.

Do not open the oven door until time is counting down. If the door is opened, close it and press **START** immediately.

After removing food from the oven, stir, if possible, to even out the temperature. Reheated foods may have wide variations in temperature. Some areas may be extremely hot.

If food is not hot enough after the countdown use **Time Cook** for additional reheating time.

How to Change the Automatic Settings:

To reduce time by 10%:

Press **1** within 30 seconds after pressing the **REHEAT** pad.

To add 10% to cooking time:

Press **9** within 30 seconds after pressing the **REHEAT** pad.

Some Foods Not Recommended For Use With Reheat:

It is best to use **Time Cook** for these foods:

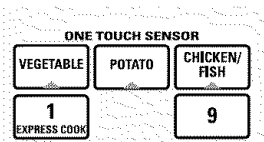
- Bread products.
- Foods that must be reheated uncovered.
- Foods that need to be stirred or rotated.
- Foods calling for a dry look or crisp surface after reheating.

For reheating single servings of previously cooked foods or a plate of leftovers.

NOTE: Do not use the metal shelf when using the **Reheat** feature.

NOTE: Do not use this feature twice in succession on the same food portion—it may result in severely overcooked or burnt food.

About the sensor features.



Sensor cooking gives you easy, automatic results with a variety of foods (see the Cooking Guide below).

NOTE: Do not use the metal shelf with Sensor Cooking.

NOTE: Do not use this feature twice in succession on the same food portion—it may result in severely overcooked or burnt food.

Sensor Cooking

Vegetables, Potatoes, Fish, Chicken Pieces

- 1 Place covered food in the oven. Press the food pad. For vegetables, press the **VEGETABLE** pad once for fresh vegetables, twice for frozen vegetables, or three times for canned vegetables. For chicken or fish, press the **CHICKEN/FISH** pad once for chicken pieces or twice for fish. The oven starts immediately.
- 2 The oven signals when steam is sensed and the time remaining begins counting down. Turn or stir the food if necessary.

Do not open the oven door until time is counting down. If the door is opened, close it and press **START** immediately.

If food is undercooked after the countdown use **Time Cook** for additional cooking time.

How to Change the Automatic Settings (automatic settings for canned vegetables cannot be adjusted on some models):

You can adjust the cooking time for all foods to suit your personal taste.

To reduce time by 10%:

Press **1** within 30 seconds after pressing the food pad.

To add 10% to cooking time:

Press **9** within 30 seconds after pressing the food pad.

Cooking Guide

Food Type	Amount	Comments
Canned Vegetables	4–16 oz	Cover with lid or vented plastic wrap.
Frozen Vegetables	4–16 oz	Follow package instructions for adding water. Cover with lid or vented plastic wrap.
Fresh Vegetables	4–16 oz	Add 1/4 cup water per serving. Cover with lid or vented plastic wrap.
Potatoes	8–32 oz	Pierce skin with fork. Place potatoes on the turntable.
Fish	4–16 oz	Cover with vented plastic wrap.
Chicken Pieces	2–8 pieces	Cover with vented plastic wrap.

Other features your model may have.

www.GEAppliances.com



Custom

The **CUSTOM** pad allows you to save your most frequently used settings. (Sensor cooking settings cannot be saved.)

To set and save a setting:

- 1 Press the **CUSTOM** pad.
- 2 Set the amount of cooking time.
- 3 Set the power level, if desired. (Full power will automatically be set if you do not change it.)
- 4 Press the **CUSTOM** pad.

Your custom setting will be remembered for future one touch use.

To clear the custom setting, press and hold the **CUSTOM** pad for 2 seconds.



Help

The **HELP** pad displays feature information and helpful hints. Press **HELP**, then select a feature pad.

Cooking Complete Reminder

To remind you that you have food in the oven, the oven will display **FOOD IS READY** and beep once a minute until you either open the oven door or press **CLEAR/OFF**.



Clock

Press **CLOCK** to set the time of day.

- 1 Press **CLOCK**.
- 2 Enter the time of day.
- 3 Select AM or PM.
- 4 Press **START**.

To check the time of day while microwaving, press **CLOCK**.

Other features your model may have.



Delay Start

Delay Start allows you to set the microwave to delay cooking up to 24 hours.

- 1 Press **DELAY START**.
- 2 Select the cooking or defrosting feature you wish to delay; then enter the cooking or defrosting time.
- 3 Press **START**.
- 4 Enter the time you want the oven to start. (Be sure the microwave clock shows the correct time of day.)
- 5 Select AM or PM.
- 6 Press **START**.

The start time will be displayed and will remain until the oven automatically starts at the delayed time.

The time of day may be displayed by pressing **CLOCK**.



Timer

Timer operates as a minute timer and can be used at any time, even when the oven is operating.

- 1 Press **TIMER**.
- 2 Enter time you want to count down.
- 3 Press **TIMER** to start.

To pause the countdown, press **TIMER**.

When time is up, the oven will signal. To turn off the timer signal, press **TIMER**.

NOTE: The timer indicator will be lit while the timer is operating.

To cancel the timer, press and hold the **TIMER** pad for 2 seconds.



Reminder

The **Reminder** feature can be used like an alarm clock, and can be used at any time, even when the oven is operating. The **Reminder** time can be set up to 24 hours later.

- 1 Press **REMINDER**.
- 2 Enter the time you want the oven to remind you. (Be sure the microwave clock shows the correct time of day.)
- 3 Select AM or PM.
- 4 Press **REMINDER**. When **Reminder** signal occurs, press **REMINDER** to turn it off. The **Reminder** time may be displayed by pressing **REMINDER**.

NOTE: The **REM** indicator will remain lit to show that the **Reminder** is set. To clear the **Reminder** before it occurs, press and hold the **REMINDER** pad for 2 seconds.



Start/Pause

In addition to starting many functions, **START/PAUSE** allows you to stop cooking without opening the door or clearing the display.



Child Lock-Out

You may lock the control panel to prevent the microwave from being accidentally started or used by children.

To lock or unlock the controls, press and hold **CLEAR/OFF** for about three seconds. When the control panel is locked, **LOCKED** will be displayed.

Other features your model may have.



Turntable

For best cooking results, leave the turntable on. It can be turned off for large dishes. Press **TURNTABLE** to turn the turntable on or off.

Sometimes the turntable can become too hot to touch. Be careful touching the turntable during and after cooking.



Vent Fan

The vent fan removes steam and other vapors from surface cooking.



Press **VENT FAN** once for high fan speed, twice for medium fan speed, a third time for low fan speed, or a fourth time to turn the fan off.

Press the **VENT FAN BOOST** pad for extra fan speed.

Automatic Fan

An automatic fan feature protects the microwave from too much heat rising from the cooktop below it. It automatically turns on at low speed if it senses too much heat.

If you have turned the fan on, you may find that you cannot turn it off. The fan will automatically turn off when the internal parts are cool. It may stay on for 30 minutes or more after the cooktop and microwave controls are turned off.



Surface Light

Press **SURFACE LIGHT** once for bright light, twice for the night light, or three times to turn the light off.



Options

Press the **OPTIONS** pad multiple times to cycle through the available options.

Auto Nite Light

The **Auto Nite Light** can be set to come on and go off at desired times. To set the timer:

- 1** Press **1**.
- 2** Enter the time of day for the light to come on.
- 3** Select AM or PM.
- 4** Press the **OPTIONS** pad.
- 5** Enter the time of day for the light to go off.
- 6** Select AM or PM.
- 7** Press the **OPTIONS** pad.

To review the nite light settings, press **2** after selecting the **Auto Nite Light** option.

To turn the nite light off, press **0** after selecting the **Auto Nite Light** option.

Beeper Volume

The beeper sound level can be adjusted. Choose 0–3 for mute to loud.

Charcoal Filter Reminder

The **Charcoal Filter Reminder** is a 180-day timer to remind you when to change the charcoal filter. Press **0** to turn the reminder off. Press **1** to set the reminder. Press **2** to reset the reminder.

Display Language

The language for the scrolling display may be set at either English or Spanish. Press **1** for English or **2** for Spanish.

Display On/Off

You can choose to turn the clock display on or off. Press **0** to turn the display off. Press **1** to turn the display on.

Display Speed

The scroll speed of the display can be changed. Select 1–5 for slowest to fastest scroll speed.

Other features your model may have.



Shelf

Food microwaves best when placed on the turntable or on the shelf in the lower position.

Only use the shelf when reheating on more than one level. Do not store the shelf inside the oven cavity.

How to Use the Shelf When Microwaving

- Make sure the shelf is positioned properly inside the microwave to prevent damage to the oven from arcing.
- Do not use a microwave browning dish on the shelf. The shelf could overheat.
- Do not use the oven with the shelf on the microwave floor. This could damage the microwave.
- Use pot holders when handling the shelf—it may be hot.
- Do not use the shelf when cooking popcorn.
- Do not use the shelf with Sensor Cooking or **Reheat**.



For best results



Uneven results



2-level reheating



Switch places after 1/2 time



Switch places after 1/2 time

Shelf and Reheating

- To reheat on 2 levels

OR

- To reheat 2 dishes on the lower level:

- 1 Multiply reheat time by 1½.
- 2 Switch places after 1/2 the time.

Microwave terms.

Term	Definition
Arcing	Arcing is the microwave term for sparks in the oven. Arcing is caused by: <ul style="list-style-type: none">■ the metal shelf being installed incorrectly and touching the microwave walls.■ metal or foil touching the side of the oven.■ foil that is not molded to food (upturned edges act like antennas).■ metal such as twist-ties, poultry pins, gold-rimmed dishes.■ recycled paper towels containing small metal pieces.
Covering	Covers hold in moisture, allow for more even heating and reduce cooking time. Venting plastic wrap or covering with wax paper allows excess steam to escape.
Shielding	In a regular oven, you shield chicken breasts or baked foods to prevent over-browning. When microwaving, you use small strips of foil to shield thin parts, such as the tips of wings and legs on poultry, which would cook before larger parts.
Standing Time	When you cook with regular ovens, foods such as roasts or cakes are allowed to stand to finish cooking or to set. Standing time is especially important in microwave cooking. Note that a microwaved cake is not placed on a cooling rack.
Venting	After covering a dish with plastic wrap, you vent the plastic wrap by turning back one corner so excess steam can escape.



Helpful Hints

An occasional thorough wiping with a solution of baking soda and water keeps the inside fresh.

NOTE: Be certain the power is off before cleaning any part of this oven.



How to Clean the Inside

Walls, Floor, Inside Window, Metal and Plastic Parts on the Door

Some spatters can be removed with a paper towel; others may require a damp cloth. Remove greasy spatters with a sudsy cloth; then rinse with a damp cloth. Do not use abrasive cleaners or sharp utensils on oven walls.

Never use a commercial oven cleaner on any part of your microwave.

Removable Turntable and Turntable Support

To prevent breakage, do not place the turntable into water just after cooking. Wash it carefully in warm, sudsy water or in the dishwasher. The turntable and support can be broken if dropped. Remember, do not operate the oven without the turntable and support in place.

Shelf

Clean with mild soap and water or in the dishwasher.

Do not clean in a self-cleaning oven.

Defrost Rack

Clean with mild soap and water or in the top rack of the dishwasher.

Care and cleaning of the microwave oven.



How to Clean the Outside

We recommend against using cleaners with ammonia or alcohol, as they can damage the appearance of the microwave oven. If you choose to use a common household cleaner, first apply the cleaner directly to a clean cloth, then wipe the soiled area.

Bottom

Clean off the grease and dust on the bottom often. Use a solution of warm water and detergent.

Case

Clean the outside of the microwave with a sudsy cloth. Rinse and then dry. Wipe the window clean with a damp cloth.

Control Panel and Door

Wipe with a damp cloth. Dry thoroughly. Do not use cleaning sprays, large amounts of soap and water, abrasives or sharp objects on the panel—they can damage it. Some paper towels can also scratch the control panel.

Door Seal

It's important to keep the area clean where the door seals against the microwave. Use only mild, non-abrasive detergents applied with a clean sponge or soft cloth. Rinse well.

Stainless Steel (on some models)

Do not use a steel-wood pad; it will scratch the surface.

To clean the stainless steel surface, use a hot, damp cloth with a mild detergent suitable for stainless steel surfaces. Use a clean, hot, damp cloth to remove soap. Dry with a dry, clean cloth.

If food soil remains, try a general kitchen cleaner.

For hard-to-clean soil, use a standard stainless steel cleaner, such as Bon-Ami® or Cameo®.

Apply cleaner with a damp sponge. Use a clean, hot, damp cloth to remove cleaner. Dry with a dry, clean cloth. Always scrub lightly in the direction of the grain.

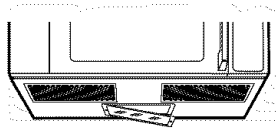
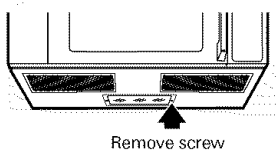
After cleaning, use a stainless steel polish, such as Stainless Steel Magic®, Revere Copper and Stainless Steel Cleaner® or Weno! All Purpose Metal Polish®. Follow the product instructions for cleaning the stainless steel surface.

Replacing the light bulbs.

www.GEAppliances.com

Cooktop Light/Night Light

Replace the burned-out bulb with a 120 volt, 20-watt halogen bulb (WB36X10213), available from your GE supplier.



- 1 To replace the bulb(s), first disconnect the power at the main fuse or circuit breaker panel or pull the plug.
- 2 Remove the screw at the right edge of the light cover and push on the left edge of the cover to open.
- 3 Be sure the bulb(s) to be replaced are cool before removing. After breaking the adhesive seal, remove the bulb by pulling straight out. Replace with the same size and type bulb.
- 4 Raise the light shield and replace the screw. Connect electrical power to the oven.

Safety Instructions

Operating Instructions

Troubleshooting Tips

Consumer Support

About the exhaust feature.

Charcoal Filter
(on some models)



Reusable Grease Filters
(on all models)

The Vent Fan

The vent fan has 2 metal reusable grease filters.

Models that recirculate air back into the room also use a charcoal filter.

Reusable Grease Filters

The metal filters trap grease released by foods on the cooktop. They also prevent flames from foods on the cooktop from damaging the inside of the microwave.

For this reason, the filters must ALWAYS be in place when the hood is used. The grease filters should be cleaned once a month, or as needed.



Removing and Cleaning the Filter

To remove, slide it to the outside using the tab. Pull it down and out.

To clean the grease filter, soak it and then swish it around in hot water and detergent. Don't use ammonia or ammonia products because they will darken the metal. Light brushing can be used to remove embedded dirt.

Rinse, shake and let it dry before replacing.

To replace, slide the filter in the frame slot at the outside of the opening. Pull up and in to lock into place.

Charcoal Filter (on some models)

The charcoal filter cannot be cleaned. It must be replaced. Order Part No. WB2X10733 from your GE supplier.

If the model is not vented to the outside, the air will be recirculated through a disposable charcoal filter that helps remove smoke and odors.

The charcoal filter should be replaced when it is noticeably dirty or discolored (usually after 6–12 months, depending on hood usage).



Remove grille screws to remove the grille.

To Remove Charcoal Filter

To remove the charcoal filter, disconnect power at the main fuse or circuit breaker panel or pull the plug.

Remove the top grille by removing the screws on top of the grille that hold it in place and sliding the grille to the left (opening the door makes grille removal easier). Slide the filter towards the front of the oven and remove it.



To Install Charcoal Filter

To install a new filter, remove plastic and other outer wrapping from the new filter.

Insert the filter into the top opening of the oven as shown. It will rest at an angle on 2 side support tabs and in front of the right rear tab. Replace the grille and screws.

Before you call for service...



Troubleshooting Tips

Save time and money! Review the charts on the following pages first and you may not need to call for service.

Problem	Possible Causes	What To Do
Oven will not start	A fuse in your home may be blown or the circuit breaker tripped.	• Replace fuse or reset circuit breaker.
	Power surge.	• Unplug the microwave oven; then plug it back in.
	Plug not fully inserted into wall outlet.	• Make sure the 3-prong plug on the oven is fully inserted into wall outlet.
Floor of the oven is warm, even when the oven has not been used	The cooktop light is located below the oven floor. When the light is on, the heat it produces may make the oven floor get warm.	• This is normal.
"LOCKED" appears on the display	The control has been locked.	• Press and hold CLEAR/OFF for about 3 seconds to unlock the control.
"SENSOR ERROR" appears on the display	When using a Sensor feature, the door was opened before steam could be detected.	• Do not open door until steam is sensed and time is shown counting down on the display.
	Steam was not detected in maximum amount of time.	• Use Time Cook to heat for more time.
You hear an unusual, low-tone beep	You have tried to start the Reminder without a valid time of day.	• Start over and enter a valid time of day.
	You have tried to start the Auto Nite Light without a valid time of day entered for the on-time and off-time.	• Start over and enter a valid time of day.
	You have tried to change the power level when it is not allowed.	• Many of the oven's features are preset and cannot be changed.
Food amount too large for Sensor Reheat	Sensor Reheat is for single servings of recommended foods.	• Use Time Cook for large amounts of food.

Things That Are Normal With Your Microwave Oven

- Steam or vapor escaping from around the door.
- Light reflection around door or outer case.
- Dimming oven light and change in the blower sound at power levels other than high.
- Dull thumping sound while oven is operating.
- TV/radio interference might be noticed while using the microwave. Similar to the interference caused by other small appliances, it does not indicate a problem with the microwave. Plug the microwave into a different electrical circuit, move the radio or TV as far away from the microwave as possible, or check the position and signal of the TV/radio antenna.

Notes.

Safety Instructions

Operating Instructions

Troubleshooting Tips

Consumer Support

GE Service Protection Plus™

GE, a name recognized worldwide for quality and dependability, offers you Service Protection Plus™—comprehensive protection on all your appliances—**No Matter What Brand!**

Benefits Include:

- Backed by GE
- All brands covered
- Unlimited service calls
- All parts and labor costs included
- No out-of-pocket expenses
- No hidden deductibles
- One 800 number to call

***We'll Cover Any Appliance.
Anywhere. Anytime.****

You will be completely satisfied with our service protection or you may request your money back on the remaining value of your contract. No questions asked. It's that simple.

Protect your refrigerator, dishwasher, washer and dryer, range, TV, VCR and much more—**any brand!** Plus there's no extra charge for emergency service and low monthly financing is available. Even icemaker coverage and food spoilage protection is offered. You can rest easy, knowing that all your valuable household products are protected against expensive repairs.

Place your confidence in GE and call us in the U.S. toll-free at **800.626.2224** for more information.

*All brands covered, up to 20 years old, in the continental U.S.



Please place in envelope and mail to:

**General Electric Company
Warranty Registration Department
P.O. Box 32150
Louisville, KY 40232-2150**

Consumer Product Ownership Registration

Dear Customer:

Thank you for purchasing our product and thank you for placing your confidence in us. We are proud to have you as a customer!

Follow these three steps to protect your new appliance investment:

1 Complete and mail your Consumer Product Ownership Registration today. Have the peace of mind of knowing we can contact you in the unlikely event of a safety modification.

2 After mailing the registration below, store this document in a safe place. It contains information you will need should you require service. Our service number is 800.GE.CARES (800.432.2737).

3 Read your Owner's Manual carefully. It will help you operate your new appliance properly.

Model Number

Serial Number

_____	_____
-------	-------

Important: If you did not get a registration card with your product, detach and return the form below to ensure that your product is registered, or register online at www.GEAppliances.com.

✂ Cut here

Consumer Product Ownership Registration



Model Number

Serial Number

_____	_____
-------	-------

Mr. Ms. Mrs. Miss

First Name _____ Last Name _____

Street Address _____

Apt. # _____ E-mail Address* _____

City _____ State _____ Zip Code _____

Date Placed In Use
Month _____ Day _____ Year _____ Phone Number _____-_____-_____



GE Appliances

GE Consumer Products
General Electric Company
Louisville, Kentucky
www.GEAppliances.com

* Please provide your e-mail address to receive, via e-mail, discounts, special offers and other important communications from GE Appliances (GEA).
 Check here if you do not want to receive communications from GEA's carefully selected partners.

FAILURE TO COMPLETE AND RETURN THIS CARD DOES NOT DIMINISH YOUR WARRANTY RIGHTS.

For more information about GEA's privacy and data usage policy, go to www.GEAppliances.com and click on "Privacy Policy" or call 800.626.2224.

GE Microwave Oven Warranty.



All warranty service provided by our Factory Service Centers, or an authorized Customer Care® technician. To schedule service, on-line, 24 hours a day, visit us at www.GEAppliances.com, or call 800.GE.CARES (800.432.2737).

Staple your receipt here.
Proof of the original purchase date is needed to obtain service under the warranty.

For The Period Of:

GE Will Replace:

One Year

From the date of the original purchase

Any part of the microwave oven which fails due to a defect in materials or workmanship. During this **full one-year warranty**, GE will also provide, **free of charge**, all labor and related service costs to repair or replace the defective part.

Second Through Tenth Year

From the date of the original purchase

The magnetron tube, if the magnetron tube fails due to a defect in materials or workmanship. During this **additional nine-year limited warranty**, you will be responsible for any labor or related service costs.

What GE Will Not Cover:

- Service trips to your home to teach you how to use the product.
- Improper installation, delivery or maintenance.
- Failure of the product if it is abused, misused, or used for other than the intended purpose or used commercially.
- Replacement of the cooktop light bulbs.
- Replacement of house fuses or resetting of circuit breakers.
- Damage to the product caused by accident, fire, floods or acts of God.
- Incidental or consequential damage caused by possible defects with this appliance.
- Damage caused after delivery.

This warranty is extended to the original purchaser and any succeeding owner for products purchased for ordinary home use within the USA. In Alaska, the warranty excludes the cost of shipping or service calls to your home.

Some states do not allow the exclusion or limitation of incidental or consequential damages, so the above limitation or exclusion may not apply to you. This warranty gives you specific legal rights, and you may also have other rights which vary from state to state. To know what your legal rights are, consult your local or state consumer affairs office or your state's Attorney General.

Warrantor: General Electric Company, Louisville, KY 40225

Safety Instructions

Operating Instructions

Troubleshooting Tips

Consumer Support

Consumer Support.



GE Appliances Website

GEAppliances.com

Have a question or need assistance with your appliance? Try the GE Appliances Website 24 hours a day, any day of the year! For greater convenience and faster service, you can now download Owner's Manuals, order parts, catalogs, or even schedule service on-line. You can also "Ask Our Team of Experts™" your questions, and so much more...



Schedule Service

GEAppliances.com

Expert GE repair service is only one step away from your door. Get on-line and schedule your service at your convenience 24 hours any day of the year! Or call 800.GE.CARES (800.432.2737) during normal business hours.



Real Life Design Studio

GEAppliances.com

GE supports the Universal Design concept—products, services and environments that can be used by people of all ages, sizes and capabilities. We recognize the need to design for a wide range of physical and mental abilities and impairments. For details of GE's Universal Design applications, including kitchen design ideas for people with disabilities, check out our Website today. For the hearing impaired, please call 800.TDD.GEAC (800.833.4322).



Extended Warranties

GEAppliances.com

Purchase a GE extended warranty and learn about special discounts that are available while your warranty is still in effect. You can purchase it on-line anytime, or call 800.626.2224 during normal business hours. GE Consumer Home Services will still be there after your warranty expires.



Parts and Accessories

GEAppliances.com

Individuals qualified to service their own appliances can have parts or accessories sent directly to their homes (VISA, MasterCard and Discover cards are accepted). Order on-line today, 24 hours every day or by phone at 800.626.2002 during normal business hours.

Instructions contained in this manual cover procedures to be performed by any user. Other servicing generally should be referred to qualified service personnel. Caution must be exercised, since improper servicing may cause unsafe operation.



Contact Us

GEAppliances.com

If you are not satisfied with the service you receive from GE, contact us on our Website with all the details including your phone number, or write to:

General Manager, Customer Relations
GE Appliances, Appliance Park
Louisville, KY 40225



Register Your Appliance

GEAppliances.com

Register your new appliance on-line—at your convenience! Timely product registration will allow for enhanced communication and prompt service under the terms of your warranty, should the need arise. You may also mail in the pre-printed registration card included in the packing material.

Printed in Korea



Spacemaker XL

Horno Microondas

Instrucciones de seguridad2-9

Instrucciones de operación

Cambio el nivel de potencia13

Cómo reemplazar las bombillas35

Cuidado y limpieza33, 34

Función de extractor36, 37

Funciones automáticas20

Funciones de sensor21-24

Funciones de su horno de microondas11, 12

Funciones de tiempo14-19

Guía de cocción ...15, 16

Guía para descongelación18

Otras funciones ...25-31

Términos del microondas32

Antes de llamar al servicio de reparaciones38, 39

Cosas normales de su horno de microondas39

Soporte al consumidor

Garantía43

Kits opcionales10

Soporte al Consumidor ...Cubierta Trasera

Manual del Propietario

JVM3660
JVM3670

Anote aquí los números de modelo y de serie:

Número de modelo _____

Número de serie _____

Los encontrará en una etiqueta al abrir la puerta.



INSTRUCCIONES IMPORTANTES DE SEGURIDAD. LEA PRIMERO TODA LAS INSTRUCCIONES.

⚠ ¡PRECAUCIÓN!

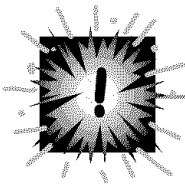
Por su seguridad, la información contenida en este manual debe seguirse para minimizar el riesgo de incendio, explosión, descarga eléctrica, exposición a energía microondas o para evitar daños a la propiedad, lesiones personales o pérdida de vida.

PRECAUCIONES PARA EVITAR POSIBLE EXPOSICIÓN A UNA EXCESIVA ENERGÍA DE MICROONDAS.



- **No Intente** operar este horno con la puerta abierta ya que esto podría resultar en una exposición a energía microondas dañina. Es importante no cancelar ni manipular de forma indebida los dispositivos de seguridad.
- **No Sitúe** ningún objeto entre la parte frontal del horno y la puerta ni permita que se acumule suciedad o residuos limpios en las gomas de cierre hermético.
- **No Use** el horno si está dañado. Es especialmente importante que la puerta del horno se cierre correctamente y que no se dañe:
 - 1 la puerta (doblada),
 - 2 bisagras y pasadores (rotos o sueltos),
 - 3 sellos de la puerta y gomas de cierre hermético.
- **El horno no debería** ajustarse ni repararse por nadie que no sea personal de servicio adecuadamente calificado.

INSTRUCCIONES IMPORTANTES DE SEGURIDAD.



Quando use electrodomésticos, debe seguir precauciones de seguridad básicas, incluyendo las siguientes:

- Lea y obedezca las precauciones específicas en la sección de *Precauciones para evitar posible exposición a una energía excesiva de microondas* de arriba.
- Este electrodoméstico debe estar conectado a tierra. Conéctelo sólo a una toma de corriente con toma de tierra. Vea la sección de *Instrucciones de toma de tierra* en la página 8.
- Instale o coloque este electrodoméstico siguiendo sólo las Instrucciones de Instalación provistas.
- Este horno de microondas está listado por UL para ser instalado sobre estufas eléctricas y de gas en rangos.
- Este horno de microondas no ha sido aceptado ni probado para uso marino.

Use este aparato sólo para los fines que se describen en este manual.

- No monte este electrodoméstico sobre un fregadero.
- Este horno puede instalarse encima de la cocina y está diseñado para su uso sobre cocinas encimeras no más anchas de 36". Puede instalarse sobre equipos para cocinar de gas o eléctricos.
- No usar este electrodoméstico si el cable de corriente o el enchufe han sufrido algún daño, si no funciona correctamente o si ha resultado dañado o se ha caído. Si el cable de corriente ha sido dañado, debe ser reemplazado por el Servicio Reparaciones de General Electric (GE Service) o un agente de reparaciones autorizado empleando un cable de corriente que General Electric tiene a su disposición.
- No cubra ni bloquee ninguna apertura de este electrodoméstico.
- Use este aparato sólo para los fines que se describen en este manual. No use productos químicos ni vapores corrosivos en este electrodoméstico. Este horno microondas está específicamente diseñado para calentar, secar o cocinar comida y no para su uso industrial o en laboratorio.
- No almacene este electrodoméstico al aire libre. No use este producto cerca del agua—por ejemplo, en un sótano mojado, cerca de una alberca, cerca de un fregadero o en lugares similares.
- Mantenga el cable de corriente alejado de superficies calientes.
- No sumerja el cable de corriente ni el enchufe en agua.
- Para reducir el riesgo de incendio en la apertura del horno:
 - No cocine demasiado la comida. Preste atención cuidadosa al electrodoméstico cuando se coloca papel, plástico u otro material combustible en el horno mientras se cocina.
 - Quite las cintas de cierre con metal y las asas metálicas de los recipientes de papel o plástico antes de introducirlos en el horno.
 - No almacene cosas en el horno. No deje productos de papel, utensilios de cocinar ni comida en el horno mientras no lo esté usando.
 - Si se incendiara algún material dentro, mantenga la puerta del horno cerrada, apague el horno y desconecte el cable de corriente eléctrica, o apague la corriente en el fusible o panel del diferencial. Si se abre la puerta el fuego podría expandirse.
 - No utilice las características de Sensor dos veces consecutivas en la misma porción de comida. Si la comida no se ha cocinado por completo después de la primera cuenta regresiva, use la función **Time Cook** para tiempo de cocción adicional.
- Revise las instrucciones de limpieza de la superficie de la puerta en la sección *Cuidado y limpieza del horno microondas* de este manual.
- Las reparaciones de este electrodoméstico deberían ser realizadas sólo por personal cualificado. Póngase en contacto con el centro de servicio autorizado más cercano para su revisión, reparación o ajuste.
- El uso de cualquier electrodoméstico por parte de niños debería ser supervisado de cerca por un adulto.
- No almacene nada directamente encima de la superficie del microondas cuando esté en operación.

INSTRUCCIONES IMPORTANTES DE SEGURIDAD. LEA PRIMERO TODA LAS INSTRUCCIONES.

⚠ ¡PRECAUCIÓN!



FORMACIÓN DE ARCO ELÉCTRICO

Si ve que se forman arcos eléctricos, presione el botón **CLEAR/OFF** (borrar/apagado) y resuelva el problema.

Arco eléctrico es lo que, en la terminología de los microondas, describe las chispas en el horno.

El arco eléctrico se produce cuando:

- El estante metálico no está instalado correctamente y toca la pared del microondas.
- Hay un metal o papel de aluminio tocando el lateral del horno.
- El papel de aluminio no está envolviendo bien la comida (hay bordes doblados hacia arriba que actúan como antenas.)
- Hay algún metal, como cintas de cierre con metal, pinchos de pollo, o platos con decoración de oro dentro del microondas.
- Se está usando papel toalla reciclado que contienen pequeñas porciones de metal en el microondas.



COMIDAS

- No haga rosetas o palomitas de maíz en el microondas a no ser que esté usando un accesorio especial para prepararlas o que esté empleando rosetas o palomitas de maíz que indiquen ser válidas para el uso de hornos microondas.
- Algunos productos como las yemas de huevo y recipientes sellados—por ejemplo, jarras cerradas—podrían explotar y no deben calentarse en el horno microondas. Si se usa de esa forma el horno microondas pueden causarse daños personales.
- No hierva huevos dentro de un horno microondas. Se generará presión dentro de la yema del huevo que causará que explote pudiendo, posiblemente, dañar a alguien.
- Si se pone en marcha el microondas sin tener comida en su interior por más de un minuto o dos podrían causarse daños al horno y podría empezar un fuego. Esto hace aumentar la temperatura alrededor del magnetrón y puede reducir el período de vida útil del horno.
- Debería cortarse la “piel” externa de aquellos alimentos que no la tengan rota como las papas, salchichas, embutidos, tomates, manzanas, hígados de pollo y demás menudillos de aves y yemas de huevos, para permitir la salida de vapor mientras se cocinan.

■ AGUA SOBRECALENTADA

Líquidos, tales como agua, café, o té, se podrían sobrecalentar más allá del punto de ebullición sin parecer que estén hirviendo. No siempre habrá burbujas o evidencia de que el líquido está hirviendo cuando se extrae el envase con el líquido del microondas. **ESTO PODRÍA RESULTAR EN LÍQUIDOS MUY CALIENTES DE REPENTE COMENZANDO A HERVIR Y A REBOSARSE CUANDO EL ENVASE ES MOVIDO O SI UNA CUCHARA U OTRO UTENSILIO SE LE INTRODUCE AL LÍQUIDO.**

Para reducir el riesgo de lesiones personales:

- No sobrecaliente los líquidos.
- Mueva el líquido tanto antes como a mediados del tiempo de calentamiento.
- No use envases de lados rectos con cuellos estrechos.
- Después del calentamiento, permita que el envase permanezca en el microondas por un tiempo corto antes de remover el envase.
- Use cuidado extremo cuando inserte una cuchara u otro utensilio en el envase.
- No caliente la comida del bebé en jarras de cristal, incluso si están destapadas. Asegúrese de que los alimentos de los niños estén bien cocinados. Remueva la comida para distribuir el calor de forma pareja. Tenga cuidado de que el niño no se queme al calentar la leche de fórmula. El contenedor puede parecer más frío de lo que realmente está la fórmula. Pruebe siempre la fórmula antes de dársela al bebé.

- No descongele bebidas congeladas en botellas de cuello estrecho (especialmente bebidas carbonatadas). Incluso con el contenedor abierto, podría generarse un aumento de presión. Esto puede causar que el contenedor explote, lo cual podría producir daños personales.
- Los alimentos calientes y el vapor pueden causar quemaduras. Tenga cuidado al abrir cualquier contenedor con comida caliente, incluso bolsas de rosetas o palomitas de maíz, bolsas o cajas de cocinar. Para prevenir posibles daños personales, mantenga el vapor alejado de sus manos y rostro.
- No cocine demasiado las papas. Podrían deshidratarse e incendiarse, causando daños a su horno.
- Cocine la carne y el pollo por completo—la carne hasta que alcance una temperatura mínima INTERIOR de 160°F, y el pollo hasta una temperatura INTERNA mínima de 180°F. Cuando se cocinan a estas temperaturas se evita la contracción de enfermedades por intoxicación.

INSTRUCCIONES IMPORTANTES DE SEGURIDAD. LEA PRIMERO TODA LAS INSTRUCCIONES.

⚠ ¡PRECAUCIÓN!



UTENSILIOS DE COCINA PARA MICROONDAS

Asegúrese de que todos los utensilios de cocina que use en su horno sean aptos para microondas. Pueden usarse la mayoría de las cazuelas, platos para cocinar, tazas de medir, tazas de flanes y botes de cristal, o las vajillas de porcelana que no tienen decoraciones metálicas o barnices con brillo metálico. Algunos utensilios tienen la siguiente inscripción: "puede usarse en microondas."

- Si no está seguro de que un plato pueda usarse en el microondas, haga esta prueba: Coloque el plato que esté probando y un vaso de medir con 237 ml (1 taza) de agua en el horno – ponga la taza de medir dentro o al lado del plato. Ponga el microondas en marcha, a máxima potencia, durante 30–45 segundos. Si el plato se calienta, no debería usarse en el microondas.

Si el plato se mantiene frío y sólo se calienta la taza, entonces el plato puede usarse de forma segura en el microondas.

- Si usa un termómetro de carne al cocinar, asegúrese que sea uno seguro para usarse en hornos microondas.
- No use productos de papel reciclado. El papel toalla, las servilletas y el papel de cera reciclados pueden contener

motas metálicas que podrían causar la formación de arcos eléctricos o incendiarse.

Los productos de papel que contengan nilón o filamentos de nilón tampoco deberían usarse ya que se podrían incendiar de igual modo.

- Algunas bandejas de plástico (como en las que se empaqueta la carne) tienen una cinta fina de metal incrustada en el plato. Al ponerse en el microondas, el metal puede quemar el suelo del horno o incendiar un papel toalla.
- No use su horno microondas para secar periódicos.
- No todo film plástico puede usarse en hornos microondas. Revise el uso adecuado del paquete.
- Pueden usarse papel toalla, papel encerado y film plástico para los recipientes de forma que retengan la humedad y para prevenir salpicaduras. Asegúrese de proveer una forma de ventilación para que el vapor pueda escapar del film plástico.
- Podrían calentarse los utensilios por el calor transferido por los alimentos calientes. Puede necesitar usar manoplas de cocina para manejar los utensilios.

- Las bolsas de cocinar que puedan hervir y cualquier bolsa de plástico firmemente cerrada, deberían cortarse, pincharse o proveer cualquier tipo de ventilación que indique el paquete. En caso contrario, el plástico podría explotar mientras se cocina o después, pudiendo causar daños físicos. Además, los recipientes de plástico deberían permanecer, al menos, parcialmente destapados ya que pueden sellarse fuertemente. Cuando cocine con recipientes firmemente cubiertos con film plástico, retire la cubierta con cuidado y mantenga el vapor alejado de sus manos y rostro.
- Use papel de aluminio sólo de la forma detallada en este manual. Las comidas rápidas preparadas pueden meterse en el microondas en bandejas de aluminio de menos de 3/4" de altura. Quite la cubierta de aluminio y vuélvalas a poner dentro de la caja. Cuando use aluminio dentro de un horno microondas, mantenga el aluminio, al menos, a una pulgada de distancia de los laterales del horno.

- Utensilios de plástico— Los utensilios de plástico diseñados para su uso en microondas son muy prácticos, pero deben usarse con cuidado. Incluso aquellos utensilios autorizados para su uso en microondas podrían no ser tan tolerantes como el cristal o los materiales de cerámica en condiciones de sobrecalentamiento y podrían ablandarse o carbonizarse al someterlos a períodos cortos de sobrecalentamiento. En exposiciones más largas a sobrecalentamiento, la comida y los utensilios podrían incendiarse.

Siga estas normas:

- 1 Use solamente plásticos aptos para microondas y úselos siguiendo estrictamente las recomendaciones del fabricante de los utensilios.
- 2 No introduzca en el microondas recipientes vacíos.
- 3 No permita que los niños usen utensilios de plástico sin completa supervisión.

INSTRUCCIONES IMPORTANTES DE SEGURIDAD. LEA PRIMERO TODA LAS INSTRUCCIONES.

⚠ ¡ADVERTENCIA!

El uso indebido del enchufe de tierra puede resultar en riesgo de descarga eléctrica.



INSTRUCCIONES DE TOMA DE TIERRA

Este electrodoméstico debe estar conectado a tierra. Si se produjera un cortocircuito, la toma de tierra reduce el riesgo de descarga eléctrica al proveer un cable de escape para la corriente eléctrica.

Este electrodoméstico está equipado con un cable de corriente que dispone de un hilo para toma de tierra con un enchufe con toma de tierra. El enchufe debe estar conectado a una toma de corriente que esté debidamente instalada y con salida a tierra.

Consulte con un electricista cualificado o un técnico de reparaciones si no entiende completamente las instrucciones sobre la toma de tierra, o si tuviese alguna duda sobre si su aparato está debidamente conectado a tierra.

Si la toma de corriente es un modelo estándar de dos clavijas, es su responsabilidad personal y su obligación el reemplazarla por una toma adecuada para tres clavijas con conexión a tierra.

Bajo ninguna circunstancia debe cortar o quitar la tercera clavija (tierra) del cable de corriente.

No use un enchufe adaptador con este electrodoméstico.

No use un cable extensor de corriente con este electrodoméstico.

Si el cable de corriente es demasiado corto, haga que un electricista cualificado o un técnico de reparaciones instalen una toma de corriente cerca del electrodoméstico.

Para un mejor funcionamiento, enchufe este electrodoméstico en una toma de corriente exclusiva para evitar parpadeos de luz, fusibles quemados o que salte el diferencial.

EL VENTILADOR EXTRACTOR

El ventilador se pondrá en funcionamiento de forma automática bajo ciertas circunstancias (ver función de Ventilador Automático). Prevenga el que empiece algún fuego al cocinar y que se extienda mientras el ventilador del respiradero está en marcha.

- Limpie a menudo la parte inferior del microondas. No permita que se acumule grasa en el microondas o en los filtros del ventilador.
- Si la grasa se incendiara en las unidades de la cocina (fogones) bajo el horno microondas, sofóque cualquier sartén en llamas de la unidad de cocina por completo con una tapa, una bandeja de galletas o cualquier otra bandeja plana.
- Tenga cuidado al limpiar los filtros del ventilador extractor. Los productos de limpieza corrosivos, como los limpia-hornos a base de lejía, pueden dañar los filtros.
- Ponga en marcha el extractor cuando esté cocinando comidas con llama bajo el microondas.
- Nunca deje las unidades de la cocina (fogones) bajo su microondas sin atención cuando se esté trabajando a altas temperaturas. Cuando la comida entra en ebullición se generan humos y se derraman grasas que pudieran incendiarse y propagarse si el ventilador del microondas está funcionando. Para minimizar el funcionamiento del extractor automático, use utensilios de cocina de tamaño adecuado y use el fuego rápido en las unidades de la cocina (fogones) sólo cuando sea necesario.

*FAVOR DE LEER Y SEGUIR
CUIDADOSAMENTE ESTA
INFORMACIÓN DE SEGURIDAD.*

GUARDE ESTAS INSTRUCCIONES



Kits opcionales.

KITS OPCIONALES

Kits de filtros

JX81B – Kit de filtro de carbón vegetal de recirculación

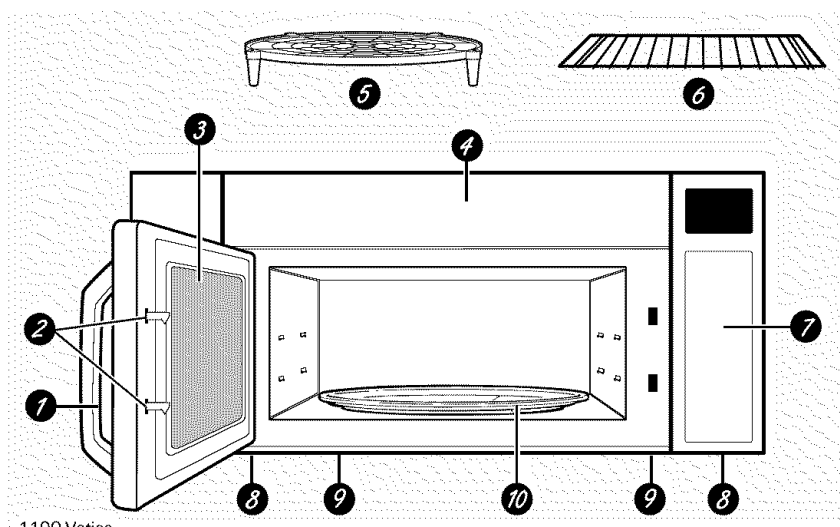
Los kits de filtros se usan cuando el horno no puede tener una salida al exterior.

Disponibles en su distribuidor GE por un costo adicional.

Acerca de las funciones de su horno de microondas.

www.GEAppliances.com

Su modelo puede tener otras características y apariencia que las ilustradas en este manual.



~1100 Vatios

Funciones del horno

- 1 Mango de la puerta.** Tire de ella para abrir la puerta. La puerta debe estar debidamente cerrada para que el microondas funcione.
- 2 Enganches de la puerta.**
- 3 Ventanilla con cobertura metálica.** La pantalla permite que usted pueda ver lo que cocina, al tiempo que mantiene las microondas confinadas en el horno.
- 4 Ventilación activa (en algunos modelos).** La puerta de ventilación gira y queda abierta cuando el ventilador comienza a funcionar y se cierra cuando el ventilador para de funcionar.
- 5 Estante de descongelado.** Cuando se encuentre descongelando, para mejores resultados, coloque los alimentos directamente sobre el estante de descongelado y coloque el estante en el plato giratorio.
- 6 Estante.** Le permite cocinar en el microondas varios alimentos al mismo tiempo. Los alimentos se cocinan mejor cuando están colocados directamente en el plato giratorio.
- 7 Panel de visualización de control de toque.**
- 8 Luces de la estufa.**
- 9 Filtros para grasa.**
- 10 Plato móvil.** El plato giratorio y el apoyo **deben estar** colocados en su lugar cuando usted esté usando el horno. El plato giratorio puede ser removido para limpiarlo.

NOTA: El plato, las ventanillas de ventilación y la luz del microondas se encuentran localizados en las paredes internas del horno de microondas.

Seguridad

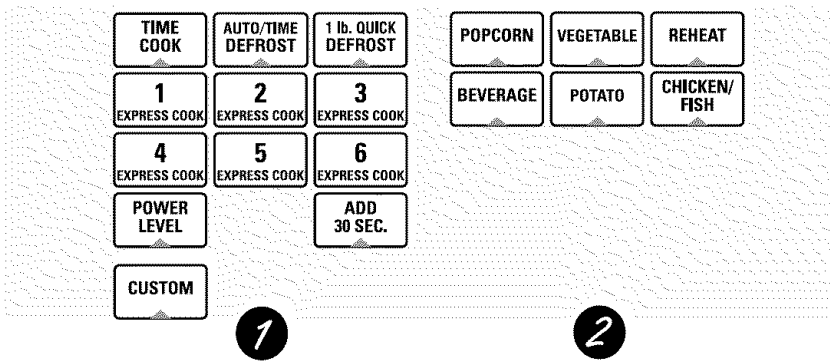
Operación

Solucionar problemas

Soporte al consumidor

Acerca de las funciones de su horno de microondas.

Usted puede cocinar alimentos en su microondas auxiliándose del tiempo, con los sensores, o con las funciones automáticas.



Controles de cocción

1 Funciones del tiempo y automáticas

Presione	Entre
TIME COOK I & II (cocción por tiempo I & II) Presione una o dos veces	Cocción por tiempo
AUTO/TIME DEFROST (descongelación autom./de tiempo) Presione dos veces	Cantidad de tiempo de descongelación
CUSTOM (función para ajustes personales)	Siga las instrucciones en la pantalla
EXPRESS COOK (cocción expresa)	¡Comienza inmediatamente!
ADD 30 SEC (agregar 30 segundos)	¡Comienza inmediatamente!
POWER LEVEL (nivel de potencia)	Nivel de potencia entre 1-10
AUTO/TIME DEFROST (descongelación autom./de tiempo) Presione una vez	Peso del alimento hasta 6 libras
1 lb. QUICK DEFROST (descongelación rápida de 1 libra)	¡Comienza inmediatamente!

2 Funciones de sensores

Presione	Entre	Opción
POPCORN (rosetas de maíz)	¡Comienza inmediatamente!	Más/menos tiempo
BEVERAGE (bebidas)	¡Comienza inmediatamente!	
REHEAT (recalentar)	¡Comienza inmediatamente!	Más/menos tiempo
POTATO (papas)	¡Comienza inmediatamente!	Más/menos tiempo
VEGETABLE (vegetales)	¡Comienza inmediatamente!	
Presione una vez (vegetales frescos)		Más/menos tiempo
Presione dos veces (vegetales congelados)		Más/menos tiempo
Presione tres veces (vegetales enlatados)		Más/menos tiempo
		(en algunos modelos)
CHICKEN/FISH (pollo/pescado)	¡Comienza inmediatamente!	Más/menos tiempo
Presione una vez (pedazos de pollo)		
Presione dos veces (pescado)		



Los niveles de potencia variables amplían sus posibilidades de cocción en el microondas. Los niveles de potencia en el horno de microondas pueden ser comparados con las unidades de superficie en un rango. Alto (nivel de potencia 10) o a capacidad máxima es la forma más rápida de cocinar y le da un 100% de potencia. Cada nivel de potencia le proporciona energía microondas un cierto porcentaje del tiempo. El nivel de potencia 7 es energía microondas 70% del tiempo. El nivel de potencia 3 es energía microondas 30% del tiempo.

Un ajuste alto (10) cocina más rápidamente, pero quizás su alimento necesite ser movido o girado más frecuentemente. La mayoría de sus cocciones serán hechas en Alto (High), en el nivel de potencia 10. Los ajustes más bajos cocinan con mayor uniformidad y el alimento no necesita ser movido o girado tan frecuentemente.

Algunos alimentos quizás tengan un mejor sabor, una mejor textura o una apariencia más atractiva si se usan ajustes menores. Use un nivel menor de potencia cuando cocine alimentos que tienden a hervir, como papas al gratén.

Los períodos de descanso (cuando los ciclos de energía del microondas están suspendidos) dan tiempo a los alimentos a que se "ecualicen" o a que transfieran calor hacia los alimentos cercanos. Un ejemplo de esto es mostrado con el nivel de potencia 3 —con el ciclo de descongelación. Si la energía del microondas no descansó, la parte externa de los alimentos se cocinará antes de que el centro se haya descongelado.

A continuación le presentamos algunos ejemplos de la forma en que se usan los varios niveles de potencia.

Nivel de potencia	Mejores usos
Alto 10 (High)	Pescado, tocino, vegetales, líquidos hervidos.
Alto medio 7 (Med-High)	Cocción leve de carnes y aves; guisos y alimentos recalentados.
Medio 5 (Medium)	Cocción lenta y suave, como estofados y alimentos ligeros.
Bajo 2-3 (Low)	Descongelación sin cocción; alimentos hervidos a fuego lento, salsas delicadas.
Tibio 1 (Warm)	Para mantener alimentos tibios sin cocinarlos demasiado; para suavizar o derretir mantequilla.

Cómo cambiar los niveles de potencia

Los niveles de potencia pueden ser registrados o cambiados inmediatamente después de haber registrado la función de tiempo para **TIME COOK** (cocción por tiempo), **TIME DEFROST** (tiempo de descongelación), **EXPRESS COOK** (cocción expresa) o **ADD 30 SEC** (agregue 30 segundos). El nivel de potencia también puede ser cambiado durante el conteo regresivo del tiempo.

- 1 Presione **TIME COOK** (cocción por tiempo) o seleccione el **Time Defrost** (tiempo de descongelación).
- 2 Registre el tiempo de cocción o descongelación.
- 3 Presione **POWER LEVEL** (nivel de potencia).
- 4 Seleccione el nivel de potencia deseado del 1 al 10.
- 5 Presione **START** (inicio).

Acerca de las funciones de tiempo.



Cocción por tiempo I

Le permite cocinar por cualquier lapso hasta 99 minutos y 99 segundos.

El nivel de potencia 10 (Alto) está ajustado automáticamente, pero usted puede cambiarlo si desea mayor flexibilidad.

Usted puede abrir la puerta durante el **TIME COOK** (cocción por tiempo) para inspeccionar el alimento. Cierre la puerta y presione **START** (inicio) para reiniciar la cocción.

Cocción por tiempo II

Le permite cambiar los niveles de potencia automáticamente durante la cocción. A continuación la forma en que se hace:

- 1 Presione **TIME COOK** (cocción por tiempo).
- 2 Entre el primer tiempo de cocción.
- 3 Cambie el nivel de potencia si usted no desea usar el nivel por defecto. (Presione **POWER LEVEL** [nivel de potencia]. Seleccione un nivel de potencia deseado de 1 a 10).
- 4 Presione **START** (inicio).

- 1 Presione **TIME COOK** (cocción por tiempo).
- 2 Entre el primer tiempo de cocción.
- 3 Cambie el nivel de potencia si usted no desea usar el nivel por defecto. (Presione **POWER LEVEL** (nivel de potencia). Seleccione un nivel de potencia deseado de 1 a 10).
- 4 Presione **TIME COOK** (cocción por tiempo) otra vez.
- 5 Entre el segundo tiempo de cocción.
- 6 Cambie el nivel de potencia si no desea usar el máximo. (Presione **POWER LEVEL** (nivel de potencia). Seleccione un nivel de potencia de 1 a 10).
- 7 Presione **START** (inicio).

Al final de **Time Cook I**, **Time Cook II** comienza una cuenta regresiva.

Guía de cocción para Cocción por tiempo I y Cocción por tiempo II**NOTA:** Use el nivel de potencia máxima (High) (10) a no ser que se indique lo contrario.

Vegetales	Cantidad	Tiempo	Comentarios
Espárragos			
(frescos)	1 lb.	De 6 a 9 min. Med-Alto (7)	En platos de hornear oblongos de 1½ cuartos, coloque 1/4 de una taza de agua.
(congelados)	Paquete de 10 onzas	De 5 a 7 min.	Cazuelas de 1 cuarto.
Frijoles			
(verdes frescos)	1 lb., cortados por la mitad	De 9 a 11 min.	En cazuelas de 1½ cuartos, coloque 1/2 taza de agua.
(verdes congelados)	Paquete de 10 onzas	De 6 a 8 min.	En cazuelas de 1 cuarto de libras, coloque 2 cucharas de agua.
(blancos congelados)	Paquete de 10 onzas	De 6 a 8 min.	En cazuelas de 1 cuarto de libras, coloque 1/4 taza de agua.
Remolacha			
(fresca, entera)	1 manojo	De 17 a 21 min.	En cazuelas de 2 cuartos, coloque 1/2 taza de agua.
Brocoli			
(fresco)	1 manojo (De 1¼ al 1½ lbs.)	De 7 a 10 min.	En cazuelas de 2 cuartos, coloque 1/2 taza de agua.
(espárragos frescos)	1 manojo (De 1¼ al 1½ lbs.)	De 9 a 13 min.	En platos de hornear oblongos de 2 cuartos, coloque 1/4 de una taza de agua.
(cortado en pedazos, congelados)	Paquete de 10 onzas	De 5 a 7 min.	Cazuelas de 1 cuarto.
(espárragos congelados)	Paquete de 10 onzas	De 5 a 7 min.	En cazuelas de 1 cuarto, coloque 3 cucharas de agua.
Repollo			
(fresco)	Una cabeza mediana (2 libras aprox.)	De 8 a 11 min.	En cazuelas de 1½ ó 2 cuartos, coloque 1/4 de una taza de agua.
(picado)		De 7 a 10 min.	En cazuelas de 2 o 3 cuartos, coloque 1/4 de una taza de agua.
Zanahorias			
(frescas, picadas)	1 lb.	De 7 a 9 min.	En cazuelas de 1½ cuartos, coloque 1/4 de una taza de agua.
(congeladas)	Paquete de 10 onzas	De 5 a 7 min.	En cazuelas de 1 cuarto, coloque 2 cucharadas de agua.
Coliflor			
(en florecimiento)	Una cabeza mediana	De 9 a 14 min.	En cazuelas de 2 cuartos, coloque 1/2 taza de agua.
(entero, fresco)	Una cabeza mediana	De 10 a 17 min.	En cazuelas de 2 cuartos, coloque 1/2 taza de agua.
(congelado)	Paquete de 10 onzas	De 5 a 7 min.	En cazuelas de 1 cuarto, 2 cucharadas de agua.

Acerca de las funciones de tiempo.

Vegetales	Cantidad	Tiempo	Comentarios
Maíz			
(congelados)	Paquete de 10 onzas	De 5 a 7 min.	En cazuelas de 1 cuarto de libras, coloque 2 cucharadas de agua.
Maíz en mazorca			
(verdes frescos)	De 1 a 5 mazorcas	De 3 a 4 min. por mazorca	Coloque el maíz en un plato de hornear oblongo de 2 cuartos. Si el maíz está en mazorcas no use agua, si ha sido desgranado agregue 1/4 de agua. Cambie de posición después de transcurrido la mitad del tiempo.
(congelados)	1 mazorca	De 5 a 6 min.	Coloque el maíz en un plato de hornear oblongo de 2 cuartos.
	De 2 a 6 mazorcas	De 3 a 4 min. por mazorcas	Cubra con una envoltura plástica. Cambie de posición después de transcurrido la mitad del tiempo.
Vegetales mezclados			
(congelados)	Paquete de 10 onzas	De 5 a 7 min.	En cazuelas de 1 cuarto, coloque 3 cucharadas de agua.
Chícharos o guisantes			
(frescos sin vainas)	2 lbs., en sus vainas	De 9 a 12 min.	En cazuelas de 1 cuarto, coloque 1/4 taza de agua.
(congelados)	Paquete de 10 onzas	De 5 a 7 min.	En cazuelas de 1 cuarto, coloque 2 cucharadas de agua.
Papas			
(frescas, cubitos, blancas)	4 papas (de 6 a 8 oz. cada uno)	De 9 a 12 min.	Pele y corte en cubitos de 1 pulgada. En cazuelas de 2 cuartos, coloque 1/2 taza de agua. Mueva después de transcurrido la mitad del tiempo.
(frescas, entera, dulce o blanca)	1 (de 6 a 8 oz.)	De 3 a 4 min.	Perfore con tenedor de cocina. Coloque en el centro del horno. Déjelo descansar por 5 minutos.
Espinaca			
(fresca)	De 10 a 16 oz.	De 5 a 7 min.	Coloque la espinaca lavada en una cazuela de 2 cuartos.
(congelada, cortada y hojas)	Paquete de 10 onzas	De 5 a 7 min.	En cazuelas de 1 cuarto, coloque 3 cucharadas de agua.
Calabaza			
(fresca, verano y amarilla)	1 lb. cortada en tajadas	De 5 a 7 min.	En cazuelas de 1/2 cuartos, coloque 1/4 taza de agua.
(invierno, calabaza)	De 1 a 2 calabazas (cerca de 1 lb. cada uno)	De 8 a 11 min.	Corte por la mitad y remueva membranas fibrosas. En un plato de hornear oblongo de 2 cuartos, coloque la calabaza con la parte cortada orientada hacia abajo. Cambie posición de 4 minutos.



Tempo de descongelación (TIME DEFROST)

Le permite descongelar por los lapsos que usted seleccione. Ver la Guía de Descongelado para los lapsos sugeridos.

El nivel de potencia 3 viene preseleccionado, pero usted puede cambiarlo para mayor flexibilidad. Usted puede descongelar artículos pequeños más rápidamente aumentando el nivel de potencia después de seleccionar el tiempo. Sin embargo, éstos necesitarán más atención de lo usual.

El nivel de potencia 7 reduce el tiempo de descongelamiento en la mitad; el nivel de potencia 10 reduce el tiempo total en aproximadamente 1/3. Rote y gire el alimento frecuentemente.

Es posible que usted escuche un sonido sordo durante el proceso de descongelamiento. Este sonido es normal cuando el horno no está operando a plena capacidad.

Ideas sobre el descongelamiento

- Para mejores resultados, coloque los alimentos directamente sobre el estante de descongelado y coloque el estante en el plato giratorio.
- Los alimentos congelados en papel o plástico pueden ser descongelados en el interior de los mismos. Los paquetes que estén herméticamente cerrados deben ser perforados o ventilados DESPUÉS de que hayan sido parcialmente descongelados. Los envases plásticos deben estar por lo menos parcialmente abiertos.
- Los alimentos empaquetados congelados de tamaño familiar pueden ser descongelados y cocinados en el microondas. Si el alimento está envuelto en papel de aluminio, transféralo a un plato de microondas.
- No permita que alimentos que se dañan fácilmente, como leche, huevos, pescado, rellenos, carnes de aves y cerdo queden a la intemperie por más de una hora después de haber sido descongelados. La temperatura ambiental promueve el crecimiento de bacteria nociva.
- Para lograr un descongelamiento más uniforme en caso de carnes, cordero y ternero, use **Auto Defrost** (Descongelación automática).
- Cerciórese de que pedazos de carne grandes estén totalmente descongelados antes de cocinarlos.
- Cuando estén descongelados, los alimentos deben estar fríos pero uniformemente suaves. Si aún están ligeramente congelados, regréselos al microondas por un lapso corto, o déjelos a la intemperie por unos minutos.

1 Presione **AUTO/TIME DEFROST** dos veces.

2 Entre el tiempo de descongelación.

3 Presione **START** (inicio).

Acerca de las funciones de tiempo.

Guía de descongelamiento

Alimento	Tiempo	Comentarios
Panes, tortas, pan, panecillos (1 pedazo)	1 min.	
Panecillos dulces (Aprox. 12 onzas)	De 3 a 5 min.	
Pescados y filete de mariscos, mariscos congelados (1 libra), pedazos pequeños (1 libra)	De 6 a 8 min. De 5 a 7 min.	Coloque los pedazos en una cacerola. Voltee y desmembre después de transcurrido la mitad del tiempo.
Frutas Bolsas plásticas – de 1–2 (paquetes de 10 onzas)	De 3 a 6 min.	
Carnes Tocino (1 libra)	De 2 a 5 min.	Coloque el paquete no abierto en el horno. Déjelo descongelar por 5 minutos.
Perritos calientes (salchichas) (1 libra)	De 2 a 5 min.	Coloque el paquete no abierto en el horno. Cocine en el microondas hasta que se puedan separar. Déjelos reposar por 5 minutos, si es necesario, para completar la descongelación.
Carne molida (1 libra)	De 5 a 7 min.	Voltéela después de haber transcurrido la mitad del tiempo.
Trozos de carne para asar, cordero, ternero, cerdo	12 a 16 min. por libra	Use el nivel de potencia 1.
Bistec, chuleta, croqueta	De 5 a 7 min. por libra	Coloque la carne sin la envoltura en el plato de cocción. Voltéela después de haber transcurrido la mitad del tiempo y proteja las áreas cálidas con una envoltura. Cuando termine, separe los pedazos y deje que se descongele totalmente.
Carne de aves Pollos, cortado para freír o asar a la parrilla (de 2½ a 3 libras)	De 15 a 19 min.	Coloque el pollo envuelto en un plato. Desenvuelva y voltee después de haber transcurrido la mitad del tiempo. Cuando haya terminado, separe los pedazos y cocine en el microondas de 2 a 4 minutos adicionales, si es necesario. Déjelo hasta que termine de descongelarse.
Pollo entero (de 2½ a 3 libras)	De 17 a 21 min.	Coloque el pollo envuelto en un plato. Después de haber transcurrido la mitad del tiempo, desenvuélvalo y voltee. Proteja las áreas cálidas con una envoltura. Termine de descongelar. Si es necesario, deje caer agua fría en las cavidades hasta que los menudillos puedan ser removidos.
Gallina pequeña	De 7 a 13 min.	Coloque la gallina desenvuelta en el horno con por libra la pechuga hacia arriba. Después de haber transcurrido la mitad del tiempo, voltee. Si es necesario, deje caer agua fría en las cavidades hasta que los menudillos puedan ser removidos.
Pechuga de pavo (de 4 a 6 libras)	De 5 a 9 min. por libra	Coloque la pechuga desenvuelta en el plato con la pechuga hacia abajo. Después de haber transcurrido la mitad del tiempo, voltee y proteja las áreas cálidas con una envoltura. Termine de descongelar. Deje por 1 ó 2 horas en el refrigerador para completar la descongelación.



Cocción Expresa (EXPRESS COOK)

Esta es una forma rápida de ajustar el cocción por tiempo de 1 a 6 minutos.

Presione uno de los botones de **EXPRESS COOK** (cocción expresa) (de 1 a 6) para un cocción por tiempo de 1 a 6 minutos en **el nivel de potencia 10**. Por ejemplo, presione el botón **2** para 2 minutos de cocción por tiempo.

El nivel de potencia puede ser cambiado durante el conteo regresivo. Presione el **POWER LEVEL** (nivel de potencia) y entre un valor entre 1 y 10.



Añada 30 segundos (ADD 30 SEC.)

Usted puede usar esta función de dos formas diferentes:

- La misma agrega 30 segundos al tiempo de conteo regresivo cada vez que el botón es presionado.
- Puede ser usado como una manera rápida para ajustar 30 segundos de cocción por tiempo.

Acerca de la función automática.



- 1 Presione **AUTO/TIME DEFROST** (Descongelación Automática/de Tiempo) una vez para **Descongelación Automática**.
- 2 Usando la Guía de Conversión en la tabla de la derecha, entre el peso del alimento. Por ejemplo, presione los botones 1 y 2 para 1,2 libras (1 libra, 3 onzas). Entre el peso hasta 6 libras para **Descongelación Automática**.
- 3 Presione **START** (inicio).

Descongelación Automática (AUTO DEFROST)

La Descongelación Automática (**Auto Defrost**) ajusta los tiempos de descongelación y los niveles de potencia para proporcionar resultados de descongelación uniformes para carnes, aves y pescados que pesen hasta seis libras.

- Para mejores resultados, remueva los alimentos de su empaquetadura, coloque directamente sobre el estante de descongelado y coloque el estante en el plato giratorio.
- Dos veces durante la Descongelación Automática (**Auto Defrost**), el horno hace una señal para Cambiar la Posición del alimento (**Turn Food Over**). Ante la ocurrencia de cada señal, voltee el alimento. Remueva la carne descongelada o cubra las áreas cálidas con pedazos de papel pequeños.
- Después de haber sido descongeladas, la mayoría de las carnes necesitan 5 minutos para completar la descongelación. Los pedazos de carne para asar grandes deben quedarse por 30 minutos aproximadamente.

Guía de conversión

Si el peso del alimento viene dado en libras y onzas, las onzas deben ser convertidas a décimos (0,1) de libras.

Peso del alimento en onzas	Entre el peso del alimento (décimos de libras)	Peso del alimento en onzas	Entre el peso del alimento (décimos de libras)
1-2	0,1	9-10	0,6
3	0,2	11	0,7
4-5	0,3	12-13	0,8
6-7	0,4	14-15	0,9
8	0,5		

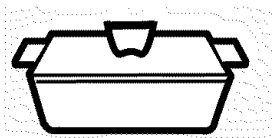


Descongelación Rápida de 1 libra (1 LB. QUICK DEFROST)

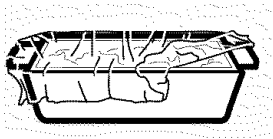
La Descongelación Rápida de 1 libra (**1 lb. Quick Defrost**) ajusta automáticamente los tiempos de descongelación y los niveles de potencia para alimentos que pesen una libra.

Presione **1 lb. QUICK DEFROST**. El horno comienza automáticamente. Cuando el horno haga una señal, voltee el alimento.

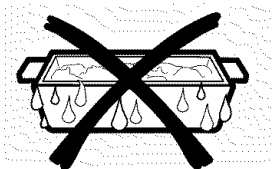
- Para mejores resultados, remueva los alimentos de su empaquetadura, coloque directamente sobre el estante de descongelado y coloque el estante en el plato giratorio.



Cubierto



Ventilado



Seque los platos para evitar un funcionamiento erróneo de parte de los sensores.

Sensor de humedad

Qué sucede cuando usa las funciones de sensores:

Las funciones de sensores detectan el aumento en la humedad liberada durante la cocción. El horno ajusta la cocción por tiempo automáticamente para varios tipos y cantidades de alimentos.

No utilice las funciones de Sensor dos veces consecutivas en la misma porción de comida. Puede resultar en que los alimentos se cocinen en exceso o se quemen. Si la comida no se ha cocinado por completo después de la cuenta regresiva, use la función **Time Cook** para tiempo de cocción adicional.

Contar con envases apropiados y cobertores es esencial para obtener los mejores resultados en la sensoria de la cocción.

Siempre use envases fabricados para ser usados en microondas y cúbralos con tapas o envolturas plásticas ventiladas. Nunca use envases plásticos herméticamente cerrados—esto puede evitar que el vapor escape y causar que los alimentos se cocinen excesivamente.

Cerciórese de que el exterior de los envases de cocción y la parte interna del microondas estén secos antes de colocar el alimento en el horno. Los puntos húmedos pueden convertirse en vapor y pueden causar un funcionamiento erróneo de parte de los sensores.

Acerca de las funciones de sensores.



NOTA: No use el estante de metal cuando use la función de **Popcorn** (rosetas de maíz).

NOTA: No utilice esta función dos veces consecutivas en la misma porción de comida. Puede resultar en que los alimentos se cocinen en exceso o se quemem.

Rosetas de maíz

Cómo usar la función de rosetas de maíz

- 1 Siga las instrucciones en la empaquetadura, usando **Time Cook** si el paquete pesa menos de 3,0 onzas o mayor de 3,5 onzas. Coloque el paquete en el centro del microondas.
- 2 Presione **POPCORN** para bolsas de rosetas de maíz de tamaño regular (de 3,0 a 3,5 onzas). El horno comienza inmediatamente.

Si usted abre la puerta mientras **POPCORN** está siendo mostrado en la pantalla, y un mensaje de error aparece, cierre la puerta y presione **START** (inicio).

Si la comida no se ha cocinado por completo después de la cuenta regresiva, use la función **Time Cook** para tiempo de cocción adicional.

Cómo ajustar el Programa de Popcorn (rosetas de maíz) para proporcionar un cocción por tiempo mayor o menor.

Si usted nota que la marca de las rosetas de maíz que usted ha comprado estalla o revienta más lenta o más rápidamente que lo normal, usted puede agregar o sustraer de 20 a 30 segundos con el tiempo de reventado automático.

Para agregar tiempo:

Después de presionar **POPCORN**, presione **9** dentro de los primeros 30 segundos después de que el microondas comience para 20 segundos adicionales. Presione **9** otra vez y agregue otros 10 segundos (para un total de 30 segundos de tiempo adicional).

Para sustraer tiempo:

Después de presionar **POPCORN**, presione **1** dentro de los primeros 30 segundos después de que el microondas comience para sustraer 20 segundos del cocción por tiempo.

Presione **1** otra vez para reducir el cocción por tiempo otros 10 segundos (para un total de 30 segundos de tiempo sustraído).

BEVERAGE

NOTA: No utilice esta función dos veces consecutivas en la misma porción de comida. Puede resultar en que los alimentos se cocinen en exceso o se quemen.

Bebidas

Presione **BEVERAGE** (bebidas) una vez para calentar una taza de 8 a 10 onzas de café u otra bebida.

Las bebidas calentadas usando la Función de Bebidas pueden resultar extremadamente calientes. Remueva el envase con cuidado.

Si la comida no se ha cocinado por completo después de la cuenta regresiva, use la función **Time Cook** para tiempo de cocción adicional.

Recalentamiento

Cómo usar la función de recalentamiento:

- 1 Coloque la taza de líquido o alimento cubierto en el horno. Presione **PREHEAT** una, dos o tres veces. El horno comienza inmediatamente. Presione una vez para un plato de alimento sobrante. Presione dos veces para pasta (8 a 12 onzas). Presione tres veces para vegetales (una taza media a dos tazas llenas).

- 2 El horno hace una señal cuando los sensores detectan vapor y el tiempo restante comienza el conteo regresivo.

No abra la puerta del horno hasta que el conteo de tiempo regresivo haya comenzado. Si la puerta es abierta, ciérrala y presione **START** inmediatamente.

Después de remover los alimentos del horno, muévalos, si es posible, para que la temperatura sea uniforme. Los alimentos recalentados pueden tener amplias variaciones en temperatura. Algunas áreas podrían estar extremadamente calientes.

Si la comida no está suficientemente caliente después de la cuenta regresiva, use **Time Cook** tiempo adicional para recalentar.

Cómo cambiar los ajustes automáticos:

Para reducir el tiempo en un 10%:

Presione **1** dentro de 30 segundos después de presionar el botón de **REHEAT** (recalentamiento).

Para agregar 10% al tiempo de cocción:

Presione **9** dentro de 30 segundos después de presionar el botón **REHEAT** (recalentamiento).

No se recomienda que ciertos alimentos sean recalentados.

Es mejor usar **Time Cook** (Cocción por tiempo) para esos alimentos:

- Panes
- Alimentos que deber ser recalentados descubiertos.
- Alimentos que necesitan ser movidos o volteados.
- Alimentos que requieren lucir secos o con superficies crujientes después del recalentado.

Cocción sensorial.



La cocción sensorial le proporciona resultados fáciles y resultados automáticos con una amplia gama de alimentos (Ver la Guía de Cocción más adelante).

NOTA: No use el estante metálico con la Cocción Sensorial.

NOTA: No utilice esta función dos veces consecutivas en la misma porción de comida. Puede resultar en que los alimentos se cocinen en exceso o se quemem.

Sensor Cooking

Vegetales, papas, pescados, pedazos de pollo

- 1 Coloque el alimento cubierto en el horno. Presione el botón alimento. Para vegetales presione el botón **VEGETABLE** (vegetales) una vez para vegetales, frescos, dos veces para vegetales congelados o tres veces para vegetales enlatados. Para pollo o pescado, presione el botón **CHICKEN/FISH** (pescado/ pollo) una vez para pollo o dos veces para pescado. El horno comienza inmediatamente.
- 2 El horno hace una señal cuando los sensores detectan vapor y el tiempo restante comienza el conteo regresivo. Gire o mueva el alimento si es necesario.

No abra la puerta del horno hasta que el conteo de tiempo regresivo haya comenzado. Si la puerta está abierta, ciérrela y presione **START** inmediatamente.

Si la comida no se ha cocinado por completo después de la cuenta regresiva, use la función **Time Cook** para tiempo de cocción adicional.

Cómo cambiar los ajustes automáticos (los ajustes automáticos para los vegetales enlatados no pueden ser cambiados en algunos modelos):

Usted puede ajustar el tiempo de cocción para todos los alimentos para ajustarse a sus preferencias personales.

Para reducir el tiempo en 10%:

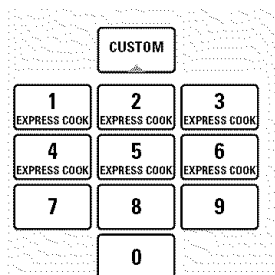
Presione **1** dentro de 30 segundos después de haber presionado el botón de alimento.

Para agregar 10% al tiempo de cocción:

Presione **9** dentro de 30 segundos después de haber presionado el botón de alimento.

Guía de Cocción

Tipo de alimento	Cantidad	Comentarios
Vegetales enlatados	De 4 a 16 onzas	Cubra con una tapa o una envoltura plástica ventilada.
Vegetales congelados	De 4 a 16 onzas	Siga las instrucciones en la envoltura del producto para agregar agua. Cubra con una tapa o envoltura plástica ventilada.
Vegetales frescos	De 4 a 16 onzas	Agregue 1/4 de una copa de agua por ración. Cubra con una tapa o envoltura plástica ventilada.
Papas	De 8 a 32 onzas	Perfore con un cubierto. Coloque las papas en el aro giratorio.
Pescado	De 4 a 16 onzas	Cubra con una envoltura plástica ventilada.
Pedazos de pollo	De 2 a 8 piezas	Cubra con una envoltura plástica ventilada.



Ajuste personal (CUSTOM)

El botón **CUSTOM** le permite guardar sus funciones más frecuentemente usadas. (Las funciones de ajuste de cocción con sensor no pueden ser guardadas.)

Para seleccionar y guardar una selección:

- 1 Presione el botón **CUSTOM**.
- 2 Seleccione la cantidad de tiempo de cocción.
- 3 Seleccione el nivel de potencia, si lo desea. (El nivel máximo viene dado por defecto si usted no cambia este valor.)
- 4 Presione el botón **CUSTOM**.

Su función personal será recordada en el futuro con sólo tocar un botón.

Para borrar la selección personalizada, presione y sostenga presionado el botón **CUSTOM** por 2 segundos.

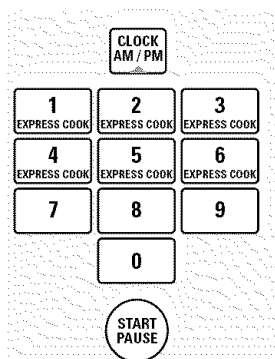


Ayuda (HELP)

El botón de **HELP** (ayuda) muestra en la pantalla información e ideas útiles. Presione **HELP** entonces seleccione el botón de función.

Recordador de cocción terminada

Para recordarle que usted tiene alimentos en el horno, el horno mostrará **FOOD IS READY** (el alimento está listo) y hará un pitido una vez por minuto hasta que usted abra la puerta del horno o presione **CLEAR/OFF** (borrar/apagar).



Reloj (CLOCK)

Presione **CLOCK** (reloj) para seleccionar la hora del día.

- 1 Presione **CLOCK**.
- 2 Entre la hora del día.
- 3 Seleccione AM o PM.
- 4 Presione **START** (inicio).

Para inspeccionar el tiempo del día mientras se encuentra usando el horno, presione **CLOCK**.

Otras funciones que su modelo puede tener.



Inicio Retrasado (DELAY START)

Esta función le permite usar el microondas para retrasar la cocción hasta 24 horas.

- 1 Presione **DELAY START** (inicio retrasado).
- 2 Seleccione la función de cocción o descongelación que usted desee retrasar, entonces entre el tiempo de cocción o descongelación.
- 3 Presione **START** (inicio).
- 4 Entre la hora a que usted desea que el horno inicie. (Cerciórese de que el microondas tiene la hora del día correcta).
- 5 Seleccione AM o PM.
- 6 Presione **START** (inicio).

La hora de inicio será mostrada y permanecerá en la pantalla del horno hasta que la cocción o descongelación comience automáticamente.

Usted puede ver la hora del día presionando **CLOCK**.



Sincronizador (TIMER)

El sincronizador opera como un sincronizador de minutos y puede ser usado en cualquier momento, aún cuando el horno está en operación.

- 1 Presione **TIMER** (sincronizador).
- 2 Entre el tiempo a que usted desea que el conteo regresivo comience.
- 3 Presione **TIMER** para dar inicio.

Para pausar el conteo regresivo, presione **TIMER**.

Cuando el conteo termine, el horno hará una señal. Para suspender la sincronización, presione **TIMER**.

NOTA: El indicador del sincronizador estará encendido mientras el sincronizador está en operación.

Para cancelar la sincronización, presione y sostenga presionado el botón **TIMER** por 2 segundos.



Recordador (REMINDER)

La función de recordador puede ser usada como un reloj de alarma, y puede ser usada en cualquier momento, aún cuando el horno está siendo operado. El tiempo del recordador puede ser seleccionado hasta por 24 horas.

- 1 Presione **REMINDER**.
- 2 Entre la hora a que usted desea que el horno le recuerde. (Cerciórese de que el reloj del microondas tiene la hora correcta del día.)
- 3 Seleccione AM o PM.
- 4 Presione **REMINDER**. Cuando la señal de **Reminder** ocurra, presione **REMINDER** para apagarla. El tiempo recordado puede ser mostrado en la pantalla si usted presiona **REMINDER**.

NOTA: El indicador **REM**—Recordador—permanecerá encendido para mostrarle que la función de **Reminder** está en la memoria. Para borrar la función a recordar antes de que la misma ocurra, presione y sostenga el botón **REMINDER** por 2 segundos.



START/ PAUSE (inicio/pausa)

Además de iniciar muchas funciones, **START/PAUSE** (inicio/pausa) le permite detener la cocción sin operar la puerta o sin borrar la visualización.



Cierre para niños (child lock-out)

Usted puede cerrar las funciones del panel de control para evitar que los niños puedan operar el microondas accidentalmente.

Para cerrar o abrir los controles, presione y sostenga presionado **CLEAR/OFF** (borrar/apagar) por tres segundos. Cuando el panel de control está cerrado, **LOCKED** aparecerá en la pantalla.

Otras funciones que su modelo podría tener.

TURNTABLE

Plato giratorio (TURNTABLE)

Para mejores resultados, deje el plato giratorio conectado. El mismo puede ser desconectado para platos grandes. Presione **TURNTABLE** (plato giratorio) para conectarlo o desconectarlo.

A veces el plato giratorio puede calentarse tanto que no es recomendable tocarlo.

Tenga cuidado cuando toque el plato giratorio durante y después de cocinar en él.

VENT FAN

Ventilador (VENT FAN)

El ventilador remueve los vapores de la superficie de cocina.

VENT FAN BOOST

Presione **VENT FAN** (Ventilador) una vez para velocidad máxima del ventilador, dos veces para velocidad media, tres veces para velocidad baja y cuatro veces para apagarlo.

Presione el botón **VENT FAN BOOST** (Ventilación adicional) para aumentar la velocidad adicionalmente.

Ventilador automático (automatic fan)

Esta función protege el microondas de que demasiado calor se acumule debajo de la estufa. El mismo se enciende automáticamente si siente mucho calor.

Si ha encendido el ventilador quizás usted note que no lo puede apagar. El ventilador se apaga automáticamente cuando las partes internas están frías. Puede estar encendido por 30 minutos o más después de que el microondas y la estufa estén apagados.

SURFACE LIGHT

Luz de superficie (SURFACE LIGHT)

Presione el botón **SURFACE LIGHT** (luz de superficie) una vez para luz brillante, dos veces para la luz nocturna o tres veces para apagarla.



Opciones (OPTIONS)

Presione el botón de **OPTIONS** (opciones) múltiples veces para hacer el ciclo a través de las opciones disponibles.

Luz nocturna automática (Auto Nite Light)

La **luz nocturna automática** puede ser ajustada para que se encienda y se apague a horas específicas.

Para ajustar el sincronizador:

- 1** Presione **1**.
- 2** Entre la hora del día a la que usted desea que la luz se encienda.
- 3** Seleccione AM o PM.
- 4** Presione el botón **OPTIONS**.
- 5** Entre la hora del día a la que usted desea que la luz se apague.
- 6** Seleccione AM o PM.
- 7** Presione el botón **OPTIONS**.

Para revisar los ajustes de la luz nocturna, presione **2** después de seleccionar la opción de **Luz nocturna automática** (Auto Nite Light).

Para apagar la función, presione **0** después de seleccionar la opción de **Luz nocturna automática** (Auto Nite Light).

Volumen del pito (Beeper Volume)

El nivel de sonido del pito puede ser ajustado. Escoja entre 0 y 3 para escoger entre Mute (Mudo) y alto.

Recordador de filtro de carbón (Charcoal Filter Reminder)

El **Recordador de filtro de carbón** (Charcoal Filter Reminder) está ajustado de fábrica para que le recuerde que usted debe cambiarlo después de 180 días. Presione **0** para apagarlo. Presione **1** para seleccionarlo. Presione **2** para reajustar el recordador.

Idioma de pantalla (Display Language)

El idioma para la visualización en la pantalla puede ser cambiado entre inglés y español.

Presione **1** para inglés y **2** para español.

Pantalla encendida apagada (Display On/Off)

Usted puede escoger encender la visualización del reloj o apagarla. Presione **0** para apagarla. Presione **1** para encenderla.

Velocidad de la visualización (Display Speed)

La velocidad de visualización a través de los menús de la pantalla puede ser cambiada. Seleccione entre 1 y 5 para aumentar de mayor a menor.

Otras funciones que su modelo puede tener.



Estante

Los alimentos se cocinan mejor en el microondas cuando son colocados en el plato giratorio o en el estante en la posición más baja.

Sólo use el estante al recalentar en más de un nivel. No almacene el estante al interior de la cavidad del horno.

Cómo usar el estante cuando usted se encuentra cocinando en el microondas

- Cerciórese de que el estante está colocado apropiadamente en el microondas para prevenir que el arco dañe el horno.
- No use un plato de dorar o broncear en el estante. El estante podría sobrecalentarse.
- No use el horno con el estante en el piso del microondas. Esto podría dañar el piso del microondas.
- Use sostenedores para las ollas cuando esté manejando el estante—ya que podría estar muy caliente.
- No use el estante cuando cocine rosetas de maíz.
- No use el estante cuando cocine con el sensor o cuando recaliente alimentos (**REHEAT**).



Para mejor resultado



Resultados irregulares



Recalentamiento de dos niveles



Cambie de lugares después de transcurrido la mitad del tiempo.



Cambie de lugares después de transcurrido la mitad del tiempo.

Estante y Recalentamiento

- **Para recalentar en 2 niveles**

0

- **Para recalentar 2 platos en los dos niveles inferiores:**

- 1** Multiplique el tiempo de recalentamiento por 1½.
- 2** Cambie lugar después de 1/2 hora.

Seguridad

Operación

Solucionar problemas

Soporte al consumidor

Terminología de microondas.

Término	Definición
Arco eléctrico	<p>El arco eléctrico es lo que, en la terminología de los microondas, describe las chispas en el horno. El arco eléctrico se produce cuando:</p> <ul style="list-style-type: none">■ el estante de metal se ha instalado de forma incorrecta y está tocando las paredes del microondas.■ hay un metal o papel de aluminio tocando el lateral del horno.■ el papel de aluminio no está envolviendo bien la comida (hay bordes doblados hacia arriba que actúan como antenas).■ hay algún metal, como cintas de cierre con metal, pinchos de pollo, o platos con decoración de oro.■ hay papel toalla reciclado que contiene pequeñas piezas de metal.
Cubierto	<p>Las cubiertas mantienen la humedad dentro, permitiendo un calentamiento más parejo y reduciendo el tiempo de cocción. Cuando se agujerea el envoltorio de plástico o se cubre con papel de cera se permite la salida del vapor.</p>
Resguardar	<p>En un horno convencional, se tapan o resguardan las pechugas de pollo o las comidas horneadas para que no se doren demasiado. Al usar el microondas, use pequeñas cintas de papel de aluminio para cubrir partes finas, como las puntas de las alas en las aves, que podrían cocinarse antes que las partes mayores.</p>
Tiempo de reposo	<p>Cuando cocina en hornos regulares, las comidas como los asados o pasteles se dejan reposar para que acaben de cocinarse o se asienten. El tiempo de reposo es especialmente importante al cocinar con microondas. Tenga en cuenta que un pastel cocido en horno microondas no se coloca en un estante de enfriamiento.</p>
Abrir respiraderos	<p>Una vez que haya cubierto un plato con film plástico, deberá abrir un orificio desplegando una esquina para que pueda escapar el vapor.</p>



Consejos prácticos

Para mantener el interior fresco pásese un paño con una solución de agua y bicarbonato sódico de cuando en cuando.

NOTA: Asegúrese de que esté apagado (en off) antes de limpiar cualquier parte de este horno.



Cómo limpiar el interior

Paredes, suelo, ventana interior y piezas de plástico de la puerta

Algunas salpicaduras pueden limpiarse con un papel toalla, otras pueden necesitar un paño húmedo. Quite las salpicaduras con un paño enjabonado y aclare con un paño húmedo. No use limpiadores abrasivos ni utensilios afilados en las paredes del horno.

Nunca use un limpiador comercial de horno en ninguna parte del microondas.

Base giratoria extraíble y soporte de base giratoria

Para que no se rompa, no ponga el plato giratorio en agua justo después de cocinar. Límpiela con cuidado en agua tibia con jabón o en el lavavajillas. El plato giratorio y el soporte pueden romperse si se caen. Recuerde, no ponga en marcha el horno sin que el plato giratorio y el soporte estén encajadas en su lugar.

Estante

Límpielo con agua y jabón suave o en el lavavajillas.

No la limpie si tiene un horno autolimpiable.

Estante de descongelado

Limpie con jabón suave y agua o en el estante superior del lavaplatos automático.

Cuidado y limpieza del horno.



Cómo limpiar el exterior

No recomendamos el uso de limpiadores con amoníaco o alcohol, ya que pueden dañar el aspecto del horno microondas. Si opta por usar un limpiador casero, primero aplique el limpiador directamente en un paño limpio, luego limpie el área sucia.

Parte inferior

Limpie la grasa y el polvo de la parte inferior a menudo. Use una solución de agua templada y detergente.

Caja

Limpie la parte externa del microondas con un paño jabonoso. Aclárelo con un paño húmedo y séquelo. Pase un trapo húmedo por la ventana para limpiarla.

Panel de control y puerta

Pásele un paño húmedo. Séquelo completamente. No use pulverizadores de limpieza, mucha cantidad de agua y jabón, abrasivos u objetos afilados en el panel—podrían dañarlo. Algunas toallas de papel también pueden rayar el panel de control.

Sellante del horno

Es importante mantener el área donde la puerta se sella contra el microondas siempre limpia. Use sólo detergentes suaves, no abrasivos, y aplíquelos con una esponja limpia o un paño suave. Aclárela bien.

Acero inoxidable (en algunos modelos)

No use una esponja metálica, rayará la superficie.

Para limpiar las superficies de acero inoxidable, use un paño caliente, mojado con un detergente suave. Use un paño limpio, caliente y mojado para quitar el jabón. Seque con un paño seco y limpio.

Si quedan manchas, intente usar un limpiador general de cocina.

Para manchas difíciles, use un limpiador normal de acero inoxidable como Bon-Ami® o Cameo®.

Pásele un limpiador con una esponja mojada. Use un paño limpio, caliente y mojado para quitar el limpiador. Seque con un paño seco y limpio. Frote siempre ligeramente en la dirección del dibujo de la superficie.

Después de limpiar, use un pulidor de acero inoxidable como Stainless Steel Magic®, Revere Copper y Stainless Steel Cleaner®, o Wenol All Purpose Metal Polish®. Siga las indicaciones del producto para la limpieza de superficies de acero inoxidable.



Remueva el tornillo



Luz de la estufa/Luz Nocturna

Reemplace la bombilla quemada con una bombilla de halógeno de 120 voltios, 20 vatios (WB36X10213), disponible en su suministrador GE.

- 1** Para cambiar la luz de encimera/luz nocturna, primero desconecte la corriente del fusible principal o del panel de diferencial o estire del enchufe.
- 2** Quite el tornillo del lado derecho de la cubierta del compartimiento de la bombilla y baje el lado izquierdo de la cubierta hasta que pare.
- 3** Cerciórese de que la bombilla (s) a ser reemplazadas están frías antes de removerlas. Después de romper el sello adhesivo, remueva la bombilla tirando directamente hacia afuera. Reemplace con el mismo tipo y tamaño de bombilla.
- 4** Levante el protector de luz y reemplace el tornillo. Conecte la energía eléctrica al horno.

Seguridad

Operación

Solucionar problemas

Soporte al consumidor

La función de extractor.

Filtro de carbón vegetal
(en algunos modelos)



Filtros de extractor reutilizables
(en todos los modelos).

Ventilador extractor

La ventilador extractor tiene dos filtros de metal reutilizables.

Los modelos que hacen recircular el aire de nuevo a la habitación usan un filtro de carbón vegetal.

Filtros de extractor reutilizables

Los filtros metálicos atrapan la grasa liberada por la comida en la cocina encimera. También evitan que las llamas de la cocina encimera puedan dañar en interior del horno.

Por esta razón, los filtros deben estar SIEMPRE en su lugar cuando se esté usando la campana. Los filtros del extractor deben limpiarse una vez al mes o según sea necesario.



Cómo quitar y limpiar los filtros

Para quitarlos, usando las lengüetas, deslícelos hacia atrás. Estire hacia abajo y afuera.

Para limpiar los filtros del extractor, empápelos y páselos de un lado a otro en agua con detergente. No use amoníaco ni productos que lo contengan ya que oscurecerían el metal. Se pueden cepillar ligeramente para quitar suciedad pegada.

Aclárelos, sacúdalos y déjelos secar antes de volverlos a poner.

Para volver a colocarlos, deslice los filtros en los marcos por la parte trasera de cada apertura. Presione hacia arriba y hacia la parte frontal para ajustarlos en su lugar.

Filtros de carbón vegetal (en algunos modelos)

El filtro de carbón vegetal no puede limpiarse. Debe cambiarse por otro. Pida el recambio No. WB2X10733 de su suministrador GE.

Si el modelo no realiza la extracción al exterior, el aire recirculará a través de un filtro de carbón vegetal no reutilizable que ayuda a quitar olores y humos.

El filtro de carbón vegetal debería cambiarse cuando está visiblemente sucio o descolorido (normalmente tras 6 ó 12 meses, según el uso).

Cómo quitar el filtro de carbón vegetal

Para quitar el filtro de carbón vegetal, primero desconecte la corriente del fusible principal o del panel de diferencial o estire del enchufe.

Retire la parrilla superior quitando los tornillos en la parte superior de la parrilla que lo sujetan. Puede ser que necesite abrir las puertas del armario para quitar los tornillos. Deslice el filtro hacia la parte frontal del horno y sáquelo.



Retire la parrilla superior quitando los tornillos que lo sujetan.

Cómo instalar el filtro de carbón vegetal

Para instalar un nuevo filtro de carbón vegetal, retire el plástico y cualquier otro envoltorio del nuevo filtro.

Inserte el filtro en la apertura superior del horno como se muestra. Descansará en un ángulo detrás de la rejilla plástica en dos lengüetas laterales de soporte y en frente de la lengüeta trasera derecha. Vuelva a colocar la rejilla y los tornillos en su lugar.



Antes de llamar al servicio de reparaciones...



Resolución de Problemas

¡Ahorre tiempo y dinero! Revise la tabla en esta página y tal vez no necesite llamar al servicio de reparación.

Problema	Posibles causas	Qué hacer
El horno no se pone en marcha	Puede que se haya fundido un fusible de su casa o que haya saltado el diferencial.	* Cambie el fusible o reconecte el diferencial.
	Apagón de corriente.	* Desenchufe el horno microondas de la corriente y vuélvalo a enchufar.
	El enchufe no está completamente insertado en la toma de corriente de la pared.	* Asegúrese de que el enchufe de 3 clavijas del horno esté completamente insertado en la toma de corriente de la pared.
El suelo del horno está templado, incluso cuando el horno no se ha usado	La luz de la encimera está situada bajo el suelo del horno. Cuando la luz está puesta, el calor que produce puede calentar el suelo del horno.	* Esto es normal.
"LOCKED" (BLOQUEADO) aparece en la pantalla	El control ha sido bloqueado.	* Presione y mantenga CLEAR/OFF durante 3 segundos para desbloquear el control.
"SENSOR ERROR" aparece en la pantalla	Cuando usted está usando la función de sensor, la puerta estaba abierta, antes de que el vapor pudiera ser detectado.	* No abra la puerta hasta que el vapor sea detectado y el conteo regresivo del tiempo se muestre en la pantalla.
	No fue detectando vapor en el tiempo máximo.	* Use Time Cook (cocción por tiempo) para calentar una vez más.
Usted escucha un pitido raro y de tono bajo	Usted ha intentado iniciar el Reminder (Recordador) sin un tiempo del día válido.	* Comience otra vez y entre un tiempo y un día válidos.
	Usted ha intentado iniciar la Luz Nocturna Automática (Auto Nite Light) sin un tiempo del día válido para tiempo de encendido y apagado.	* Comience otra vez y entre un tiempo y un día válidos.
	Usted ha intentado cambiar el nivel de potencia cuando no es permitido.	* Muchas de las funciones del horno son preprogramadas y no pueden ser cambiadas.
La cantidad de alimento es demasiado grande para el Recalentamiento con Sensor (Sensor Reheat)	La función de Recalentamiento con Sensor (Sensor Reheat) es para raciones individuales de alimentos recomendados.	* Use Time Cook (cocción por tiempo) para cantidades de alimentos grandes.

Cosas normales de su horno microondas

- Sale vapor de agua de alrededor de la puerta.
- Se refleja una luz alrededor de la caja exterior.
- A niveles de potencia que no sea el mayor la luz interior pierde brillo y cambia el sonido del ventilador.
- Ruido sordo de golpes mientras el horno está en funcionamiento.
- Pueden notarse interferencias en la TV/radio cuando el microondas está en marcha. Esto es parecido a las interferencias causadas por otros electrodomésticos pequeños, no es indicativo de ningún problema con el microondas. Enchufe el microondas a otro circuito eléctrico, mueva la TV tan alejada del microondas como sea posible o revise la posición y la señal de la antena de la radio o TV.

Seguridad

Operación

Solucionar problemas

Soporte al consumidor

Seguridad

Operación

Solucionar problemas

Soporte al consumidor

Seguridad

Operación

Solucionar problemas

Soporte al consumidor

Garantía de Horno Microondas GE.



Todos los servicios de garantía los proporcionan nuestros Centros de Reparación de Fábrica o nuestros técnicos Customer Care® autorizados. Para concertar una cita de reparación, en línea, 24 horas al día, póngase en contacto con nosotros en www.GEAppliances.com, o llame al 1.800.GE.CARES.

Grabe aquí su recibo. Se requiere facilitar prueba de la fecha de compra original para obtener un servicio bajo la garantía.

Durante el período de: GE reemplazará:

Un año

Desde la fecha de la compra original

Cualquier recambio del horno microondas que falle debido a un defecto en sus materiales o en su fabricación. Durante este **año de garantía completa**, GE proporcionará, **sin costo adicional**, costos de mano de obra y costos relacionados con el servicio en su hogar para reemplazarlas partes defectuosas.

Del segundo al décimo año

Desde la compra original del producto

El magnetrón, si el tubo magnetrón fallase debido a un defecto en sus materiales o en su fabricación. Durante estos **nueve años adicionales de garantía**, usted será responsable de cualquier costo de mano de obra o costos relacionados con el servicio.

Lo que GE no cubrirá:

- Viajes de reparación a su hogar para enseñarle cómo usar el producto.
- Instalación o entrega inapropiada, o mantenimiento impropio.
- Fallos del producto si hay abuso, mal uso, o uso para otros propósitos que los propuestos, o si se usa con fines comerciales.
- Reemplazo de bombillas de la luz de la estufa.
- Reemplazo de fusibles de su hogar o reajuste de los diferenciales.
- Daño al producto causado por accidente, fuego, inundaciones o actos de Dios.
- Daño incidental o consecuencial causado por posibles defectos con el aparato.
- Daños causados después de la entrega.

Esta garantía se extiende al comprador original y a cualquier propietario que lo suceda para el caso de productos comprados para uso doméstico en los Estados Unidos. En Alaska, usted tendrá que pagar el flete del producto o los costos de viaje del técnico de servicio hasta su hogar.

Algunos estados no permiten la exclusión o limitación de daños incidentales o consecuenciales. Esta garantía le proporciona derechos legales específicos, y puede tener otros derechos que pueden variar de un estado a otro. Para conocer los derechos legales de su estado, consulte con su oficina local de asuntos del consumidor o al procurador general de su estado.

Garantizador: General Electric Company, Louisville, KY 40225

Soporte al consumidor.



Página Web de GE Appliances

GEAppliances.com

¿Tiene alguna pregunta sobre su electrodoméstico? ¡Pruebe la página Web de GE Appliances 24 horas al día, cualquier día del año! Para mayor conveniencia y servicio más rápido, ya puede descargar los Manuales de los Propietarios, pedir piezas o incluso hacer una cita en línea para que vengan a realizar una reparación. También puede "Ask Our Team of Experts™" (Preguntar a nuestro equipo de expertos) sobre cualquier cuestión y mucho más...



Solicite una reparación

GEAppliances.com

El servicio de expertos GE está a tan sólo un paso de su puerta. ¡Entre en línea y solicite su reparación cuando le venga bien 24 horas al día cualquier día del año! O llame al 800.GE.CARES (800.432.2737) durante horas normales de oficina.



Real Life Design Studio *(Estudio de diseño para la vida real)*

GEAppliances.com

GE apoya el concepto de Diseño Universal—productos, servicios y ambientes que pueden usar gente de todas las edades, tamaños y capacidades. Reconocemos la necesidad de diseñar para una gran gama de habilidades y dificultades físicas y mentales. Para más detalles sobre las aplicaciones de GE Diseño Universal, incluyendo ideas de diseño para la cocina para personas con discapacidades, mire nuestra página Web hoy mismo. Para personas con dificultades auditivas, favor de llamar al 800.TDD.GEAC (800.833.4322).



Garantías ampliadas

GEAppliances.com

Compre una garantía ampliada y obtenga detalles sobre descuentos especiales disponibles mientras su garantía está aún activa. Puede comprarla en línea en cualquier momento, o llamar al (800.626.2224) durante horas normales de oficina. GE Consumer Home Services estará aún ahí cuando su garantía termine.



Piezas y accesorios

GEAppliances.com

Aquellos individuos con la calificación necesaria para reparar sus propios electrodomésticos pueden pedir que se les manden las piezas o accesorios directamente a sus hogares (aceptamos las tarjetas VISA, MasterCard y Discover). Haga su pedido en línea hoy, 24 horas cada día o llamar por teléfono al 800.626.2002 durante horas normales de oficina.

Las instrucciones descritas en este manual cubren los procedimientos a seguir por cualquier usuario. Cualquier otra reparación debería, por regla general, referirse a personal calificado autorizado. Debe ejercerse precaución ya que las reparaciones incorrectas pueden causar condiciones de funcionamiento inseguras.



Póngase en contacto con nosotros

GEAppliances.com

Si no está satisfecho con el servicio que recibe de GE, póngase en contacto con nosotros en nuestra página Web indicando todos los detalles así como su número de teléfono o escríbanos a:
General Manager, Customer Relations
GE Appliances, Appliance Park
Louisville, KY 40225



Registre su electrodoméstico

GEAppliances.com

¡Registre su nuevo electrodoméstico en línea—cuando usted prefiera! El registrar su producto a tiempo le proporcionará, si surgiera la necesidad, una mejor comunicación y un servicio más rápido bajo los términos de su garantía. También puede enviar su tarjeta de registro pre-impresa que se incluye en el material de embalaje.

Impreso en Corea