

This Owner's Manual is provided and hosted by [Appliance Factory Parts](#).



# GE SCA1000HBB03 Owner's Manual

[Shop genuine replacement parts for GE  
SCA1000HBB03](#)

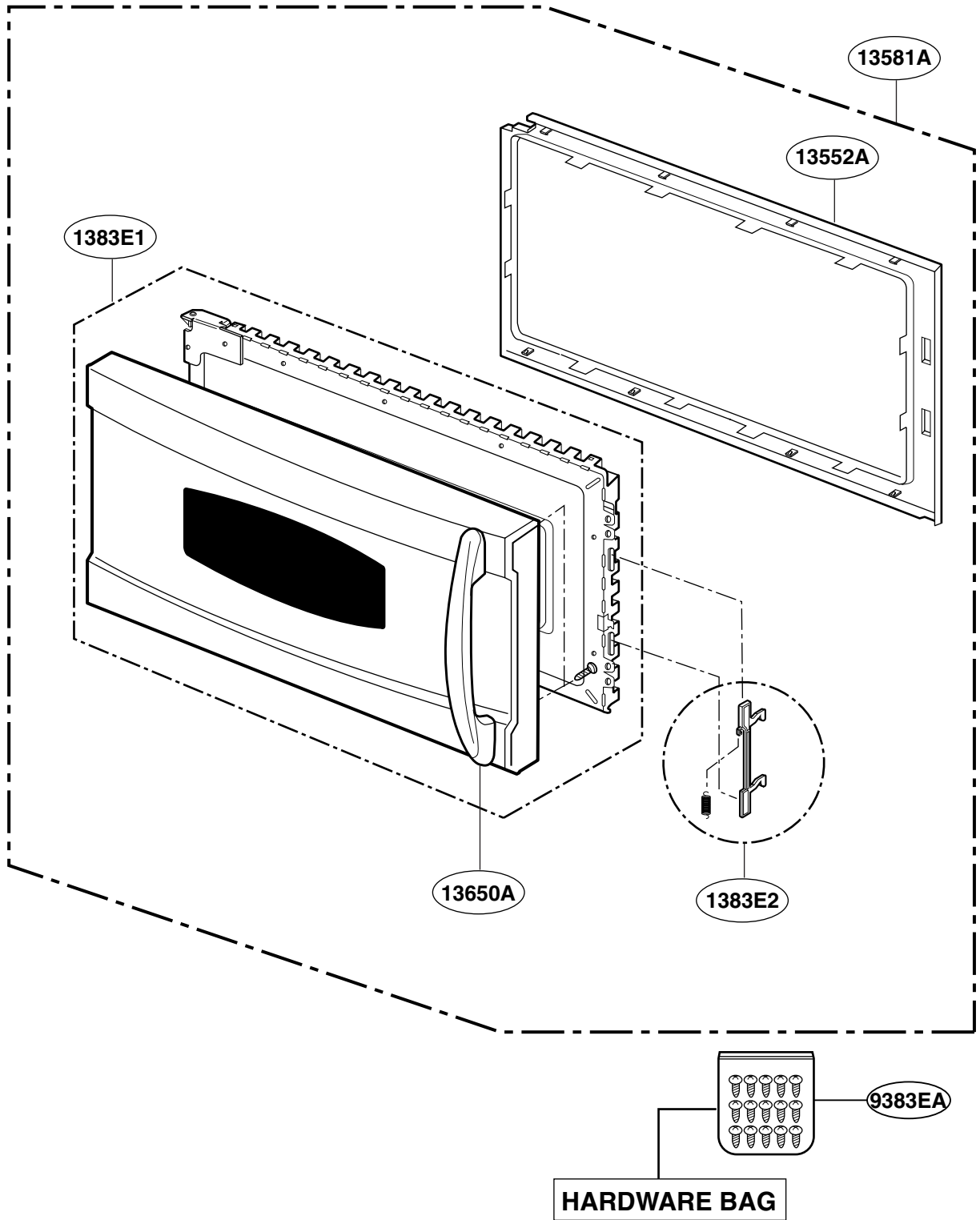


[Find Your GE Microwave Parts - Select From 3055 Models](#)

----- Manual continues below -----

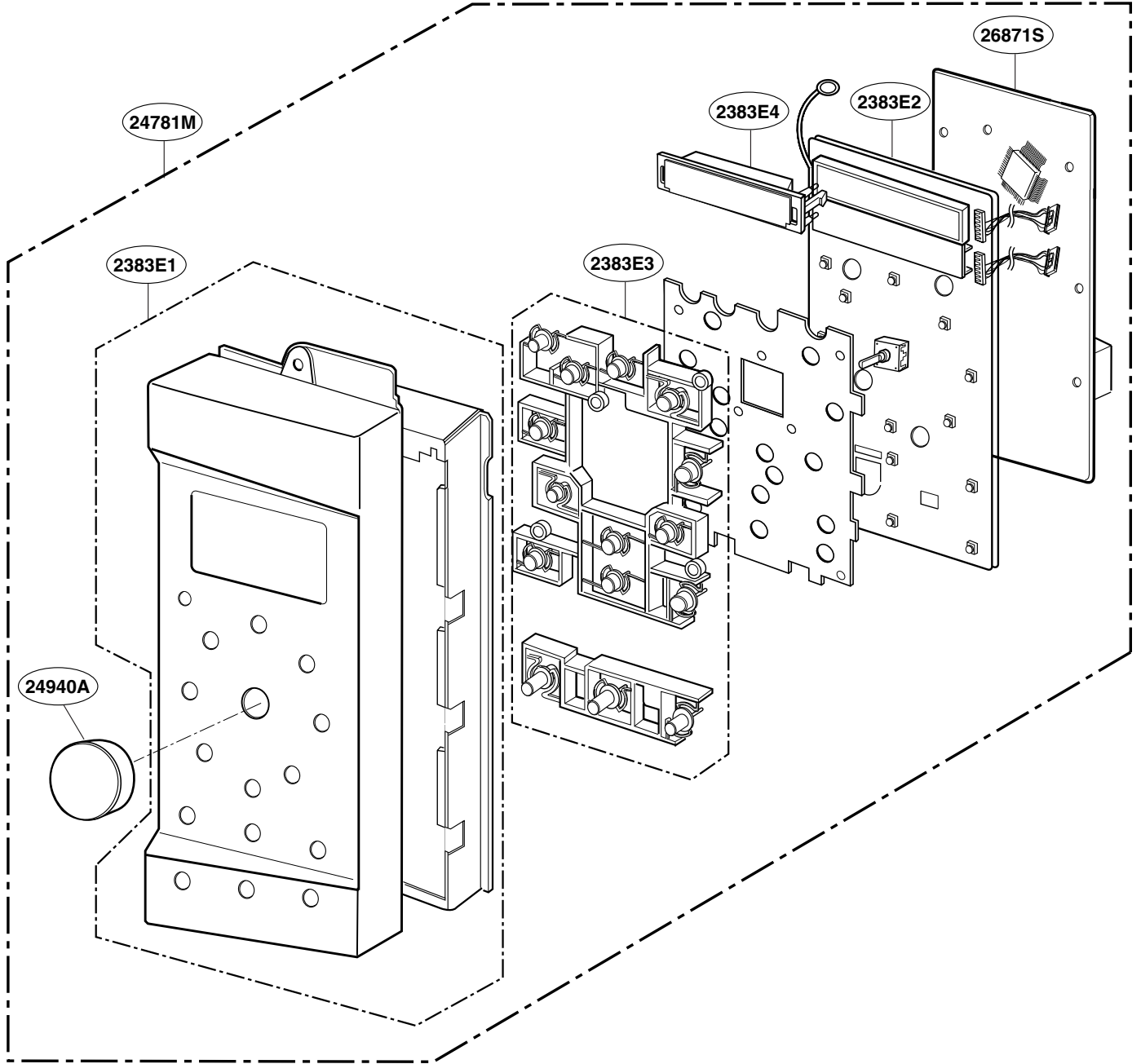
Model: SCA1000HBB  
SCA1000HWW  
SCA1000HCC  
SCA1001HSS  
SCA1001KSS

# DOOR PARTS



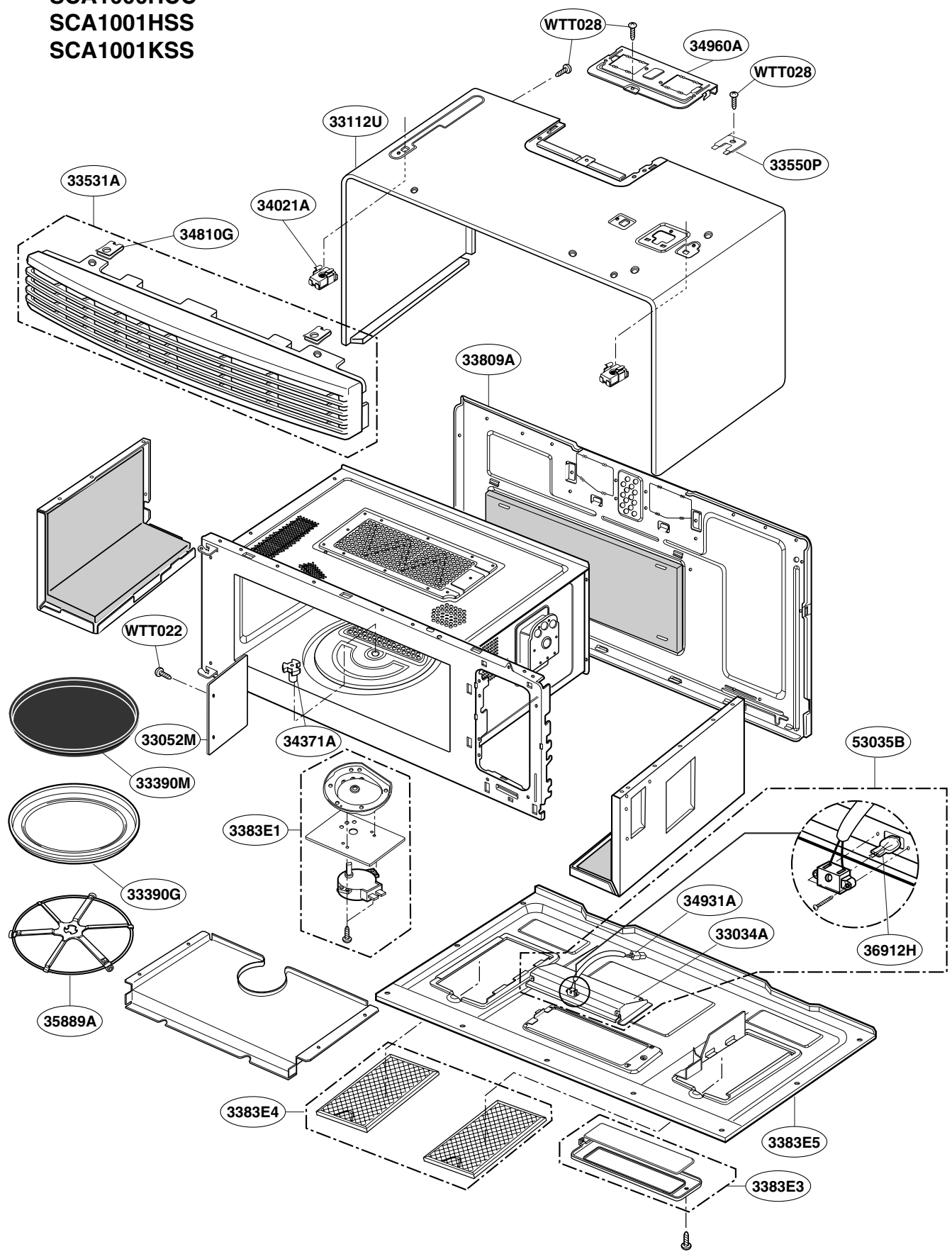
Model: SCA1000HBB  
SCA1000HWW  
SCA1000HCC  
SCA1001HSS  
SCA1001KSS

# CONTROLLER PARTS



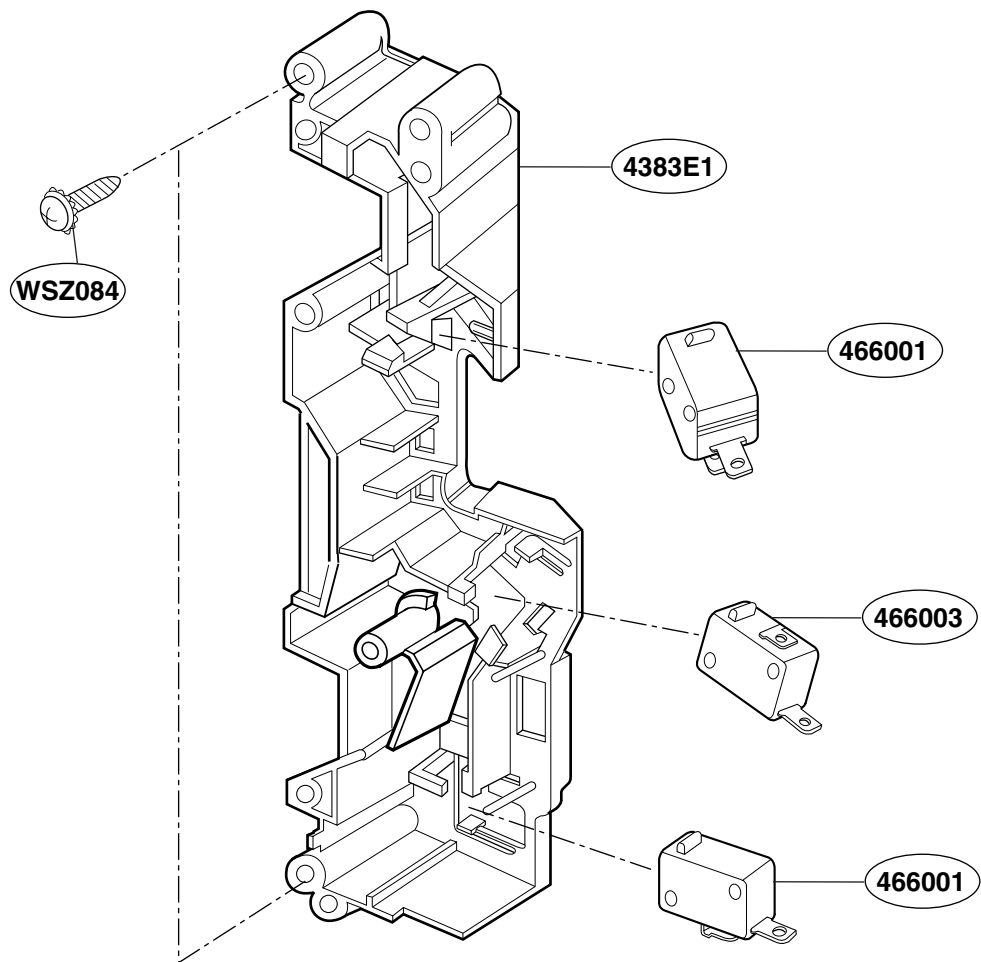
Model: SCA1000HBB  
SCA1000HWW  
SCA1000HCC  
SCA1001HSS  
SCA1001KSS

# OVEN CAVITY PARTS



Model: SCA1000HBB  
SCA1000HWW  
SCA1000HCC  
SCA1001HSS  
SCA1001KSS

# LATCH BOARD PARTS

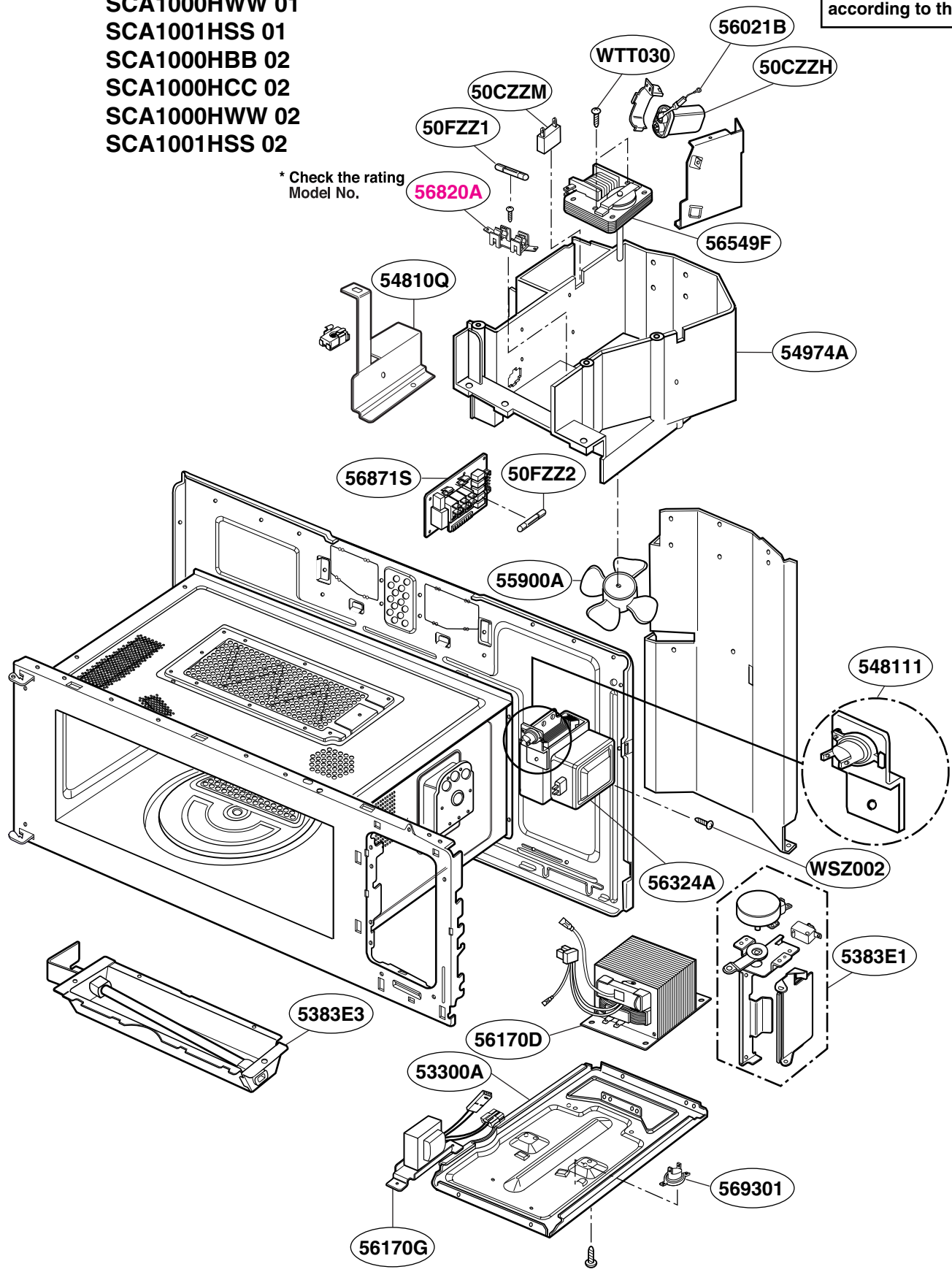


Model: SCA1000HBB 01  
 SCA1000HCC 01  
 SCA1000HWW 01  
 SCA1001HSS 01  
 SCA1000HBB 02  
 SCA1000HCC 02  
 SCA1000HWW 02  
 SCA1001HSS 02

# INTERIOR PARTS (I-I)

Check the rating label of Model and order SVC parts according to the Model No.

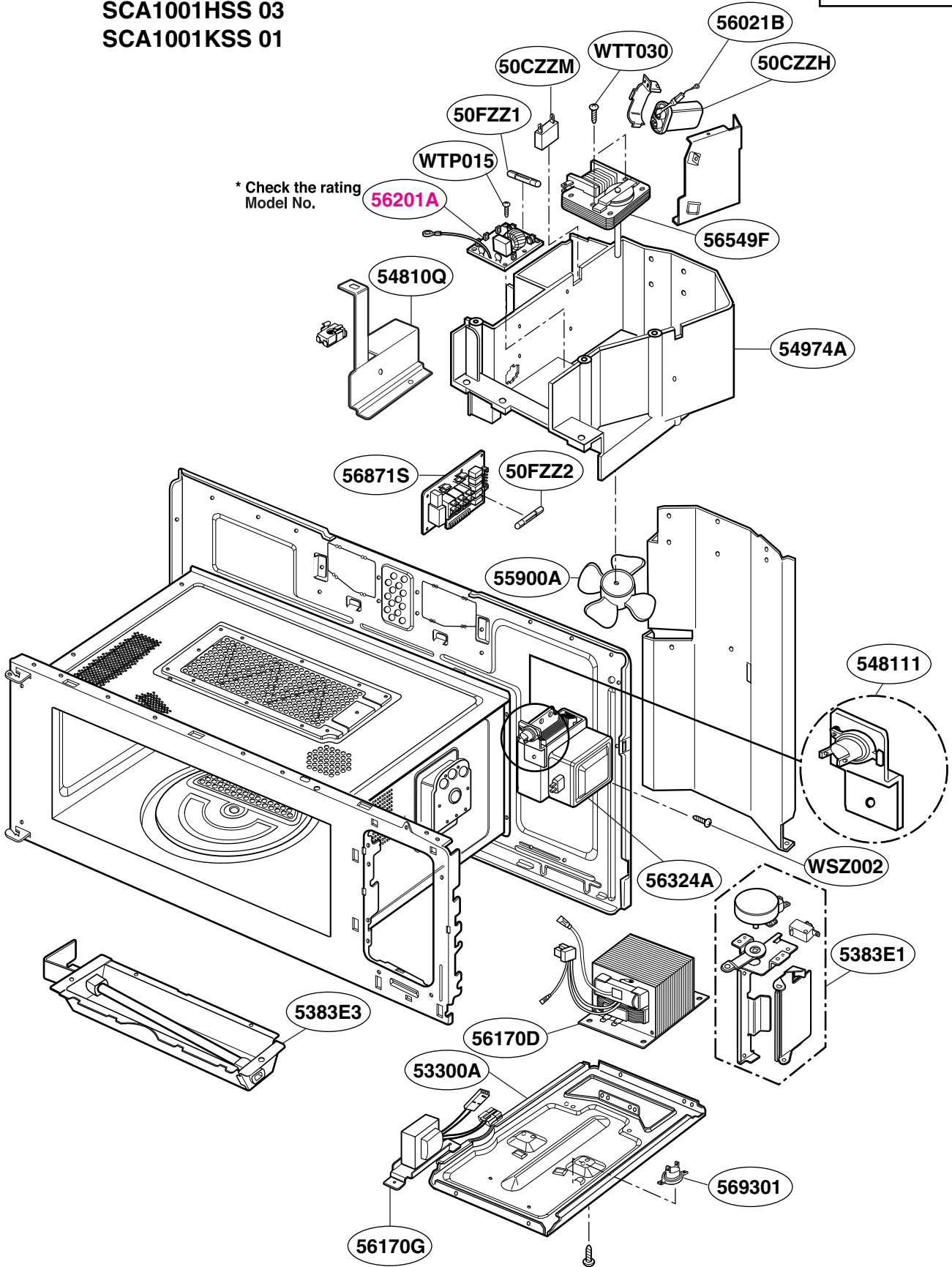
\* Check the rating Model No.



Model: SCA1000HBB 03  
SCA1000HCC 03  
SCA1000HWW 03  
SCA1001HSS 03  
SCA1001KSS 01

# INTERIOR PARTS (I-II)

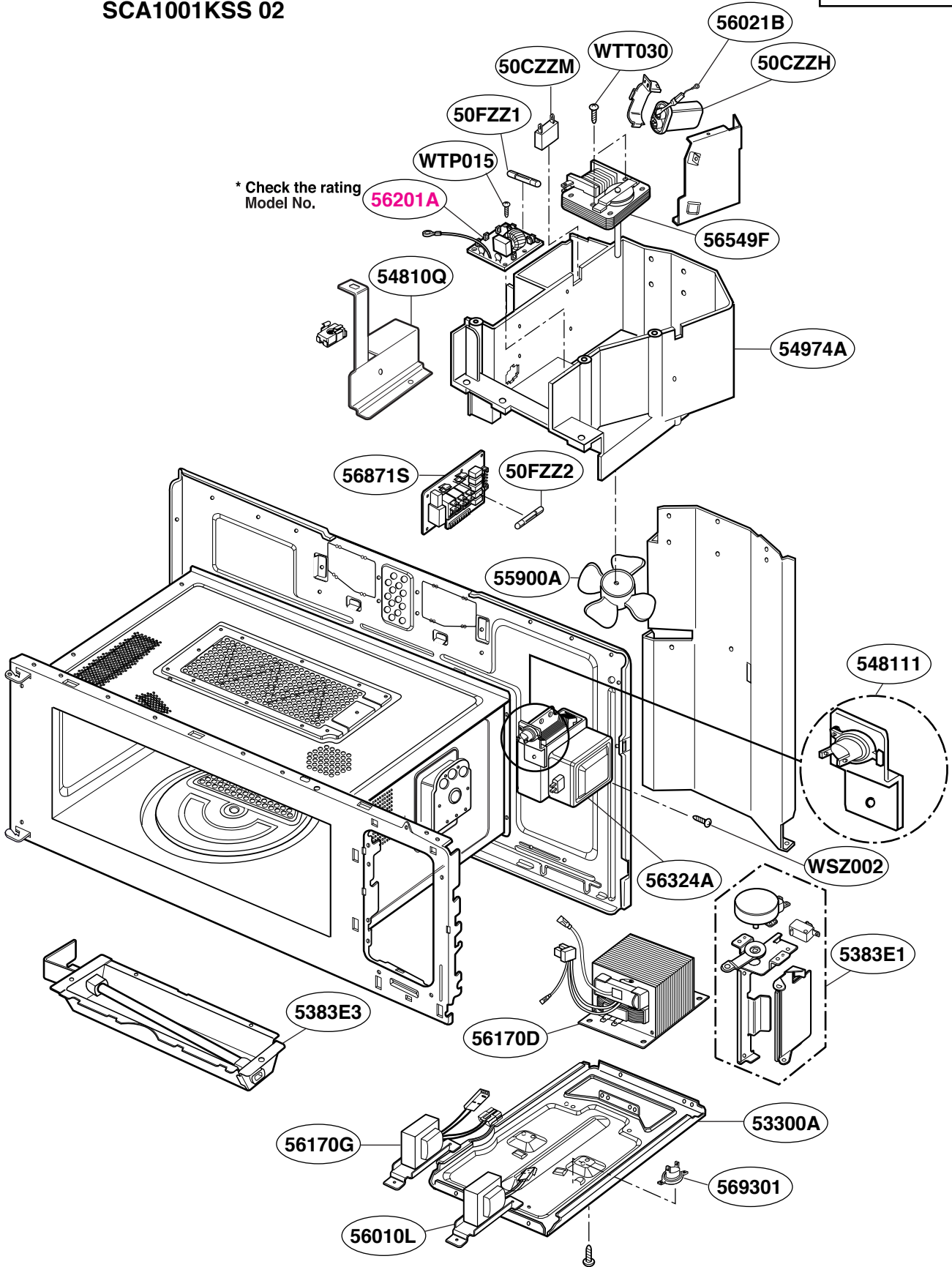
Check the rating label of Model and order SVC parts according to the Model No.



Model: SCA1000HBB 04  
SCA1000HCC 04  
SCA1000HWW 04  
SCA1001KSS 02

# INTERIOR PARTS (I-III)

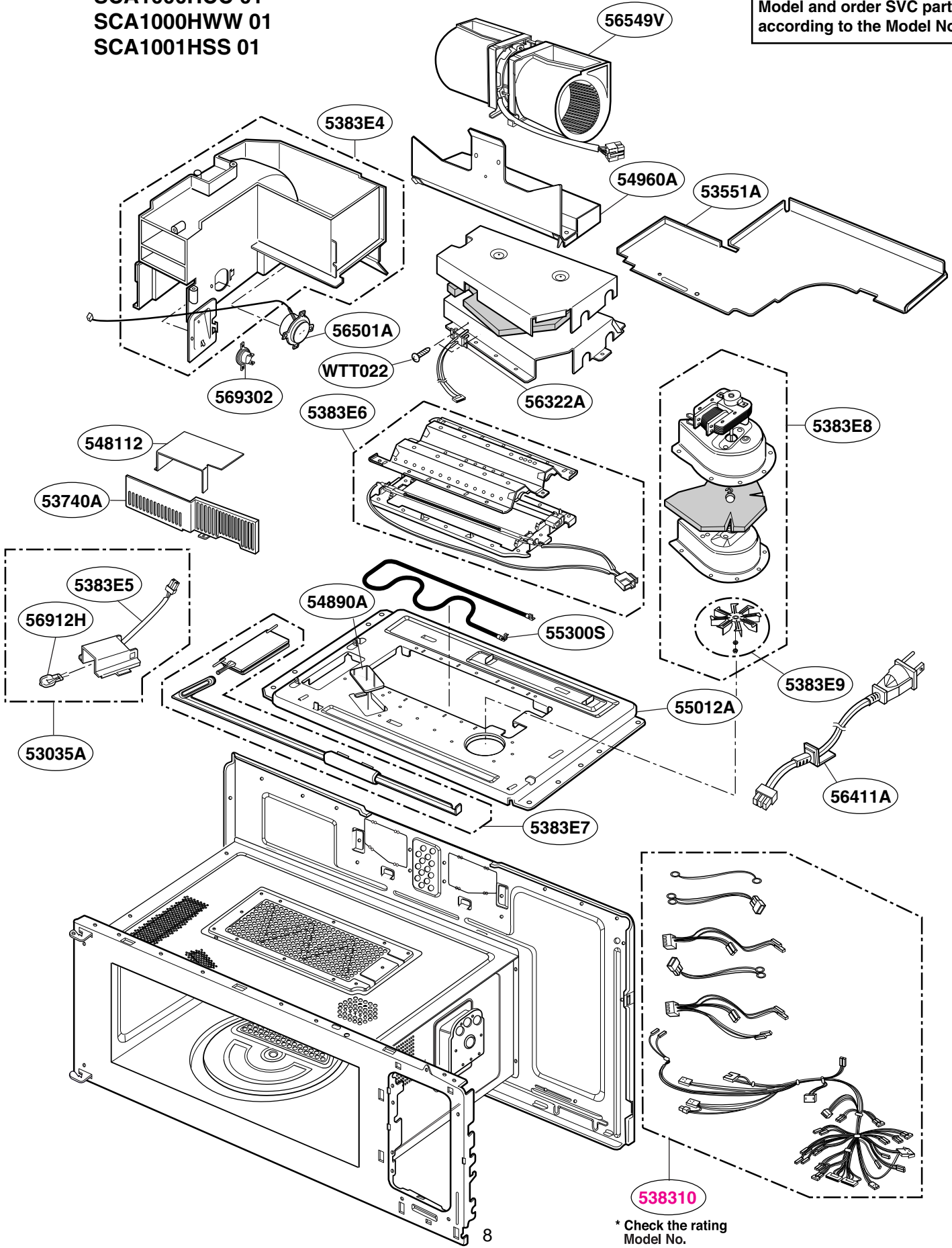
Check the rating label of Model and order SVC parts according to the Model No.



Model: SCA1000HBB 01  
SCA1000HCC 01  
SCA1000HWW 01  
SCA1001HSS 01

# INTERIOR PARTS (II - I)

Check the rating label of Model and order SVC parts according to the Model No.

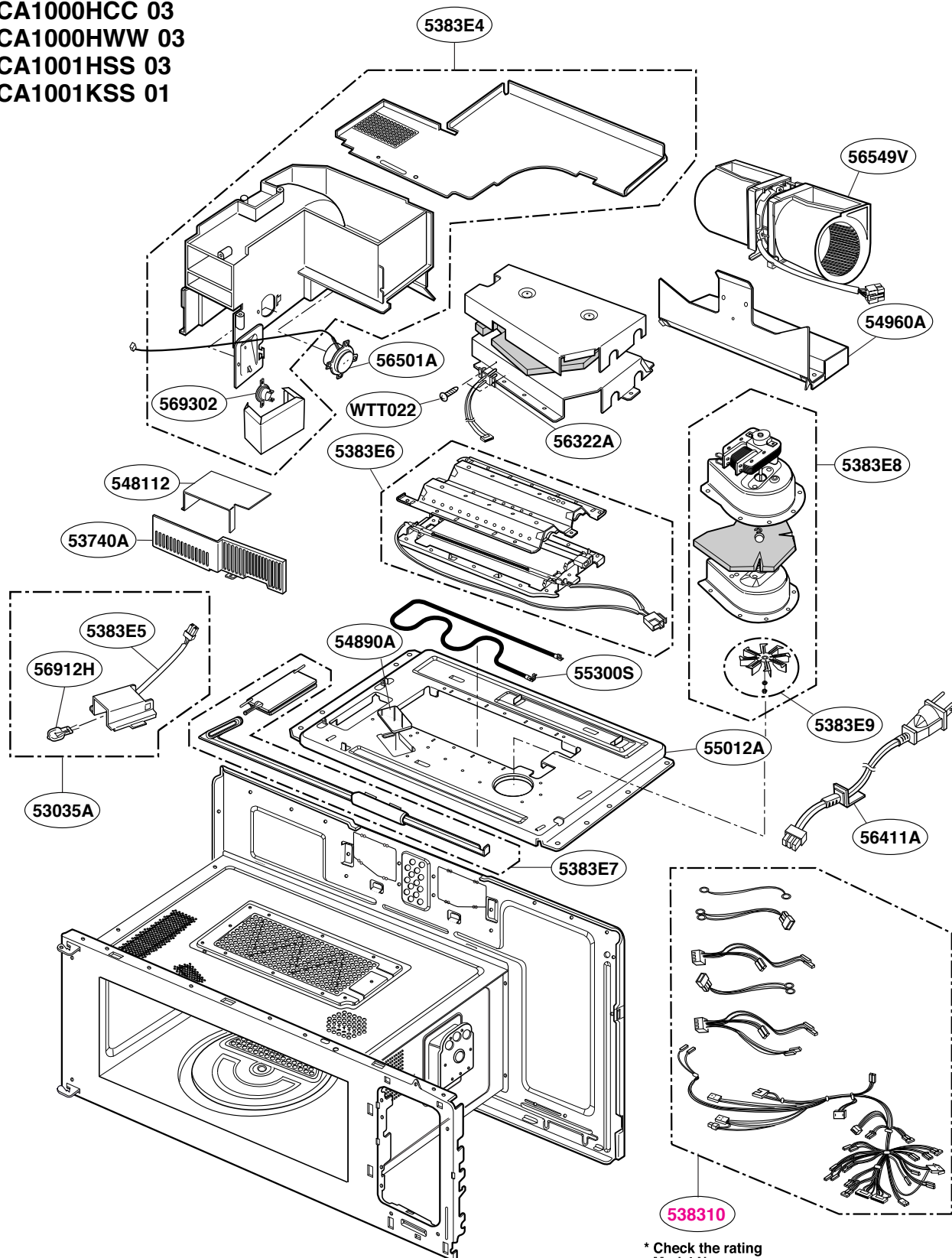


\* Check the rating Model No.

Model: SCA1000HBB 02  
 SCA1000HCC 02  
 SCA1000HWW 02  
 SCA1001HSS 02  
 SCA1000HBB 03  
 SCA1000HCC 03  
 SCA1000HWW 03  
 SCA1001HSS 03  
 SCA1001KSS 01

# INTERIOR PARTS (II - II)

Check the rating label of Model and order SVC parts according to the Model No.

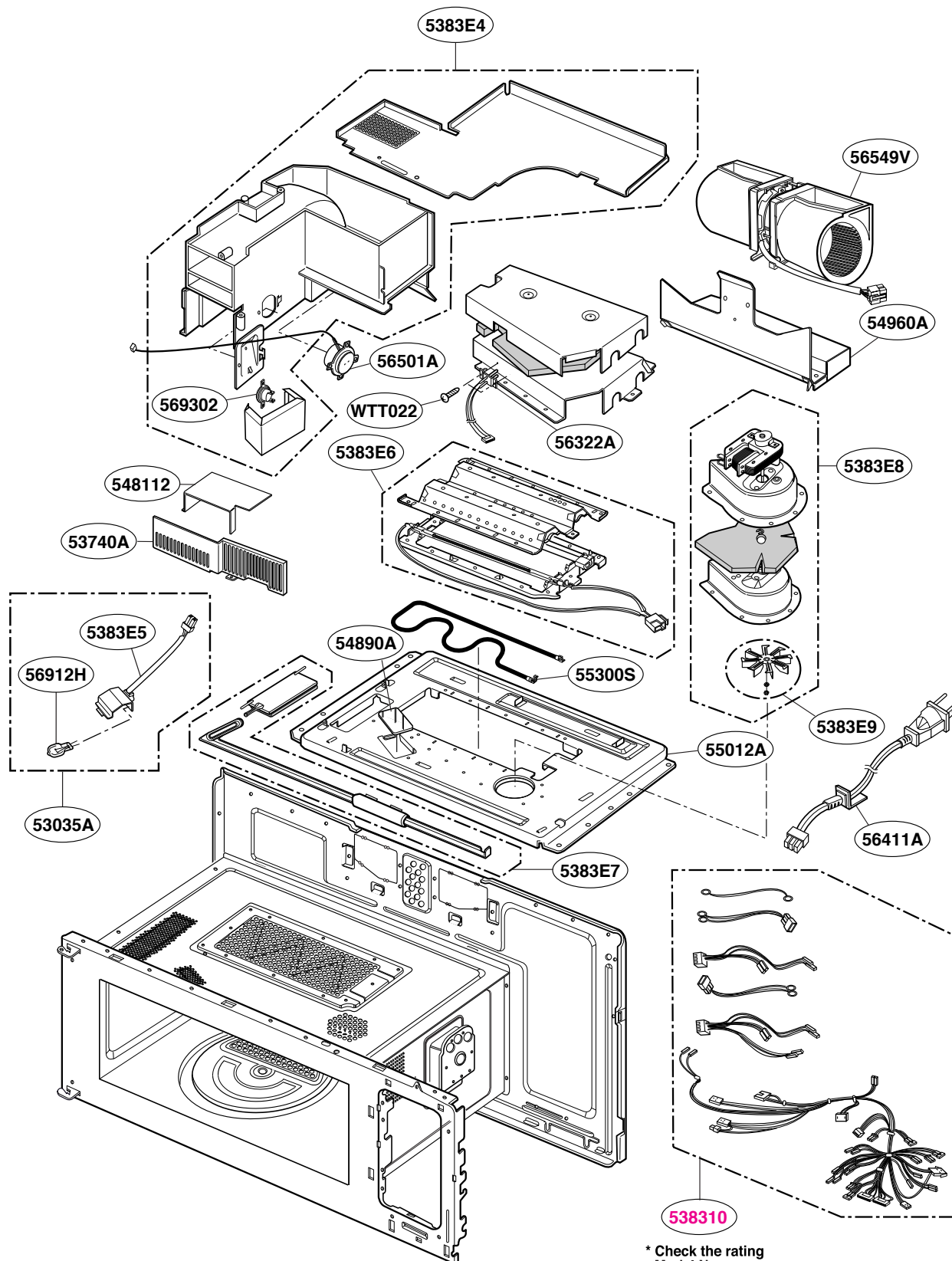


\* Check the rating Model No.

Model: SCA1000HBB 04  
SCA1000HCC 04  
SCA1000HWW 04  
SCA1001KSS 02

# INTERIOR PARTS (II - III)

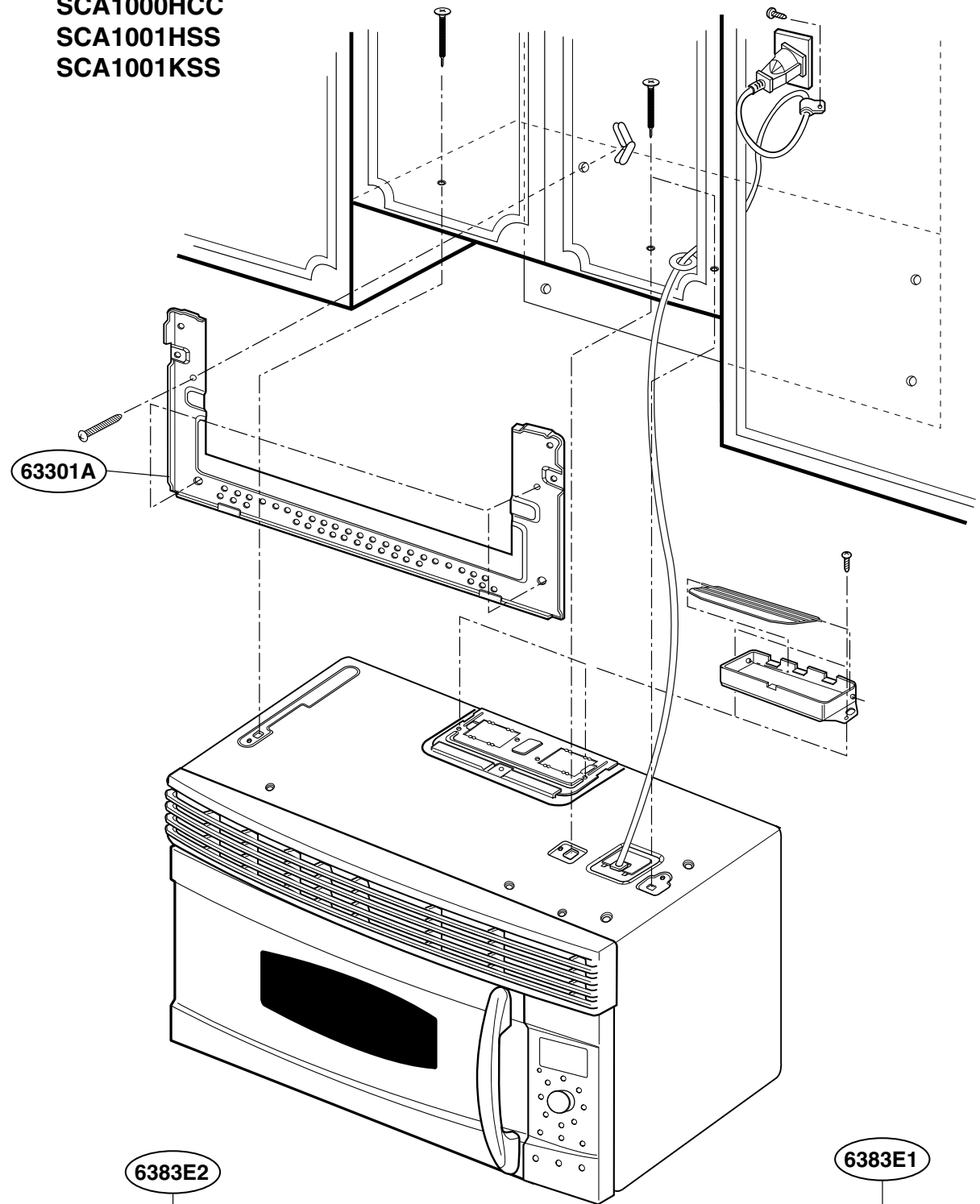
Check the rating label of Model and order SVC parts according to the Model No.



\* Check the rating Model No.

Model: SCA1000HBB  
SCA1000HWW  
SCA1000HCC  
SCA1001HSS  
SCA1001KSS

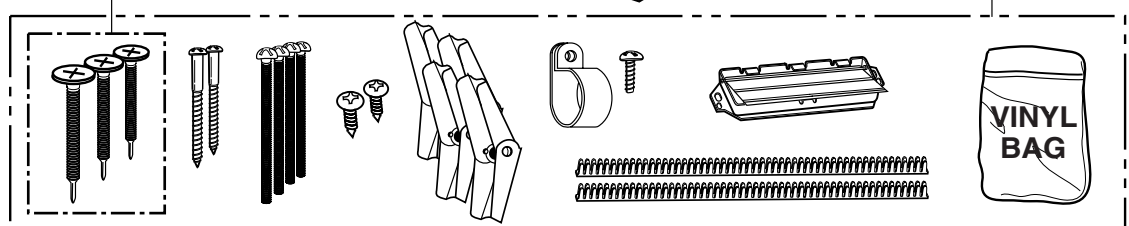
# INSTALLATION PARTS



63301A

6383E2

6383E1



# Part Reference list

Rev.5 Mar 13, 2006  
 Rev.4 Feb 18, 2005  
 Rev.3 Nov 29, 2004  
 Rev.2 Nov 05, 2003  
 Rev.1 Sep 17, 2003

For Model : SCA1000HBB

LOC.NO	OLD DESCRIPTION	NEW DESCRIPTION	DIFFERENCE CHART				SVC	QTY	ALTERNATIVEP ART NO.	REMARKS
			SCA1000HBB/01	SCA1000HBB/02	SCA1000HBB/03	SCA1000HBB/04				
*01	MANUAL,OWNERS	Manual,Owners	3828W5A3717	3828W5A4680	3828W5A4680	MFL30039301	R	1		Change
*03	COOK BOOK	Book,Cook	3878W5A0034				R	1		
*04	MANUAL,INSTALLATION	Manual,Installation	3828W5U0128				R	1		
*05-1	LABEL,COOKING GUIDE	Label,Cooking Guide	3850W5D002A				R	1		
*05-2	LABEL,COOKING GUIDE	Label,Cooking Guide	3850W5D002B				R	1		
*06-1	TEMPLATE	Card,Template	4922W5A022A				R	1		
*06-2	TEMPLATE	Card,Template	4922W5A024A				R	1		
*07	CARD,TECHNICAL	Card,Technical	3840W5T098E	3840W5T098E	3840W5T0036	MBM30035001	R	1		Change
*10	BOX,YELLOW	Box	3890W3Y735A				R	1		
13552A	CHOKE COVER	Cover,Choke	3552W1A044A	3552W1A044B	3552W1A044B	3552W1A044B	R	1		Change
13581A	DOOR ASSEMBLY	Door Assembly	3581W0A095B				R	1		
13650A	SERVICE PARTS(HANDLE ASSY)	Parts Assembly	383EW1A075B				R	1		
1383E1	SERVICE PARTS(DOOR GLOSS SUB ASSY)	Parts Assembly	383EW1A074B				R	1		
1383E2	SERVICE PARTS(LATCH+SPRING)	Parts Assembly	383EW2A001A				R	1		
2383E1	SERVICE PARTS(CONTROL PANEL ASSY)	Parts Assembly	383EW1A015L				R	1		
2383E2	SERVICE PARTS(KEY PCB ASSY)	Parts Assembly	383EW1A020C				R	1		
2383E3	SERVICE PARTS(BUTTON ASSY)	Parts Assembly	383EW1A019L				R	1		
2383E4	SERVICE PARTS(LED HOLDER ASSY)	Parts Assembly	383EW1A037A				R	1		
24781M	CONTROLLER ASSEMBLY,MICOM	Controller Assembly,Keypad	4781W1M352B				R	1		
24940A	KNOB	Knob	4940W3A019B				R	1		
26871S	PWB(PCB) ASSEMBLY,SUB	PCB Assembly,Sub	6871W1S005D				R	1		
33034A	REFLECTOR	Reflector	3034W1A008A	3034W1A008A	3034W1A008A	3034W2A006A	R	1		Change
33052M	CANOPY,MICA	Cover,Insulator	3052W3M025A				R	1		
33112U	OUT CASE,U-BENDING	Case,U Bending	3112W0U043B				R	1		
33390G	TRAY,GLASS	Tray,Glass	1B71961A				R	1	1B71961E	
33390M	TRAY,METAL	Tray,Metal	3390W2M005B				R	1		
33531A	GRILLE ASSEMBLY	Grille Assembly	3531W1A017F				R	1		
33550P	COVER,POWER CORD	Cover,Power Cord	3550W3A084A				R	1		
33809A	COVER ASSEMBLY,BACK	Cover Assembly,Rear	3809W0A002C				R	1		
3383E1	SERVICE PARTS(T/T MOTOR ASSY)	Parts Assembly	383EW1A022A	383EW1A022A	383EW1A022C	383EW1A022C	R	1		Change
3383E3	SERVICE PARTS(COOKTOP GLASS ASSY)	Parts Assembly	383EW1A021B				R	1		
3383E4	SERVICE PARTS(GREASE FILTER ASSY)	Parts Assembly	383EW1A023A				R	2		
3383E5	SERVICE PARTS(BASE PLATE ASSY)	Parts Assembly	383EW1A036H	383EW1A036H	383EW1A036H	383EW1A036K	R	1		Change
34021A	HOLDER ASSEMBLY	Holder Assembly	4021W3A001A				R	2		
34371A	SHAFT,TURN TABLE	Shaft,Turntable	4371W1A001A				R	1		
34810G	BRACKET,MISC	Bracket,Idle	4810W3G142A				R	2		
34931A	HOLDER ASSEMBLY	Holder Assembly	4931W1A009G	4931W1A009G	4931W1A009G	4931W3A004B	R	1		Change
34960A	MOUNT	Plate	4960W1A008B				R	1		
35889A	ROTATING RING ASSEMBLY	Turntable Assembly	5889W1A001D	5889W1A001D	5889W1A011A	5889W1A011A	R	1		Change
36912H	LAMP,HALOGEN	Lamp,Halogen	6912A40002A	6912A40002A	6912A40002D	6912W3H001D	R	1		Change
4383E1	SERVICE PARTS	Parts Assembly	383EW1A005A				R	1		
466001	SWITCH,MICRO	Switch,Micro	6600W1K004C				R	2	6600W1K001D	
466003	SWITCH,MICRO	Switch,Micro	6600W1K004B				R	1	6600W1K001C	
50CZZH	CAPACITOR,DRAWING[HIGH VOLTAGE]	Capacitor,AL,Radial	0CZZW1H004B				R	1	6120W3H003H	
50CZZM	CAPACITOR,DRAWING[MOTOR CONDENSER]	Capacitor,Film,Box	0CZZW1M001C				R	1	3B72440F	
50FZZ1	FUSE,DRAWING	Fuse,Time Delay	3B74133K				R	1		
50FZZ2	FUSE,DRAWING	Fuse,Time Delay	3B70856T				R	1		
53035A	REFLECTOR ASSEMBLY	Reflector Assembly	3035W1A008E	3035W1A008E	3035W1A008E	3035W1A006D	R	1		ADD
53035B	PARTS ASSEMBLY	Parts Assembly	383EW1A136A	383EW1A136A	383EW1A136A	383EW1A136C	R	1		ADD

LOC.NO	OLD DESCRIPTION	NEW DESCRIPTION	DIFFERENCE CHART				SVC	QTY	ALTERNATIVEP ART NO.	REMARKS
			SCA1000HBB/01	SCA1000HBB/02	SCA1000HBB/03	SCA1000HBB/04				
53300A	PLATE,BOTTOM	Plate,Bottom	3300W1A001A				R	1		
53551A	COVER ASSEMBLY,HEATER COVER	Cover Assembly,Heater	3551W1A024A	3551W1A024A	3551W1A024A	3551W1A024A	R	1		Delete
53740A	PROTECTOR (MECH)	Supporter	3740W3A004A				R	1		
538310	SERVICE PARTS(HARNESS TOTAL ASSY)	Parts Assembly	383EW1A030C	383EW1A030C	383EW1A030E	383EW1A030F	R	1		Change
5383E1	SERVICE PARTS(DAMPER INLET ASSY)	Parts Assembly	383EW1A025A	383EW1A025A	383EW1A025B	383EW1A025A	R	1		Change
5383E3	SERVICE PARTS(REFLECTOR-L ASSY)	Parts Assembly	383EW1A024A				R	1		
5383E4	SERVICE PARTS(AIR DUCT+HEATER COVER)	Parts Assembly	383EW1A027A	383EW1A080A	383EW1A080A	383EW1A080A	R	1		Change
5383E5	SERVICE PARTS(LAMP REFLECTOR ASSY)	Parts Assembly	383EW1A028D	383EW1A028D	383EW1A028D	383EW1A028F	R	1		Change
5383E6	SERVICE PARTS(REFLECTOR-U ASSY)	Parts Assembly	383EW1A033A				R	1		
5383E7	SERVICE PARTS(DAMPER OUTLET ASSY)	Parts Assembly	383EW1A029A				R	1		
5383E8	SERVICE PARTS(BLOWER ASSY)	Parts Assembly	383EW1A031A				R	1		
5383E9	SERVICE PARTS(CONVECTION FAN ASSY)	Parts Assembly	383EW1A032A				R	1		
54810Q	BRACKET,MOUNT	Bracket,Mount	4810W2Q001A				R	1		
548111	BRACKET ASSEMBLY	Bracket Assembly	4811W3A016A				R	1		
548112	BRACKET ASSEMBLY	Bracket Assembly	4811W1A003A				R	1		
54890A	GLASS	Window	4890W3A010A				R	1		
54960A	MOUNT	Plate	4960W2A004A				R	1		
54974A	GUIDE,SUCTION	Guide,Suction	4974W0A001A				R	1		
55012A	INSULATOR	Insulator	5012W1A003A				R	1		
55300S	HEATER,SHEATH	Heater,Sheath	5300W1S010B				R	1	5300W1S010A	
55900A	FAN	Fan	2B72125A				R	1		
56010L	TRANSFORMER, LINEAR	Transformer,Linear	-	-	-	6010W2L003D	R	1		ADD
56021B	CABLE ASSEMBLY	Drawing,Assembly	6021W3B001Q	6021W3B001U	6021W3B001U	6021W3B001U	R	1	6021W3B001A	Change
56170D	TRANSFORMER,HIGH VOLTAGE	Transformer,Linear	6170W1D049B				R	1	6170W1D051D	
56170G	TRANSFORMER,POWER	Transformer,Linear	6170W2G015A				R	1		
56201A	FILTER,AC LINE	Filter,AC Line	-	-	2B72130F	2B72130F	R	1		ADD
56322A	THERMISTOR,NTC	Thermistor,NTC	6322W1A001A				R	1		
56324A	MAGNETRON	Magnetron	6324W1A001A				R	1		
56411A	POWER CORD ASSEMBLY	Power Cord Assembly	6411W1A014W	6411W1A014W	6411W1A014U	6411W1A014Y	R	1	6411W1A014V	Change
56501A	SENSOR ASSEMBLY	Sensor Assembly	6501W1A004A				R	1		
56549F	MOTOR(CIRC),FAN	Motor,AC	2B73670L	2B73670L	6549W1F001W	6549W1F001W	R	1		Change
56549V	MOTOR(CIRC),VENTILATION	Motor,AC	6549W1V006B				R	1		
56820A	FUSE HOLDER	Fuse Holder	4930W3B025B	4930W3B025B	4930W3B025B	4930W3B025B	R	1		Delete
56871S	PWB(PCB) ASSEMBLY,SUB	PCB Assembly,Sub	6871W2S246B	6871W2S246B	6871W2S246B	6871W2S246D	R	1		Change
56912H	LAMP,HALOGEN	Lamp,Halogen	6912A40002D	6912A40002D	6912A40002D	6912W3H001C	R	1		ADD
569301	THERMOSTAT	Thermostat	3B70068V				R	1		
569302	THERMOSTAT	Thermostat	6930W1A003D	6930W1A003D	6930W1A003D	6930W1A002E	R	1	6930W1A002F	Change
63301A	PLATE ASSEMBLY	Plate Assembly	3301W1A028A				R	1		
6383E1	SERVICE PARTS(MOUNTING KIT ASSY)	Parts Assembly	383EW2A002A				R	1		
6383E2	SERVICE PARTS(MOUNTING BOTS)	Parts Assembly	383EW1A038A				R	1		
9383EA	SERVICE PARTS(HARDWARE BAG)	Parts Assembly	383EW1A081C				R	1		
WSZ002	SCREW TAP TITE(S),BINDING HEAD	Screw,TapTite	1SBF0402418				R	6		
WSZ084	SCREW,DRAWING	Screw,Customzied	4B70188B				R	2		
WTP015	SCREW TAPPING	Screw,Tapping	1TPL0402618				R	2		
WTT022	SCREW TAPPING,TRUSS HEAD	Screw,Tapping	1TTL0402422				R	13		
WTT028	SCREW TAPPING,TRUSS HEAD	Screw,Tapping	1TTL0402818				R	40		
WTT030	SCREW TAPPING,TRUSS HEAD	Screw,Tapping	1TTL0403118				R	1		

# Part Reference list

Rev.5 Mar 13, 2006  
 Rev.4 Feb 18, 2005  
 Rev.3 Nov 29, 2004  
 Rev.2 Nov 05, 2003  
 Rev.1 Sep 17, 2003

For Model : SCA1000HCC

LOC.NO	OLD DESCRIPTION	NEW DESCRIPTION	DIFFERENCE CHART				SVC	QTY	ALTERNATIVEP ART NO.	REMARKS
			SCA1000HCC/01	SCA1000HCC/02	SCA1000HCC/03	SCA1000HCC/04				
*01	MANUAL,OWNERS	Manual,Owners	3828W5A3717	3828W5A4680	3828W5A4680	MFL30039301	R	1		Change
*03	COOK BOOK	Book,Cook	3878W5A0034				R	1		
*04	MANUAL,INSTALLATION	Manual,Installation	3828W5U0128				R	1		
*05-1	LABEL,COOKING GUIDE	Label,Cooking Guide	3850W5D002A				R	1		
*05-2	LABEL,COOKING GUIDE	Label,Cooking Guide	3850W5D002B				R	1		
*06-1	TEMPLATE	Card,Template	4922W5A022A				R	1		
*06-2	TEMPLATE	Card,Template	4922W5A024A				R	1		
*07	CARD,TECHNICAL	Card,Technical	3840W5T098E	3840W5T098E	3840W5T0036	MBM30035001	R	1		Change
*10	BOX,YELLOW	Box	3890W3Y735A				R	1		
13552A	CHOKE COVER	Cover,Choke	3552W1A044A	3552W1A044B	3552W1A044B	3552W1A044B	R	1		Change
13581A	DOOR ASSEMBLY	Door Assembly	3581W0A095C				R	1		
13650A	SERVICE PARTS(HANDLE ASSY)	Parts Assembly	383EW1A075C				R	1		
1383E1	SERVICE PARTS(DOOR GLOSS SUB ASSY)	Parts Assembly	383EW1A074C				R	1		
1383E2	SERVICE PARTS(LATCH+SPRING)	Parts Assembly	383EW2A001A				R	1		
2383E1	SERVICE PARTS(CONTROL PANEL ASSY)	Parts Assembly	383EW1A015M				R	1		
2383E2	SERVICE PARTS(KEY PCB ASSY)	Parts Assembly	383EW1A020C				R	1		
2383E3	SERVICE PARTS(BUTTON ASSY)	Parts Assembly	383EW1A019M				R	1		
2383E4	SERVICE PARTS(LED HOLDER ASSY)	Parts Assembly	383EW1A037A				R	1		
24781M	CONTROLLER ASSEMBLY,MICOM	Controller Assembly,Keypad	4781W1M352C				R	1		
24940A	KNOB	Knob	4940W3A019D				R	1		
26871S	PWB(PCB) ASSEMBLY,SUB	PCB Assembly,Sub	6871W1S005D				R	1		
33034A	REFLECTOR	Reflector	3034W1A008A	3034W1A008A	3034W1A008A	3034W2A006A	R	1		Change
33052M	CANOPY,MICA	Cover,Insulator	3052W3M025A				R	1		
33112U	OUT CASE,U-BENDING	Case,U Bending	3112W0U043D				R	1		
33390G	TRAY,GLASS	Tray,Glass	1B71961A				R	1		
33390M	TRAY,METAL	Tray,Metal	3390W2M005B				R	1		
33531A	GRILLE ASSEMBLY	Grille Assembly	3531W1A017G				R	1		
33550P	COVER,POWER CORD	Cover,Power Cord	3550W3A084A				R	1		
33809A	COVER ASSEMBLY,BACK	Cover Assembly,Rear	3809W0A002C				R	1		
3383E1	SERVICE PARTS(T/T MOTOR ASSY)	Parts Assembly	383EW1A022A	383EW1A022A	383EW1A022C	383EW1A022C	R	1		Change
3383E3	SERVICE PARTS(COOKTOP GLASS ASSY)	Parts Assembly	383EW1A021A				R	1		
3383E4	SERVICE PARTS(GREASE FILTER ASSY)	Parts Assembly	383EW1A023A				R	2		
3383E5	SERVICE PARTS(BASE PLATE ASSY)	Parts Assembly	383EW1A036G	383EW1A036G	383EW1A036G	383EW1A036J	R	1		Change
34021A	HOLDER ASSEMBLY	Holder Assembly	4021W3A001A				R	2		
34371A	SHAFT,TURN TABLE	Shaft,Turntable	4371W1A001A				R	1		
34810G	BRACKET,MISC	Bracket,Idle	4810W3G142A				R	2		
34931A	HOLDER ASSEMBLY	Holder Assembly	4931W1A009G	4931W1A009G	4931W1A009G	4931W3A004B	R	1		Change
34960A	MOUNT	Plate	4960W1A008B				R	1		
35889A	ROTATING RING ASSEMBLY	Turntable Assembly	5889W1A001D	5889W1A001D	5889W1A011A	5889W1A011A	R	1		Change
36912H	LAMP,HALOGEN	Lamp,Halogen	6912A40002A	6912A40002A	6912A40002D	6912W3H001D	R	1		Change
4383E1	SERVICE PARTS	Parts Assembly	383EW1A005A				R	1		
466001	SWITCH,MICRO	Switch,Micro	6600W1K004C				R	2		
466003	SWITCH,MICRO	Switch,Micro	6600W1K004B				R	1		
50CZZH	CAPACITOR,DRAWING[HIGH VOLTAGE]	Capacitor,AL,Radial	0CZZW1H004B				R	1		
50CZZM	CAPACITOR,DRAWING[MOTOR CONDENSER]	Capacitor,Film,Box	0CZZW1M001C				R	1		
50FZZ1	FUSE,DRAWING	Fuse,Time Delay	3B74133K				R	1		
50FZZ2	FUSE,DRAWING	Fuse,Time Delay	3B70856T				R	1		
53035A	REFLECTOR ASSEMBLY	Reflector Assembly	3035W1A008E	3035W1A008E	3035W1A008E	3035W1A006D	R	1		ADD
53035B	PARTS ASSEMBLY	Parts Assembly	383EW1A136A	383EW1A136A	383EW1A136A	383EW1A136C	R	1		ADD

LOC.NO	OLD DESCRIPTION	NEW DESCRIPTION	DIFFERENCE CHART				SVC	QTY	ALTERNATIVEP ART NO.	REMARKS
			SCA1000HCC/01	SCA1000HCC/02	SCA1000HCC/03	SCA1000HCC/04				
53300A	PLATE,BOTTOM	Plate,Bottom	3300W1A001A				R	1		
53551A	COVER ASSEMBLY,HEATER COVER	Cover Assembly,Heater	3551W1A024A	3551W1A024A	3551W1A024A	3551W1A024A	R	1		Delete
53740A	PROTECTOR (MECH)	Supporter	3740W3A004A				R	1		
538310	SERVICE PARTS(HARNESS TOTAL ASSY)	Parts Assembly	383EW1A030C	383EW1A030C	383EW1A030E	383EW1A030F	R	1		Change
5383E1	SERVICE PARTS(DAMPER INLET ASSY)	Parts Assembly	383EW1A025A	383EW1A025A	383EW1A025B	383EW1A025A	R	1		Change
5383E3	SERVICE PARTS(REFLECTOR-L ASSY)	Parts Assembly	383EW1A024A				R	1		
5383E4	SERVICE PARTS(AIR DUCT+HEATER COVER)	Parts Assembly	383EW1A027A	383EW1A080A	383EW1A080A	383EW1A080A	R	1		Change
5383E5	SERVICE PARTS(LAMP REFLECTOR ASSY)	Parts Assembly	383EW1A028D	383EW1A028D	383EW1A028D	383EW1A028F	R	1		Change
5383E6	SERVICE PARTS(REFLECTOR-U ASSY)	Parts Assembly	383EW1A033A				R	1		
5383E7	SERVICE PARTS(DAMPER OUTLET ASSY)	Parts Assembly	383EW1A029A				R	1		
5383E8	SERVICE PARTS(BLOWER ASSY)	Parts Assembly	383EW1A031A				R	1		
5383E9	SERVICE PARTS(CONVECTION FAN ASSY)	Parts Assembly	383EW1A032A				R	1		
54810Q	BRACKET,MOUNT	Bracket,Mount	4810W2Q001A				R	1		
548111	BRACKET ASSEMBLY	Bracket Assembly	4811W3A016A				R	1		
548112	BRACKET ASSEMBLY	Bracket Assembly	4811W1A003A				R	1		
54890A	GLASS	Window	4890W3A010A				R	1		
54960A	MOUNT	Plate	4960W2A004A				R	1		
54974A	GUIDE,SUCTION	Guide,Suction	4974W0A001A				R	1		
55012A	INSULATOR	Insulator	5012W1A003A				R	1		
55300S	HEATER,SHEATH	Heater,Sheath	5300W1S010B				R	1		
55900A	FAN	Fan	2B72125A				R	1		
56010L	TRANSFORMER, LINEAR	Transformer,Linear	-	-	-	6010W2L003D	R	1		ADD
56021B	CABLE ASSEMBLY	Drawing,Assembly	6021W3B001Q	6021W3B001U	6021W3B001U	6021W3B001U	R	1		Change
56170D	TRANSFORMER,HIGH VOLTAGE	Transformer,Linear	6170W1D049B				R	1		
56170G	TRANSFORMER,POWER	Transformer,Linear	6170W2G015A				R	1		
56201A	FILTER,AC LINE	Filter,AC Line	-	-	2B72130F	2B72130F	R	1		ADD
56322A	THERMISTOR,NTC	Thermistor,NTC	6322W1A001A				R	1		
56324A	MAGNETRON	Magnetron	6324W1A001A				R	1		
56411A	POWER CORD ASSEMBLY	Power Cord Assembly	6411W1A014W	6411W1A014W	6411W1A014U	6411W1A014Y	R	1		Change
56501A	SENSOR ASSEMBLY	Sensor Assembly	6501W1A004A				R	1		
56549F	MOTOR(CIRC),FAN	Motor,AC	2B73670L	2B73670L	6549W1F001W	6549W1F001W	R	1		Change
56549V	MOTOR(CIRC),VENTILATION	Motor,AC	6549W1V006B				R	1		
56820A	FUSE HOLDER	Fuse Holder	4930W3B025B	4930W3B025B	4930W3B025B	4930W3B025B	R	1		Delete
56871S	PWB(PCB) ASSEMBLY,SUB	PCB Assembly,Sub	6871W2S246B	6871W2S246B	6871W2S246B	6871W2S246D	R	1		Change
56912H	LAMP,HALOGEN	Lamp,Halogen	6912A40002D	6912A40002D	6912A40002D	6912W3H001C	R	1		ADD
569301	THERMOSTAT	Thermostat	3B70068V				R	1		
569302	THERMOSTAT	Thermostat	6930W1A003D	6930W1A003D	6930W1A003D	6930W1A002E	R	1		Change
63301A	PLATE ASSEMBLY	Plate Assembly	3301W1A028A				R	1		
6383E1	SERVICE PARTS(MOUNTING KIT ASSY)	Parts Assembly	383EW2A002A				R	1		
6383E2	SERVICE PARTS(MOUNTING BOTS)	Parts Assembly	383EW1A038A				R	1		
9383EA	SERVICE PARTS(HARDWARE BAG)	Parts Assembly	383EW1A081C				R	1		ADD
WSZ002	SCREW TAP TITE(S),BINDING HEAD	Screw,TapTite	1SBF0402418				R	6		
WSZ084	SCREW,DRAWING	Screw,Customzied	4B70188B				R	2		
WTP015	SCREW TAPPING	Screw,Tapping	1TPL0402618							
WTT022	SCREW TAPPING,TRUSS HEAD	Screw,Tapping	1TTL0402422				R	13		
WTT028	SCREW TAPPING,TRUSS HEAD	Screw,Tapping	1TTL0402818				R	40		
WTT030	SCREW TAPPING,TRUSS HEAD	Screw,Tapping	1TTL0403118				R	1		

# Part Reference list

Rev.5 Mar 13, 2006  
 Rev.4 Feb 18, 2005  
 Rev.3 Nov 29, 2004  
 Rev.2 Nov 05, 2003  
 Rev.1 Sep 17, 2003

For Model : SCA1000HWW

LOC.NO	OLD DESCRIPTION	NEW DESCRIPTION	DIFFERENCE CHART				SVC	QTY	ALTERNATIVEP ART NO.	REMARKS
			SCA1000HWW/01	SCA1000HWW/02	SCA1000HWW/03	SCA1000HWW/04				
*01	MANUAL,OWNERS	Manual,Owners	3828W5A3717	3828W5A4680	3828W5A4680	MFL30039301	R	1		Change
*03	COOK BOOK	Book,Cook	3878W5A0034				R	1		
*04	MANUAL,INSTALLATION	Manual,Installation	3828W5U0128				R	1		
*05-1	LABEL,COOKING GUIDE	Label,Cooking Guide	3850W5D002A				R	1		
*05-2	LABEL,COOKING GUIDE	Label,Cooking Guide	3850W5D002B				R	1		
*06-1	TEMPLATE	Card,Template	4922W5A022A				R	1		
*06-2	TEMPLATE	Card,Template	4922W5A024A				R	1		
*07	CARD,TECHNICAL	Card,Technical	3840W5T098E	3840W5T098E	3840W5T0036	MBM30035001	R	1		Change
*10	BOX,YELLOW	Box	3890W3Y735A				R	1		
13552A	CHOKE COVER	Cover,Choke	3552W1A044A	3552W1A044B	3552W1A044B	3552W1A044B	R	1		Change
13581A	DOOR ASSEMBLY	Door Assembly	3581W0A095A				R	1		
13650A	SERVICE PARTS(HANDLE ASSY)	Parts Assembly	383EW1A075A				R	1		
1383E1	SERVICE PARTS(DOOR GLOSS SUB ASSY)	Parts Assembly	383EW1A074A				R	1		
1383E2	SERVICE PARTS(LATCH+SPRING)	Parts Assembly	383EW2A001A				R	1		
2383E1	SERVICE PARTS(CONTROL PANEL ASSY)	Parts Assembly	383EW1A015K				R	1		
2383E2	SERVICE PARTS(KEY PCB ASSY)	Parts Assembly	383EW1A020C				R	1		
2383E3	SERVICE PARTS(BUTTON ASSY)	Parts Assembly	383EW1A019K				R	1		
2383E4	SERVICE PARTS(LED HOLDER ASSY)	Parts Assembly	383EW1A037A				R	1		
24781M	CONTROLLER ASSEMBLY,MICOM	Controller Assembly,Keypad	4781W1M352A				R	1		
24940A	KNOB	Knob	4940W3A019A				R	1		
26871S	PWB(PCB) ASSEMBLY,SUB	PCB Assembly,Sub	6871W1S005D				R	1		
33034A	REFLECTOR	Reflector	3034W1A008A	3034W1A008A	3034W1A008A	3034W2A006A	R	1		Change
33052M	CANOPY,MICA	Cover,Insulator	3052W3M025A				R	1		
33112U	OUT CASE,U-BENDING	Case,U Bending	3112W0U043A				R	1		
33390G	TRAY,GLASS	Tray,Glass	1B71961A				R	1	1B71961E	
33390M	TRAY,METAL	Tray,Metal	3390W2M005B				R	1		
33531A	GRILLE ASSEMBLY	Grille Assembly	3531W1A017E				R	1		
33550P	COVER,POWER CORD	Cover,Power Cord	3550W3A084A				R	1		
33809A	COVER ASSEMBLY,BACK	Cover Assembly,Rear	3809W0A002C				R	1		
3383E1	SERVICE PARTS(T/T MOTOR ASSY)	Parts Assembly	383EW1A022A	383EW1A022A	383EW1A022C	383EW1A022C	R	1		Change
3383E3	SERVICE PARTS(COOKTOP GLASS ASSY)	Parts Assembly	383EW1A021A				R	1		
3383E4	SERVICE PARTS(GREASE FILTER ASSY)	Parts Assembly	383EW1A023A				R	2		
3383E5	SERVICE PARTS(BASE PLATE ASSY)	Parts Assembly	383EW1A036G	383EW1A036G	383EW1A036G	383EW1A036J	R	1		Change
34021A	HOLDER ASSEMBLY	Holder Assembly	4021W3A001A				R	2		
34371A	SHAFT,TURN TABLE	Shaft,Turntable	4371W1A001A				R	1		
34810G	BRACKET,MISC	Bracket,Idle	4810W3G142A				R	2		
34931A	HOLDER ASSEMBLY	Holder Assembly	4931W1A009G	4931W1A009G	4931W1A009G	4931W3A004B	R	1		Change
34960A	MOUNT	Plate	4960W1A008B				R	1		
35889A	ROTATING RING ASSEMBLY	Turntable Assembly	5889W1A001D	5889W1A001D	5889W1A011A	5889W1A011A	R	1		Change
36912H	LAMP,HALOGEN	Lamp,Halogen	6912A40002A	6912A40002A	6912A40002D	6912W3H001D	R	1		Change
4383E1	SERVICE PARTS	Parts Assembly	383EW1A005A				R	1		
466001	SWITCH,MICRO	Switch,Micro	6600W1K004C				R	2	6600W1K001D	
466003	SWITCH,MICRO	Switch,Micro	6600W1K004B				R	1	6600W1K001C	
50CZZH	CAPACITOR,DRAWING[HIGH VOLTAGE]	Capacitor,AL,Radial	0CZZW1H004B				R	1	6120W3H003H	
50CZZM	CAPACITOR,DRAWING[MOTOR CONDENSER]	Capacitor,Film,Box	0CZZW1M001C				R	1	3B72440F	
50FZZ1	FUSE,DRAWING	Fuse,Time Delay	3B74133K				R	1		
50FZZ2	FUSE,DRAWING	Fuse,Time Delay	3B70856T				R	1		
53035A	REFLECTOR ASSEMBLY	Reflector Assembly	3035W1A008E	3035W1A008E	3035W1A008E	3035W1A006D	R	1		ADD
53035B	PARTS ASSEMBLY	Parts Assembly	383EW1A136A	383EW1A136A	383EW1A136A	383EW1A136C	R	1		ADD

LOC.NO	OLD DESCRIPTION	NEW DESCRIPTION	DIFFERENCE CHART				SVC	QTY	ALTERNATIVEP ART NO.	REMARKS
			SCA1000HWW/01	SCA1000HWW/02	SCA1000HWW/03	SCA1000HWW/04				
53300A	PLATE,BOTTOM	Plate,Bottom	3300W1A001A				R	1		
53551A	COVER ASSEMBLY,HEATER COVER	Cover Assembly,Heater	3551W1A024A	3551W1A024A	3551W1A024A	3551W1A024A	R	1		Delete
53740A	PROTECTOR (MECH)	Supporter	3740W3A004A				R	1		
538310	SERVICE PARTS(HARNESS TOTAL ASSY)	Parts Assembly	383EW1A030C	383EW1A030C	383EW1A030E	383EW1A030F	R	1		Change
5383E1	SERVICE PARTS(DAMPER INLET ASSY)	Parts Assembly	383EW1A025A	383EW1A025A	383EW1A025B	383EW1A025A	R	1		Change
5383E3	SERVICE PARTS(REFLECTOR-L ASSY)	Parts Assembly	383EW1A024A				R	1		
5383E4	SERVICE PARTS(AIR DUCT+HEATER COVER)	Parts Assembly	383EW1A027A	383EW1A080A	383EW1A080A	383EW1A080A	R	1		Change
5383E5	SERVICE PARTS(LAMP REFLECTOR ASSY)	Parts Assembly	383EW1A028D	383EW1A028D	383EW1A028D	383EW1A028F	R	1		Change
5383E6	SERVICE PARTS(REFLECTOR-U ASSY)	Parts Assembly	383EW1A033A				R	1		
5383E7	SERVICE PARTS(DAMPER OUTLET ASSY)	Parts Assembly	383EW1A029A				R	1		
5383E8	SERVICE PARTS(BLOWER ASSY)	Parts Assembly	383EW1A031A				R	1		
5383E9	SERVICE PARTS(CONVECTION FAN ASSY)	Parts Assembly	383EW1A032A				R	1		
54810Q	BRACKET,MOUNT	Bracket,Mount	4810W2Q001A				R	1		
548111	BRACKET ASSEMBLY	Bracket Assembly	4811W3A016A				R	1		
548112	BRACKET ASSEMBLY	Bracket Assembly	4811W1A003A				R	1		
54890A	GLASS	Window	4890W3A010A				R	1		
54960A	MOUNT	Plate	4960W2A004A				R	1		
54974A	GUIDE,SUCTION	Guide,Suction	4974W0A001A				R	1		
55012A	INSULATOR	Insulator	5012W1A003A				R	1		
55300S	HEATER,SHEATH	Heater,Sheath	5300W1S010B				R	1	5300W1S010A	
55900A	FAN	Fan	2B72125A				R	1		
56010L	TRANSFORMER, LINEAR	Transformer,Linear	-	-	-	6010W2L003D	R	1		ADD
56021B	CABLE ASSEMBLY	Drawing,Assembly	6021W3B001Q	6021W3B001U	6021W3B001U	6021W3B001U	R	1	6021W3B001A	Change
56170D	TRANSFORMER,HIGH VOLTAGE	Transformer,Linear	6170W1D049B				R	1	6170W1D051D	
56170G	TRANSFORMER,POWER	Transformer,Linear	6170W2G015A				R	1		
56201A	FILTER,AC LINE	Filter,AC Line	-	-	2B72130F	2B72130F	R	1		ADD
56322A	THERMISTOR,NTC	Thermistor,NTC	6322W1A001A				R	1		
56324A	MAGNETRON	Magnetron	6324W1A001A				R	1		
56411A	POWER CORD ASSEMBLY	Power Cord Assembly	6411W1A014W	6411W1A014W	6411W1A014U	6411W1A014Y	R	1	6411W1A014V	Change
56501A	SENSOR ASSEMBLY	Sensor Assembly	6501W1A004A				R	1		
56549F	MOTOR(CIRC),FAN	Motor,AC	2B73670L	2B73670L	6549W1F001W	6549W1F001W	R	1		Change
56549V	MOTOR(CIRC),VENTILATION	Motor,AC	6549W1V006B				R	1		
56820A	FUSE HOLDER	Fuse Holder	4930W3B025B	4930W3B025B	4930W3B025B	4930W3B025B	R	1		Delete
56871S	PWB(PCB) ASSEMBLY,SUB	PCB Assembly,Sub	6871W2S246B	6871W2S246B	6871W2S246B	6871W2S246D	R	1		Change
56912H	LAMP,HALOGEN	Lamp,Halogen	6912A40002D	6912A40002D	6912A40002D	6912W3H001C	R	1		ADD
569301	THERMOSTAT	Thermostat	3B70068V				R	1		
569302	THERMOSTAT	Thermostat	6930W1A003D	6930W1A003D	6930W1A003D	6930W1A002E	R	1	6930W1A002F	Change
63301A	PLATE ASSEMBLY	Plate Assembly	3301W1A028A				R	1		
6383E1	SERVICE PARTS(MOUNTING KIT ASSY)	Parts Assembly	383EW2A002A				R	1		
6383E2	SERVICE PARTS(MOUNTING BOTS)	Parts Assembly	383EW1A038A				R	1		
9383EA	SERVICE PARTS(HARDWARE BAG)	Parts Assembly	383EW1A081C				R	1		
WSZ002	SCREW TAP TITE(S),BINDING HEAD	Screw,TapTite	1SBF0402418				R	6		
WSZ084	SCREW,DRAWING	Screw,Customzied	4B70188B				R	2		
WTP015	SCREW TAPPING	Screw,Tapping	1TPL0402618				R	2		
WTT022	SCREW TAPPING,TRUSS HEAD	Screw,Tapping	1TTL0402422				R	13		
WTT028	SCREW TAPPING,TRUSS HEAD	Screw,Tapping	1TTL0402818				R	40		
WTT030	SCREW TAPPING,TRUSS HEAD	Screw,Tapping	1TTL0403118				R	1		

# Part Reference list

Rev.2 Mar 13, 2006  
Rev.1 Jun 28, 2005

For Model : SCA1001KSS

LOC.NO	OLD DESCRIPTION	NEW DESCRIPTION	DIFFERENCE CHART			SVC	QTY	ALTERNATIVEP ART NO.	REMARKS
			SCA1001HSS/03	SCA1001KSS/01	SCA1001KSS/02				
*01	MANUAL,OWNERS	Manual,Owners	3828W5A3717	3828W5A4680	MFL30039301	R	1		Change
*03	COOK BOOK	Book,Cook	3878W5A0034			R	1		
*04	MANUAL,INSTALLATION	Manual,Installation	3828W5U0128			R	1		
*05-1	LABEL,COOKING GUIDE	Label,Cooking Guide	3850W5D002A			R	1		
*05-2	LABEL,COOKING GUIDE	Label,Cooking Guide	3850W5D002B			R	1		
*06-1	TEMPLATE	Card,Template	4922W5A022A			R	1		
*06-2	TEMPLATE	Card,Template	4922W5A024A			R	1		
*07	CARD,TECHNICAL	Card,Technical	3840W1T0030	3840W1T0030	MBM30035001	R	1		Change
*10	BOX,YELLOW	Box	3890W3Y735A			R	1		
13552A	CHOKE COVER	Cover,Choke	3552W1A044A	3552W1A044B	3552W1A044B	R	1		Change
13581A	DOOR ASSEMBLY	Door Assembly	3581W0A100A	3581W0A100C	3581W0A100C	R	1		Change
13650A	HANDLE ASSEMBLY	Parts Assembly	3651W1A019A	3651W1A019B	3651W1A019C	R	1	3651W1A019B	Change
1383E1	SERVICE PARTS(DOOR GLOSS SUB ASSY)	Parts Assembly	383EW1A074D			R	1		
1383E2	SERVICE PARTS(LATCH+SPRING)	Parts Assembly	383EW2A001A			R	1		
2383E1	SERVICE PARTS(CONTROL PANEL ASSY)	Parts Assembly	383EW1A015N			R	1		
2383E2	SERVICE PARTS(KEY PCB ASSY)	Parts Assembly	383EW1A020C			R	1		
2383E3	SERVICE PARTS(BUTTON ASSY)	Parts Assembly	383EW1A019N			R	1		
2383E4	SERVICE PARTS(LED HOLDER ASSY)	Parts Assembly	383EW1A037A			R	1		
24781M	CONTROLLER ASSEMBLY,KEY PAD	Controller Assembly,Keypad	4781W1M352D			R	1		
24940A	KNOB	Knob	4940W3A019F			R	1		
26871S	PWB(PCB) ASSEMBLY,SUB	PCB Assembly,Sub	6871W1S005D			R	1		
33034A	REFLECTOR	Reflector	3034W1A008A	3034W1A008A	3034W2A006A	R	1		Change
33052M	CANOPY,MICA	Cover,Insulator	3052W3M025A			R	1		
33112U	OUT CASE,U-BENDING	Case,U Bending	3112W0U043B			R	1		
33390G	TRAY,GLASS	Tray,Glass	1B71961A			R	1	1B71961E	
33390M	TRAY,METAL	Tray,Metal	3390W2M005B			R	1		
33531A	GRILLE ASSEMBLY	Grille Assembly	3531W1A017H			R	1		
33550P	COVER,POWER CORD	Cover,Power Cord	3550W3A084A			R	1		
33809A	COVER ASSEMBLY,BACK	Cover Assembly,Rear	3809W0A002C			R	1		
3383E1	SERVICE PARTS(T/T MOTOR ASSY)	Parts Assembly	383EW1A022C			R	1		
3383E3	SERVICE PARTS(COOKTOP GLASS ASSY)	Parts Assembly	383EW1A021B			R	2		
3383E4	SERVICE PARTS(GREASE FILTER ASSY)	Parts Assembly	383EW1A023A			R	1		
3383E5	SERVICE PARTS(BASE PLATE ASSY)	Parts Assembly	383EW1A036H	383EW1A036H	383EW1A036K	R	2		Change
34021A	HOLDER ASSEMBLY	Holder Assembly	4021W3A001A			R	1		
34371A	SHAFT,TURN TABLE	Shaft,Turtable	4371W1A001A			R	2		
34810G	BRACKET,MISC	Bracket,Idle	4810W3G142A			R	1		
34931A	HOLDER ASSEMBLY	Holder Assembly	4931W1A009G	4931W1A009G	4931W3A004B	R	1	4931W1A009A	Change
34960A	MOUNT	Plate	4960W1A008B			R	1		
35889A	ROTATING RING ASSEMBLY	Turtable Assembly	5889W1A011A	5889W1A001D	5889W1A011A	R	1	5889W1A011A	Change
36912H	LAMP,HALOGEN	Lamp,Halogen	6912A40002A	6912A40002D	6912W3H001D	R	1		Change
4383E1	SERVICE PARTS (LATCH BRACKET)	Parts Assembly	383EW1A005A			R	2		
466001	SWITCH,MICRO	Switch,Micro	6600W1K004C			R	1	6600W1K001D	
466003	SWITCH,MICRO	Switch,Micro	6600W1K004B			R	1	6600W1K001C	
50CZZH	CAPACITOR,DRAWING[HIGH VOLTAGE]	Capacitor,AL,Radial	0CZZW1H004B			R	1	6120W3H003H	
50CZZM	CAPACITOR,DRAWING[MOTOR CONDENSER]	Capacitor,Film,Box	0CZZW1M001C			R	1	3B72440F	
50FZZ1	FUSE,DRAWING	Fuse,Time Delay	3B74133K			R	1		
50FZZ2	FUSE,DRAWING	Fuse,Time Delay	3B70856T			R	1		
53035A	REFLECTOR ASSEMBLY	Reflector Assembly	-	-	3035W1A006D	R	1		ADD
53035B	PARTS ASSEMBLY	Parts Assembly	-	-	383EW1A136C	R	1		ADD

LOC.NO	OLD DESCRIPTION	NEW DESCRIPTON	DIFFERENCE CHART			SVC	QTY	ALTERNATIVEP ART NO.	REMARKS
			SCA1001HSS/03	SCA1001KSS/01	SCA1001KSS/02				
53300A	PLATE,BOTTOM	Plate,Bottom	3300W1A001A			R	1		
53740A	PROTECTOR (MECH)	Supporter	3740W3A004A			R	1		
538310	SERVICE PARTS(HARNESS TOTAL ASSY)	Parts Assembly	383EW1A030E	383EW1A030E	383EW1A030F	R	1		Change
5383E1	SERVICE PARTS(DAMPER INLET ASSY)	Parts Assembly	383EW1A025A			R	1		
5383E3	SERVICE PARTS(REFLECTOR-L ASSY)	Parts Assembly	383EW1A024A			R	1		
5383E4	SERVICE PARTS(AIR DUCT+HEATER COVER)	Parts Assembly	383EW1A080A			R	1		
5383E5	SERVICE PARTS(LAMP REFLECTOR ASSY)	Parts Assembly	383EW1A028D	383EW1A028D	383EW1A028F	R	1		Change
5383E6	SERVICE PARTS(REFLECTOR-U ASSY)	Parts Assembly	383EW1A033A			R	1		
5383E7	SERVICE PARTS(DAMPER OUTLET ASSY)	Parts Assembly	383EW1A029A			R	1		
5383E8	SERVICE PARTS(BLOWER ASSY)	Parts Assembly	383EW1A031A			R	1		
5383E9	SERVICE PARTS(CONVECTION FAN ASSY)	Parts Assembly	383EW1A032A			R	1		
54810Q	BRACKET,MOUNT	Bracket,Mount	4810W2Q001A			R	1		
548111	BRACKET ASSEMBLY	Bracket Assembly	4811W3A016A			R	1		
548112	BRACKET ASSEMBLY	Bracket Assembly	4811W1A003A			R	1		
54890A	GLASS	Window	4890W3A010A			R	1		
54960A	MOUNT	Plate	4960W2A004A			R	1		
54974A	GUIDE,SUCTION	Guide,Suction	4974W0A001A			R	1		
55012A	INSULATOR	Insulator	5012W1A003A			R	1		
55300S	HEATER,SHEATH	Heater,Sheath	5300W1S010B			R	1	5300W1S010A	
55900A	FAN	Fan	2B72125A			R	1		
56010L	TRANSFORMER, LINEAR	Transformer,Linear	-	-	6010W2L003D	R	1		ADD
56021B	CABLE ASSEMBLY	Drawing,Assembly	6021W3B001Q	6021W3B001U	6021W3B001U	R	1	6021W3B001A	Change
56170D	TRANSFORMER,HIGH VOLTAGE	Transformer,Linear	6170W1D049B			R	1	6170W1D051D	
56170G	TRANSFORMER,POWER	Transformer,Linear	6170W2G015A			R	1		
56201A	FILTER ASSEMBLY(CIRC)	Filter,AC Line	2B72130F			R	1		
56322A	THERMISTOR,NTC	Thermistor,NTC	6322W1A001A			R	1		
56324A	MAGNETRON	Magnetron	6324W1A001A			R	1		
56411A	POWER CORD ASSEMBLY	Power Cord Assembly	6411W1A014U	6411W1A014Y	6411W1A014Y	R	1	6411W1A014V	Change
56501A	SENSOR ASSEMBLY	Sensor Assembly	6501W1A004A			R	1		
56549F	MOTOR(CIRC),FAN	Motor,AC	6549W1F001W			R	1		
56549V	MOTOR(CIRC),VENTILATION	Motor,AC	6549W1V006B			R	1		
56871S	PWB(PCB) ASSEMBLY,SUB	PCB Assembly,Sub	6871W2S246B	6871W2S246B	6871W2S246D	R	1	6871W2S246C	Change
56912H	LAMP,HALOGEN	Lamp,Halogen	-	-	6912W3H001C	R	1		ADD
569301	THERMOSTAT	Thermostat	3B70068V			R	1	6930W1A003M	
569302	THERMOSTAT	Thermostat	6930W1A003D	6930W1A002E	6930W1A002E	R	1	6930W1A002F	Change
63301A	PLATE ASSEMBLY	Plate Assembly	3301W1A028A			R	1		
6383E1	SERVICE PARTS(MOUNTING KIT ASSY)	Parts Assembly	383EW2A002A			R	1		
6383E2	SERVICE PARTS(MOUNTING BOTS)	Parts Assembly	383EW1A038A			R	1		
9383EA	SERVICE PARTS(HARDWARE BAG)	Parts Assembly	383EW1A081C			R	1		
WSZ002	SCREW TAP TITE(S),BINDING HEAD	Screw,Taptitle	1SBF0402418			R	6		
WSZ084	SCREW,DRAWING	Screw,Customized	4B70188B			R	2		
WTP015	SCREW TAPPING	Screw,Tapping	1TPL0402618			R	2		
WTT022	SCREW TAPPING,TRUSS HEAD	Screw,Tapping	1TTL0402422			R	13		
WTT028	SCREW TAPPING,TRUSS HEAD	Screw,Tapping	1TTL0402818			R	40		
WTT030	SCREW TAPPING,TRUSS HEAD	Screw,Tapping	1TTL0403118			R	1		