

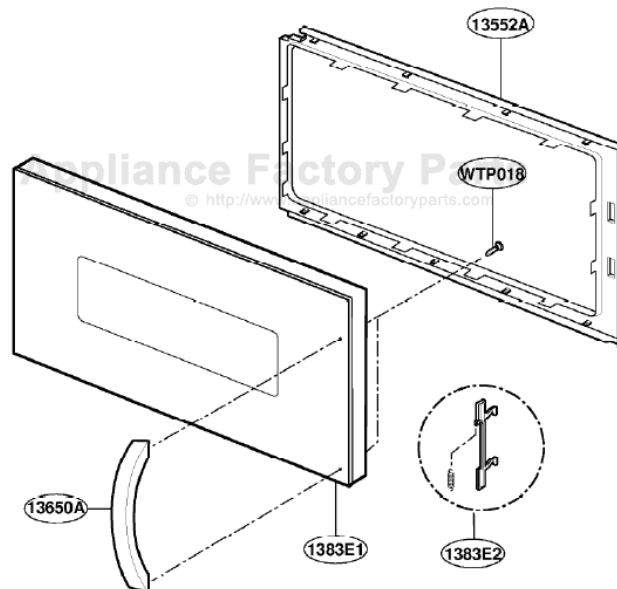
This Owner's Manual is provided and hosted by [Appliance Factory Parts](http://www.ApplianceFactoryParts.com).



# GE SCA2000BAA04 Owner's Manual

[Shop genuine replacement parts for GE  
SCA2000BAA04](#)

## DOOR PARTS

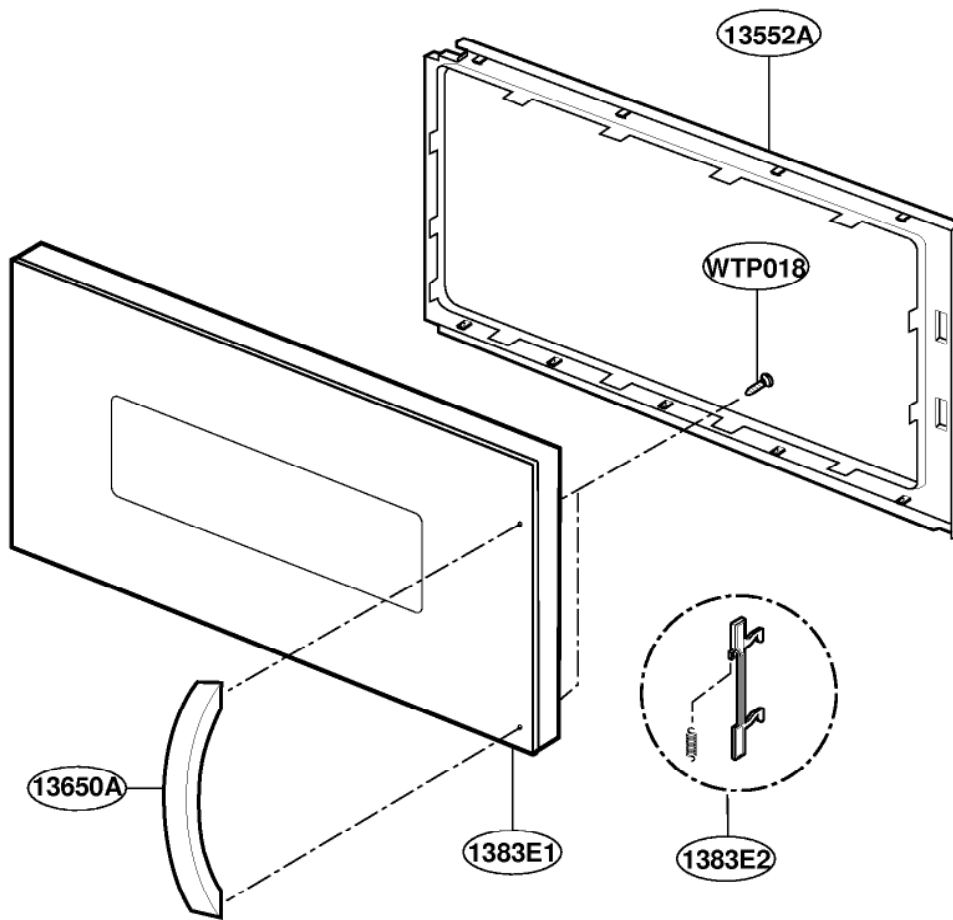


[Find Your GE Microwave Parts - Select From 3055 Models](#)

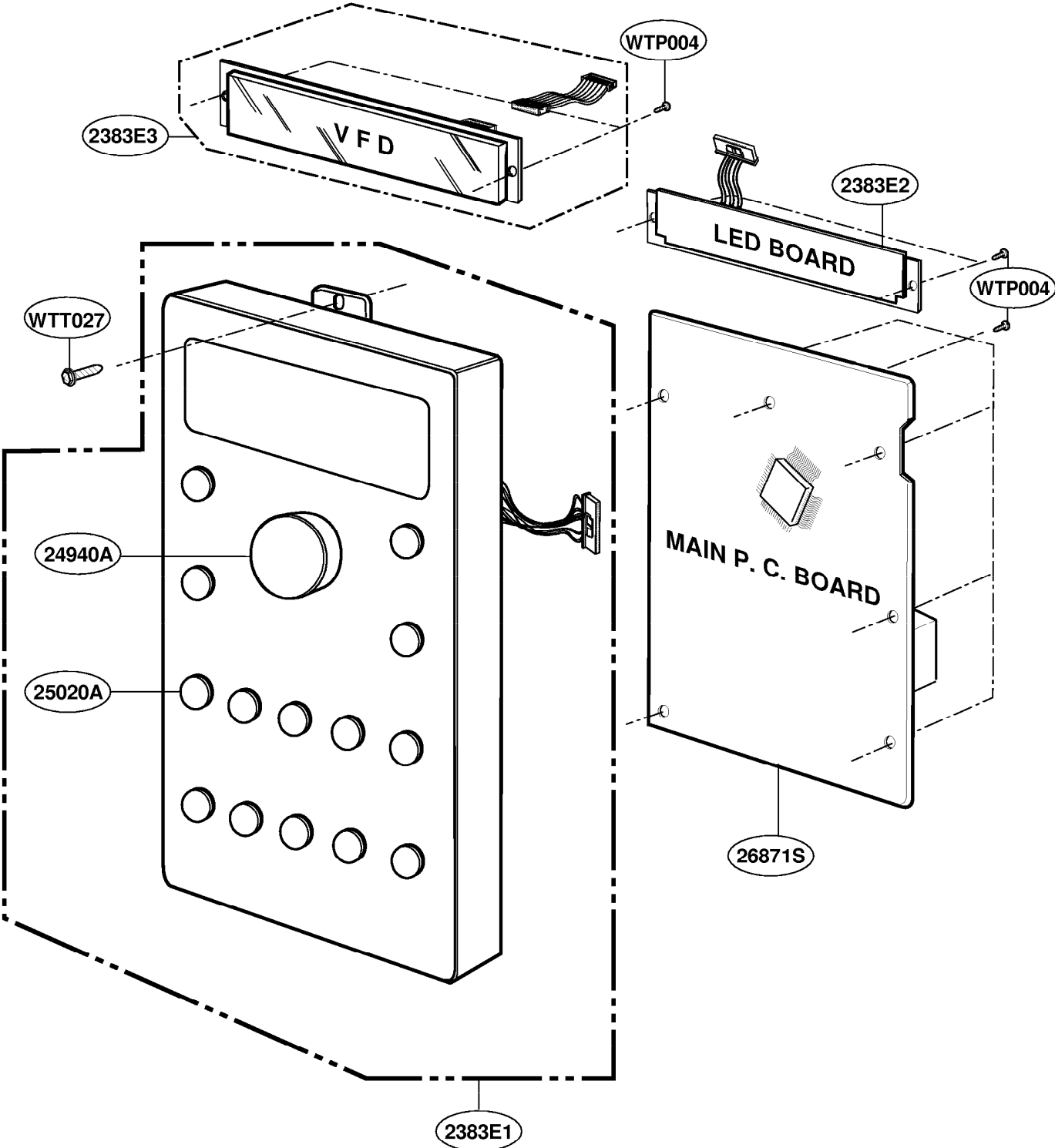
----- Manual continues below -----

# EXPLODED VIEW

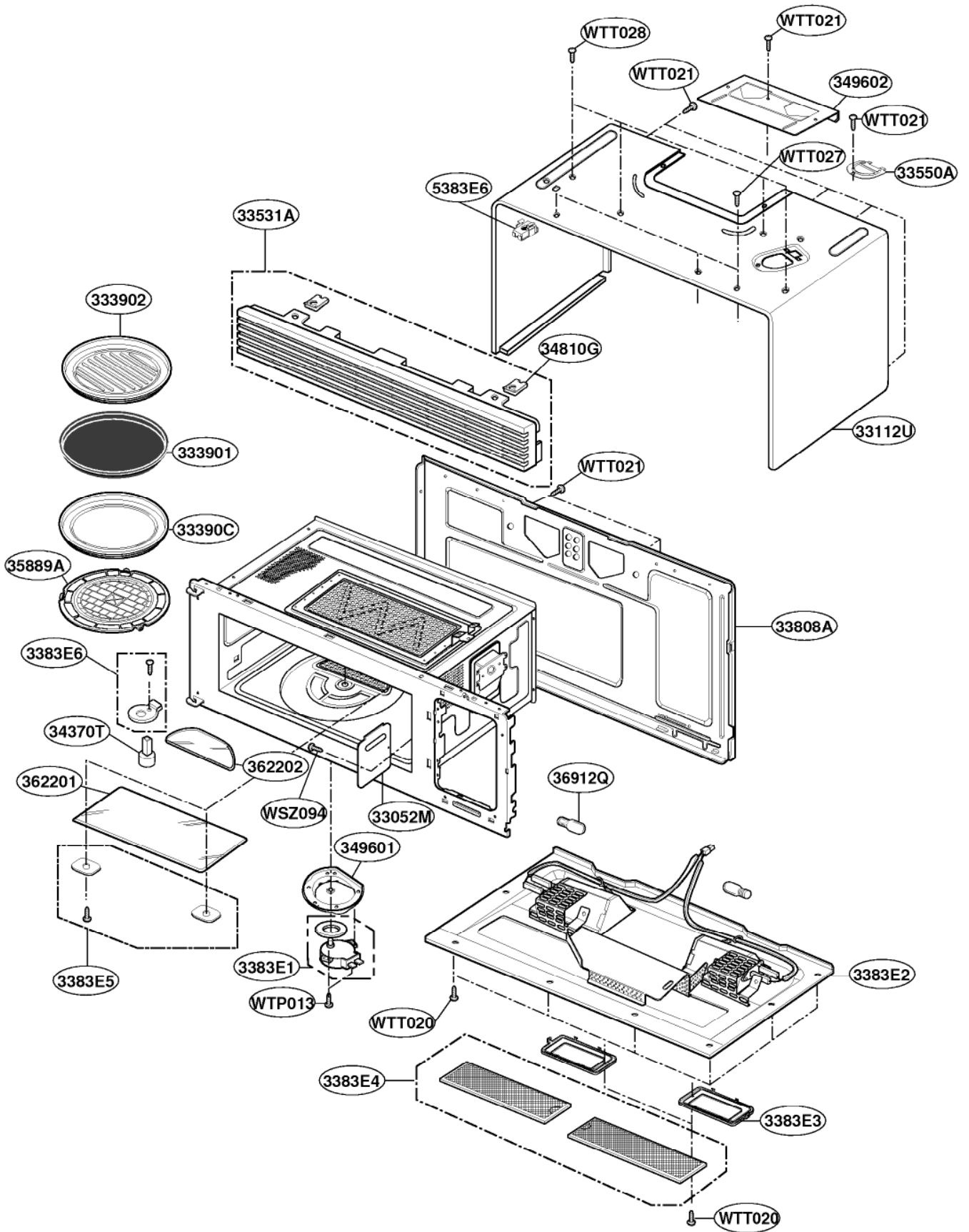
## DOOR PARTS



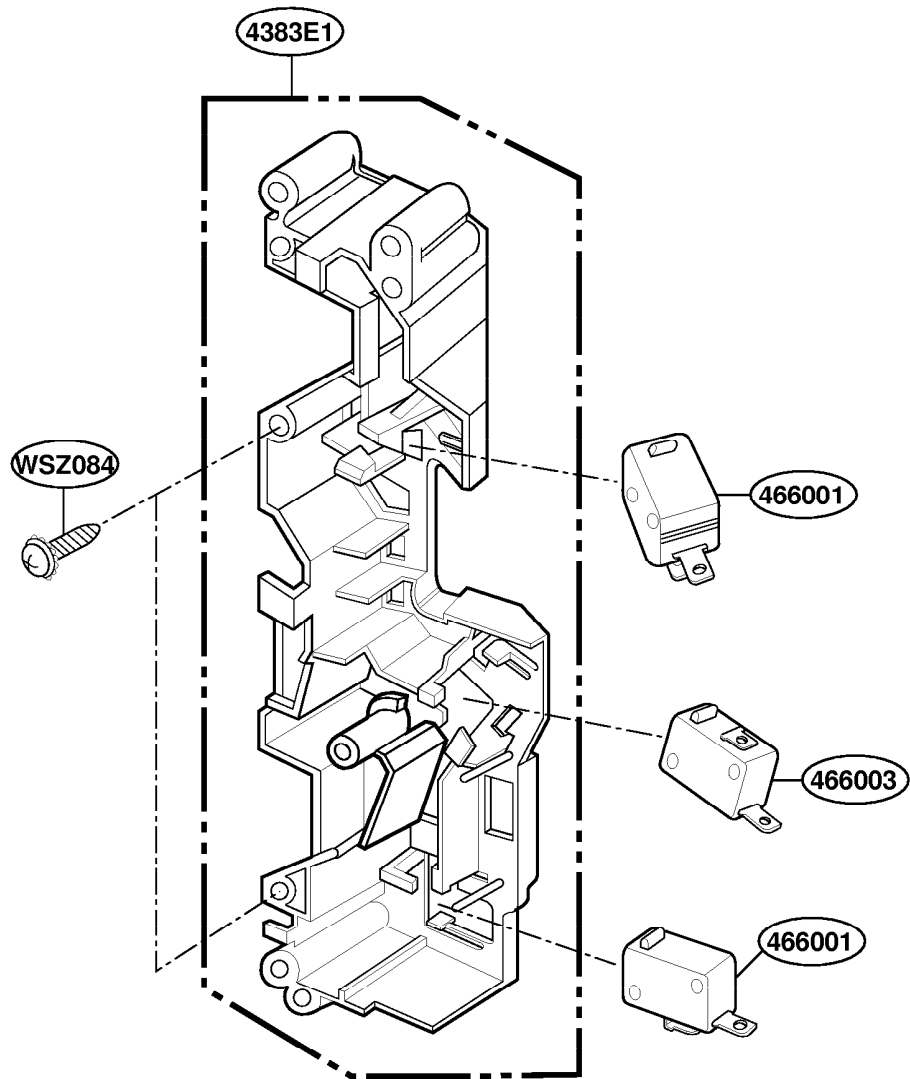
# CONTROLLER PARTS



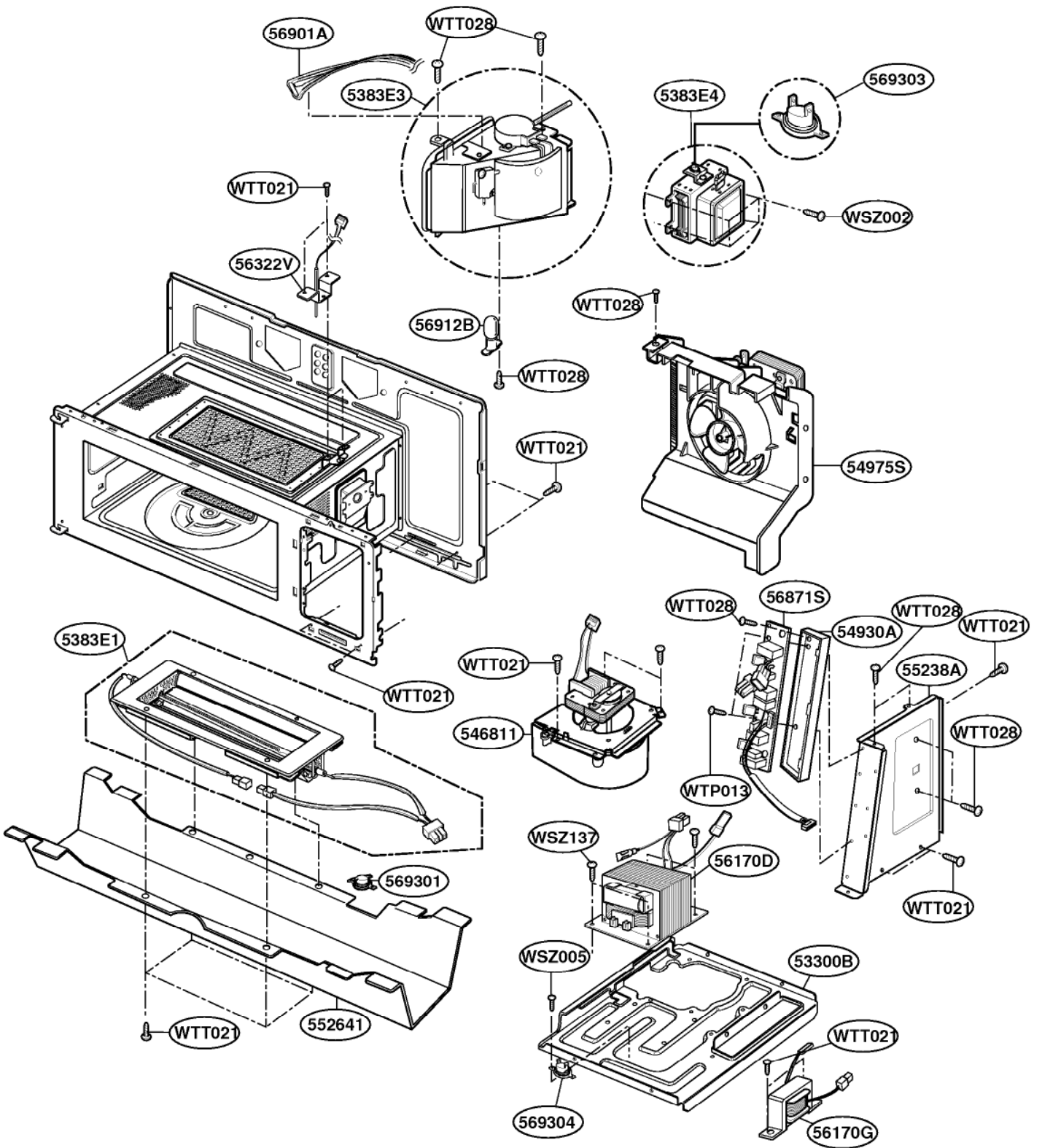
# OVEN CAVITY PARTS



# LATCH BOARD PARTS



# INTERIOR PARTS (I)





# INSTALLATION PARTS

