

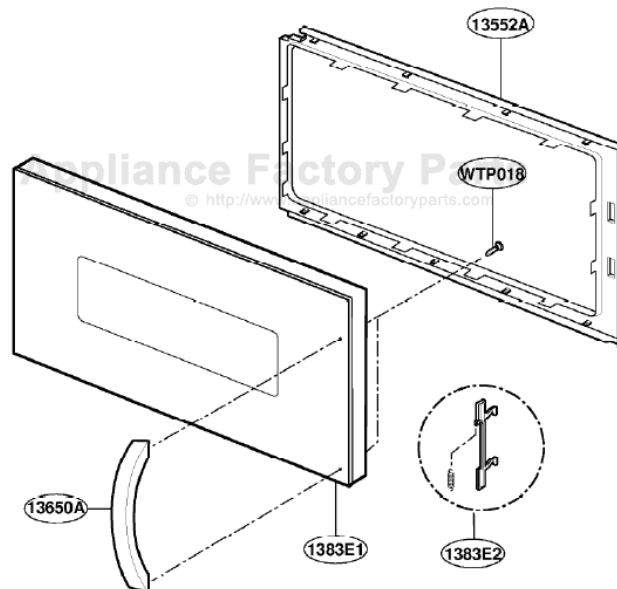
This Owner's Manual is provided and hosted by [Appliance Factory Parts](http://www.ApplianceFactoryParts.com).



# GE SCA2000BCC03 Owner's Manual

[Shop genuine replacement parts for GE  
SCA2000BCC03](#)

## DOOR PARTS

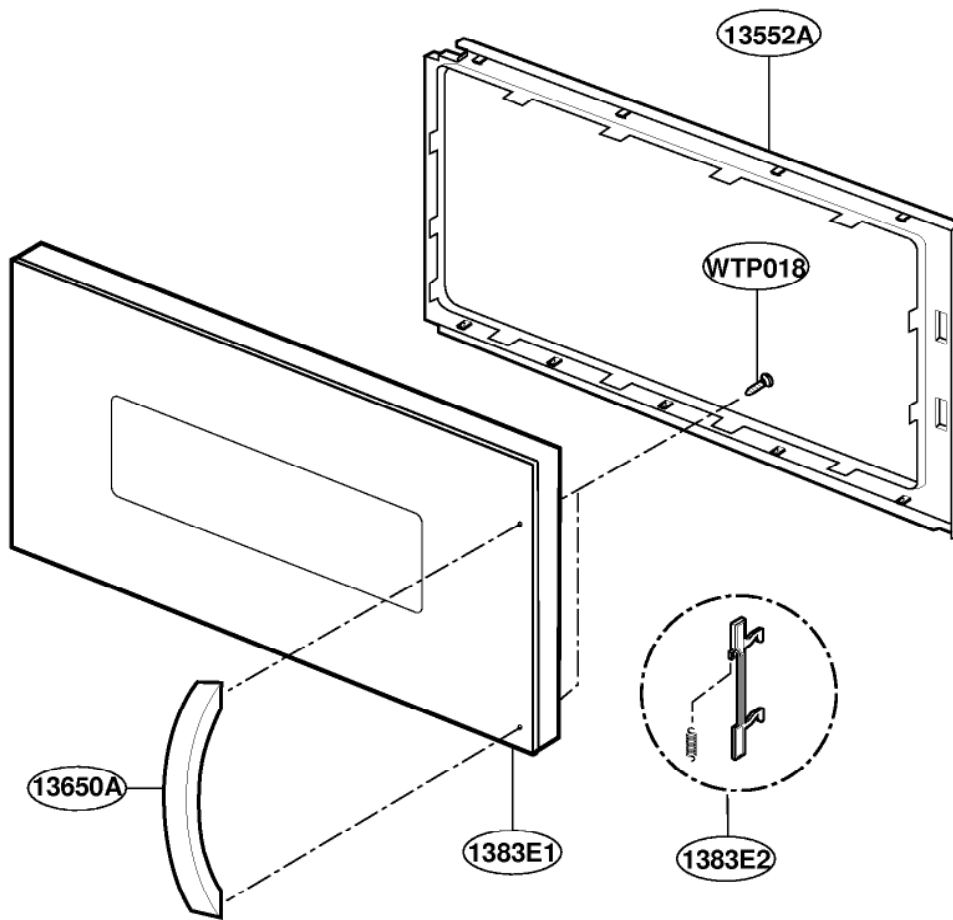


[Find Your GE Microwave Parts - Select From 3055 Models](#)

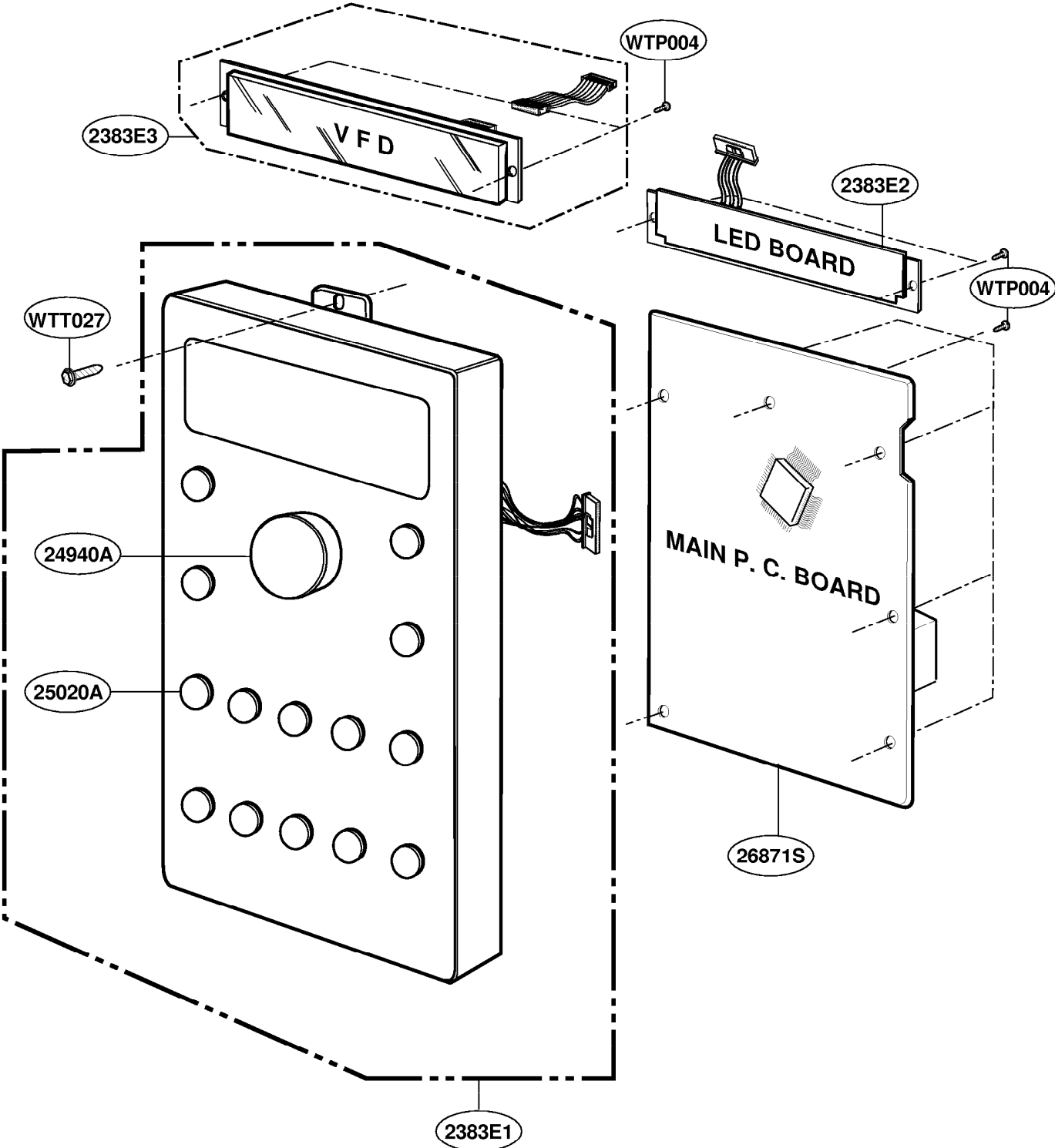
----- Manual continues below -----

# EXPLODED VIEW

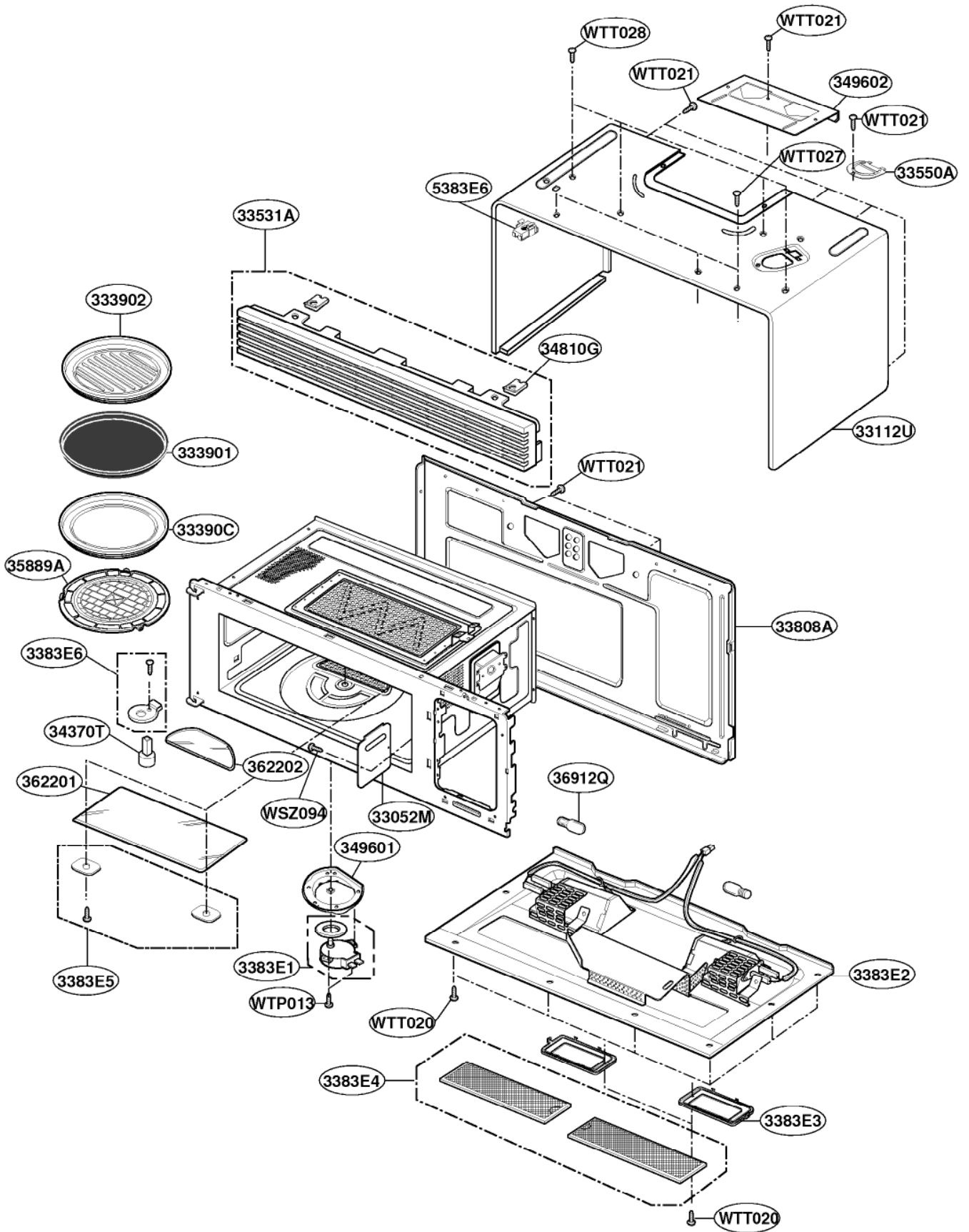
## DOOR PARTS



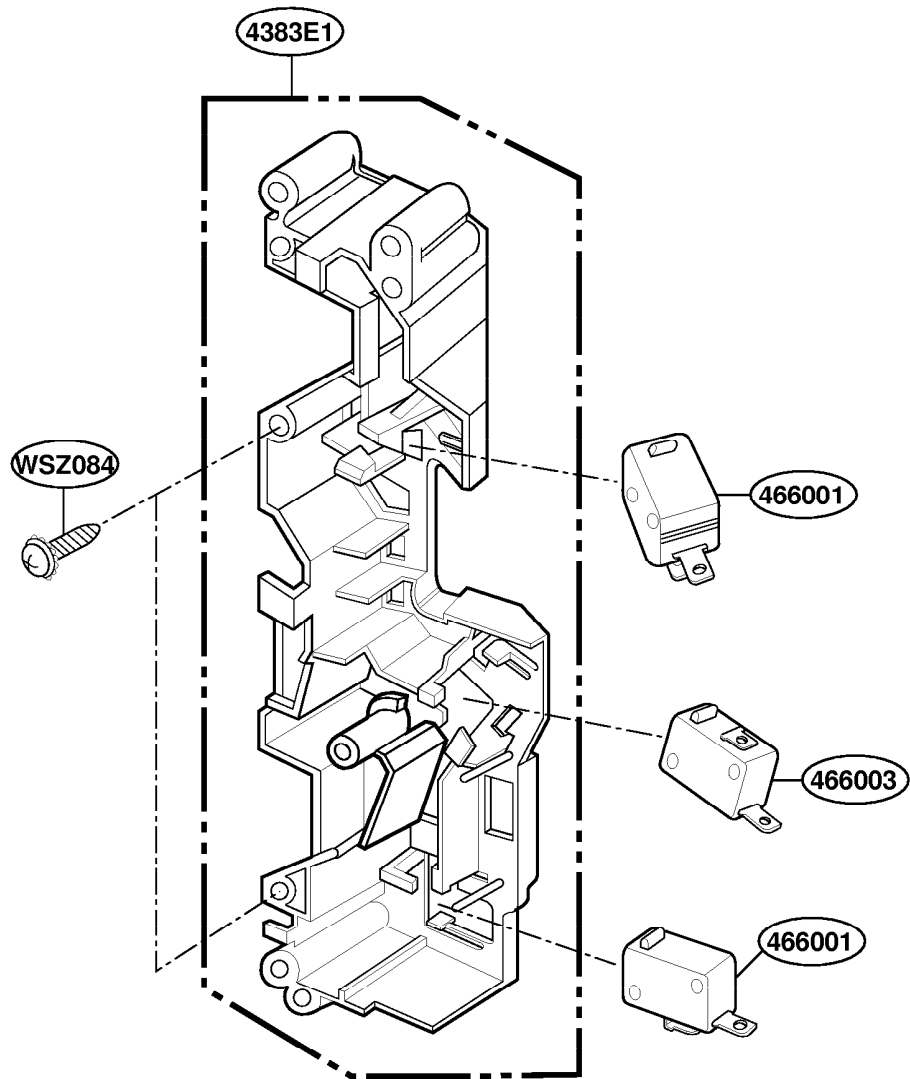
# CONTROLLER PARTS



# OVEN CAVITY PARTS



# LATCH BOARD PARTS







# INSTALLATION PARTS

