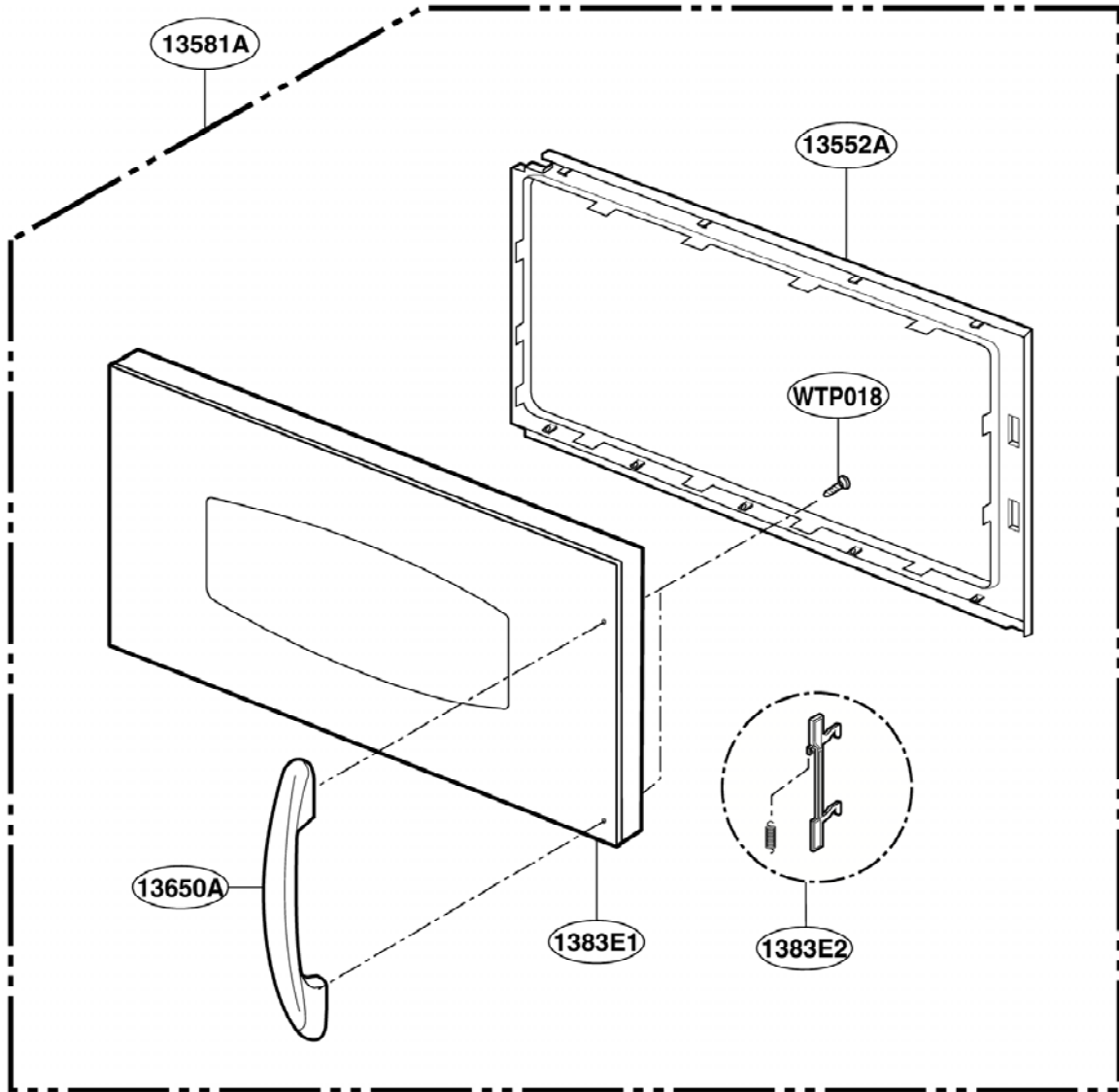


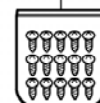
EXPLODED VIEW

DOOR PARTS

Model: SCA 2000FWW
SCA 2000FBB
SCA 2000FCC



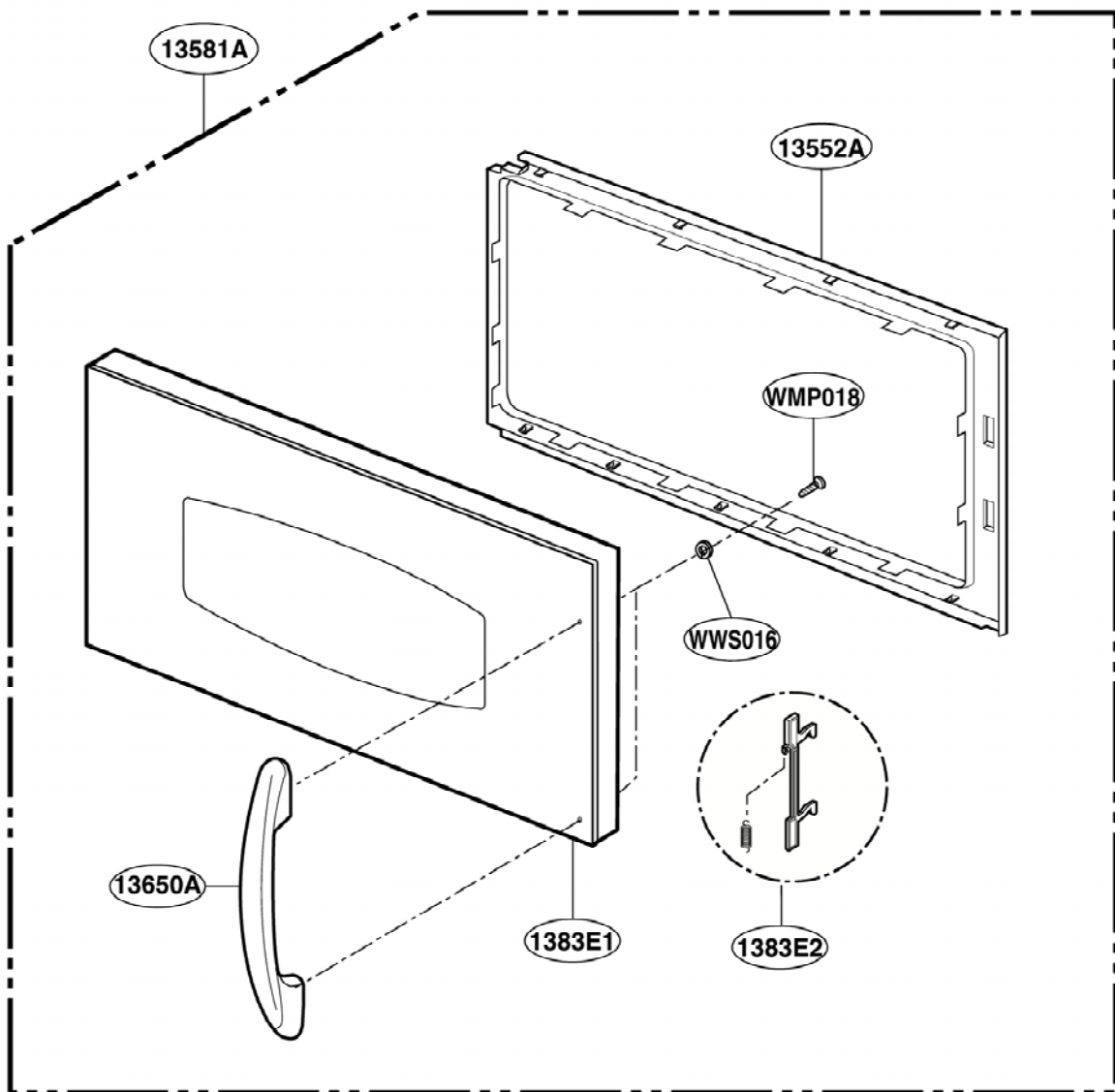
3383EA



P/No: 3828W5S6177

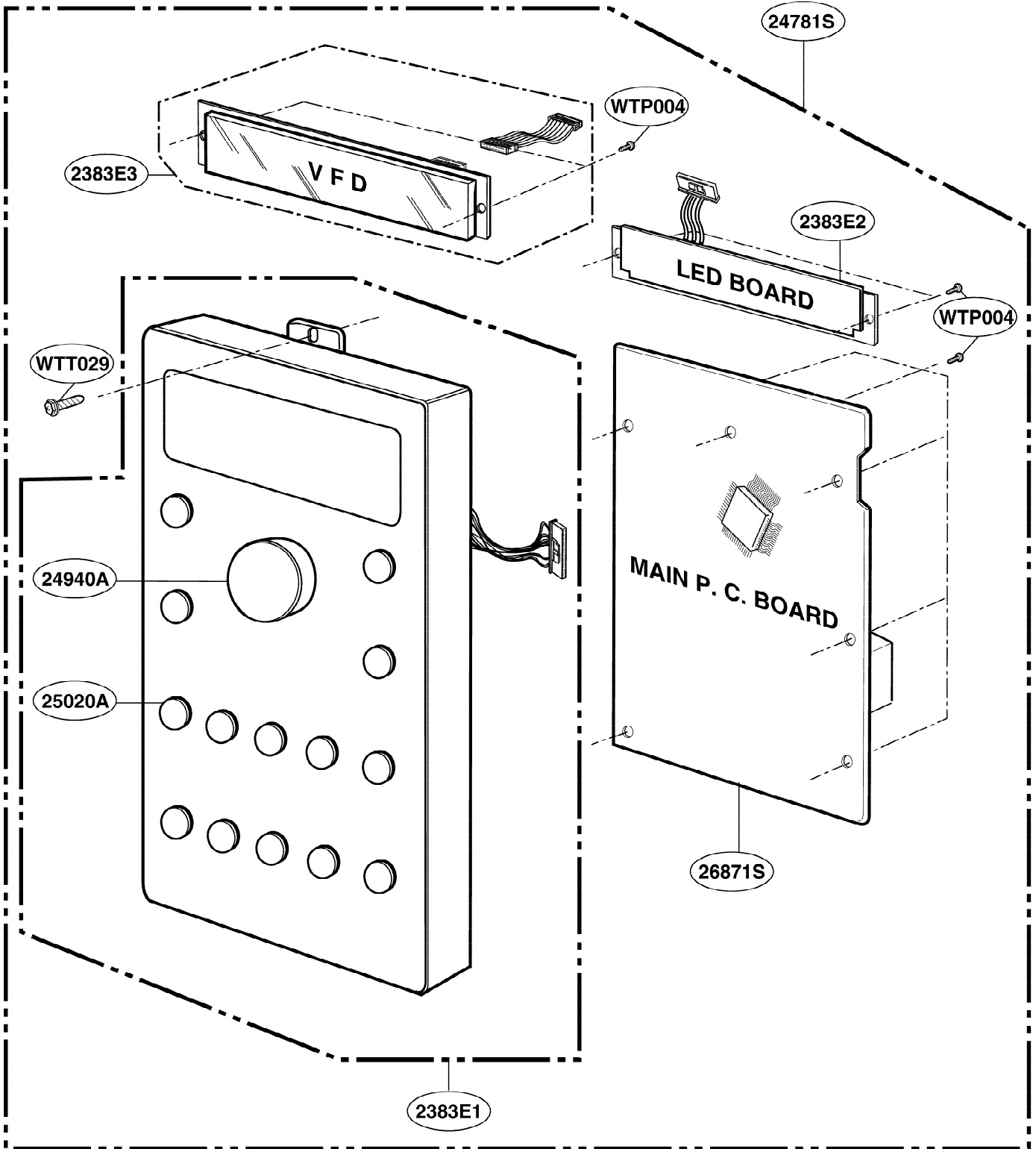
DOOR PARTS

Model: SCA 2001FSS
SCA 2001KSS



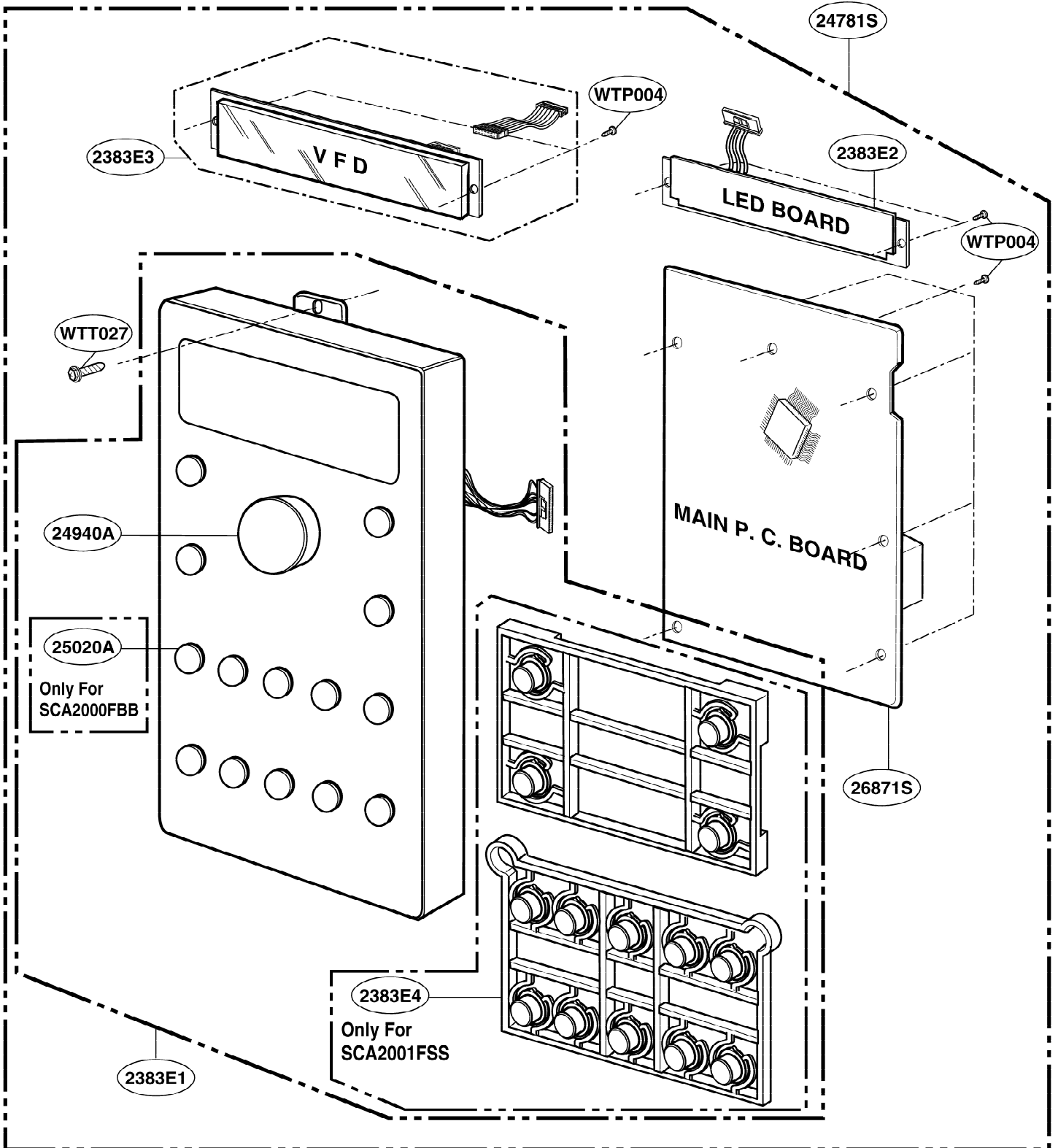
CONTROLLER PARTS

Model: SCA 2000FWW
SCA 2000FCC



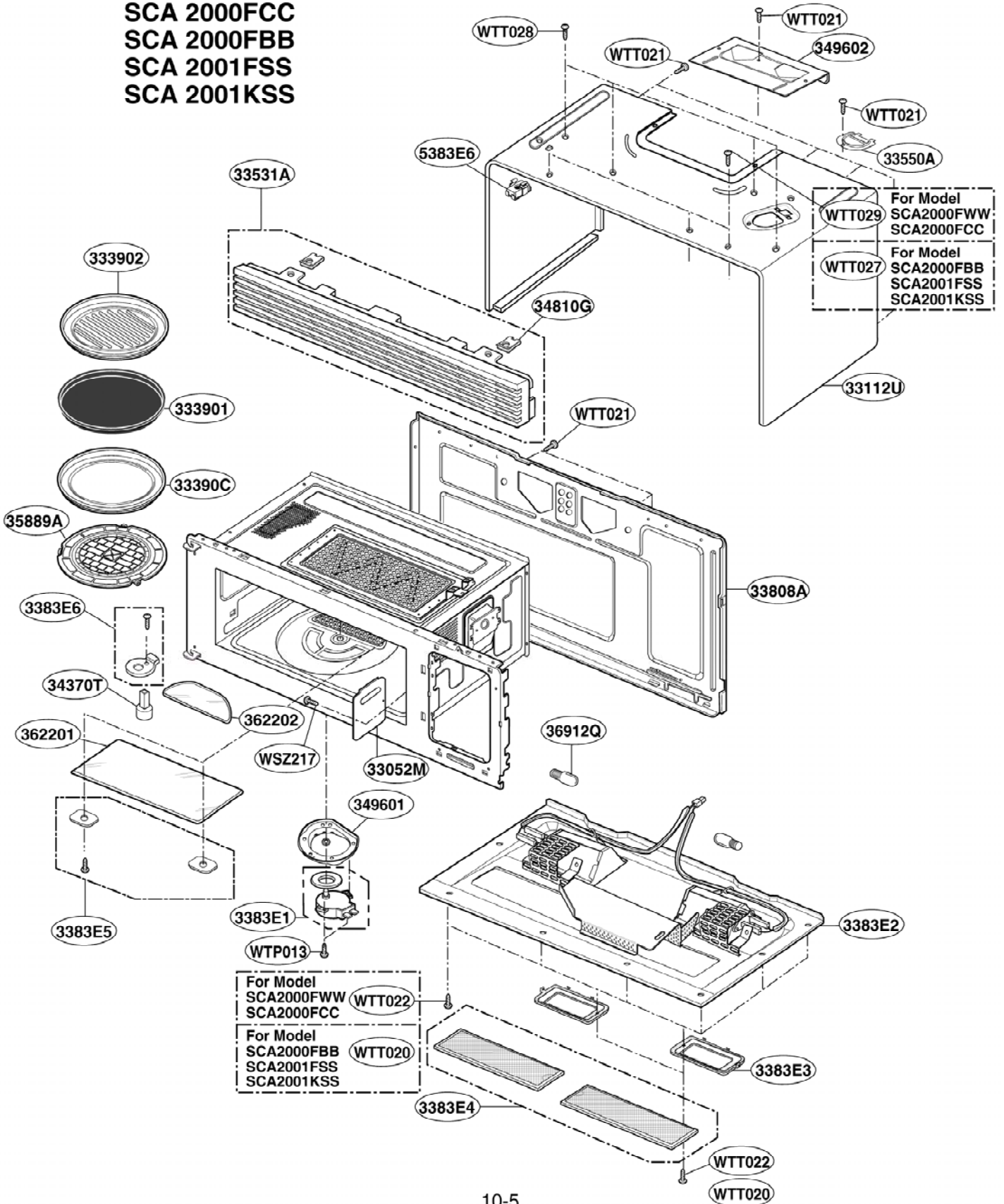
CONTROLLER PARTS

Model: SCA 2000FBB
SCA 2001FSS
SCA 2001KSS



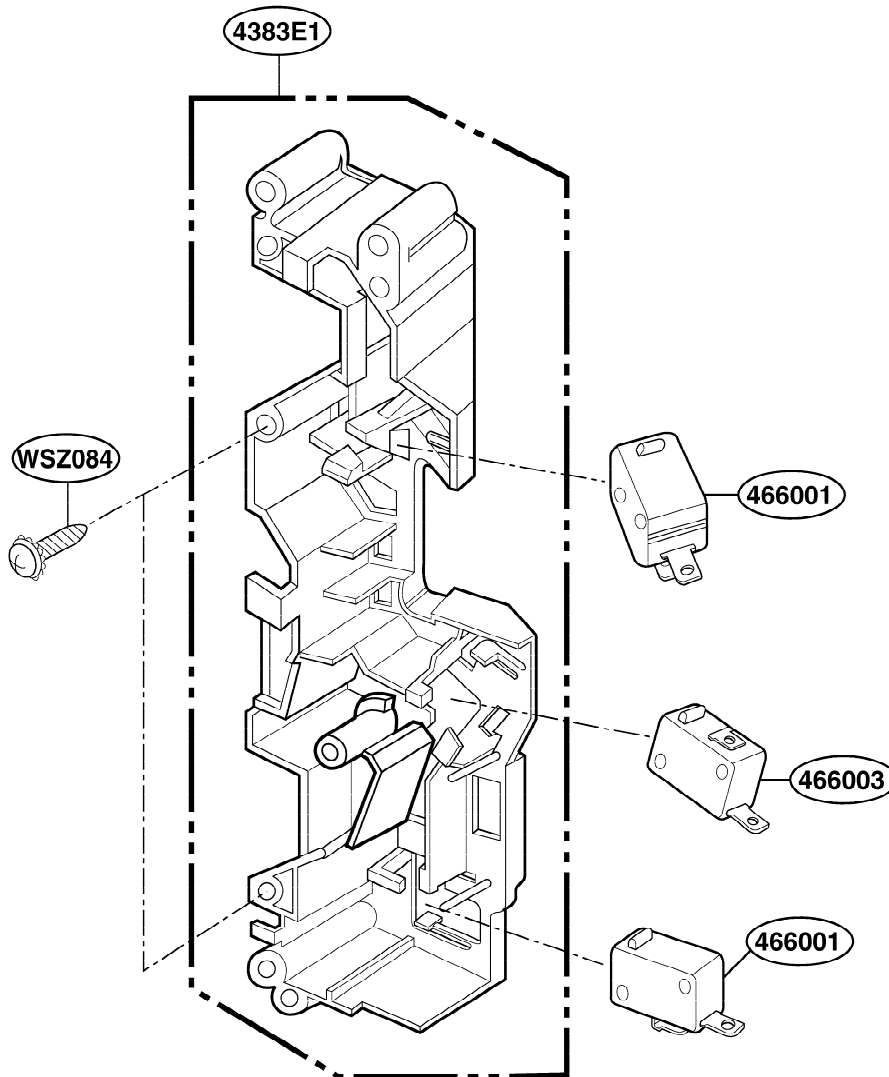
OVEN CAVITY PARTS

Model: SCA 2000FWW
SCA 2000FCC
SCA 2000FBB
SCA 2001FSS
SCA 2001KSS



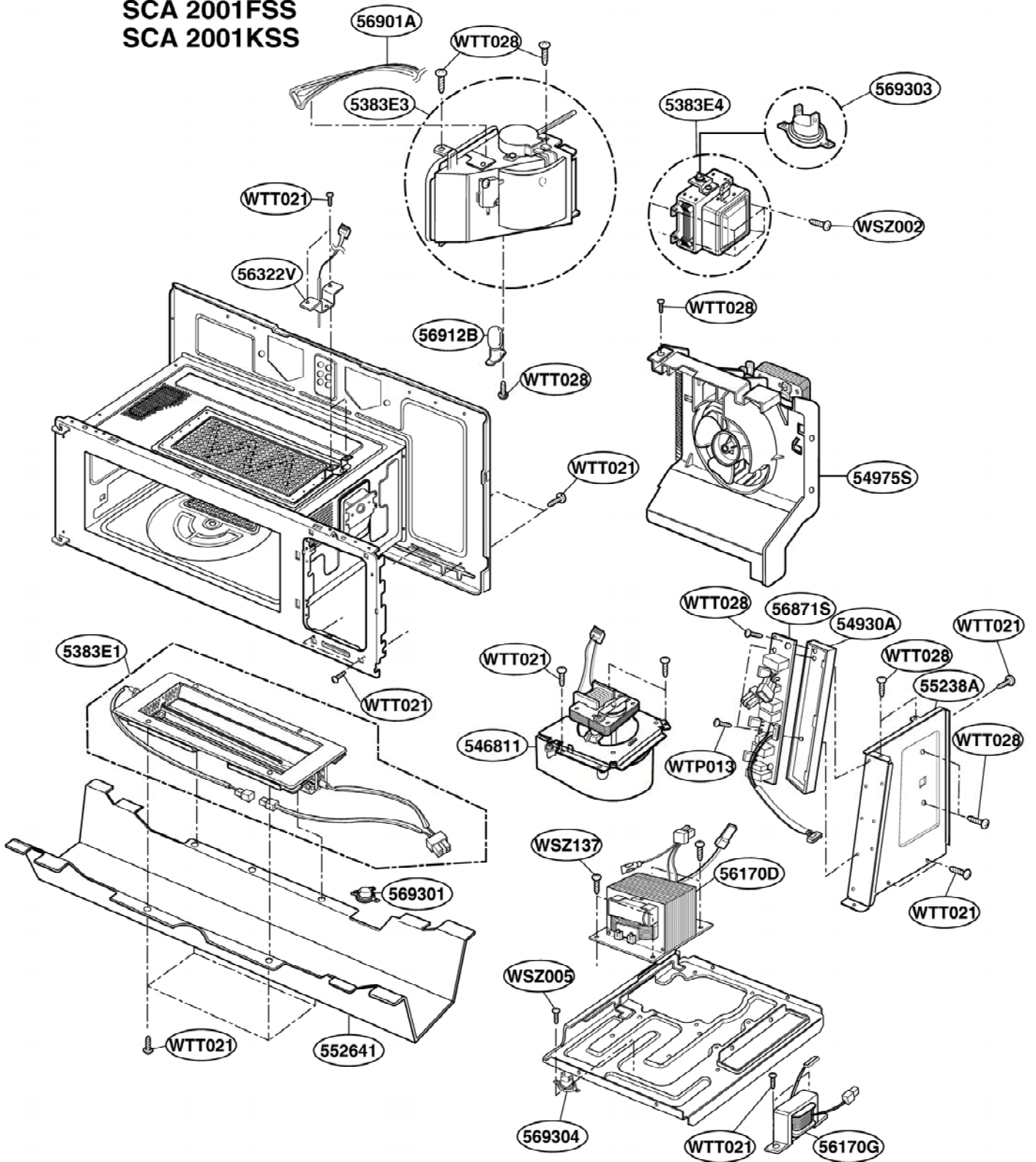
LATCH BOARD PARTS

Model: SCA 2000FWW
SCA 2000FBB
SCA 2000FCC
SCA 2001FSS
SCA 2001KSS



INTERIOR PARTS (I)

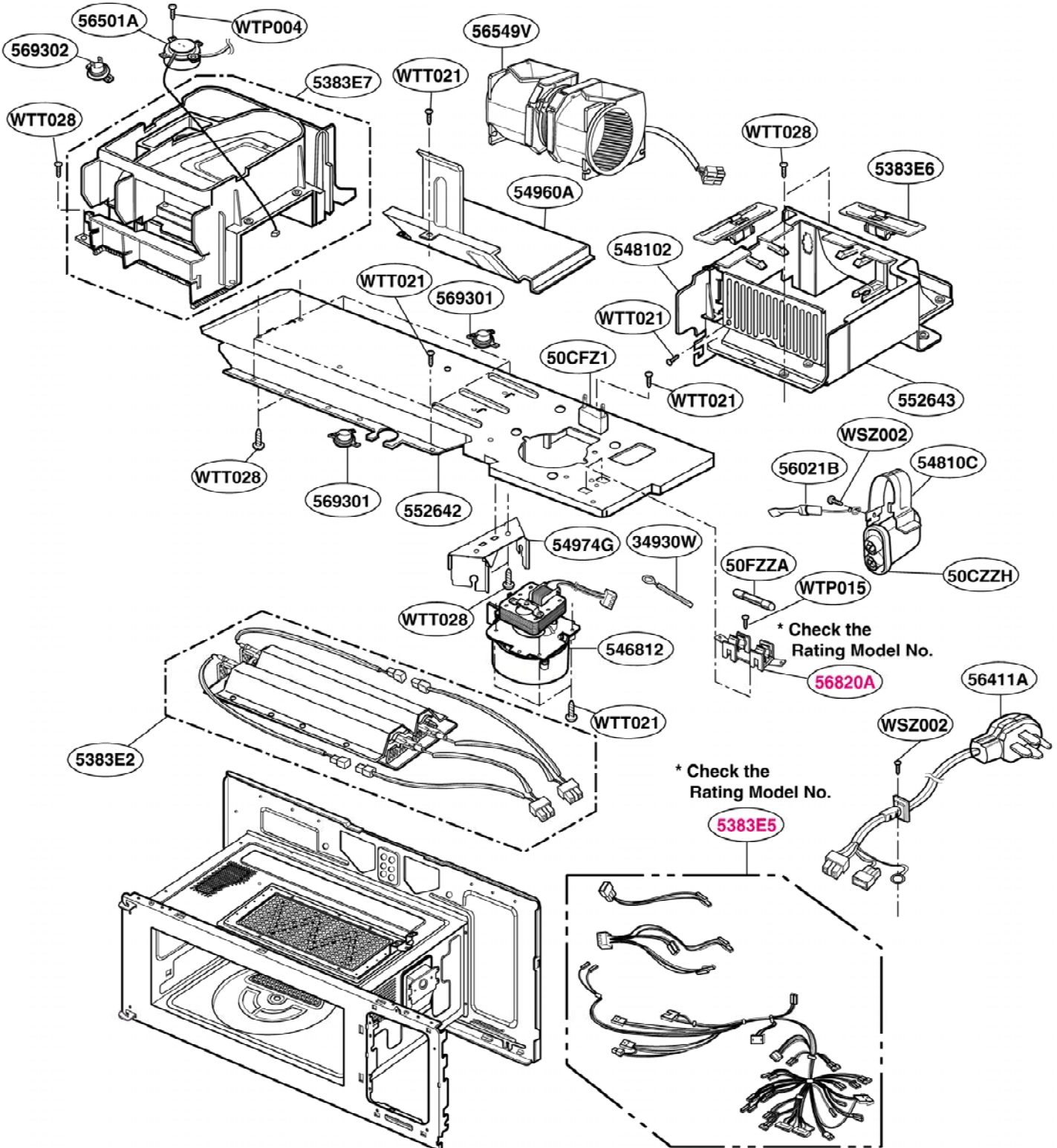
Model: SCA 2000FWW
SCA 2000FBB
SCA 2000FCC
SCA 2001FSS
SCA 2001KSS



INTERIOR PARTS (II - I)

Model: SCA 2000FBB 02
SCA 2000FCC 02
SCA 2000FWW 02
SCA 2001FSS 02

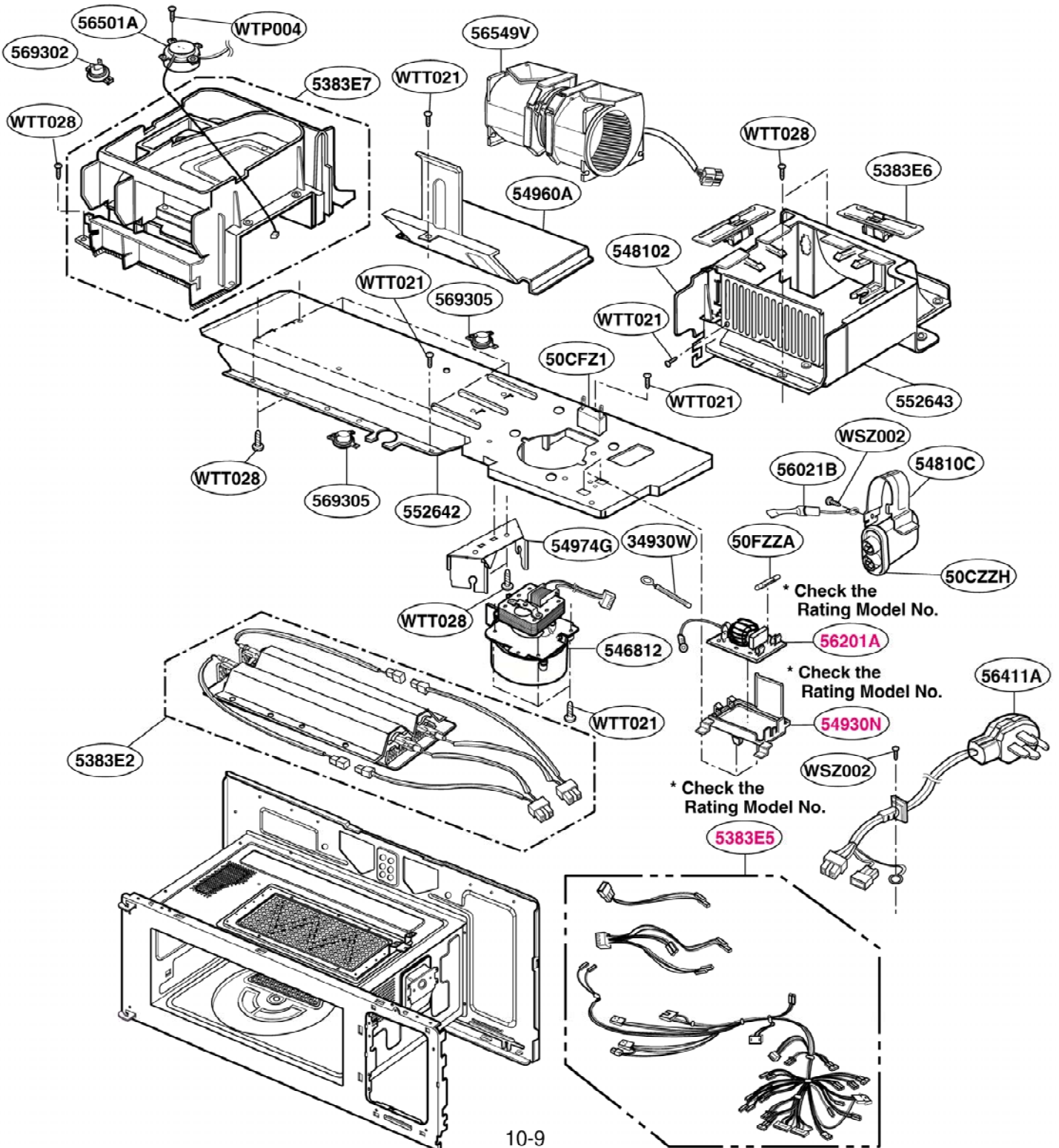
Check the rating label of **Model** and order SVC parts according to the **Model No.**



INTERIOR PARTS (II - II)

Model: SCA 2000FBB 03
SCA 2000FCC 03
SCA 2000FWW 03
SCA 2001FSS 03
SCA 2001KSS 01

Check the rating label of **Model** and order SVC parts according to the **Model No.**



INSTALLATION PARTS

Model: SCA 2000FWW
SCA 2000FBB
SCA 2000FCC
SCA 2001FSS
SCA 2001KSS

