

This Owner's Manual is provided and hosted by Appliance Factory Parts.



GE DPVH880EJ3MG Owner's Manual

[Shop genuine replacement parts for GE
DPVH880EJ3MG](#)



[Find Your GE Dryer Parts - Select From 3387 Models](#)

----- Manual continues below -----

DPVH880EJ

GE Profile™ 7.5 Cu. Ft. Colossal Capacity Electric Dryer

Dimensions and Installation Information (in inches)

| Electric Dryer Rating | |
|-----------------------|------------------|
| 240V | 5600W, 24A, 60Hz |

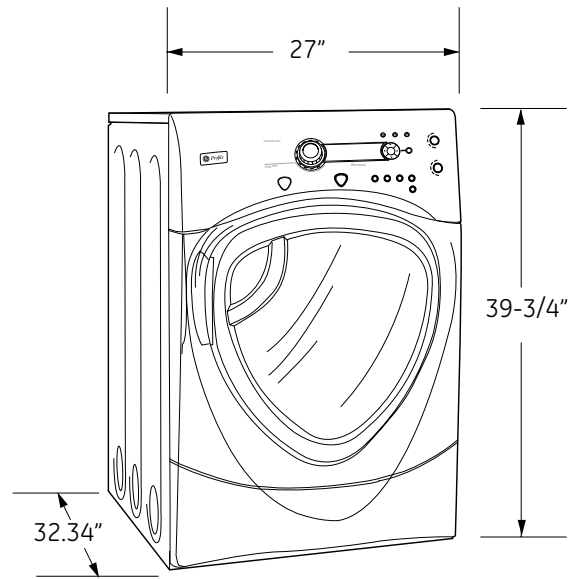
Exhaust Options: 4-way via rear, left, right and bottom.

Circuit Requirements: An individual, properly grounded branch circuit, protected by a 30-amp circuit breaker or a time-delay fuse, is required.

LP Conversion Kit: WE25M46

Note: Dryer wall outlet must be located within 36" of service cord entry and accessible when dryer is mounted in position.

Installation Information: For complete information, see installation instructions packed with your dryer.



For answers to your Monogram®, GE Profile™ or GE® appliance questions, visit our website at ge.com or call GE Answer Center® service, 800.626.2000.



imagination at work

Specifi

DPVH880EJ

GE Profile™ 7.5 Cu. Ft. Colossal Capacity Electric Dryer

Special Installation Requirements:

Stacked Installation:

- Brackets for stacking dryer over washer are available at an additional cost

Alcove or Closet Installation:

- If your dryer is approved for installation in an alcove or closet, it will be stated on a label on the dryer back.
- The dryer MUST be exhausted to the outside.
- Minimum clearances between dryer cabinet and adjacent walls or other surfaces are: 0" either side, 3" front and rear
- Minimum vertical space from floor to overhead cabinets, ceilings, etc. is 52".
- Closet doors must be louvered or otherwise ventilated and must contain a minimum of 60 sq. in. of open area equally distributed. If this closet contains both a washer and a dryer, doors must contain a minimum of 120 sq. in. of open area equally distributed.
- No other fuel-burning appliance shall be installed in the same closet with a gas dryer.

Bathroom or Bedroom Installation:

- The dryer MUST be exhausted to the outdoors.
- The installation must conform with the local codes, or in the absence of local codes, with the National Fuel Gas Code, ANSI Z223.

Minimum Clearance other than Alcove or Closet Installations:

- Minimum clearances to combustible surfaces 0" both sides, 3" rear.

For more information on venting kits and accessories, please call 1-800-GE-CARES.

For answers to your Monogram®, GE Profile™ or GE® appliance questions, visit our website at ge.com or call GE Answer Center® service, 800.626.2000.



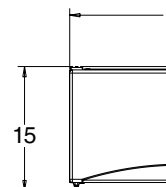
Stacked Dimensions (in inches)



Storage Pedestal Dimensions (in inches)

- SPSD157JMG - Champagne
- SPSD157JMV - Vermillion Red
- SPSD157JWW - White

This optional 15" pedestal raises the door opening and height of the washer or dryer. Feet on 15" pedestal allow it to adjust to 15-3/8" height.



Specifi

DPVH880EJ

GE Profile™ 7.5 Cu. Ft. Colossal Capacity Electric Dryer

Dryer Exhausting Information – Metal Duct Only

For complete information, see installation instructions packed with your dryer.

Ducting Materials: For best performance, this dryer should be vented with 4" diameter all rigid metal exhaust duct. If "all rigid metal" duct cannot be used, then "flexible all metal" venting can be used, but it will reduce the maximum recommended duct length.

Exhaust Length Calculation:

1. Determine the number of 90° turns needed for your installation. If you exhaust to the side or bottom of dryer, add one turn.
2. The maximum length of 4' rigid (aluminum or galvanized) duct which can be tolerated is shown in the table. The maximum length for flexible ducts are less than for rigid duct.

A turn of 45° or less may be ignored. Two 45° turns within the duct length should be treated as a 90° elbow.

A turn over 45° should be treated as a 90° elbow.

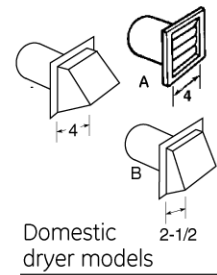
Exhausting the dryer to the outside is strongly recommended to prevent large amounts of moisture and lint from being blown into the room. Gas dryers or any dryer located in a closet **must** be exhausted to the outside.

Caution: For personal safety do not terminate exhaust into a chimney, under any enclosed house floor (crawl space), or into an attic, since the accumulated lint could create a fire hazard or moisture could cause damage. Never terminate the exhaust into a common duct or plenum with a kitchen exhaust, since the combination of lint and grease could create a fire hazard.

Exhaust ducts should be terminated in a dampered wall cap to prevent back drafts, bird nesting, etc. The wall cap must also be located at least 12" above the ground or any other obstruction with the opening pointed Down.

Other terminations, such as louvered wall boxes, are acceptable provided they are equivalent to a 4" opening dampered wall cap.

For more information on venting kits and accessories, please call 1-800-GE-CARES.



| Domestic dryer models | Number of 90° turns | Best Max. dia. r Exhaust 4" op |
|--|---------------------|--------------------------------|
| 7.3 cu. ft. capacity electric and gas dryers | 0 | 150' |
| | 1 | 140' |
| | 2 | 130' |
| | 3 | 120' |
| 7.0, 6.0 and 5.8 cu. ft. capacity models all electric dryers | 0 | 90' |
| | 1 | 60' |
| | 2 | 45' |
| | 3 | 35' |
| 7.0, 6.0 and 5.8 cu. ft. capacity models all gas dryers | 0 | 90' |
| | 1 | 60' |
| | 2 | 45' |
| | 3 | 35' |
| DPVH890E/G DPVH880E/G DLSR483E/G DSLVR48E/G | 0 | 150' |
| | 1 | 135' |
| | 2 | 125' |
| | 3 | 115' |
| | 4 | 105' |

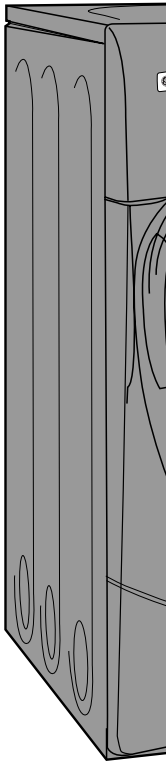


DPVH880EJ

GE Profile™ 7.5 Cu. Ft. Colossal Capacity Electric Dryer

Features and Benefits

- 7.5 Cu. Ft. Colossal Capacity - This colossal size dryer will be ready and able to take on everything the washer sends its way
- Reverse Tumble - By reversing the rotation of the drum, you can expect gentle, fast even drying
- DuoDry™ System - Quickly and consistently dries all types of clothes
- Baffle Dry - Built-in drying rack and hanger clip design multiplies the drying options for hard-to-dry items or delicates
- CleanSpeak™ Communication System - The washer communicates electronically with the dryer, which then presets dry cycles for better clothes care, increased time savings and greater convenience
- Specialty Dry Cycles - Provide just the right levels of drying for better fabric care
- Stainless Steel Drum - Resists rust and won't chip, peel or snag clothes
- Model DPVH880EJMG - Champagne
- Model DPVH880EJMV - Vermillion Red
- Model DPVH880EJWW - White



imagination at work

Specifi