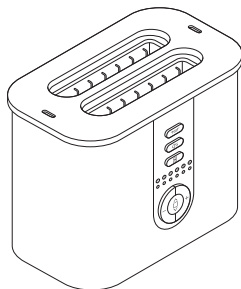




TOASTER
INSTRUCTIONS FOR USE
SAVE THESE INSTRUCTIONS

GRILLE-PAIN
MODE D'EMPLOI
CONSERVEZ CE MODE D'EMPLOI

TOSTADORES
INSTRUCCIONES PARA EL USO
REPASE Y GUARDE ESTAS INSTRUCCIONES
LEA CUIDADOSAMENTE ESTE INSTRUCTIVO ANTES DE USAR
SU APARATO



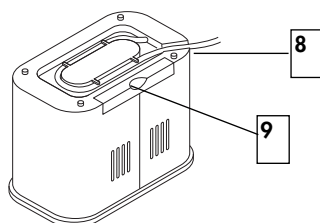
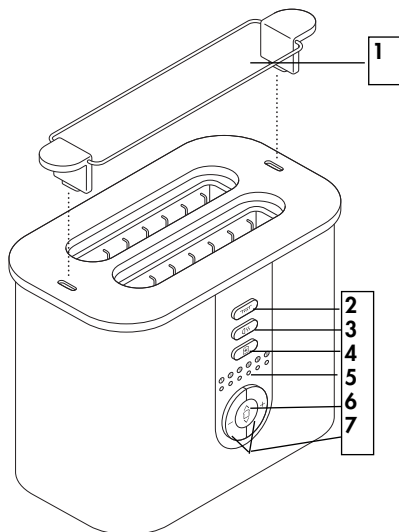
MODEL/MODELE/MODELO
DTT720

Register this product on-line and receive a free trial issue of Cook's Illustrated. Visit www.delonghiregistration.com.
Visit www.delonghiusa.com for a list of service centers near you.
(U.S. Only)

Enregistrez ce produit en ligne et recevez un numéro gratuit de Cook's Illustrated. Visitez www.delonghiregistration.com.
Visitez www.delonghiusa.com pour voir une liste des centres de réparation proches de chez vous. (É.-U. uniquement)

Registre este producto en línea y reciba un ejemplar gratis de Cook's Illustrated. Visite www.delonghiregistration.com.
Visite www.delonghiusa.com para ver la lista de centros de servicios cercanos a usted. (Solamente en los Estados Unidos)

ELECTRONIC CHARACTERISTICS/CARACTÉRISTIQUES ÉLECTRONIQUES
CARACTERÍSTICAS ELECTRICAS
120V~60HZ 800W



DESCRIPTION

- 1 removable warming rack
- 2 warming button
- 3 bagel button
- 4 defrost button
- 5 browning indicator lights
- 6 carriage/cancel button
- 7 +/- buttons
- 8 cord storage
- 9 crumb tray



DESCRIPTION DE L'APPAREIL

- 1 grille de réchauffage amovible
- 2 bouton de la grille chauffante
- 3 bouton « bagel » (petit pain)
- 4 bouton de décongélation
- 5 témoins lumineux de brunissage
- 6 bouton de commande du chariot/annulation
- 7 boutons +/-
- 8 rangement du cordon
- 9 plateau ramasse-miettes



DESCRIPCIÓN DEL APARATO

- 1 rejilla para calentar que se puede quitar
- 2 botón de la rejilla para calentar
- 3 botón "bagels"
- 4 botón para descongelar
- 5 luces indicadoras de tostado
- 6 botón del soporte/cancelar
- 7 botones +/-
- 8 recoge-cables
- 9 bandeja para migas





SAFETY PRECAUTIONS

When using electrical appliances, basic safety precautions should always be followed:

- 1 Read all instructions.
- 2 Close supervision is necessary when the toaster is used by or near children.
- 3 Do not let the toaster operate unattended, particularly when toasting for the first time or when changing settings.
- 4 Do not use the appliance for other than its intended use.
- 5 Before each use make sure that the crumb tray is in place.
- 6 Do not touch the metal parts or hot surfaces of the appliance when it is working. Use handles or knobs.
- 7 To protect against electrical shock do not immerse cord, plugs, or appliance in water or other liquids.
- 8 To disconnect remove plug from the wall outlet (when the toasting cycle is finished).
- 9 Unplug from outlet when not in use and before cleaning. Allow to cool down before cleaning and before putting on or taking off parts.
- 10 Do not operate any appliance with a damaged cord or plug or after the appliance malfunctions, or has been damaged in any manner. Return appliance to an approved after sales service center for examination, repair, or adjustment, in order to avoid any risk of danger. See Warranty.
- 11 This appliance has a polarized plug (one blade is wider than the other). To reduce the risk of electric shock, this plug is intended to fit into a polarized outlet only one way. If the plug does not fit fully into the outlet, reverse the plug. If it still does not fit, contact a qualified electrician. Do not attempt to modify the plug in any way.
- 12 The use of accessory attachments are not recommended by the appliance manufacturer as it may cause injuries.
- 13 Do not let the cord hang over the edge of countertop or come in contact with hot surfaces.
- 14 Do not place on or near a gas or electric burner or near a heated oven.
- 15 Oversized foods, metal foil packages, or utensils must not be inserted in a toaster as they may cause an electric shock or fire.
- 16 Do not try to toast very thick slices of bread that could block the toasting mechanism.
- 17 If the bread gets stuck in the slots after toasting and the elements do not switch off, disconnect the plug immediately from the wall outlet and wait for the appliance to cool before attempting to remove the bread.
- 18 Do not cover this appliance while in use.
- 19 Do not put paper towels, cardboard or plastic in, on or under the toaster.
- 20 There is a fire risk if the toaster is "covered" by, in contact with, close to or beneath flammable materials like curtains, drapes or wood.
- 21 Bread can burn, therefore do not use this appliance near any flammable materials such as curtains, under shelving or wall cupboards, etc...
- 22 If flames were to arise from parts of the toaster, never attempt to extinguish them with water. Unplug the appliance and smother the flames with a damp cloth.
- 23 Do not attempt to dislodge food when toaster is plugged in.
- 24 To disconnect, turn any control to "off", then remove plug from wall outlet.
- 25 Disconnect the appliance if it shows any working abnormalities, after each use, when moving it and before cleaning.
- 26 Do not use outdoors. Avoid humid environments.
- 27 Do not use this appliance as source of heating or drying.
- 28 Do not use the toaster for cooking, grilling or defrosting frozen food other than bread products.
- 29 Do not use the toaster for toasting bread and reheating pastries/croissants at the same time.
- 30 The toaster must always be used in the upright position (not on its side or tilted forward or back).
- 31 Regularly remove crumbs from crumb tray.
- 32 This product has been designed for domestic use only. Any professional use, inappropriate use or failure to comply with the instructions will void the warranty.
- 33 **WARNING – TO PREVENT ELECTRIC SHOCK, UNPLUG BEFORE CLEANING.**
- 34 **DO NOT IMMERSE IN WATER.**

HOUSEHOLD USE ONLY

SAVE THESE INSTRUCTIONS

SAFETY INSTRUCTIONS

- For your safety, this appliance complies with applicable technical rules and norms.
- Check that the main voltage corresponds to the voltage indicated on the appliance(alternating voltage only).
- Because of the diversity of applicable norms, if this appliance is used in a country other than the country it was bought in, it has to be checked by an authorized Service Center.
- Use a stable work surface, away from any contact with water.
- Do not move the appliance when working.
- Do not disconnect the appliance by pulling on the cord.

SHORT CORD INSTRUCTIONS

- (a) A short power cord is provided, to reduce risks resulting from becoming entangled in or tripping over a longer cord.
- (b) Longer extension cords are available and may be used if care is exercised in their use.
- (c) If a longer extension cord is used:
 - The marked electrical rating of the extension cord should be at least as great as the electrical rating of the appliance.
 - The cord should be arranged so that it will not drape over the countertop or tabletop where it can be pulled on by children or tripped over unintentionally.
- (d) Do not unplug appliance by pulling on cord. Instead grasp plug and pull to disconnect.
- (e) Never wrap cord around toaster. Use cord storage on the underside of unit.

TO USE YOUR TOASTER

- 1 Plug the toaster into the power supply and an audible beep will be heard. Setting 3 will automatically be selected and the corresponding indicator light will glow.
 - To increase the setting press the + button and to decrease the setting press the – button. The indicator light will show which setting has been selected.
 - If subsequent toasting is carried out the toaster will use the last setting selected. However, if the toaster is unplugged then it will automatically default to setting 3 when it is next used.
- 2 Insert the bread, muffins etc.
- 3 Press the carriage button which will illuminate and the carriage will automatically lower.
 - To stop toasting at any stage, press the carriage button.
- 4 All the indicator lights below the selected setting will glow and as the toasting operation progresses the lights will go off one by one as the time reduces.
- 5 Approximately 8 seconds before the toasting operation has finished the toaster will emit an audible sound to indicate that toasting is near completion.
- 6 At completion the carriage will automatically rise allowing the toast to be removed. After a few seconds if the toast is not removed the carriage will automatically lower and the keep warm function will operate. During this time the toaster heating elements will glow on and off with a faint audible “click” and the indicator lights will flash.
- 7 Your toasted item can be removed at any time during the keep warm function by using the carriage/cancel button but will be ejected automatically after approximately 5 minutes.
 - To toast bagels, place the bagel with its cut sides facing inwards. Press the bagel button then press the carriage button, both buttons will glow.
Note when toasting bagels the elements on the two inside slots will toast with a higher heat than those on the outside
 - To toast frozen bread, press the defrost button, then press the carriage button, both buttons will glow.
 - To toast frozen bagels press both the defrost and bagel buttons, then press the carriage button, all buttons will glow.

HINTS ON USING YOUR TOASTER

- Select a lower setting for light browning, for toasting one slice only or for dry bread.
- When toasting a single slice of bread, you may notice a variation in toast color from one side to the other - this is normal.
- Dry/stale bread toasts more quickly than fresh bread and thinly sliced bread toasts more quickly than thickly sliced bread. Therefore the browning control should be set at a lower setting than usual.
- For best results ensure that the bread slices are of an even thickness, freshness and size.
- In order to achieve uniform browning we recommend you wait a minimum of 30 seconds between each toasting so that the control can automatically reset. Alternatively select a lower setting when additional toasting is carried out.

WARMING RACK SAFETY

- 1 Never completely cover the warming rack.
- 2 When using the warming rack, never wrap the food up. Plastic wrapping will melt and could catch fire. Foil will reflect heat, damaging the toaster.
- 3 If you're using the toaster slots, always remove the warming rack so it can't burn you.

TO USE THE WARMING RACK

- 1 Place the warming rack into the holes on top of the toaster (Fig.1).
- 2 Put your food on top of the rack (slice thick items in half to keep their outsides from burning). Watch to make sure it doesn't burn, and turn it over half way through.
- 3 Press the warming rack button, then press the carriage button. Both buttons will glow and the carriage will lower automatically.
- 4 During operation the indicator lights will flash one after the other and after about 2 1/2 minutes the carriage will rise automatically.
- 5 To stop the operation at any time press the carriage button.
- 6 To remove the warming rack, allow the toaster to cool and unplug.
- 7 Lift off the warming rack.

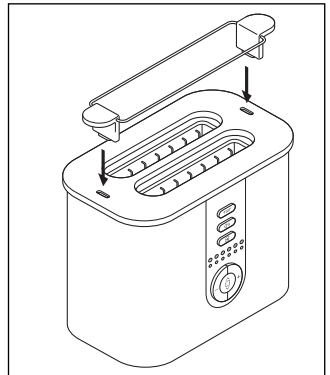


Fig.1

TO STOP THE AUDIBLE BEEP

Should you wish to stop the audible beep that accompanies some of the toaster operations, hold down the defrost button for 3 seconds and the defrost light will go out to acknowledge the change.

If at any point you wish to re-install the beep repeat the above procedure and the toaster will beep once. However, when the toaster is unplugged the beep will automatically be re-installed.

CARE AND CLEANING

- 1 Before cleaning, unplug your toaster and let it cool down.
- 2 Slide out the crumb tray (Fig.2). Clean, then replace. Do this regularly: crumbs can smoke or even burn.
- 3 Wipe the outside of the toaster with a damp cloth, then dry.

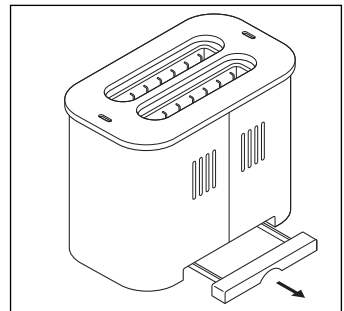


Fig.2



LIMITED WARRANTY

This warranty applies to all products with De'Longhi or Kenwood brand names.

What does the warranty cover?

We warrant each appliance to be free from defects in material and workmanship. Our obligation under this warranty is limited to repair at our factory or authorized service center of any defective parts or part thereof, other than parts damaged in transit. In the event of a products replacement or return, the unit must be returned transportation prepaid. The repaired or new model will be returned at the company expense.

This warranty shall apply only if the appliance is used in accordance with the factory directions, which accompany it, and on an Alternating current (AC) circuit.

How long does the coverage last?

This warranty runs for one year (1) from the purchase date found on your receipt and applies only to the original purchaser for use.

What is not covered by the warranty?

The warranty does not cover defects or damage of the appliance, which result from repairs or alterations to the appliance outside our factory or authorized service centers, nor shall it apply to any appliance, which has been subject to abuse, misuse, negligence or accidents. Also, consequential and incidental damage resulting from the use of this product or arising out of any breach of contract or breach of this warranty are not recoverable under this warranty. Some states do not allow the exclusion or limitation of incidental or consequential damage, so the above limitation may not apply to you.

How do you get service?

If repairs become necessary, see contact information below:

U.S. Residents:

Please contact our toll free hotline at 800-322-3848 or log onto our website at www.delonghi.com.

For all accessories, spare parts or replacement parts, please contact our parts division at 1-800-865-6330.

Residents of Canada: Please contact our toll free hotline at 1-888-335-6644 or log onto our website at www.delonghi.com.

Residents of Mexico: Please refer to the Limited Warranty statement for Mexico.

Please refer to the back page of the manual for De'Longhi addresses.

The above warranty is in lieu of all other express warranties and representations. All implied warranties are limited to the applicable warranty period set forth above. This limitation does not apply if you enter into an extended warranty with De'Longhi. Some states do not allow limitations on how long an implied warranty lasts, so the above exclusions may not apply to you. De'Longhi does not authorize any other person or company to assume for it any liability in connection with the sale or use of its appliance.

How does state law apply?

This warranty gives you specific legal rights, and you may also have other rights, which vary from state to state.



De'Longhi America, Inc.
Park 80 West, Plaza One
Saddle Brook, NJ 07663
1-800-322-3848

De'Longhi Canada, Inc.
6150 McLaughlin Road
Mississauga, Ontario
L5R 4E1 Canada
1-888-335-6644

Fiducia Italiana S.A de C.V.
Pestalozzi 814
Col. Del Valle
Del. Benito Juarez
México D.F. 03100
tels: 5543 1447 y 5543 6492
Lada sin costo: 01800 711 8805

www.delonghi.com