

This Owner's Manual is provided and hosted by [Appliance Factory Parts](http://www.appliancefactoryparts.com).



DE'LONGHI DTT312 Owner's Manual

[Shop genuine replacement parts for DE'LONGHI
DTT312](#)



[Find Your DE'LONGHI Small Appliance Parts - Select From 131 Models](#)

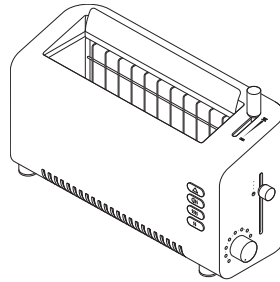
----- Manual continues below -----



**TOASTER
INSTRUCTIONS FOR USE
SAVE THESE INSTRUCTIONS**

**GRILLE-PAIN
MODE D'EMPLOI
CONSERVEZ CE MODE D'EMPLOI**

**TOSTADORES
INSTRUCCIONES PARA EL USO
REPASE Y GUARDE ESTAS INSTRUCCIONES
LEA CUIDADOSAMENTE ESTE INSTRUCTIVO ANTES DE USAR
SU APARATO**



**MODEL/MODELE/MODELO
DTT312**

Register this product on-line and receive a free trial issue of Cook's Illustrated.
Visit www.delonghiregistration.com.
Visit www.delonghiusa.com for a list of service centers near you. (U.S. Only)

Enregistrez ce produit en ligne et recevez un numéro gratuit de Cook's Illustrated.
Visitez www.delonghiregistration.com.
Visitez www.delonghiusa.com pour y voir une liste des centres de réparation proches de chez vous. (É.-U. uniquement)

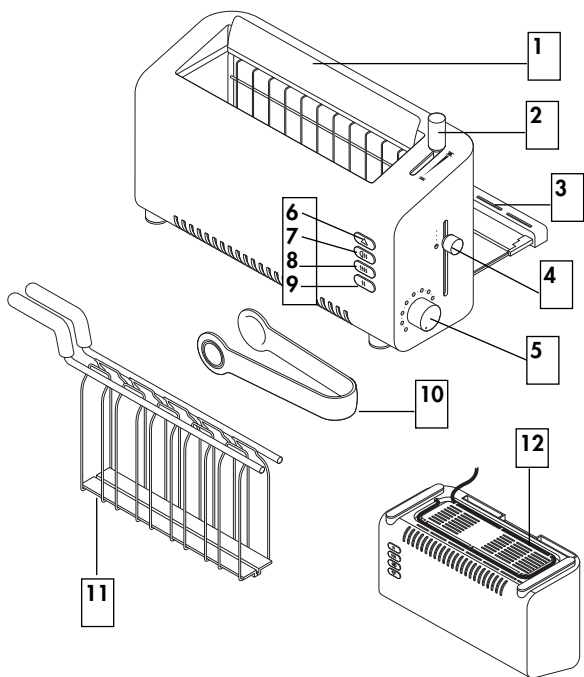
Registre este producto en línea y reciba un ejemplar gratis de Cook's Illustrated.
Visite www.delonghiregistration.com.
Visite www.delonghiusa.com para ver la lista de centros de servicios cercanos a usted. (Solamente en los Estados Unidos)

ELECTRONIC CHARACTERISTICS/CARACTÉRISTIQUES ÉLECTRONIQUES
CARACTERISTICAS ELECTRICAS
120V~60HZ 800W



DESCRIPTION

- 1 Adjustable heating panel
- 2 Lever to adjust heating panel
- 3 Large removable crumb tray
- 4 Adjustable Lift Lever
- 5 Browning control
- 6 Cancel button
- 7 Bagel Button
- 8 High power button (Toast)
- 9 Low power button (Warm)
- 10 Tong
- 11 Sandwich cage
- 12 Cord storage



DESCRIPTION DE L'APPAREIL

- 1 panneau de commande
- 2 levier de réglage de largeur de fente
- 3 large plateau ramasse-miettes amovible
- 4 levier de chariot
- 5 bouton de contrôle du brunissage
- 6 bouton d'annulation avec témoin
- 7 bouton bagel
- 8 bouton puissance élevée avec témoin
- 9 bouton puissance faible avec témoin
- 10 pinces
- 11 compartiment à sandwich
- 12 rangement du cordon



DESCRIPCIÓN DEL APARATO

- 1 panel exterior
- 2 palanca de ranura regulable
- 3 bandeja recogemigas grande desmontable
- 4 palanca de elevación
- 5 control de tostado
- 6 botón cancelar con luz indicadora
- 7 botón "bagels"
- 8 botón de alta potencia con luz indicadora
- 9 botón de baja potencia con luz indicadora
- 10 pinzas
- 11 ejilla
- 12 recogecables



SAFETY PRECAUTIONS

When using electrical appliances, basic safety precautions should always be followed:

- 1 Read all instructions.
- 2 Close supervision is necessary when the toaster is used by or near children.
- 3 Do not let the toaster operate unattended, particularly when toasting for the first time or when changing settings.
- 4 Do not use the appliance for other than its intended use.
- 5 Before each use make sure that the crumb tray is in its location.
- 6 Do not touch the metal parts or hot surfaces of the appliance when it is working. Use handles or knobs.
- 7 To protect against electrical shock do not immerse cord, plugs, or appliance in water or other liquids.
- 8 To disconnect remove plug from the wall outlet (when the toasting cycle is finished).
- 9 Unplug from outlet when not in use and before cleaning. Allow to cool down before cleaning and before putting on or taking off parts.
- 10 Do not operate any appliance with a damaged cord or plug or after the appliance malfunctions, or has been damaged in any manner. Return appliance to an approved after sales service center for examination, repair, or adjustment, in order to avoid any risk of danger. See Warranty.
- 11 This appliance has a polarized plug (one blade is wider than the other). To reduce the risk of electric shock, this plug is intended to fit into a polarized outlet only one way. If the plug does not fit fully into the outlet, reverse the plug. If it still does not fit, contact a qualified electrician. Do not attempt to modify the plug in any way.
- 12 The use of accessory attachments are not recommended by the appliance manufacturer as it may cause injuries.
- 13 Do not let the cord hang over the edge of countertop or in contact with hot surfaces.
- 14 Do not place on or near a gas or electric burner or near a heated oven.
- 15 Oversized foods, metal foil packages, or utensils must not be inserted in a toaster as they may cause an electric shock or fire.
- 16 If the bread gets stuck in the slots after toasting and the elements do not switch off, disconnect the plug immediately from the wall outlet and wait for the appliance to cool before attempting to remove the bread.
- 17 Do not cover this appliance while in use.
- 18 Do not put paper towels, cardboard or plastic in, on or under the toaster.
- 19 There is a fire risk if the toaster is "covered" by, in contact with, close to or beneath flammable materials like curtains, drapes or wood.
- 20 Bread can burn, therefore do not use this appliance near any flammable materials such as curtains, under shelving or wall cupboards, etc...
- 21 If flames were to arise from parts of the toaster, never attempt to extinguish them with water. Unplug the appliance and smother the flames with a damp cloth.
- 22 Do not attempt to dislodge food when toaster is plugged in.
- 23 To disconnect, press cancel button to turn "off", then remove plug from wall outlet.
- 24 Disconnect the appliance if it shows any working abnormalities, after each use, when moving it and before cleaning.
- 25 Do not use outdoors. Avoid humid environments.
- 26 Do not use this appliance as source of heating or drying.
- 27 Do not use the toaster for toasting bread and reheating pastries/croissants at the same time.
- 28 The toaster must always be used in the upright position (not on its side or tilted forward or back).
- 29 Regularly remove crumbs from crumb tray.
- 30 This product has been designed for domestic use only. Any professional use, inappropriate use or failure to comply with the instructions will void the warranty.

SAVE THESE INSTRUCTIONS

FOR HOUSEHOLD USE ONLY

SAFETY INSTRUCTIONS

- For your safety, this appliance complies with applicable technical rules and norms.
- Check that the mains voltage corresponds to the voltage indicated on the appliance (alternating voltage only).
- Because of the diversity of applicable norms, if this appliance is used in a country other than the country it was bought in, it has to be checked by an authorized Service Center.
- Use a stable work surface, away from any contact with water.
- Do not move the appliance when working.
- Do not disconnect the appliance by pulling on the cord.
- Warning-To prevent electric shock, unplug before cleaning.

SHORT CORD INSTRUCTIONS

- (a) A short power cord is provided, to reduce risks resulting from becoming entangled in or tripping over a longer cord.
- (b) Longer extension cords are available and may be used if care is exercised in their use.
- (c) If a longer extension cord is used:
- The marked electrical rating of the extension cord should be at least as great as the electrical rating of the appliance.
 - The cord should be arranged so that it will not drape over the countertop or tabletop where it can be pulled on by children or tripped over unintentionally.
- (d) Do not unplug appliance by pulling on cord. Instead grasp plug and pull to disconnect.
- (e) Never wrap cord around toaster. Use cord storage on the underside of unit.

TO USE YOUR TOASTER

Note: All filled food items such as sandwiches should be toasted using the sandwich cage see "to toast food items using the sandwich cage".

- 1 Plug the toaster into the power outlet, an audible beep will be heard.
- 2 Adjust the slot width using the lever (2) to suit the food item (Fig 1). **CAUTION:** Take care not to touch the adjustable heating panel, it may be hot.
- 3 Insert the bread, muffins, bagels, croissants etc. Do not force food items into the toaster.
- 4 Lower the carriage lever (Fig 2).
- 5 Move the browning control to the desired setting. Use a low browning control setting for light toasting and for thin or dry bread.
- 6 Select the desired button (i.e. high power, low power or bagel). The selected button and cancel button lights will illuminate, an audible beep will be heard and toasting will begin.
 - To toast bagels the cut side should be facing the front of the toaster.
 - Note: when toasting using the bagel button, the front element will toast with a higher heat than the element at the back of the toaster. This will result in only one side of the item being toasted.
 - You can use the carriage lever to lift the food item to view at any time without cancelling.
- 7 To stop toasting at any stage, press the cancel button. The toaster will emit an audible beep to indicate toasting is cancelled and the button lights will go out.
- 8 When toasting is nearly finished the toaster will emit an audible beep and after a slight delay the button lights will go out and the toasting will stop. The food item will NOT pop

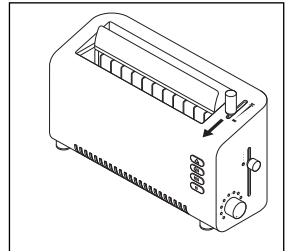


Fig.1

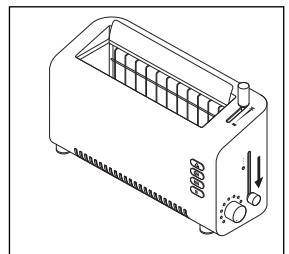


Fig.2

- up.
- 9 Use the carriage lever to raise the food item.
- 10 After use, unplug the toaster.

USING THE TONGS

- Unplug the toaster, use the carriage lever to raise the food item and use the tongs to assist with the removal of particularly small items such as English muffins or crumpets.
- CAUTION:** Avoid touching the metal parts with the tongs.

TO TOAST FOOD ITEMS USING THE SANDWICH CAGE

- **Thoroughly cook or re-heat ingredients such as meat or fish prior to adding them to the sandwich and ensure all ingredients are piping hot throughout before serving. Do not re-heat ingredients more than once.**
 - **Do not leave hot ingredients to cool before toasting the food item.**
 - **Ensure all ingredients particularly meat or fish are fresh and used within use-by dates.**
 - **Use other vegetable ingredients at room temperature to avoid them chilling the hot cooked ingredients.**
 - When cutting your panini or ciabattas etc do not cut all the way through, instead leave the bottom side uncut so that it prevents melted cheese from dripping into the toaster.
 - Cut ingredients thinly - do not use large chunks.
 - Take care when using ingredients that could melt and run out of the food item. We do not recommend the use of high fat or similar fillings that may drip into the toaster as this will be difficult to clean.
 - Lightly butter the outside surface of sandwiches and place the filling in between the unbuttered sides. This helps prevent the outside from burning. Do not use low fat spreads, which are not suitable for toasting.
 - Ensure the food item is evenly filled.
 - Always use food items that are a suitable size for the sandwich cage. Do not force food items into the toaster.
- 1 Plug the toaster into the power outlet, an audible beep will be heard.
 - 2 Place the food item in the sandwich cage and close.
 - 3 Adjust the slot width to suit the sandwich cage. **CAUTION:** Take care not to touch the adjustable heating panel, it may be hot.
 - 4 Lower the carriage lever and place the sandwich cage into the slot with the handle pointing to the opposite end to the controls (Fig 3).
 - 5 Move the browning control to the desired setting.
 - 6 It is recommended to use the low power setting. The selected button and cancel button lights will illuminate, an audible beep will be heard and toasting will begin.
 - In order to monitor the progress of the toasting, the sandwich cage can be lifted up without cancelling.
 - 7 To stop toasting at any stage, press the cancel button. The toaster will emit an audible beep to indicate toasting is cancelled and the button lights will go out.
 - 8 When toasting is nearly finished the toaster will emit an audible beep and after a slight delay the button lights will go out and the toasting will stop. The food item will NOT pop up.
 - 9 Leave the toasted food item to stand for 1 minute inside the toaster before serving.
 - 10 Remove the sandwich cage then open it up and tip the food item onto a plate.
 - 11 After using, unplug the toaster.

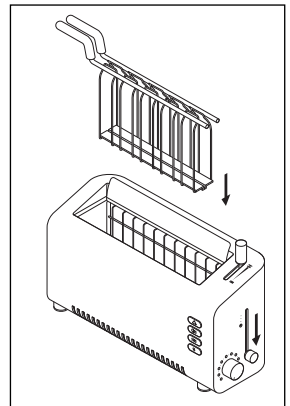


Fig.3

CAUTION:

- The sandwich cage will be very hot, ensure it is placed on a heat resistant surface and take care when handling.
- Ensure ingredients are piping hot throughout before serving.
- Take care when biting into the food items as the fillings can be very hot.

HINTS & TIPS ON USING YOUR TOASTER

These are recommendations only. After a short period of use, experience will teach you which setting is the right one for your needs. It is advisable to initially start off with a lower setting until you become familiar with the toaster.

power level	food item examples	setting range recommended
Bagel ☺☺☺ For toasting one side only	<ul style="list-style-type: none"> • Bagels • English muffins • Muffins 	6-8 4-6 3-5
High ☺☺☺☺	<ul style="list-style-type: none"> • Sliced bread • Frozen waffles 	4-6 6-8
Low ☺☺	<ul style="list-style-type: none"> • Ciabatta bread • Whole baguettes • Filled croissants • Filled sandwiches 	9-10 4-6 4-6 6-8

HINTS & TIPS:

- Don't make the slot width too narrow or close the sandwich cage too tightly and squash the food item.
- Slices should be cleanly cut and not have serrated edges.
- For frozen bread use a browning control setting higher than you would normally use for the type of bread.
- For sandwiches cut ingredients thinly - do not use large chunks.
- Dry/stale bread toasts more quickly than fresh bread and thinly sliced bread toasts more quickly than thickly sliced bread. Therefore the browning control should be set at a lower setting than usual for dry or thin bread.
- For best results when toasting more than one slice, ensure that the bread slices are of an even thickness, freshness and size.
- In order to achieve uniform browning, we recommend you wait a minimum of 30 seconds between each toasting so that the control can automatically reset. Alternatively select a lower browning control setting when additional toasting is carried out.

FOOD SAFETY:

- Thoroughly cook or re-heat ingredients such as meat or fish prior to adding them to the food item and ensure all ingredients are piping hot throughout before serving. Do not re-heat ingredients more than once.
- Do not leave hot ingredients to cool before toasting the food item.
- Ensure all ingredients particularly meat or fish are fresh and used within use-by dates.
- Use other vegetable ingredients at room temperature to avoid them chilling the hot cooked ingredients.

CARE AND CLEANING

- 1 Before cleaning, unplug your toaster and let it cool down. Allow the sandwich cage and tongs to cool down completely before cleaning.
 - 2 Wash the sandwich cage and tongs with hot soapy water, then dry thoroughly.
 - 3 Slide out the crumb tray (Fig 4). Clean, then replace. Do this regularly: crumbs can smoke or even burn. Pay particular attention to cleaning melted cheese and other ingredients from sandwiches etc that may fall onto the crumb tray.
 - 4 Wipe the outside of the toaster with a damp cloth, then dry.
- Do not wash any part in the dishwasher.

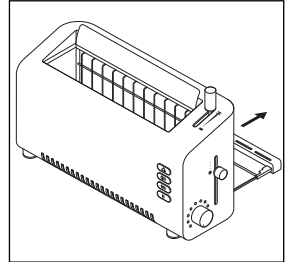


Fig.4



LIMITED WARRANTY

This warranty applies to all products with De'Longhi or Kenwood brand names.

What does the warranty cover?

We warrant each appliance to be free from defects in material and workmanship. Our obligation under this warranty is limited to repair at our factory or authorized service center of any defective parts or part thereof, other than parts damaged in transit. In the event of a products replacement or return, the unit must be returned transportation prepaid. The repaired or new model will be returned at the company expense.

This warranty shall apply only if the appliance is used in accordance with the factory directions, which accompany it, and on an Alternating current (AC) circuit.

How long does the coverage last?

This warranty runs for one year (1) from the purchase date found on your receipt and applies only to the original purchaser for use.

What is not covered by the warranty?

The warranty does not cover defects or damage of the appliance, which result from repairs or alterations to the appliance outside our factory or authorized service centers, nor shall it apply to any appliance, which has been subject to abuse, misuse, negligence or accidents. Also, consequential and incidental damage resulting from the use of this product or arising out of any breach of contract or breach of this warranty are not recoverable under this warranty. Some states do not allow the exclusion or limitation of incidental or consequential damage, so the above limitation may not apply to you. Product is only covered in country where purchased.

How do you get service?

If repairs become necessary, see contact information below:

U.S. Residents:

Please contact our toll free hotline at 800-322-3848 or log onto our website at www.delonghiusa.com

For all accessories, spare parts or replacement parts, please contact our parts division at 1-800-865-6330.

Residents of Canada: Please contact our toll free hotline at 1-888-335-6644 or log onto our website at www.delonghi.com.

Residents of Mexico: Please refer to the Limited Warranty statement for Mexico.

Please refer to the back page of the manual for De'Longhi addresses.

The above warranty is in lieu of all other express warranties and representations. All implied warranties are limited to the applicable warranty period set forth above. This limitation does not apply if you enter into an extended warranty with De'Longhi. Some states do not allow limitations on how long an implied warranty lasts, so the above exclusions may not apply to you. De'Longhi does not authorize any other person or company to assume for it any liability in connection with the sale or use of its appliance.

How does state law apply?

This warranty gives you specific legal rights, and you may also have other rights, which vary from state to state.



De'Longhi America, Inc.
Park 80 West, Plaza One
Saddle Brook, NJ 07663
1-800-322-3848

De'Longhi Canada, Inc.
6150 McLaughlin Road
Mississauga, Ontario
L5R 4E1 Canada
1-888-335-6644

Fiducia Italiana S.A de C.V.
Pestalozzi 814
Col. Del Valle
Del. Benito Juarez
México D.F. 03100
tels: 5543 1447 y 5543 6492
Lada sin costo: 01800 711 8805

www.delonghi.com