

LANDMANN®

BLACK DOG™ 28 GRILL

MODEL 590131

ASSEMBLY AND OPERATING INSTRUCTIONS



FOR SAFE OPERATION, PLEASE READ THIS ENTIRE INSTRUCTION MANUAL BEFORE USE.

VER. 4, 10/27/09



READ FIRST! RULES FOR SAFE OPERATION

- THE **BLACK DOG** IS FOR OUTDOOR USE ONLY!
- KEEP THE **BLACK DOG** AWAY FROM BUILDINGS, FLAMMABLE ITEMS AND VEHICLES.
- DO NOT USE THE **BLACK DOG** UNDER A COVER OR AWNING.
- THE **BLACK DOG** IS FOR ADULT USE ONLY.
- KEEP CHILDREN AND PETS AWAY WHILE IT IS BEING USED.
- MITTENS OR GLOVES WILL BE NEEDED TO OPEN THE LID AND DOORS AS SURFACES WILL BE HOT.
- DO NOT MOVE THE **BLACK DOG** WHILE IT IS BEING USED.
- DO NOT LEAVE UNATTENDED AT ANY TIME WHILE IN USE.
- DO NOT USE IN WINDY CONDITIONS.
- NEVER USE KEROSENE, GASOLINE OR ANY OTHER FUELS AS A STARTING AGENT.
- USE CAUTION WHEN OPENING THE LID, AS HOT STEAM OR A FLARE UP COULD CAUSE BURNS.
- BEFORE EACH USE, MAKE SURE THE **BLACK DOG** IS IN GOOD WORKING CONDITION.
- USE CAUTION AFTER THE FIRE HAS BEEN EXTINGUISHED- SURFACES WILL REMAIN HOT FOR SOME TIME.
- BE SURE ALL COALS ARE COLD BEFORE EMPTYING. DISPOSE OF COALS PROPERLY.



FOOD SAFETY

- RAW POULTRY AND MEAT SHOULD BE KEPT SEPARATE FROM READY TO EAT FOOD.
- USE CLEAN PLATTERS AND UTENSILS FOR HANDLING COOKED FOODS.
- COOK POULTRY AND MEATS THOROUGHLY TO KILL BACTERIA.
- USE INSTANT-READ THERMOMETER TO ENSURE PROPER INTERNAL FOOD TEMPERATURES.
- KEEP PREPARED FOOD AND LEFTOVERS REFRIGERATED.
- WASH HANDS, UTENSILS AND SURFACES WITH SOAP AND HOT WATER PRIOR TO AND AFTER HANDLING RAW POULTRY AND MEATS.
- FOR MORE INFORMATION CALL USDA MEAT AND POULTRY HOTLINE: 1-800-535-4555 IN WASHINGTON, DC.



MODEL 590131

Congratulations on your purchase of the Black Dog 28 Grill! At Landmann USA, our goal is to provide products that are easy to assemble and fun to use. Should you have questions, issues, a defective part or if you have any questions concerning its use, please contact us at: grills@landmann-usa.com -OR- 1-877-3GRILLS (1-877-347-4557) M-F 8-5 Eastern Time Proof of purchase may be required.

WARNING !



CARBON MONOXIDE HAZARD !

Burning wood or charcoal produces carbon monoxide, which has no odor and can kill you if burned in enclosed areas. NEVER burn wood or charcoal inside homes, vehicles, tents or any other enclosed area.

Landmann USA
Cartersville, GA 30120
www.landmann-usa.com
Made in China
© 2009 Landmann USA

LANDMANN®

BLACK DOG™ 28 GRILL

MODEL 590131

PART LISTING

FIRE PIT PARTS	QTY
A. GRILL LID	1
B. CASTER LEG	1
C. WHEEL AXLE LEG	1
D. MAIN TOP FRAME	1
E. FRONT LEG CONNECTOR	1
F. BACK LEG CONNECTOR	1
G. DOOR FRAME PANEL	1
H. LEFT DOOR	1
J. RIGHT DOOR	1
K. LEFT FIREBOX PANEL	1
L. RIGHT FIREBOX PANEL	1
M. BACK FIREBOX PANEL	1
N. BOTTOM PANEL	1
P. ASH TRAY	1
Q. SIDE SHELF	1
R. LEFT SIDE SHELF BRACKET	1
S. RIGHT SIDE SHELF BRACKET	1
T. WHEEL	2
U. WHEEL AXLE	1
V. COOKING GRATE (14.6" x 16.5")	2
W. AIR VENT	4
X. TEMPERATURE GAUGE WITH HEXNUT	1
Y1. LEFT LID HINGE	1
Y2. RIGHT LID HINGE	1
Z. DOOR LATCH	1
AA. HANDLE	4
AB. LOCK WASHER	5
AC. HEXNUT	9
AD. WHEEL AXLE LOCKNUT	2
AE. 60MM BOLT	2
AF. 40MM BOLT	6
AG. 12MM BOLT	47
AH. 8MM HANDLE BOLT	8
AJ. 12MM COLLAR SET SCREW	4
AK. 8MM LID HINGE SET SCREW	2
AL. 75MM x 25MM CASTER	2

ADJUSTABLE CHARCOAL GRATE PARTS	QTY
BA. CHARCOAL GRATE FRAME	1
BB. CHARCOAL GRATE (13.6" x 14.6")	2
BC. CHARCOAL GRATE ADJUSTMENT HANDLE ROD	1
BD. SPRING HANDLE	1
BE. CAP NUT	1
BF. ADJUSTMENT ROD	1
BG. ADJUSTMENT WIRE AND COLLAR	2
BH. END COLLAR	1
BJ. TENSION SPRING	1
BK. EYE BOLT	2
BL. EYE BOLT WASHER	2

When unpacking the Black Dog from the carton, make sure you find and become familiar with all parts before discarding any packing materials.



FOR OUTDOOR USE ONLY
IF YOU HAVE BROKEN OR MISSING PARTS,
PLEASE CALL CUSTOMER SERVICE AT
1-877-347-4557

LIMITED WARRANTY

Landmann USA ("Landmann") warrants that this product shall be free of defects in material and workmanship to the original purchaser for 90 days. This limited warranty is made exclusively to the original customer presenting proof of purchase. This warranty is limited to non-commercial residential use only. Any returned goods must be shipped prepaid. The ash pan is specifically excluded from this warranty, as cleaning and maintaining is vital to its life, lining with aluminum foil will help prolong the use of the ash pan over time.

This warranty does not cover normal wear of parts or damage resulting from any of the following: negligence, abuse, misuse, alteration, improper installation, improper maintenance or failure to perform normal maintenance, or any use contrary to operating instructions. Furthermore, Landmann does not warrant in any way the paint finish of the product or cover damage or deterioration due to any normal or severe weather conditions or to any chemical exposure. These warranties do not cover surface scratches or heat damage, which is considered to be normal wear. These warranties exclude liability for any indirect, incidental consequential damages or loss of property of any nature.

Do not return product or any parts to the store or ship to the manufacturer without written authorization. Contact Customer Service at 1-877-3GRILLS (1-877-347-4557) or grills@landmann-usa.com. Any returned products or parts must be returned postage prepaid.

These warranties are limited to non-commercial residential use only.

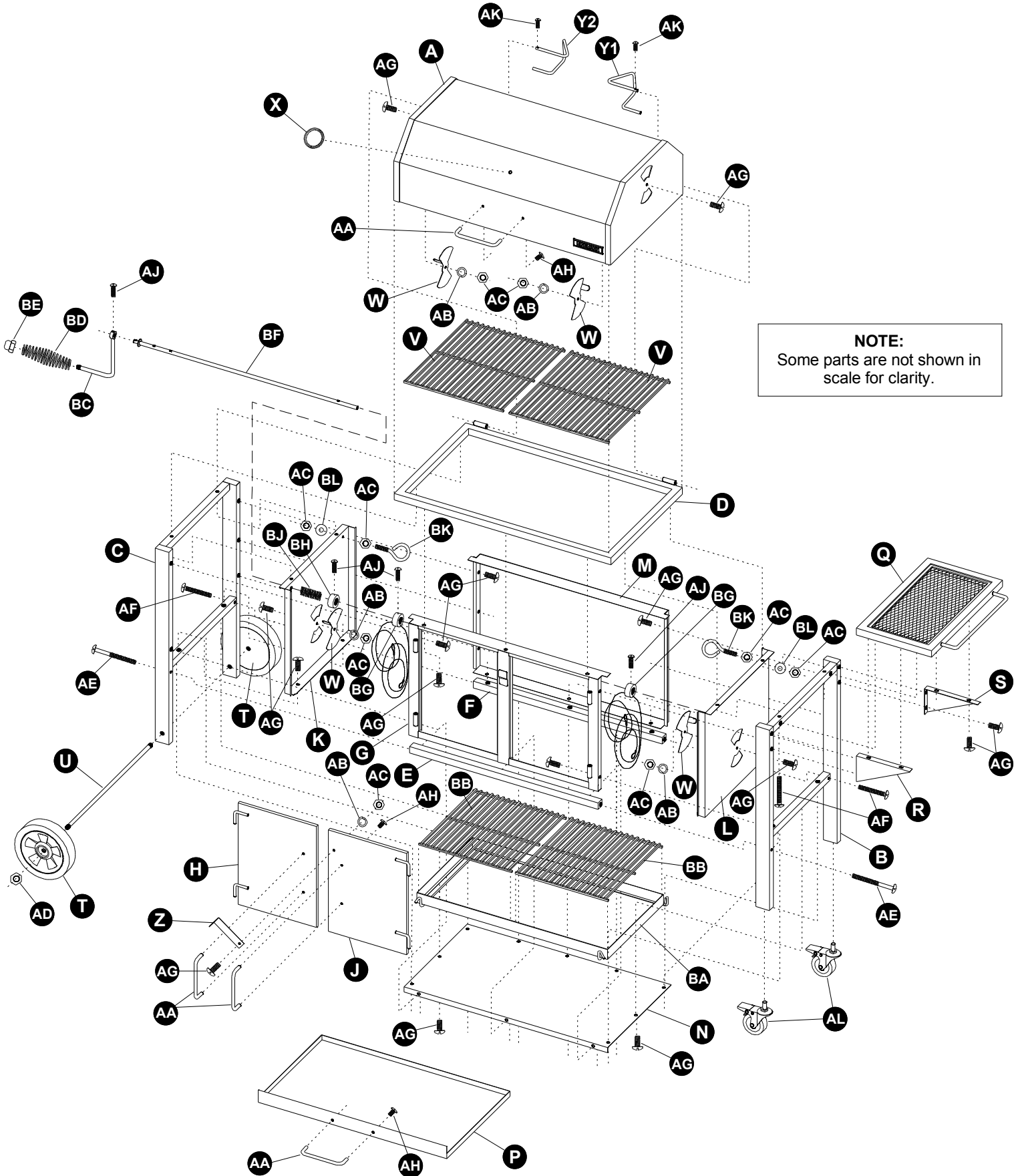
Product repair or replacement as provided under this warranty is your exclusive remedy. Landmann shall not be liable for any incidental or consequential damages or breach of any express or implied warranty on this product or any part thereof, except to the extent prohibited by applicable law. Some states do not allow the exclusion or limitation of incidental or consequential damages, or allow limitation on how long an implied warranty lasts, therefore, the above limitation or exclusion may not apply to you. This warranty gives you specific legal rights, and you may also have other rights, which vary, from state to state.

LANDMANN®

BLACK DOG™ 28 GRILL

MODEL 590131

EXPLODED VIEW OF ALL PARTS



NOTE:
Some parts are not shown in scale for clarity.

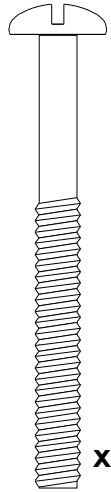
LANDMANN®

BLACK DOG™ 28 GRILL

MODEL 590131

HARDWARE FULL SIZE

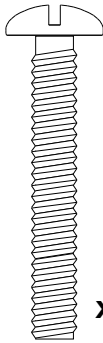
Parts are shown here at full-size.



x 2

AE

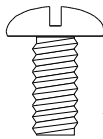
(2) 60MM
BOLT



x 6

AF

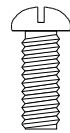
(6) 40MM
BOLT



x 47

AG

(47) 12MM
BOLT



x 4

AJ

(4) 12MM
COLLAR SET
SCREW



x 8

AH

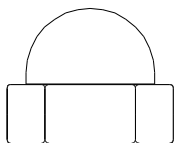
(8) 8MM
BOLT



x 2

AK

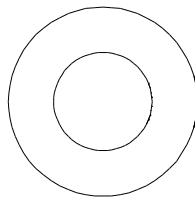
(2) 8MM
LID HINGE SET
SCREW



x 1

BE

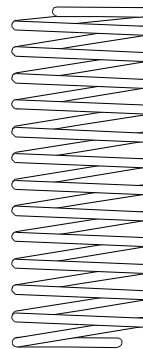
(1) CAP NUT



x 1

BH

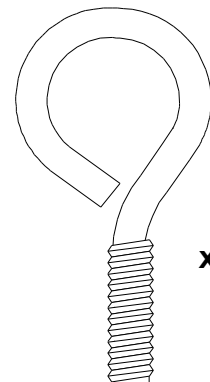
(1) END COLLAR



x 1

BJ

(1) TENSION
SPRING



x 2

BK

(2) EYE BOLT



x 5

AB

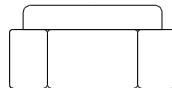
(5) LOCK
WASHER



x 9

AC

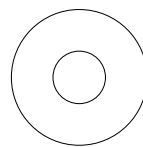
(9) HEXNUT



x 2

AD

(2) WHEEL
AXLE LOCKNUT



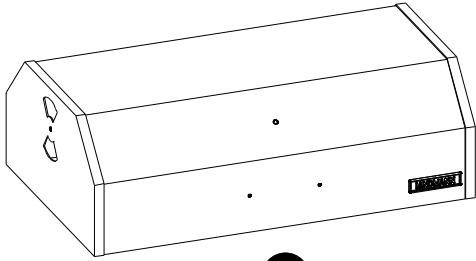
x 2

BL

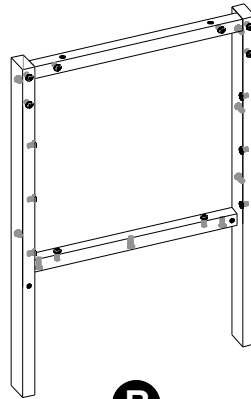
(2) EYE BOLT
WASHER

LANDMANN®
BLACK DOG™ 28 GRILL
MODEL 590131

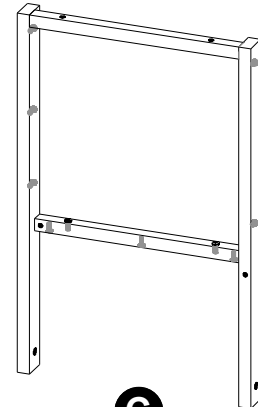
PART LISTINGS



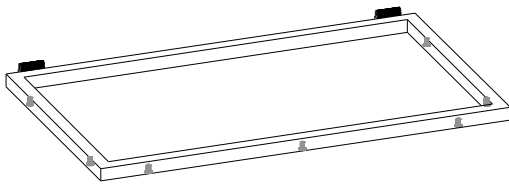
A
(1) GRILL LID



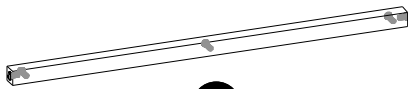
B
(1) CASTER LEG



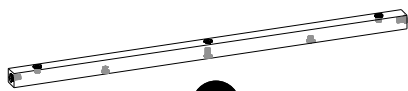
C
(1) WHEEL AXLE LEG



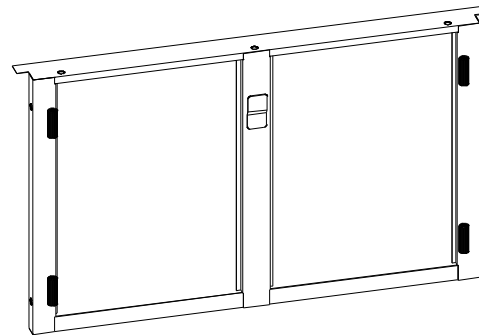
D
(1) MAIN TOP FRAME



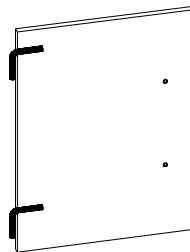
E
(1) FRONT LEG
CONNECTOR



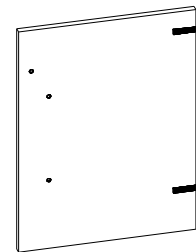
F
(1) BACK LEG
CONNECTOR



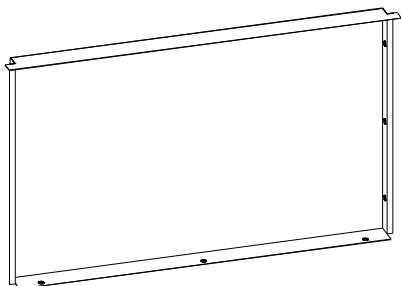
G
(1) DOOR FRAME PANEL



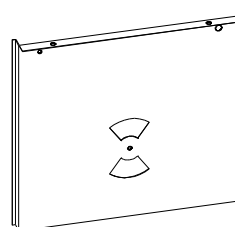
H
(1) LEFT DOOR



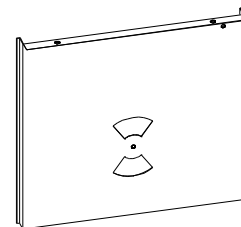
J
(1) RIGHT DOOR



M
(1) BACK FIREBOX
PANEL



K
(1) LEFT FIREBOX
PANEL



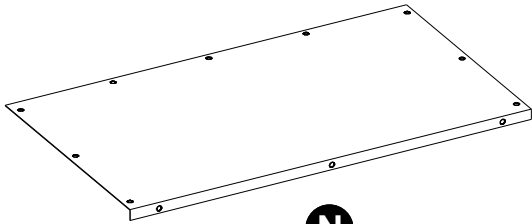
L
(1) RIGHT FIREBOX
PANEL

LANDMANN®

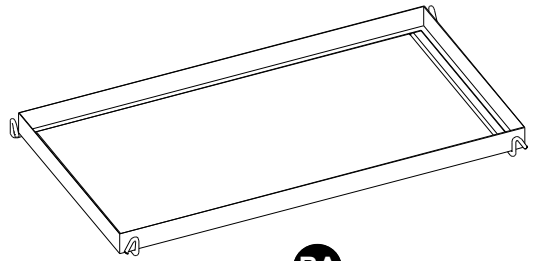
BLACK DOG™ 28 GRILL

MODEL 590131

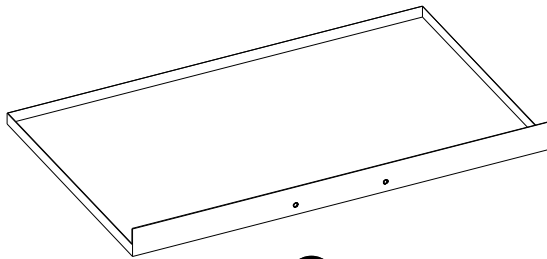
PART LISTINGS



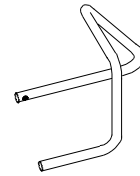
N
(1) BOTTOM PANEL



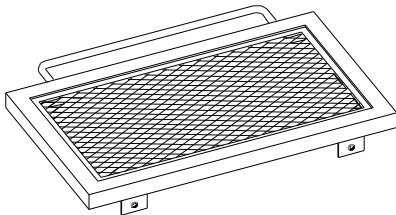
BA
(1) CHARCOAL
GRATE FRAME



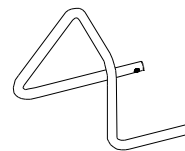
P
(1) ASH TRAY



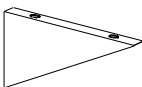
Y1
(1) LEFT LID HINGE



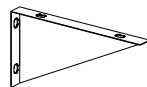
Q
(1) SIDE SHELF



Y2
(1) RIGHT LID HINGE



R
(1) LEFT SIDE SHELF
BRACKET



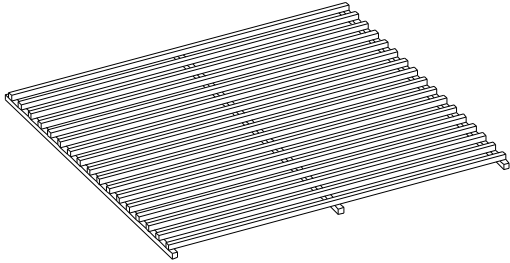
S
(1) RIGHT SIDE SHELF
BRACKET



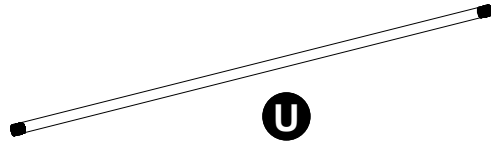
W
(4) AIR VENT

LANDMANN[®]
BLACK DOG™ 28 GRILL
MODEL 590131

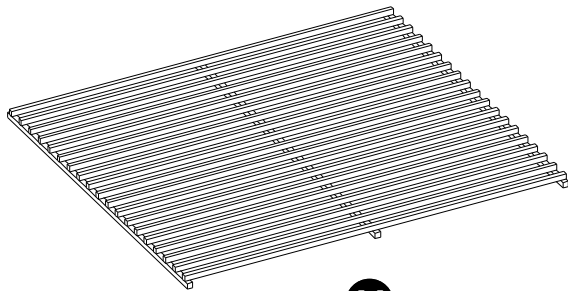
PART LISTINGS



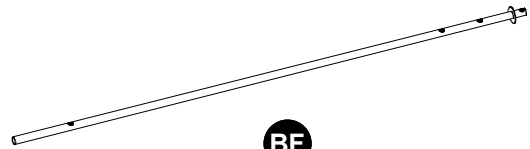
BB
(2) CHARCOAL GRATE



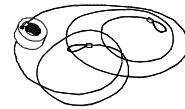
U
(1) WHEEL AXLE



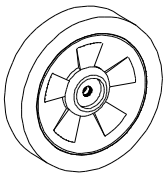
V
(2) COOKING GRATE



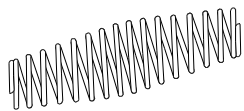
BF
(1) ADJUSTMENT ROD



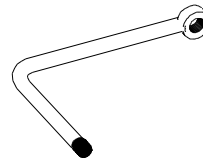
BG
(2) ADJUSTMENT WIRE AND COLLAR



T
(2) WHEEL



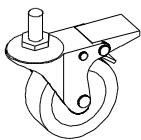
BD
(1) SPRING HANDLE



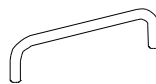
BC
(1) CHARCOAL GRATE ADJUSTMENT HANDLE ROD



X
(1) TEMPERATURE GAUGE



AL
(2) LEG CASTER



AA
(4) HANDLE



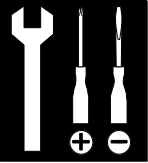
Z
(1) DOOR LATCH

LANDMANN®

BLACK DOG™ 28 GRILL

MODEL 590131

ASSEMBLY INSTRUCTIONS



Additional tools needed to assemble the Black Dog 28 are an adjustable wrench, Phillips screwdriver and a slotted screwdriver.

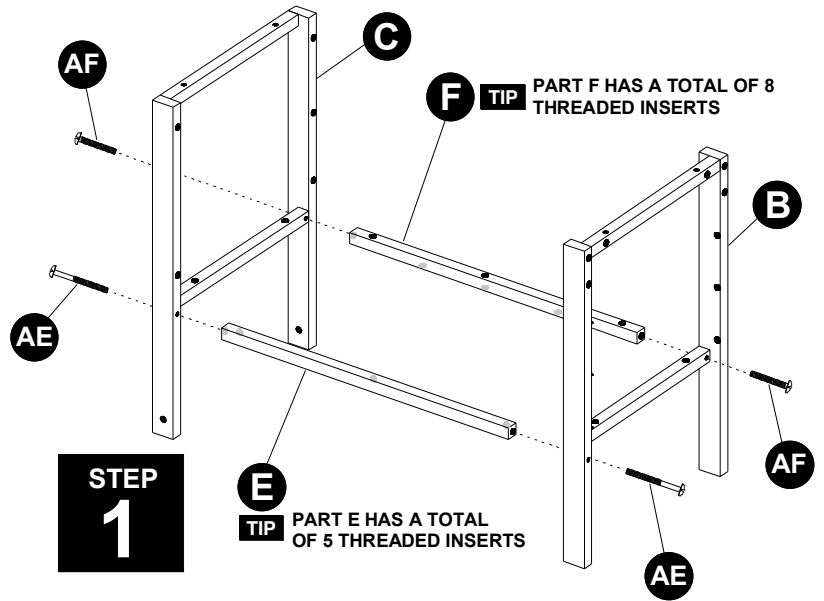
CAUTION! Handle parts with care, some parts are sharp or have sharp edges.

STEP 1: ASSEMBLE THE LEG CONNECTORS TO THE LEGS

Stand leg [B] upright as shown and assemble the back leg connector [F] using (1) 40MM bolt [AF]. Next, assemble the front leg connector [E] to leg [B] using (1) 60MM bolt [AE]. Finger tighten the bolts only at this time.

Assemble leg connector [F] to leg [C] using (1) 40MM bolt [AF]. Assemble leg connector [E] to leg [C] using (1) 60MM bolt [AE].

Hold the leg connectors in the correct orientation and tighten all bolts securely.



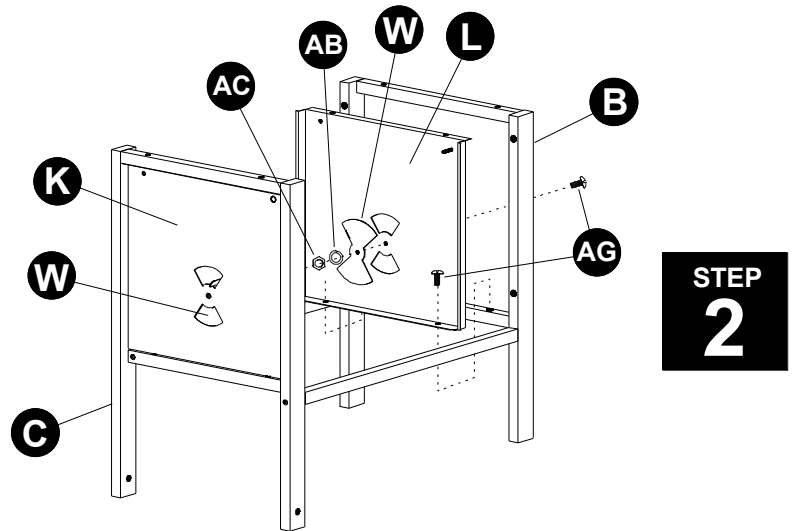
STEP 2: ASSEMBLE FIREBOX PANELS & VENTS

Assemble the right firebox panel [L] to leg [B] using (2) 12MM bolts [AG].

Assemble the left firebox panel [K] to leg [C] using (2) 12MM bolts [AG].

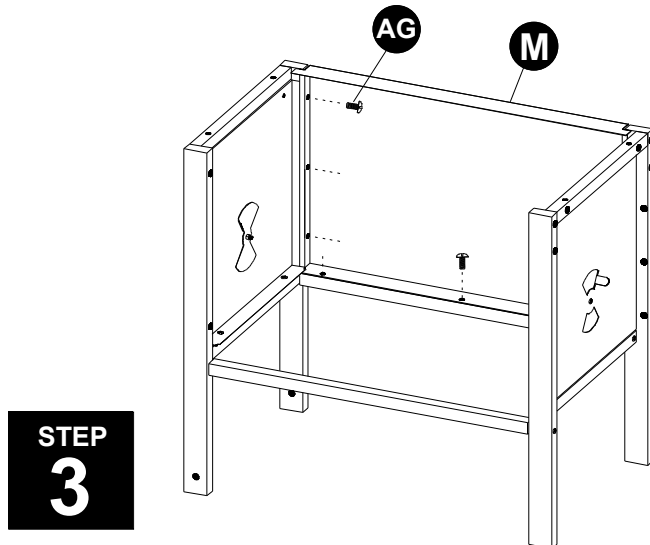
Assemble the air vents [W] to the firebox panels [K, L] using (1) 12MM bolt [AG], lock washer [AB] and hexnut [AC] for each air vent.

Tighten all bolts securely.



STEP 3: ASSEMBLE BACK FIREBOX PANEL

Align back firebox panel with the leg and leg connector threaded inserts. Assemble the back firebox panel [M] to the leg and leg connectors using (9) 12MM bolts [AG]. Tighten all bolts securely.



ASSEMBLY INSTRUCTIONS

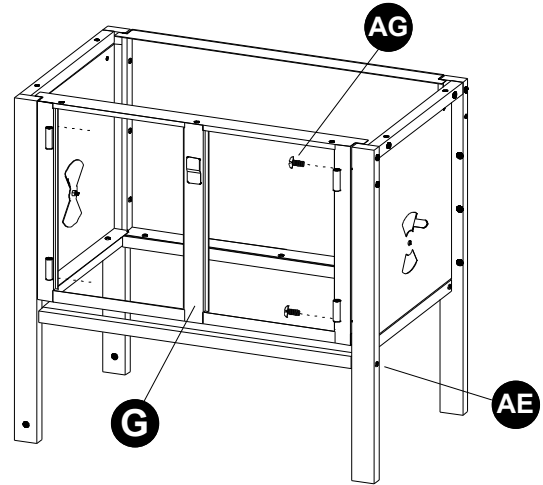
STEP 4: ASSEMBLE DOOR FRAME PANEL

Align the door frame panel [G] with the threaded inserts on the legs. Assemble the door frame panel [G] to the legs using (4) 12MM bolts [AG].

TIP If the door frame panel fits too tightly, loosen the front leg connector bolts [AE] slightly to allow more space to slide in the door frame panel.

Align all panels and tighten all bolts securely.

STEP
4



STEP 5: ASSEMBLE MAIN TOP FRAME

Align the main top frame [D] threaded inserts with the leg and door frame panel holes.

NOTE Start all bolts and finger tighten only before final tightening for this step.

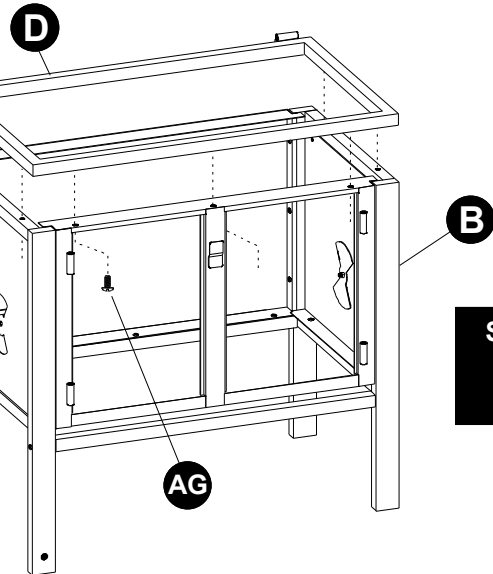
Start by using (4) 40MM bolts [AF] to assemble the main top frame [D] to legs [B,C].

Next, use (3) 12MM bolts [AG] to assemble the main top frame [D] to the door frame panel [G].

Tighten all bolts securely.

AF

C



STEP
5

STEP 6: ASSEMBLE BOTTOM PANEL

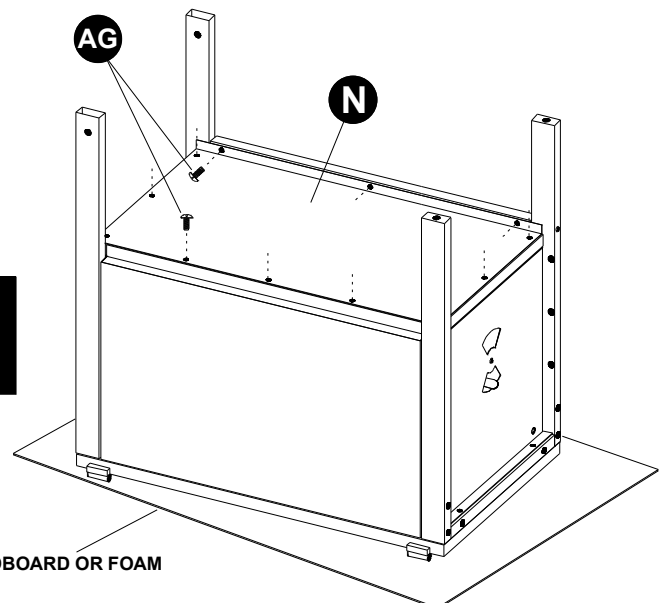
Carefully turn the grill assembly upside down onto a piece of cardboard or foam. Place the bottom panel [N] onto the leg connectors and legs.

NOTE Start all bolts and finger tighten only before final tightening for this step.

Assemble the bottom panel [N] using (12) 12MM bolts [AG].

Tighten all bolts securely.

STEP
6



LANDMANN®

BLACK DOG™ 28 GRILL

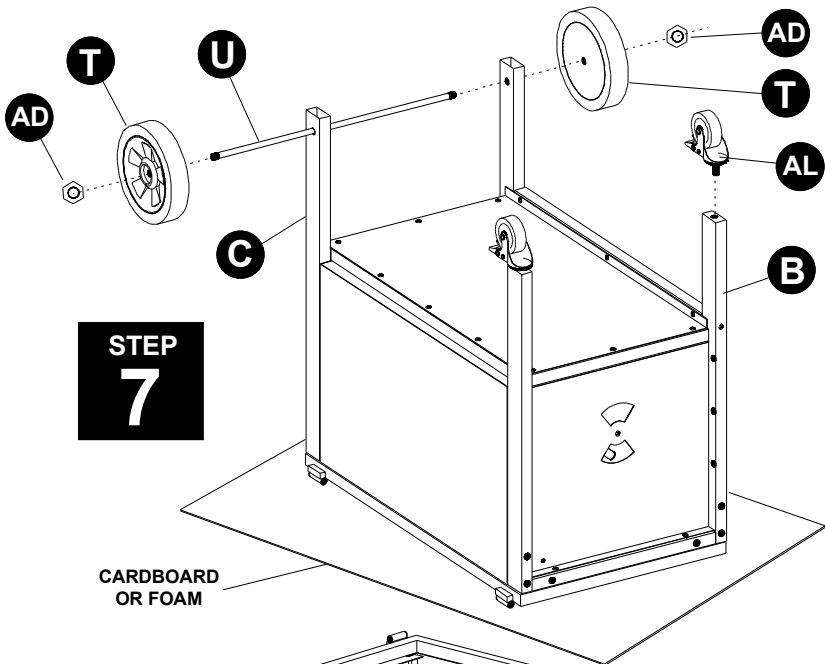
MODEL 590131

ASSEMBLY INSTRUCTIONS

STEP 7: ASSEMBLE WHEEL AXLE & WHEELS

Insert the wheel axle [U] into the holes in leg [C]. Slip the wheels [T] onto the wheel axle [U] as shown and assemble with (1) wheel axle locknut [AD] on each side. Tighten locknut until the threads engage the locking plastic on the locknut.

Assemble the casters [AL] to the leg [B] by aligning the caster threaded posts to the leg threaded inserts. Tighten securely.



STEP 7

STEP 8: ASSEMBLE ADJUSTMENT ROD

Carefully turn the grill assembly over onto its feet.

Insert the adjustment rod [BF] into the left panel [K] about 3/4 of the way through. SEE STEP 8A, 8B.

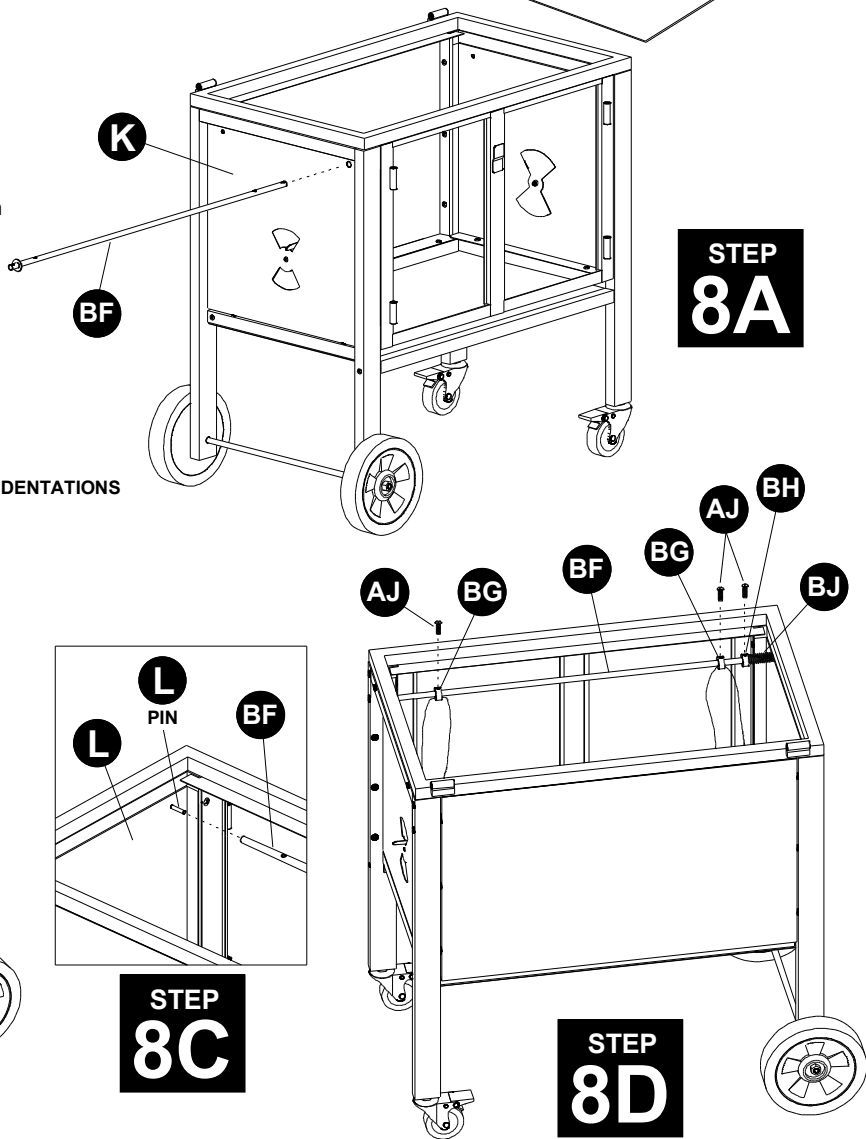
Slide the tension spring [BJ] and collar [BH] onto the adjustment rod [BF]. Then slide the (2) adjustment wire and collars [BG] onto the adjustment rod [BF] as shown in STEP 8B.

IMPORTANT! The tension spring, collar and adjustment wire and collars must be assembled in this order. SEE STEP 8B. The long wires must be on the outside. The short wires must be on the inside.

Insert the adjustment rod [BF] end into the right smoke access panel [L] pin. SEE STEP 8C.

Align the collar [BH] to the adjustment rod indentation and secure the collar [BH] with (1) 12MM collar set screw [AJ]. SEE STEP 8D.

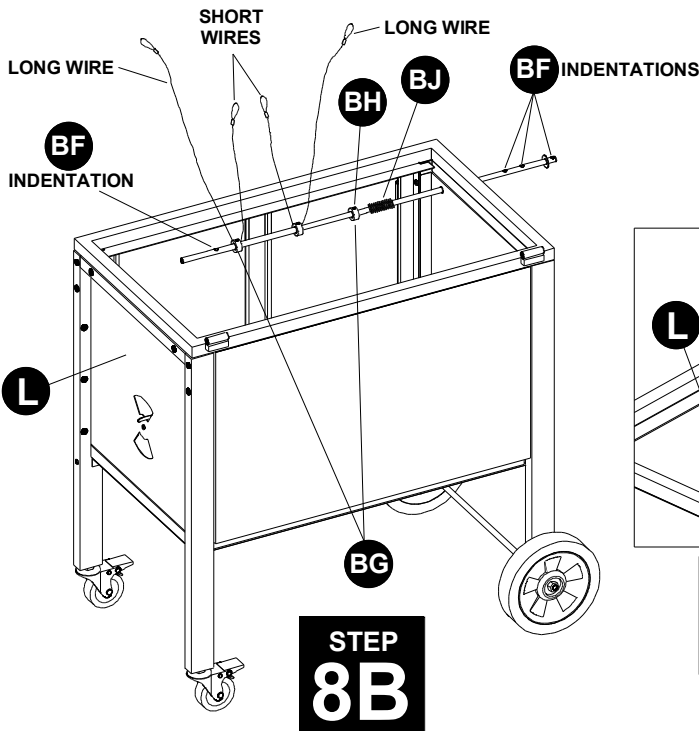
Align the adjustment wire and collars [BG] to the indentions in the rod and secure each with (1) 12MM collar set screw [AJ]. SEE STEP 8D.



STEP 8A

STEP 8C

STEP 8D



STEP 8B

ASSEMBLY INSTRUCTIONS

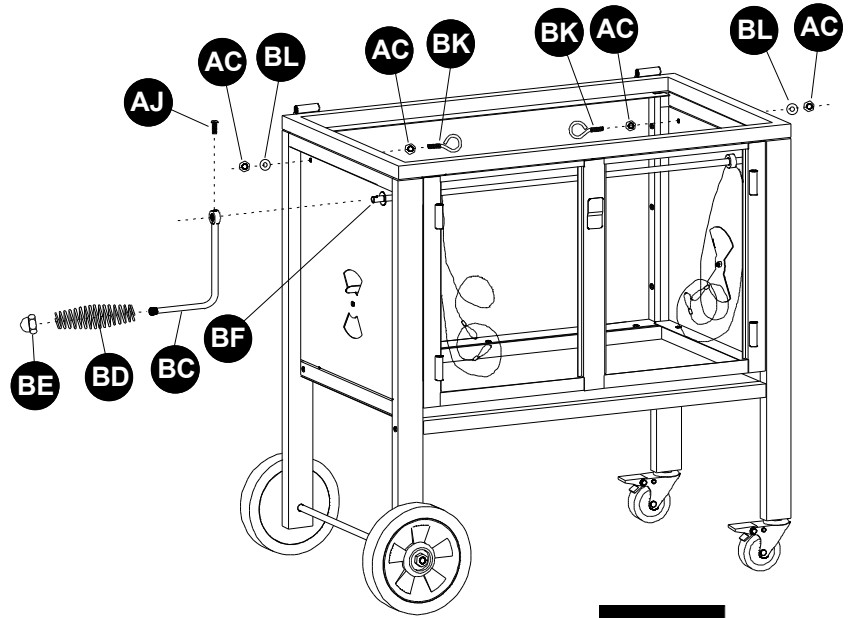
STEP 9: ASSEMBLE CHARCOAL GRATE ADJUSTMENT HANDLE & WIRE EYE BOLTS

Pull the adjustment rod [BF] out to gain access and hold. Slide the charcoal grate adjustment handle rod [BC] onto the end and align it with the indentation in the rod. Assemble using (1) 12MM collar set screw [AJ].

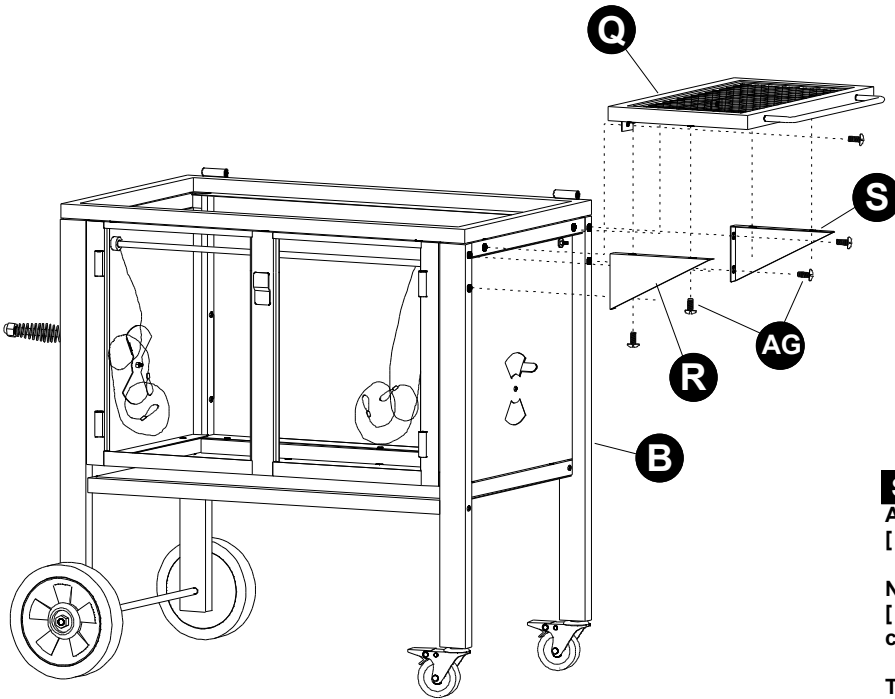
Slide the spring handle [BD] onto the charcoal grate adjustment handle rod [BC] and secure with cap nut [BE].

Assemble the (2) eye bolts [BK] to the firebox panels [K,L]. First, thread (1) hexnut [AC] onto each eye bolt and spin the hexnut until it tightens (no more threads). Next, insert the eye bolt into the firebox panel and assemble with (1) washer [BL] and hexnut [AC].

Tighten all screws and hexnuts securely.



STEP 9



STEP 10: ASSEMBLE SIDE SHELF

Assemble the shelf brackets [R, S] to the side shelf [Q] using (2) 12MM bolts [AG] for each bracket.

Next, assemble the side shelf with brackets to the leg [B] using (6) 12MM bolts [AG]. SEE INSET A for completed assembly.

Tighten all bolts securely.

STEP 10



INSET A

LANDMANN®

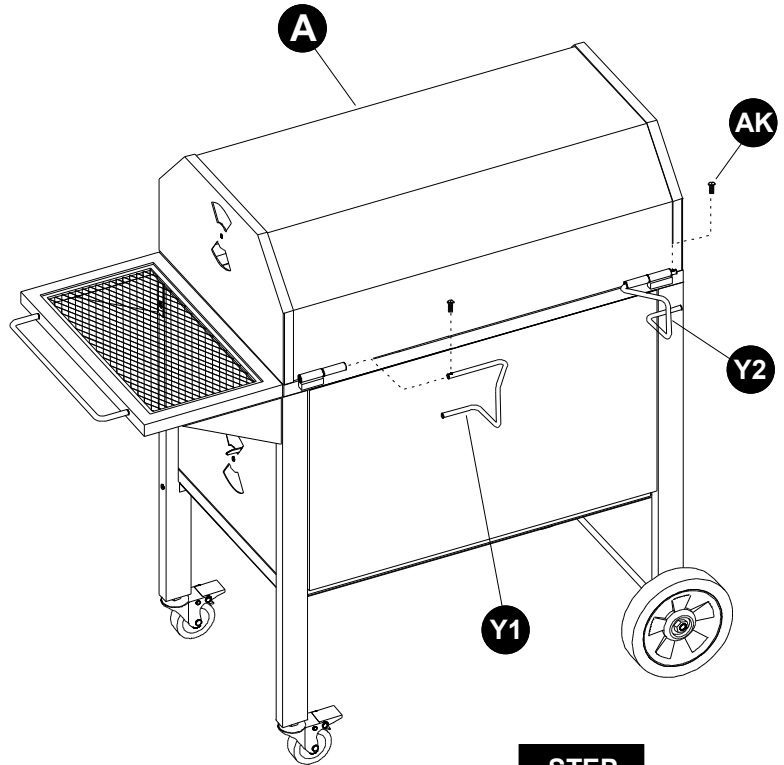
BLACK DOG™ 28 GRILL

MODEL 590131

ASSEMBLY INSTRUCTIONS

STEP 11: ASSEMBLE LID TO MAIN FRAME

Carefully place the grill lid [A] on top of the main top frame and align the tubes on the backside. Insert the lid hinges [Y1, Y2] in the tubes as shown. Secure each lid hinge with (1) 8MM lid hinge set screw [AK].



STEP 11

STEP 12: ASSEMBLE LID HANDLES, VENTS & TEMPERATURE GAUGE

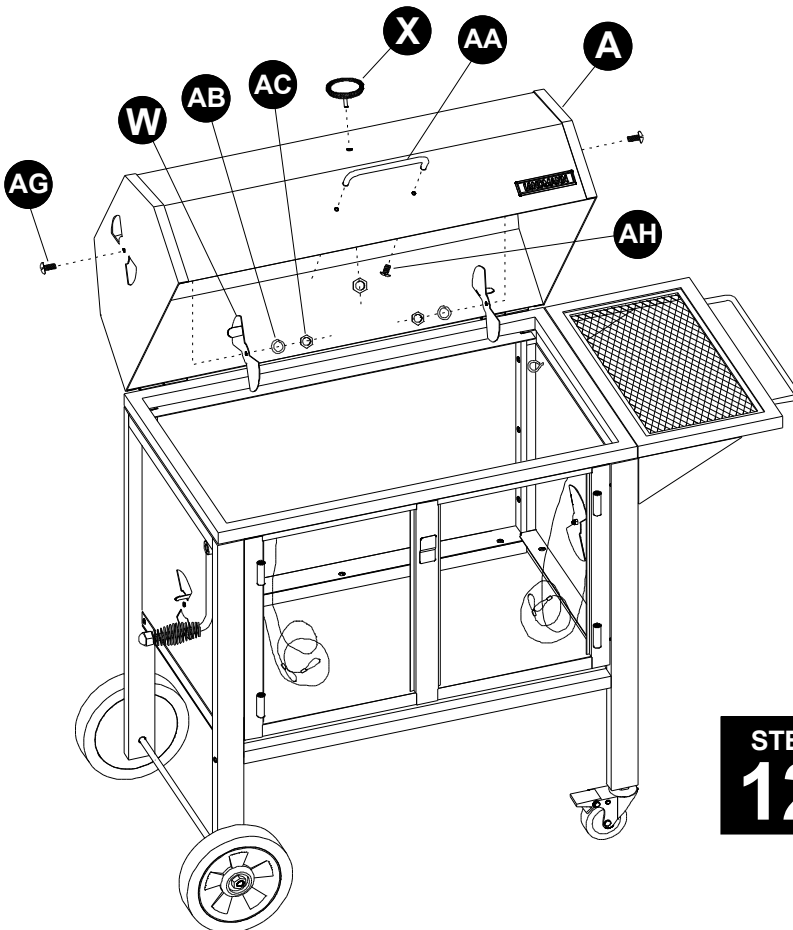
Assemble the handle [AA] to the grill lid [A] using (2) 8MM bolts [AH].

Check temperature gauge for accuracy by comparing the reading to the current air temperature. If the needle is not displaying the correct temperature, use a slotted screwdriver to turn the probe end to adjust the needle to the current air temperature. SEE INSET B.

CAUTION! Do not turn the probe more than is needed or the calibration will be damaged!

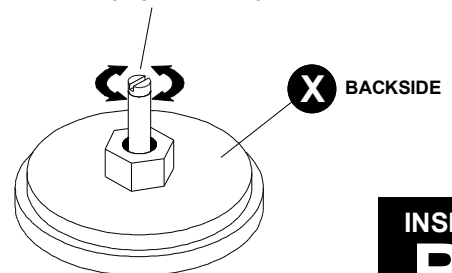
Remove hexnut from the temperature gauge [X] probe and assemble to the grill lid [A] with the hexnut. Tighten securely.

Assemble the air vents [W] to the grill lid [A] sides using (1) 12MM bolt [AG], lock washer [AB] and hexnut [AC] for each air vent.



STEP 12

TO ADJUST THE TEMPERATURE NEEDLE, USE A SLOTTED SCREWDRIVER TO TURN THE PROBE



INSET B

ASSEMBLY INSTRUCTIONS

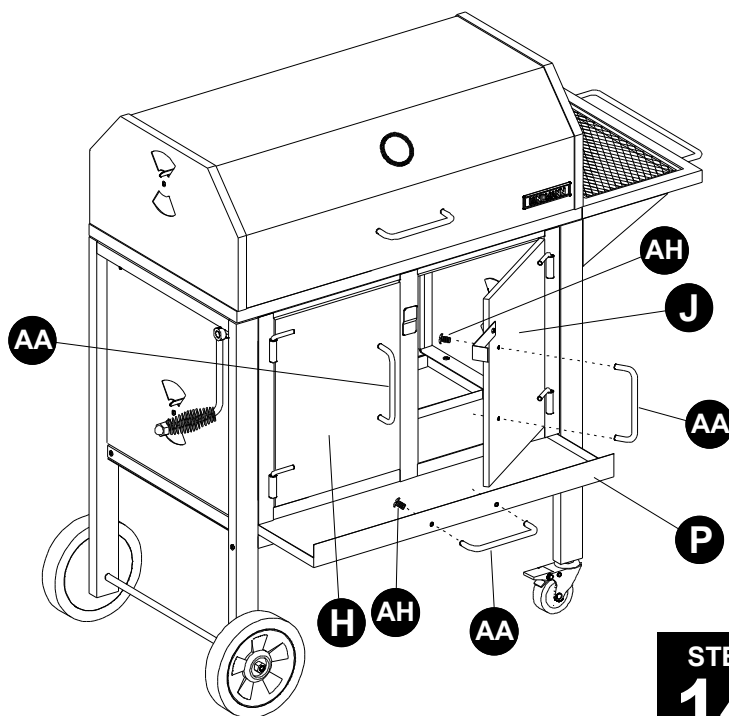
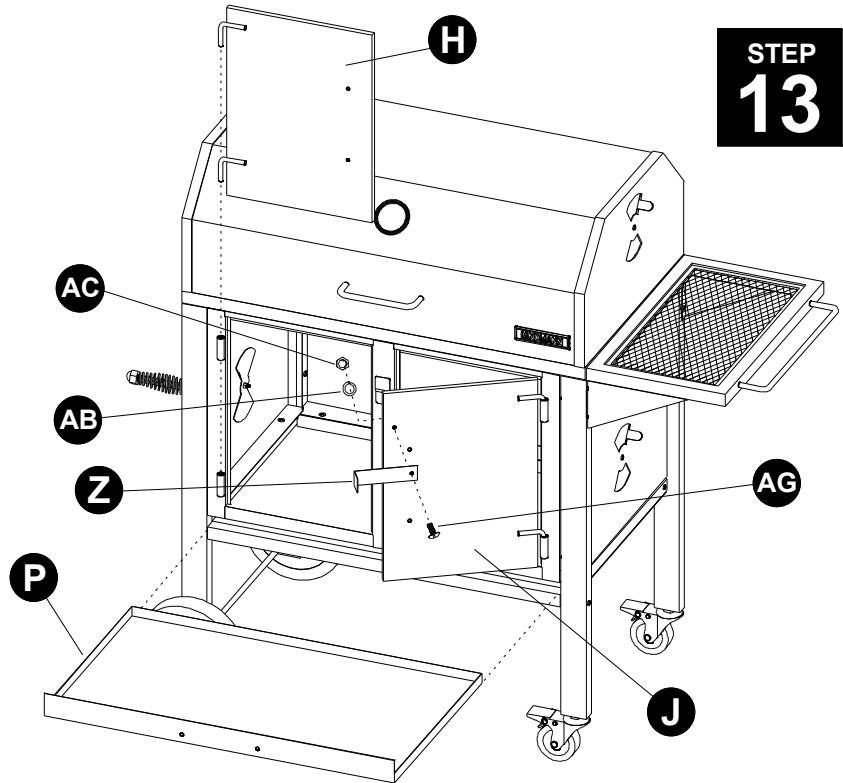
STEP 13

STEP 13: ASSEMBLE DOORS, ASH TRAY & DOOR LATCH

Assemble the doors [J, H] into the door frame panel tubes.

Assemble the door latch [Z] to door [J] with (1) 12MM bolt [AG], lock washer [AB] and hexnut [AC]. Tighten bolt securely.

Slide the ash tray [P] into the cavity about 3/4 of the way.



STEP 14: ASSEMBLE DOOR AND ASH TRAY HANDLES

Assemble the handles [AA] to doors [H,J] with (2) 8MM bolts [AH] per handle.

Assemble the handle [AA] to the ash tray [P] with (2) 8MM bolts [AH].

Tighten all bolts securely.

STEP 14

LANDMANN®

BLACK DOG™ 28 GRILL

MODEL 590131

ASSEMBLY INSTRUCTIONS

STEP 15: INSERT CHARCOAL GRATE FRAME

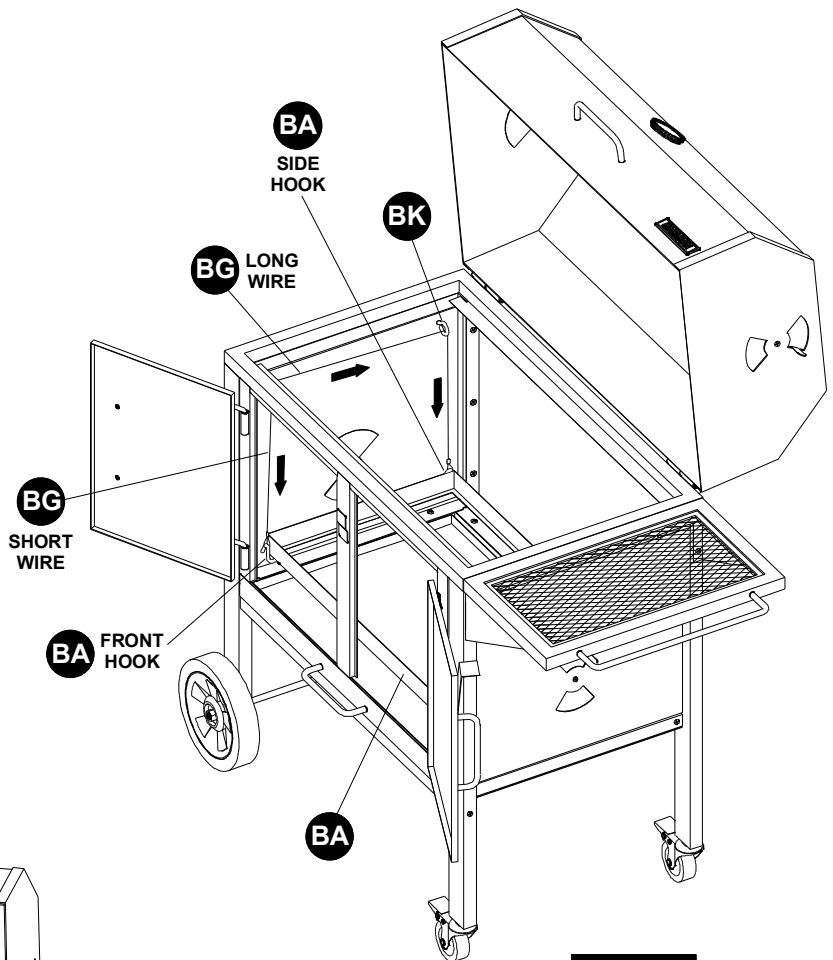
Place the charcoal grate frame [BA] inside the grill making sure the front hooks are at the front.

IMPORTANT! Before starting, make sure neither wire is wrapped around the adjustment rod.

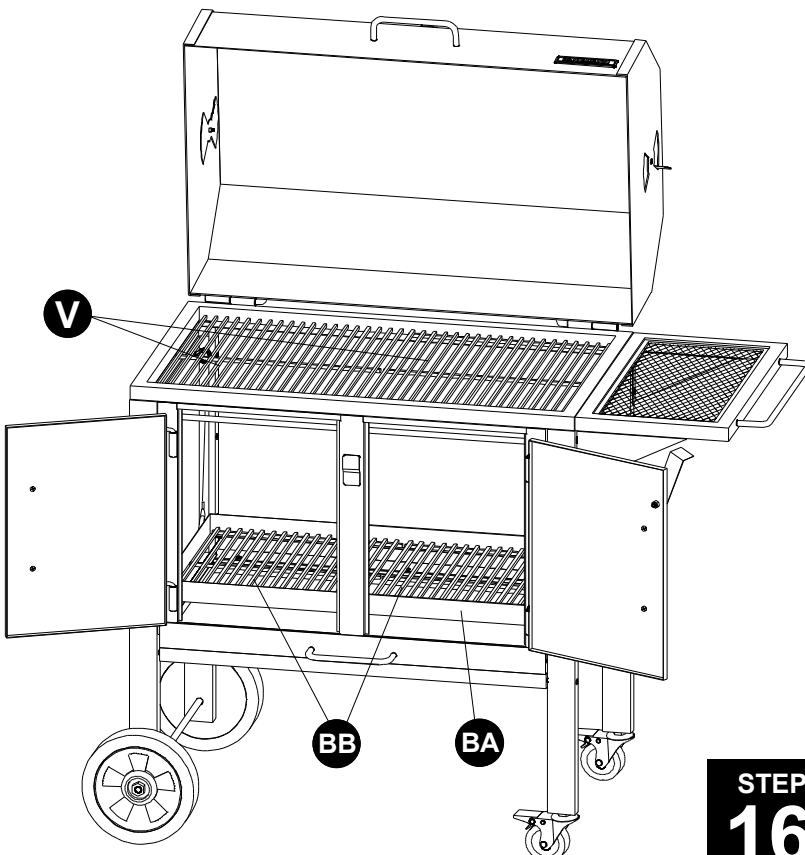
Unwind the long wire [BG] and pull it through the eyebolt [BK], continue pulling the wire to the side hook on the charcoal grate frame [BA]. Hook the wire loop to the side hook.

Unwind the short wire [BG] and pull it to the front hook on the charcoal grate frame [BA]. Hook the wire loop to the front hook.

Assemble the other side same as above.



STEP
15



STEP 16: INSERT CHARCOAL & COOKING GRATES

Place the (2) charcoal grates [BB] onto the charcoal grate frame [BA] as shown in STEP 16.

Place the (2) cooking grates [V] on the grill as shown in STEP 16.

The Black Dog 28 Grill is now assembled.

STEP
16

LANDMANN®

BLACK DOG™ 28 GRILL

MODEL 590131

⚠ IMPORTANT! CURE PROCESS

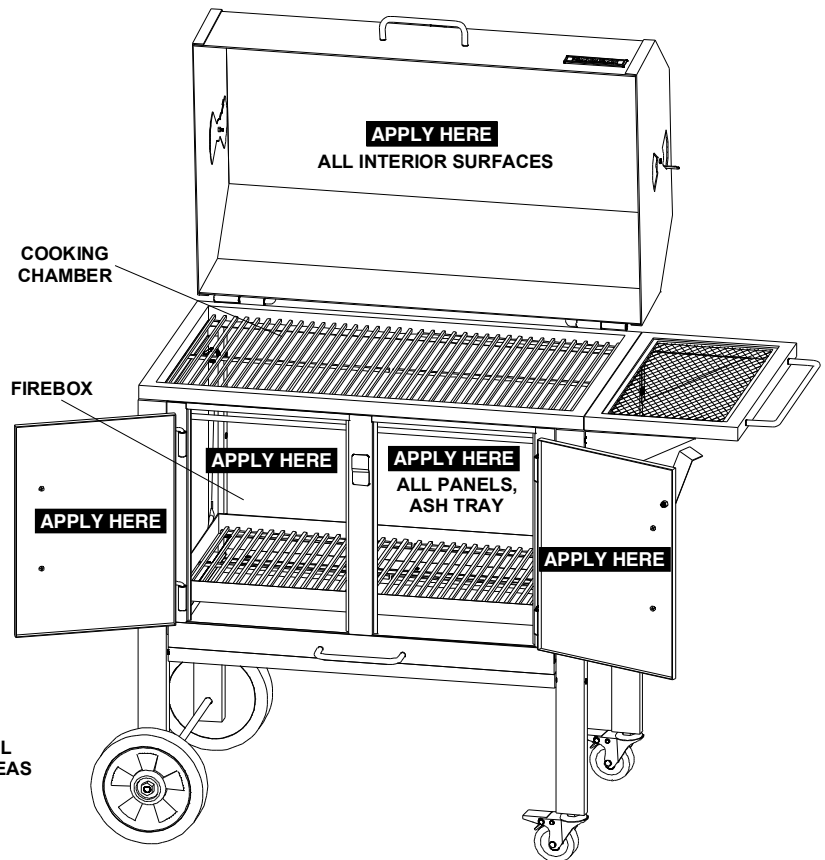
Prior to the first use, follow these 3 steps to cure the finish as well as rid the grill of paint odor.

STEP 1: Close the air vents and lightly coat ALL INTERIOR surfaces of the firebox, ash tray, cooking chamber and lid with vegetable oil or vegetable oil spray.

STEP 2: Start the first fire with 3-6 lbs of charcoal in the firebox. Adjust the vent dampers to 1/2 open.

STEP 3: Maintain the fire for 1 hour, try to keep the temperature around 300 degrees. After 1 hour, allow the grill to cool completely. Note: It is important not to scrape or rub any surface during the curing process.

The grill is ready to be used after the cure process has been completed.



APPLY HERE
APPLY VEGETABLE OIL
TO THESE INTERIOR AREAS

OPERATING INSTRUCTIONS

Please read all steps *before* cooking.

⚠ CAUTION!!

This grill becomes very hot, including the handles. Use caution working around the grill. Use mittens or oven gloves when opening the lid, doors, ash tray or adjusting the vents during use.

1. Pour the desired amount (3-6 lbs.) of charcoal onto the charcoal grates and light charcoal according to the charcoal manufacturer instructions.
2. Adjust all vents to full open and keep the lid open.
3. After the flames have disappeared from the charcoal, close the lid and front doors, keep all vents full open.
4. After about 10-15 minutes, check the charcoal to see that it has ashed over (turned gray) and the initial starter odors are gone.
5. Adjust the charcoal or spread the charcoal evenly across the charcoal grate if necessary.

OPTIONAL: If preferred, wood chunks can be added to the fire at this time for flavor and smoke. The smoke will be heavy at first and after a short while will burn with less smoke. The temperature will spike when the wood is first added. As a general rule, you will need to add more wood when the temperature drops below 250 degrees. Do not use more than 2 or 3 wood chunks at a time. **DO NOT ALLOW THE WOOD CHUNKS TO TOUCH OR COME IN CONTACT WITH ANY SIDE PANEL.** Keep wood chunks inside the charcoal grate frame.

6. The optimum cooking temperature is 300~350 degrees. The vents may need to be adjusted more open or more closed for the desired temperature. The type charcoal and the climate conditions can affect the grill temperature.
7. Carefully wipe the cooking grate surfaces with vegetable oil to keep the food from sticking.
8. Add meat and food as desired to the cooking grates. Cook food to your personal preference.

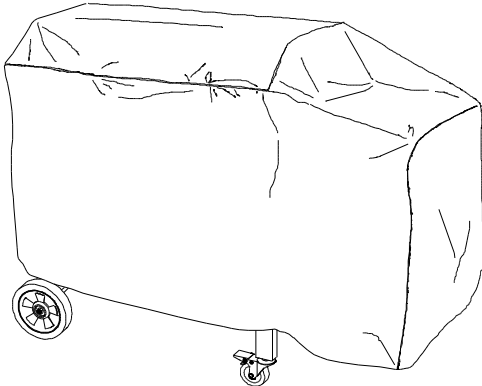
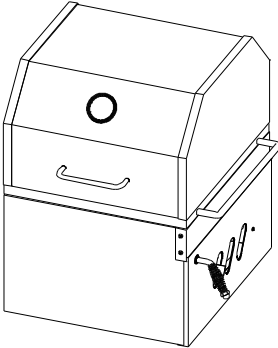


The adjustable charcoal grate can be moved to within a few inches of the cooking grate allowing you to sear the meat and lock in the juices. Searing takes only a few minutes on each side. Don't allow the meat or food to burn. After searing, crank the charcoal grate back down from the top and cook the food to your personal preference.

LANDMANN®

BLACK DOG™ 28 ACCESSORIES

These custom made accessories are made just for the Black Dog 28.
Estas costumbre hizo accesorios son hechos justo para el Perro 28 Oscuro.

BLACK DOG 28 ACCESSORIES PERRO 28 OSCURO ACCESORIOS	COST PRECIO	QTY CANTIDAD	EXTENDED COST PRORROGÓ PRECIO
<p>MODEL 590330 BLACK DOG 28 COVER PERRO 28 OSCURO TAPA</p>  <p>This high quality cover keeps out the elements. Esta tapa de alta calidad no deja pasar los elementos.</p>	<p>\$45.99 EACH CADA</p>	<p>X</p>	<p>=</p>
<p>SHIPPING & HANDLING * ENVÍO Y MANIPULACIÓN For each cover Para cada cubierta</p>	<p>\$15.00 EACH CADA</p>	<p>X</p>	<p>=</p>
<p>MODEL 590136 BLACK DOG OFFSET SMOKER FIREBOX FUMADOR OSCURO DE DESVIACION DE PERRO FOGON</p>  <p>Adds ability to cook food by indirect heat and smoke. Agrega capacidad de cocinar alimento por calor y humo indirectos.</p>	<p>\$179.99 EACH CADA</p>	<p>X</p>	<p>=</p>
<p>SHIPPING & HANDLING * ENVÍO Y MANIPULACIÓN For each cover Para cada cubierta</p>	<p>\$55.00 EACH CADA</p>	<p>X</p>	<p>=</p>

TOTAL COST ----->

Must include shipping & handling for each item bought.
Hay que incluyen cargos de envio para cada articulo comprado.

NOTE: THESE COSTS ARE GOOD THRU DECEMBER 31, 2010

*** Ships UPS ground in lower continental 48 states, excludes Hawaii, Alaska, US Virgin Islands and Puerto Rico. Please call for shipping quote into these excluded areas. NO COD's.**

VER. 1, 10/14/09

To Order:

FOR FAX OR MAIL ORDERS:

1. Determine the quantity needed for each accessory.
2. Multiply to get the extended cost.
3. Add shipping cost for each item.
4. Add all extended costs to get the total cost.
5. Fill in billing address.
6. Fill in shipping address if needed.
7. Make a photocopy of this form for your records.
8. Mail or fax the completed form to:

Landmann USA
Attn: Accessories Dept.
101 Old Mill Rd
Building 300
Cartersville, GA 30120

FAX: 770-606-8112

-OR-

FOR CALL IN ORDERS:
Call customer service toll free at: 1-800-321-3473

-OR-

VISIT OUR ONLINE STORE:
www.landmann-usa.com

Billing Address

(Matches credit or debit card information)

Name _____

Street Address _____

City _____

State _____ Zip _____

Daytime Telephone _____

Email _____

Shipping Address

(If different than billing address)

Name _____

Street Address _____

City _____

State _____ Zip _____

Daytime Telephone _____

Payment

(Credit and debit cards accepted only)

CHARGE: VISA MasterCard American Express DISCOVER

CARD NUMBER:

EXPIRATION DATE: _____

SECURITY CODE: _____

LANDMANN[®]
BLACK DOG™ 28 GRILL
MODEL 590131