

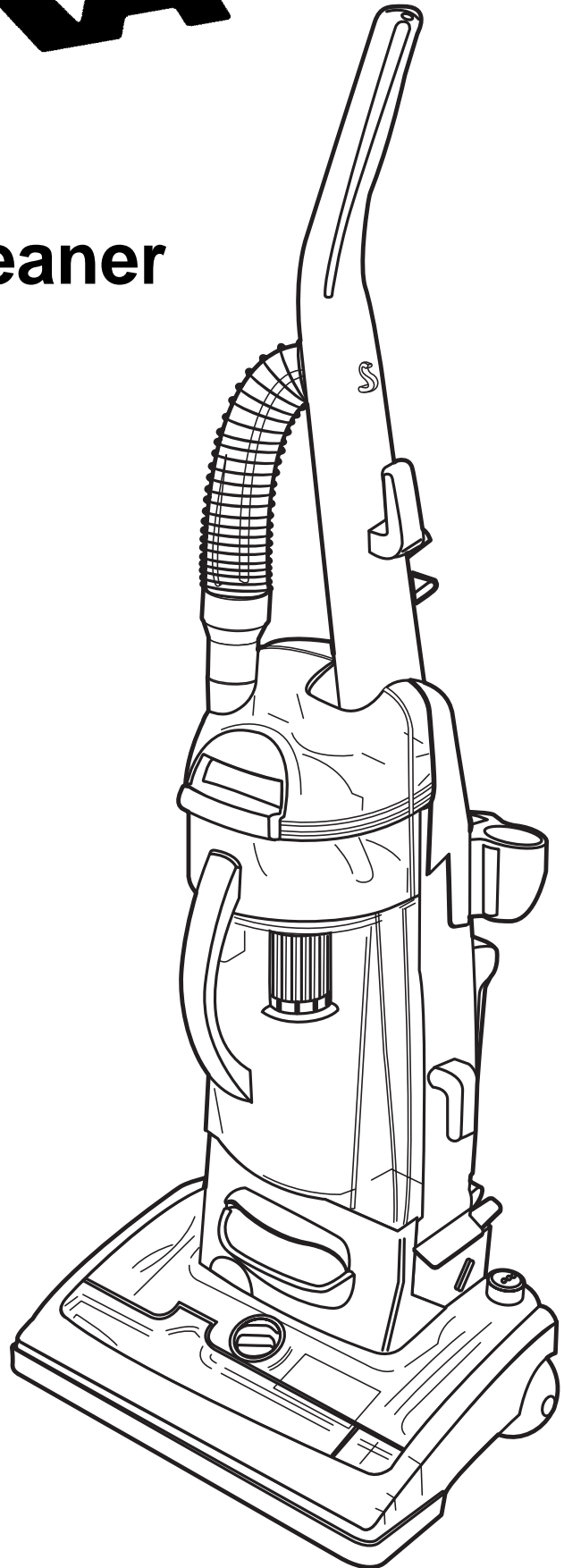
EUREKA

Upright Vacuum Cleaner

Owner's Guide

Household Type

4650 & 4680 Series



Index

Important Safeguards	2
Service Information	4
Assembly	5-6
Thermal Cut Off	4 & 7
Use	7
Accessories	8
Dirt Alert	9
Cyclonic Dust Cup	10-11
Brush Roll	12
Brush Roll Belt	12
Hose Blockage	13
Filters	14
HEPA Filter	14
Light Bulb	15
Problem Solving	17
Warranty	18
Customer Order Form	19

IMPORTANT

Do not return this product to the store.

For assembly problems or questions contact: Eureka's Customer Service Division toll free at 1-800-282-2886*, 7 a.m. to 8 p.m., Central Standard Time, Monday through Saturday.

For replacement of broken or missing items to be shipped direct to you, call 1-800-438-7352*, 8 a.m. to 4:45 p.m., Central Standard Time, Monday through Friday.

*En Mexico llame al 5670-6169

IMPORTANT SAFEGUARDS

When using an electrical appliance, basic precautions should always be followed, including the following:

READ ALL INSTRUCTIONS BEFORE USING THIS VACUUM CLEANER.

WARNING

To reduce the risk of fire, electric shock, or injury:

- Do not use outdoors or on wet surfaces.
- **Do not leave vacuum cleaner when plugged in.** Turn off the switch and unplug the electrical cord when not in use and before servicing.
- Do not allow to be used as a toy. Close attention is necessary when used by or near children.
- Use only as described in this manual. Use only manufacturer's recommended attachments.
- Do not use with damaged cord or plug. If vacuum cleaner is not working as it should, has been dropped, damaged, left outdoors, or dropped into water, return it to a service center before using.
- Do not pull or carry by cord, use cord as a handle, close a door on cord, or pull cord around sharp edges or corners. Do not run vacuum cleaner over cord. Keep cord away from heated surfaces.
- Do not use extension cords or outlets with inadequate current carrying capacity.
- Turn off all controls before unplugging.
- Do not unplug by pulling on cord. To unplug, grasp the plug, not the cord.
- Do not handle plug or vacuum cleaner with wet hands.
- Do not put any object into openings. Do not use with any opening blocked; keep free of dust, lint, hair, and anything that may reduce airflow.
- This vacuum cleaner creates suction and contains a revolving brush roll. Keep hair, loose clothing, fingers, and all parts of body away from openings and moving parts.
- Do not place cleaner on furniture or stairs as the brush roll may cause damage. Place cleaner on floor with the handle in storage position while using attachments.
- Do not pick up anything that is burning or smoking, such as cigarettes, matches, or hot ashes.
- Do not use without cyclonic dust cup or filter(s) in place.
- Belt pulleys can become hot during normal use. To prevent burns, avoid touching the belt pulley when servicing the drive belt.
- Use extra care when cleaning on stairs.
- Do not use to pick up flammable or combustible liquids such as gasoline, or use in areas where they may be present.
- Store your cleaner indoors in a cool, dry area.
- Keep your work area well lighted.
- Unplug electrical appliances before vacuuming them.

SAVE THESE INSTRUCTIONS

CONSEILS DE SÉCURITÉ

Lors de l'utilisation d'un appareil électrique, quelques précautions élémentaires doivent être observées, incluant les suivantes:

LISEZ TOUTES LES INSTRUCTIONS AVANT D'UTILISER VOTRE ASPIRATEUR.

AVERTISSEMENT

Pour réduire le risque de feu, de choc électrique, ou de blessure:

- Ne pas utiliser à l'extérieur ou sur des surfaces mouillées.
- **Fermez le commutateur et débranchez l'appareil lorsque vous ne l'utilisez pas ou avant le nettoyage ou l'entretien.**
- Ne permettez pas qu'il soit utilisé comme jouet. Une attention particulière est nécessaire lorsque utilisé par ou près d'un enfant.
- Suivez les recommandations d'utilisation de ce manuel. Utilisez uniquement les accessoires recommandés par le fabricant.
- Ne pas utiliser si le cordon ou la fiche sont endommagés. Si l'aspirateur ne fonctionne pas comme il le devrait, s'il a été échappé, s'il est endommagé, s'il a été laissé à l'extérieur ou échappé dans l'eau, retournez-le à un centre de service avant d'utiliser.
- Ne pas le tirer ou le transporter par le cordon, ne pas utiliser le cordon en guise de poignée. Ne pas fermer une porte sur le cordon ou tirer le cordon sur des coins ou bordures pointus. Ne pas circuler sur le cordon avec l'aspirateur. Tenir le cordon à distance des surfaces chauffantes.
- Ne pas utiliser des rallonges ou des prises qui n'ont pas de capacité suffisante pour transporter le courant.
- Fermer tous les contrôles avant de débrancher.
- Ne pas débrancher en tirant sur le cordon. Pour débrancher, tenez la fiche et non le cordon.
- Ne pas manipuler la fiche ou l'aspirateur avec les mains mouillées.
- Ne pas rien insérer dans les ouvertures. Ne pas utiliser si des ouvertures sont bloquées; assurez-vous qu'elles soient dégagées de poussière, mousse, cheveux ou toute autre chose qui pourrait réduire le passage de l'air.
- Cet aspirateur crée de la succion et contient un rouleau-brosse tournant. Tenir les parties mobiles et les ouvertures loin des cheveux, du linge, des doigts et de toute partie du corps.
- Ne pas mettre l'aspirateur sur les meubles ou sur les escaliers car le rouleau-brosse peut faire des dommages. Placer l'aspirateur sur le plancher avec le manche en entreposage position temps que les accessoires sont en usage.
- Ne pas ramasser des objets qui brûlent ou fument comme les cigarettes, allumettes ou cendres chaudes.
- N'utilisez pas sans le coupe de poussière de cyclonique ou filtre(s) en place.
- Les poulies du courroie peuvent devenir chaudes pendant l'utilisation normale. Pour prévenir des brûlures, évitez de touché la poulie du courroie lorsque vous réparez la courroie.
- Portez une attention particulière lorsque vous nettoyez les escaliers.
- Ne pas utiliser pour ramasser des liquides inflammables ou combustibles comme de l'essence: Ne pas utiliser dans les endroits où ces liquides pourraient être présents.
- Entreposez votre aspirateur à l'intérieur dans un endroit propre et sec.
- Maintenez un bon éclairage à l'endroit où vous travaillez.
- Débrancher les appareils électrique avant de les balayer.

CONSERVEZ CES INSTRUCTIONS

To reduce the risk of electric shock, this appliance has a polarized plug (one blade wider than the other). This plug will fit in a polarized outlet only one way. If the plug does not fit fully in the outlet, reverse the plug. If it still does not fit, contact a qualified electrician to install the proper outlet. Do not change the plug in any way.

Afin de réduire le risque de choc électrique, cet appareil est muni d'une fiche polarisée (une des lames est plus large). Cette fiche ne peut être insérée dans une prise polarisée que d'une seule façon. Si la fiche ne peut être insérée dans la prise, retourner la fiche. Si la fiche ne peut toujours pas être insérée dans la prise, faire installer une prise adéquate par un électricien qualifié. Ne pas modifier la fiche.

GENERAL INFORMATION

The cleaner is designed to pick up dirt and dust particles. Avoid picking up hard or sharp objects with the cleaner to prevent hose clogs.

Service Information

The instructions in this booklet serve as a guide to routine maintenance. For additional service information telephone our toll free number for the nearest Eureka Authorized Warranty Station. **You should know the model, type and serial numbers when you call:**

USA: 1-800-282-2886
Mexico: 5670-6169
Canada: 1-800-282-2886

If you prefer, you can write to The Eureka Company, Service Division, 807 North Main Street, Bloomington, Illinois 61701, USA. In Canada write to The Eureka Company, 866 Langs Drive, Cambridge, Ontario N3H 2N7. Refer to The Eureka Limited Warranty for complete service information.



DO NOT OIL the motor or the brush roll at any time. The bearings are permanently lubricated and sealed.

Rating Plate

The model, type, and serial numbers are indicated on the rating plate located on the back side of the cleaner. For prompt and complete service information, always refer to these numbers when inquiring about service.

Model & Type _____

Serial No. _____

MODEL	TYPE	SERIAL NO.
VOLTS	AMPS.	HERTZ
SERVICE INFORMATION: 1-800-282-2886		
THE EUREKA COMPANY		
BLOOMINGTON, ILLINOIS 61701		

Thermal Cut Off

This vacuum cleaner has a special thermostat that protects the cleaner in case of motor overheating. If the cleaner suddenly shuts off, push the switch pedal once and unplug the cleaner. Check the cleaner for a possible source of overheating such as a full cyclonic dust cup, a blocked hose or clogged filter. If these conditions are found, fix them and wait at least 30 minutes before attempting to use the cleaner. After the 30 minute period, plug the cleaner back in and turn on the switch. If the cleaner still does not run, then take it to a Eureka Authorized Service Center for repair.

HOW TO ASSEMBLE

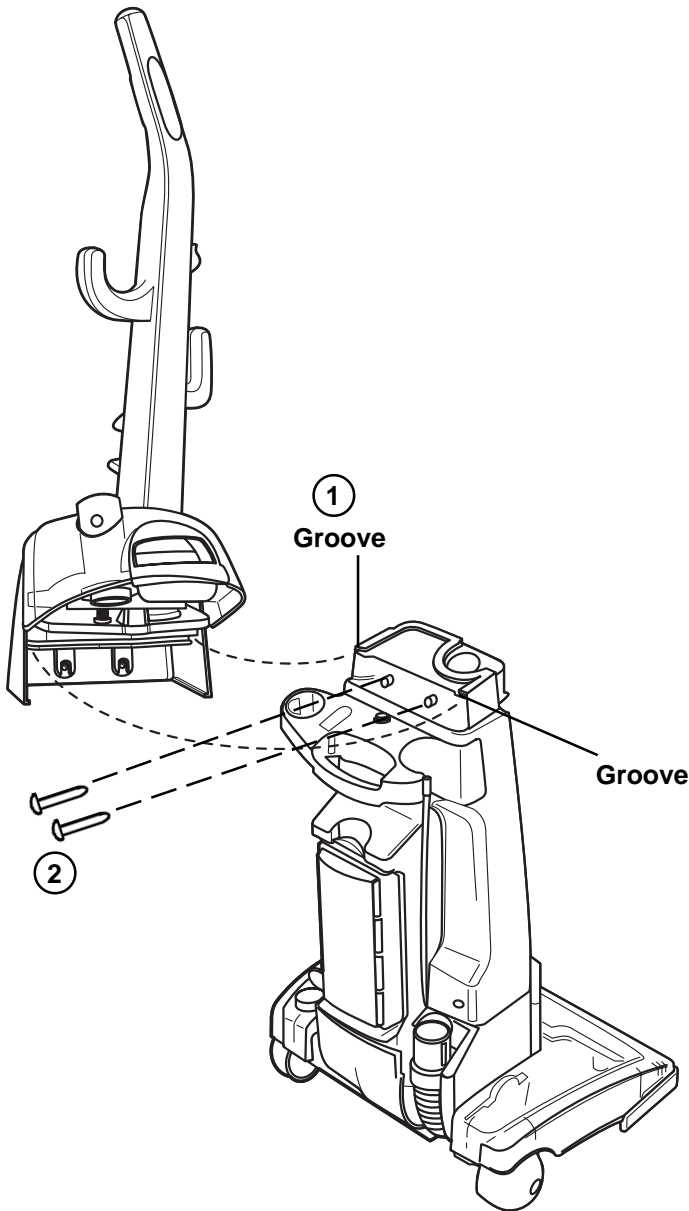
CAUTION: Assemble the cleaner before using.

CAUTION: Moving parts, make sure on/off switch is in off position before plugging in.

NOTE: Features may vary by model yet all parts assemble the same.

Step A Attach Handle

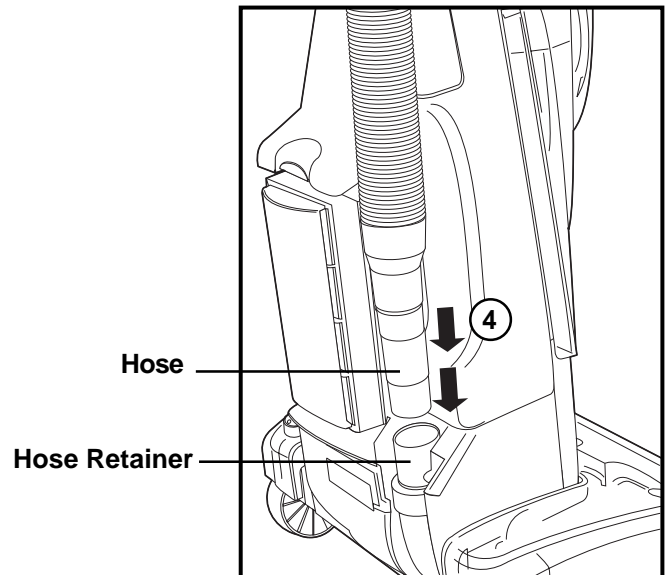
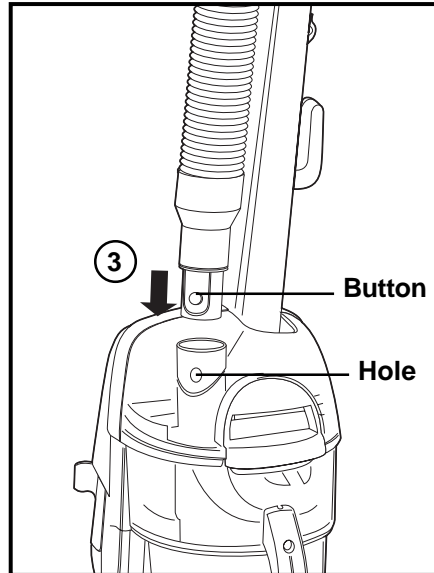
CAUTION: Do not catch cord under handle.



1. From rear of cleaner, align handle with groove and slide onto cleaner. If necessary, use thumb and finger pressure to slide handle into position.
2. Attach handle with two 1 inch screws in the assembly packet. Use either a slotted or Phillips® head screwdriver.

NOTE: Hand tighten with screwdriver to be sure both screws are firmly seated.

Step B Attach Hose

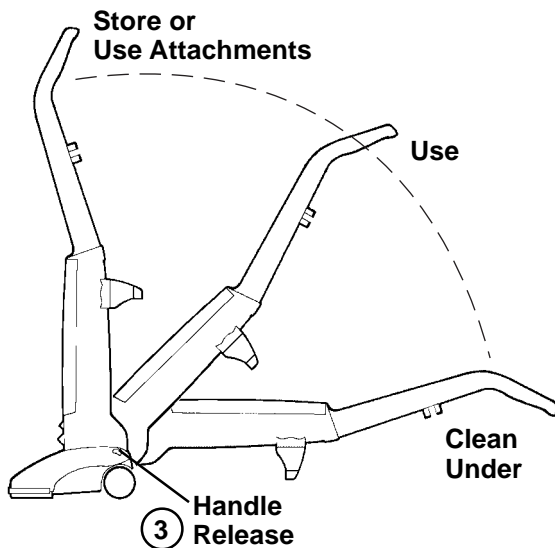


3. From front of cleaner, insert hose adapter into opening on top of unit. Make sure the button on the hose adapter is secure in the hole on the unit.
4. From back of cleaner, insert the other end of the hose into the hose retainer.

HOW TO USE

The upright vacuum cleaner design allows use on multiple types of carpeting and on upholstery or bare floors with attachments. **When using the attachment tools, place the handle in the upright position. Do not place cleaner on furniture or steps as the brush roll may cause damage.**

1. Adjust cleaner height setting knob to lowest position for maximum cleaning. Adjust to a higher setting to make pushing easier. For easy adjustments, tilt the cleaner back to move the knob.
2. Plug electrical cord into outlet.
3. Step on handle release. Pull handle back to a comfortable position.
4. Push On/Off power switch.



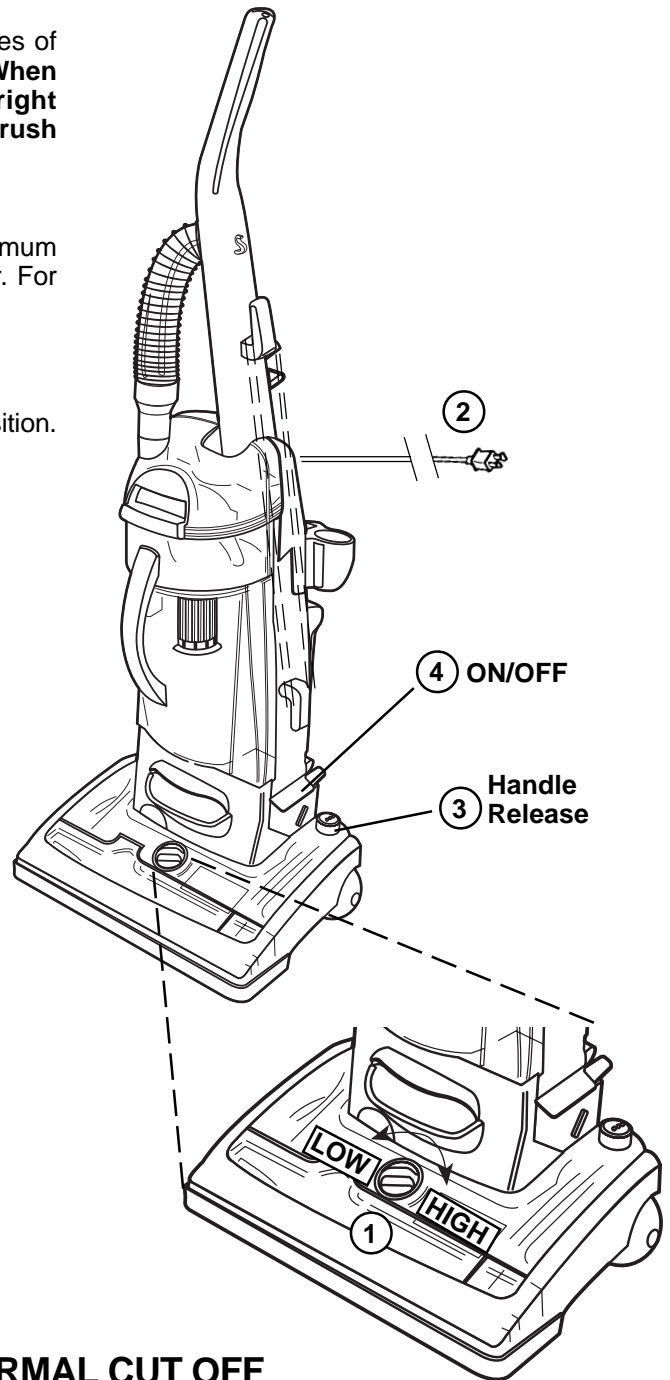
Cleaner Height Setting

WARNING: Avoid injury. Keep loose clothing, hair, fingers, and all other parts of body away from any moving part (such as the revolving brush). Turn off the switch and unplug the cleaner before changing the cleaner height setting.

The front of the cleaner has an adjustment that raises or lowers the cleaner base to match the type of carpet. With the cleaner cord unplugged, set the adjustment to lowest setting for maximum cleaning. If the cleaner is difficult to push, move adjustment to next highest setting until cleaner is comfortable to push. The brush roll must reach the carpet for effective cleaning.

NOTE: For ease in moving the adjustment knob, place handle in operating position and tilt cleaner back to remove weight from front wheels.

NOTE: When handle is in upright position, brush roll is lifted off carpet. This is normal. Height adjustment will not change brush roll level until the cleaner's handle is moved into the operating position.



THERMAL CUT OFF

This cleaner has a special thermostat that protects the cleaner in case of motor overheating. If the cleaner suddenly turns off, follow this procedure:

1. Push on/off pedal once.
2. Unplug cleaner.
3. Check for source of overheating problem (i.e. full cyclonic dust cup, clogged hose or clogged filter).
4. If a full cyclonic dust cup, clogged hose or clogged filter is found, empty the cyclonic dust cup, unplug the hose or replace the filters.
5. Wait at least 30 minutes before attempting to reuse the cleaner.
6. After 30 minute cool down period, plug the cleaner in and push the switch pedal. The cleaner should turn on.
7. If the cleaner still does not operate, take it to any Eureka Authorized Service Center for repair.

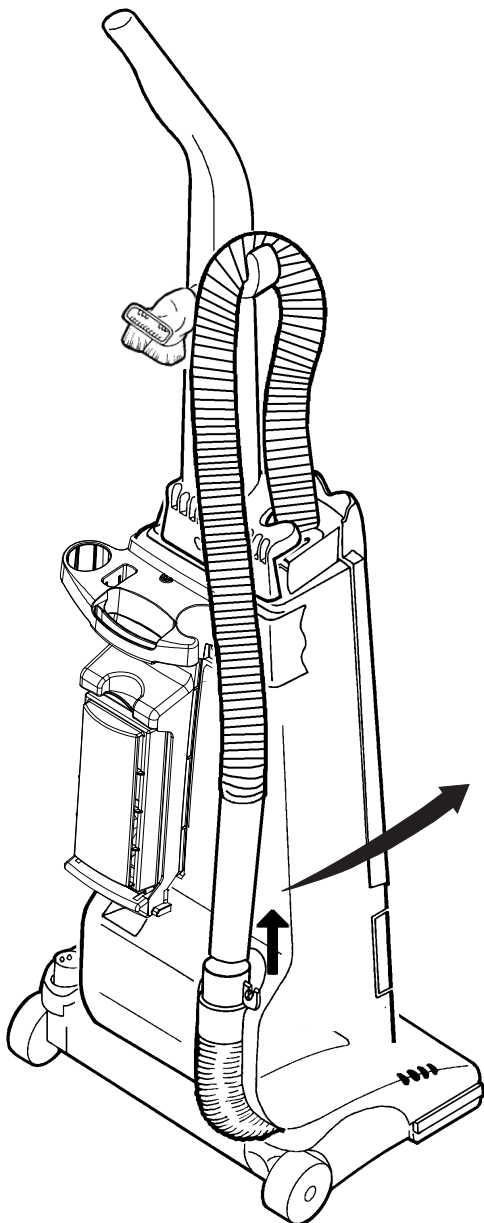
How To Use Accessories

NOTE: Do not place cleaner on furniture or steps as the brush roll may cause damage. Place cleaner on floor with the handle in storage position while using accessories.

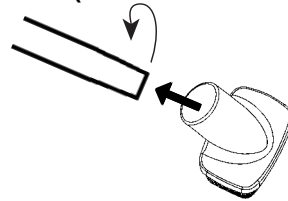
Depending on which cleaner you purchased, you can have any combination of the following accessories.

1. Remove hose from rear of cleaner.
2. Place desired accessory onto end of hose or wand.

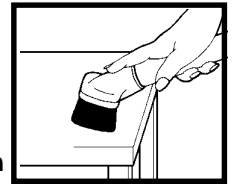
⚠ Always work with the cleaner below you, pulling hose from side of cleaner; *not* the back or the front of the cleaner.



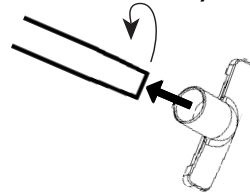
Dusting Brush is for furniture, blinds, books, lamp shades, shelves. (On some models.)



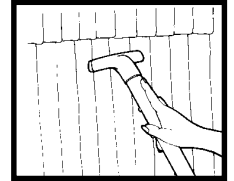
Dusting Brush



Upholstery nozzle is for curtains, draperies, cushions, fabrics. (On some models.)

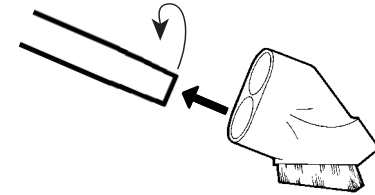


Upholstery Nozzle

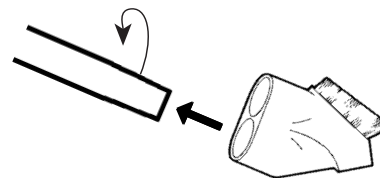
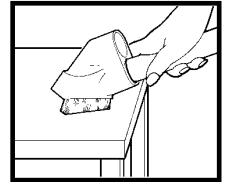


Combination tool gives two types of cleaning tools. (On some models.)

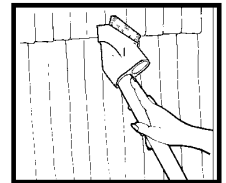
- Use brush side to dust furniture, blinds, books, lamps, shelves.
- Use upholstery side for curtains, draperies, cushions, fabrics.



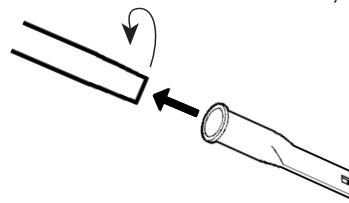
Dusting Side



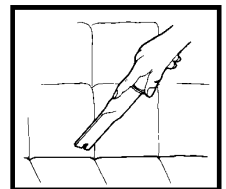
Upholstery Side



Crevice tool cleans corners, baseboards, between cushions.

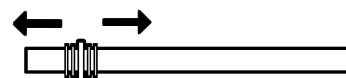


Crevice Tool

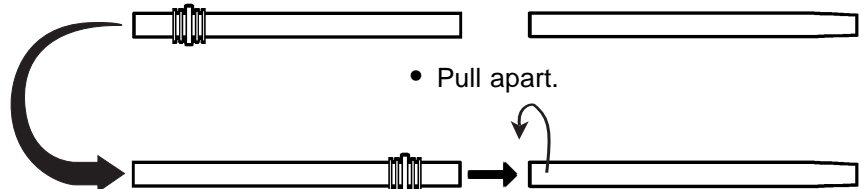


Extension wands (Some models use 1 wand)

Nested extension wands to add reach.



- Grasp both wands near ridges.



- Pull apart.

- Turn ridge end to center.

- Push wands together.

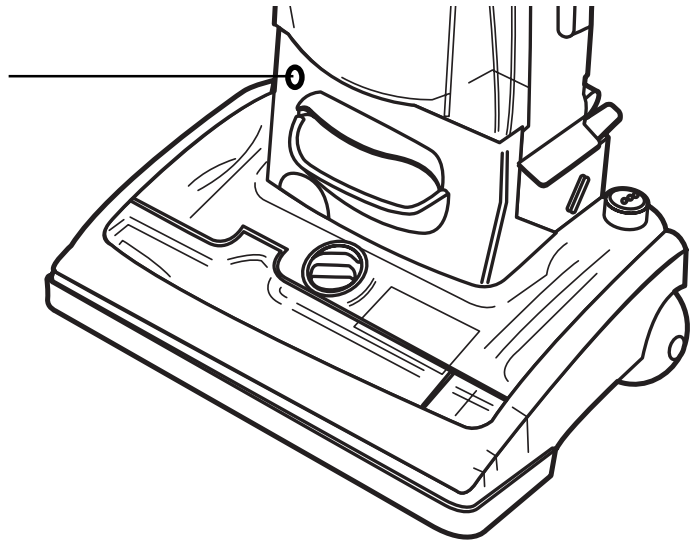
Maintenance of Dirt Alert Feature (On some models)

The dirt alert sensor uses infra-red technology to indicate whether or not floors are clean. When debris breaks the light beam, the red light comes on indicating additional cleaning is needed in this area. If there is no break in the light beam, the floor is clean and no light will come on.

When using your new vacuum you may be cleaning deep down hidden dirt missed by your old vacuum causing the light to stay red longer. With frequent cleaning, after the first few times you use your new Eureka vacuum, the red light should go on less.

NOTE: The dirt alert feature is not intended to be used for above the floor cleaning with attachments.

The **red** light indicates dirt, dust, etc. is still being removed from the area being cleaned.

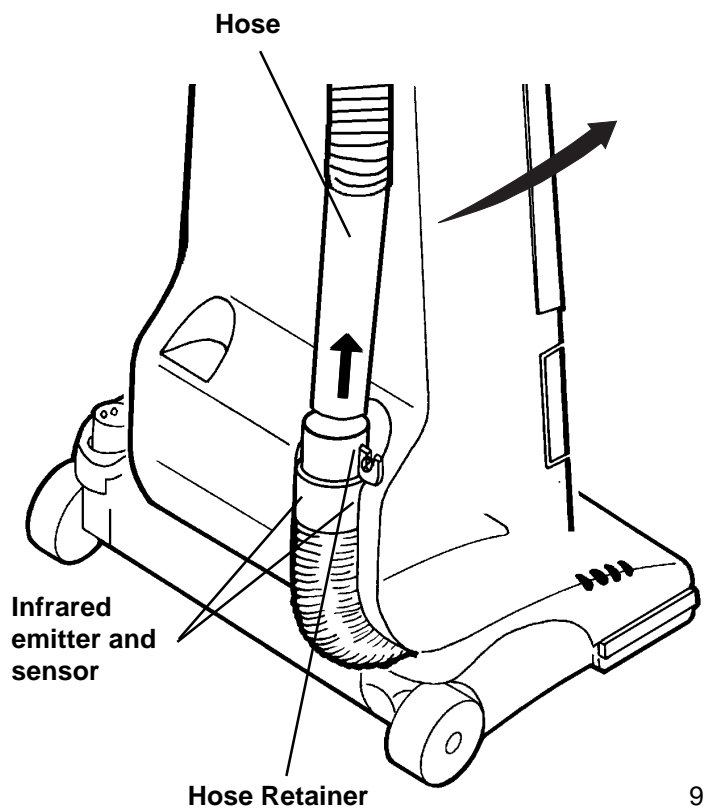


How to Check the Dirt Alert Sensors

To check if dirt sensor is working properly.

1. While the red light is on, tip the vacuum backwards on rear wheels, lifting the brush roll off the carpet a couple of inches.
2. After a few seconds the red light should turn off.

HINT: New carpeting has loose carpet fibers which will trip the red light sensor beam.



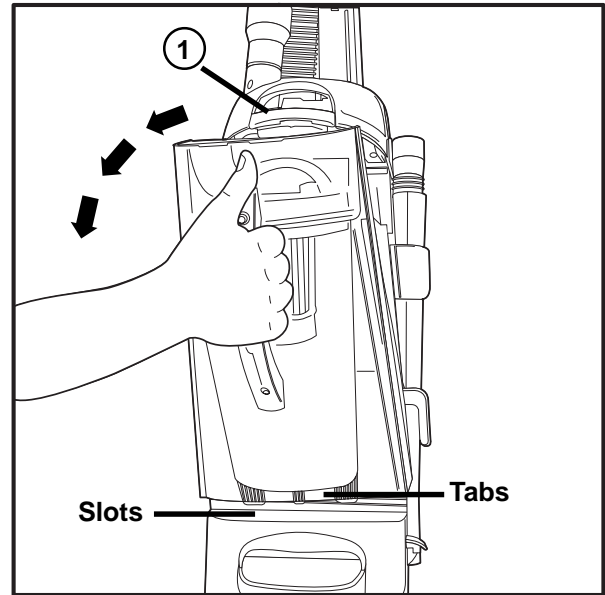
HOW TO MAINTAIN

The instructions in this booklet serve as a guide to routine maintenance. To avoid unnecessary service calls, check the cyclonic dust cup, belt, and brush roll often.

To Change Dust Cup Pleated Filter:

NOTE: Turn off the switch and unplug the electrical cord before changing the Foam Filter. Never operate the vacuum cleaner without the dust cup or the pleated filter assembly.

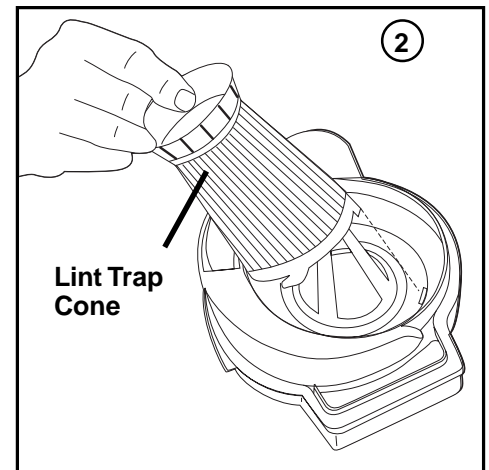
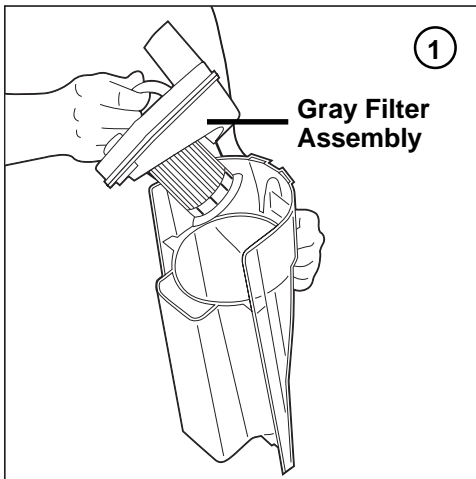
Remove dust cup by pulling latch (1) forward, pivoting dust cup out and lifting up. To replace dust cup, put bottom of dust cup in place by aligning **tabs** in **slots** and pivot top assembly back into place. Push down on latch (1), making certain that latch securely snaps and overlaps tabs at top of dust cup.



Check and clean the pleated filter once a month to maintain good performance. The filter can be cleaned by washing with mild detergent and warm water. Be sure pleated filter is completely dry before reinstalling.

To clean the Pleated Filter:

1. Grasp yellow filter frame and twist counter clockwise to remove.
2. Shake vigorously and brush off dust and lint.
3. If filter needs further cleaning, wash in warm water using a mild detergent.
4. **Do not submerge gray dust cup lid, wipe only with a damp cloth.**
5. When all parts are completely dry, replace filter on gray dust lid by twisting clockwise to snap and lock in place.



Use GENUINE EUREKA replacement pleated filter, 61805

HOW TO MAINTAIN (continued)

How To Empty Dust Cup

NOTE: Turn off the switch and unplug the electrical cord before emptying dust cup. Never operate the vacuum cleaner without the dust cup and filter assembly properly installed.

FOR INSTRUCTIONS ON HOW TO REMOVE THE DUST CUP FROM THE CLEANER BODY, REFER TO PAGE 10.

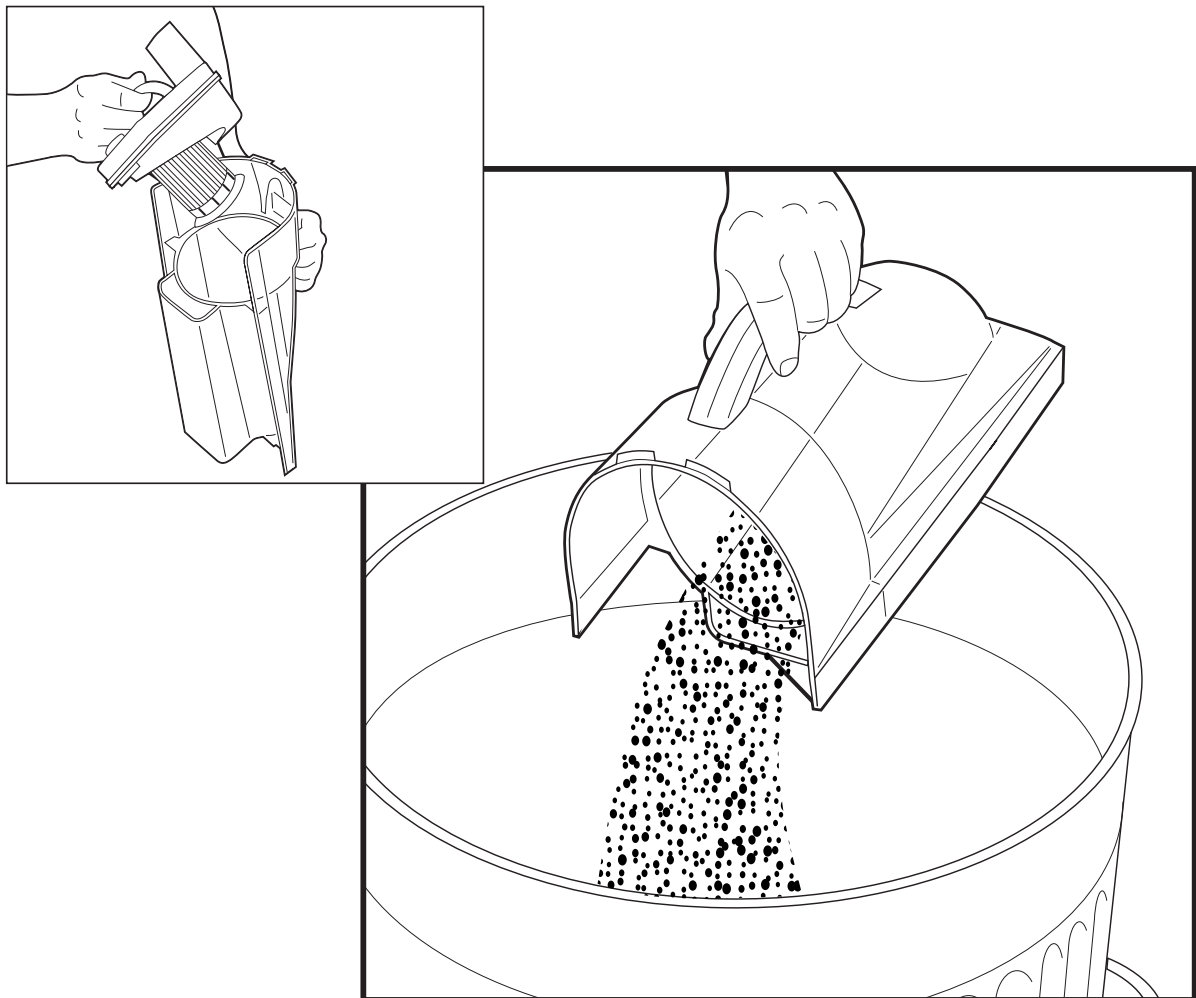
Emptying the Dust Cup:

It is clearly visible when the dust compartment is full and needs emptying. Remove dust cup from cleaner body and dump debris in a waste container.

Reinstalling the Dust Cup:

To mount gray filter assembly into cleaner body, make certain gray filter assembly is fully seated in top of dust cup. Locate 3 mounting tabs at base of dust cup into slots at front of cleaner. Pivot entire assembly fully into cleaner housing being certain that gray filter assembly wedges into top of rear housing. Press top cover down to securely latch.

CAUTION: The dust cup can be washed in warm water, if desired, **but** strong detergents should not be used. Dry thoroughly before using again. **Do not submerge gray filter assembly, wipe only with a damp cloth.**



HOW TO MAINTAIN (continued)

Brush Roll

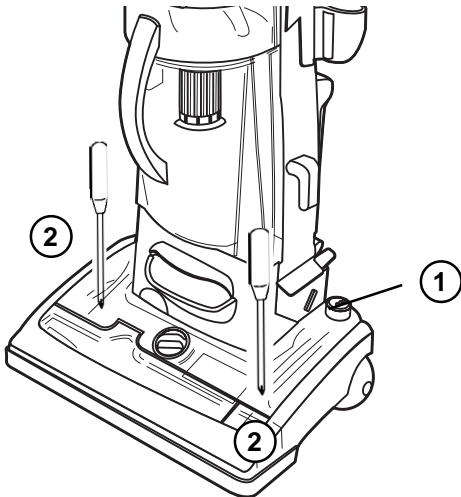
The brush roll turns as it sweeps and combs the carpet nap. Remove hair and threads from the brush roll so it continues brushing the carpet. To maintain the most efficient cleaning, the bristles must touch the carpet. To test the bristle length, hold a ruler against the underneath side of the cleaner. If the bristles no longer touch the ruler, replace the brush roll.

Brush Roll Belt

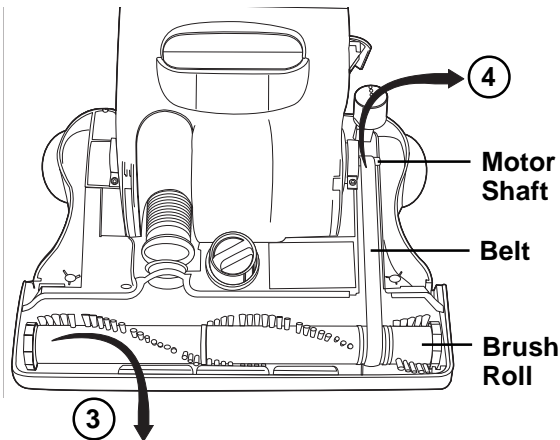
The brush roll belt turns the brush roll to agitate, sweep, and comb the carpet nap. Check the belt regularly to be sure it is in good condition. Replace the belt if it stretches, cracks or loses tension. Cut away any hair or threads wound around the brush roll or the belt pulley because the buildup could cause the belt to rotate unevenly.

How To Replace Brush Roll Belt

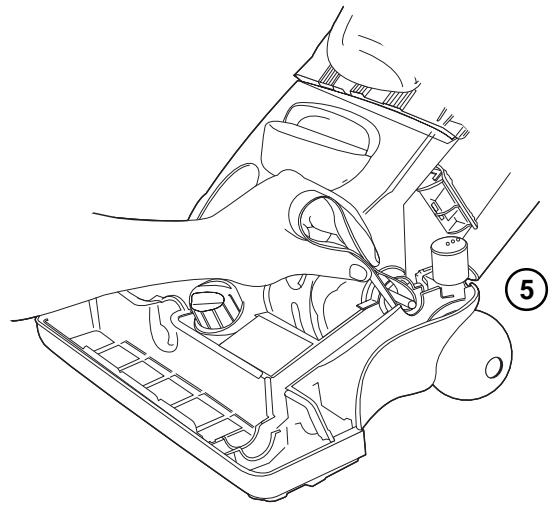
NOTE: Turn off the switch and unplug the electrical cord before replacing belt. Belt pulleys can become hot during normal use. To prevent injury, avoid touching the motor shaft when checking the belt.



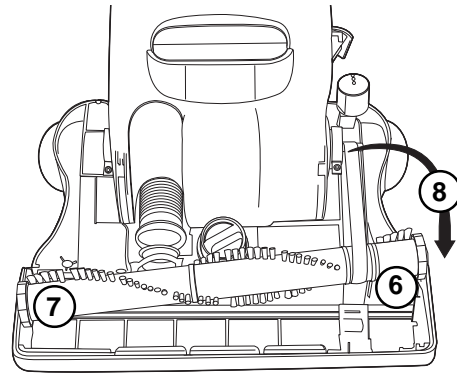
1. Lower handle to floor to change belt.
2. Loosen, but do not remove, two screws to release hood. Lift hood to remove.



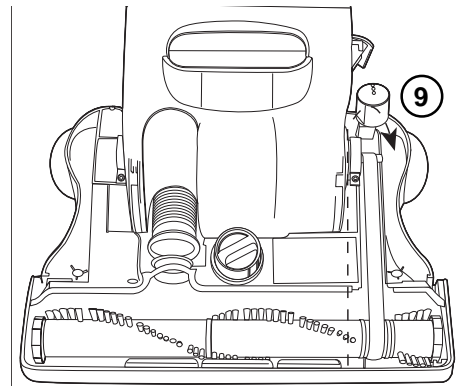
3. Lift left end of brush roll.
4. Remove and discard belt.



5. Place new belt around motor shaft.



6. Place belt around brush roll pulley.
7. Align left end cap with base. Push end cap securely into place.
8. Pull right side of brush roll to stretch belt. Secure right end cap into base.



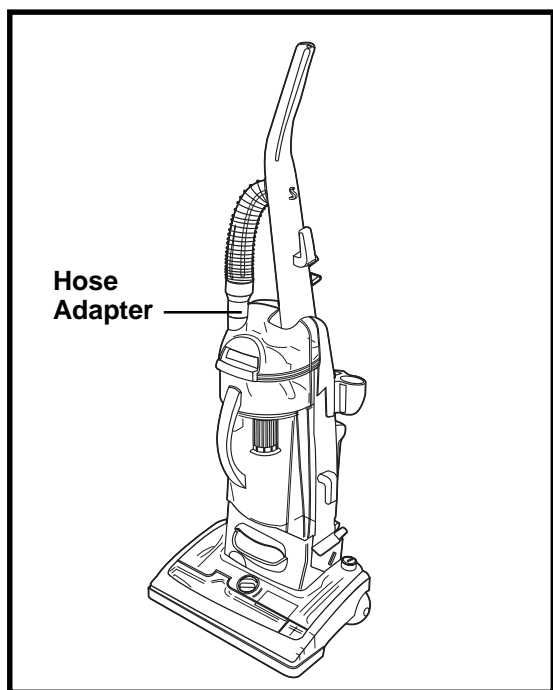
9. Rotate brush roll to seat belt.
10. Replace the hood. Make sure hood front is behind furniture guard. Hood should seat onto self-locating screw tabs.
11. Tighten screws.

Use **GENUINE EUREKA** replacement belt, 54312. Look for the **GENUINE EUREKA** product symbol.

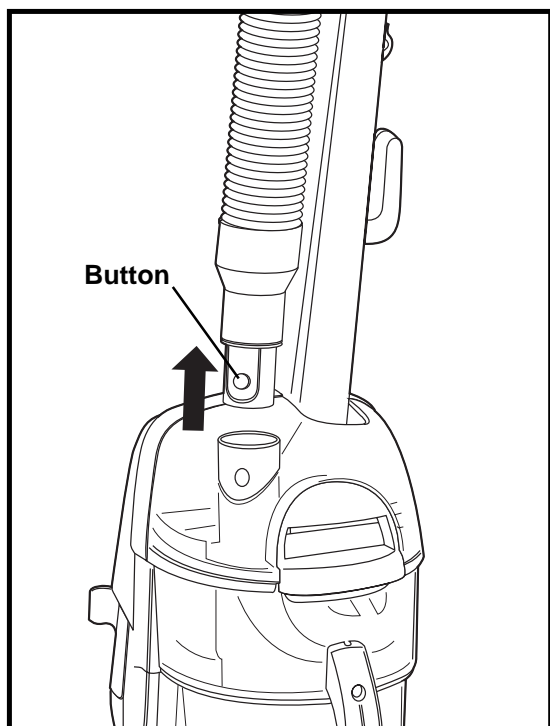
HOW TO MAINTAIN (continued)

How to Clear Hose Clogs

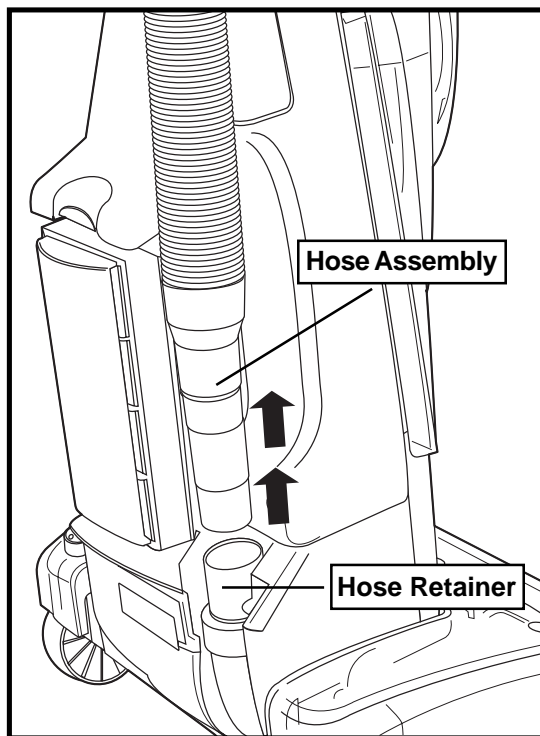
NOTE: Turn off the switch and unplug the electrical cord before clearing hose.



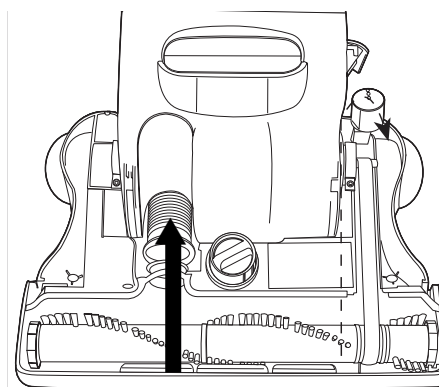
1. Locate hose adapter on the front of the cleaner.



2. Push button on hose adapter and pull hose upward to release hose from top of cleaner.



3. On the back of the cleaner, pull up on hose assembly to release from hose retainer.
4. The hose is free of the cleaner. Check for clogs in the hose retainer and throughout the hose assembly.
5. Use a tool that will not puncture the hose. Clear any debris from the hose retainer or the hose assembly that could restrict air flow.
6. Flexing the hose may help loosen the clog.
7. After the clog is removed make sure the hose assembly is reassembled onto the unit.



8. If the clog is hard to remove, check the brush roll area. Remove the hood and clear the hose inlet in the brush roll area.

HOW TO MAINTAIN (continued)

Pre-Motor Filter

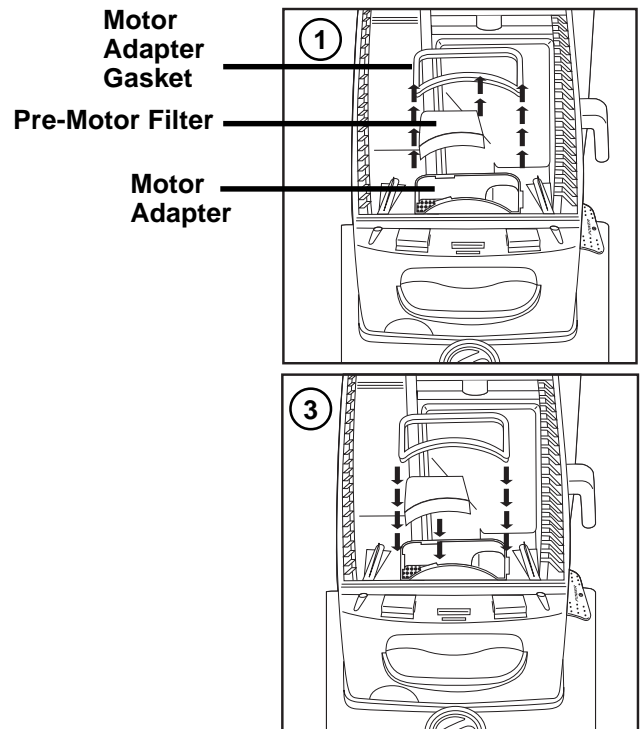
Check the pre-motor filter each time the cyclonic dust cup is emptied. Clean or replace as needed.

To Clean Pre-Motor Filter

1. Remove filter centered in the bottom of the dust cup compartment.
2. Shake filter to remove excess dust. If necessary, the filter can be cleaned by vacuuming with another cleaner or washing with mild detergent.
3. Reinstall filter after completely dry.

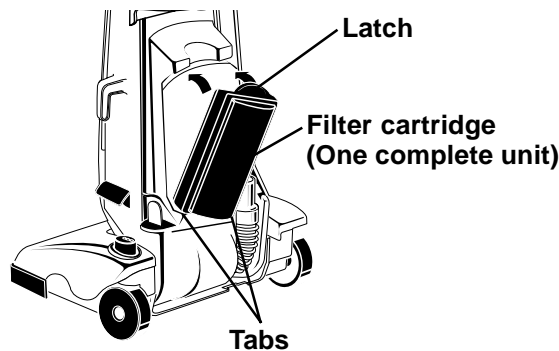
NOTE: If rubber gasket separates from motor adapter, re-position securely on top edge before using cleaner.

Use **GENUINE EUREKA** replacement pre-motor filter, 39348.



HEPA Cartridge Filters (Only for models with HEPA cartridge.)

Check the HEPA filters with each disposable dust bag change. Replace twice a year or after every six bag changes.



To remove HEPA *cartridge* filters

1. Push down latch and pull filter cassette back.
2. Then lift filter up and remove.

To replace HEPA *cartridge* filters

1. Place bottom tabs of filter cassette into slots.
2. Rotate filter toward cleaner.
3. Push upward on the latch to secure into place.

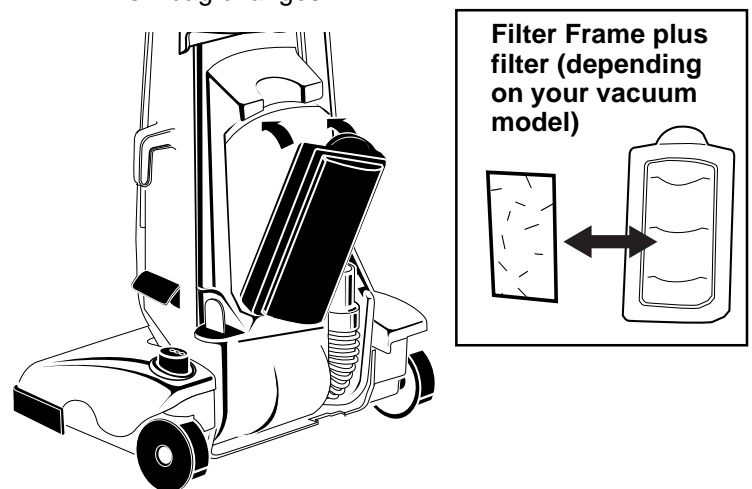
NOTE: To have the benefit of a sealed HEPA system, you must use one of the HEPA *cartridge* filter systems.

Use **GENUINE EUREKA** replacement HEPA filter, 60285B.

HEPA/Micron Filters in Filter Frame

(Only for models with HEPA/Micron filter frame)

Check the HEPA/Micron filter with each disposable dust bag change. Replace twice a year or after every six bag changes.



To remove HEPA/Micron filters from *filter frame*

1. Push down latch and pull filter frame back.
2. Then lift filter up and out of filter frame.

To replace HEPA/Micron filters into *filter frame*

1. Place new filter in filter frame. Place bottom tabs of filter frame into slots.
2. Rotate filter frame toward cleaner.
3. Push upward on the latch to secure into place.

Use **GENUINE EUREKA** replacement filters, HEPA, part no. 61500; Micron, part no. 60801.

Micron and HEPA Exhaust Filters

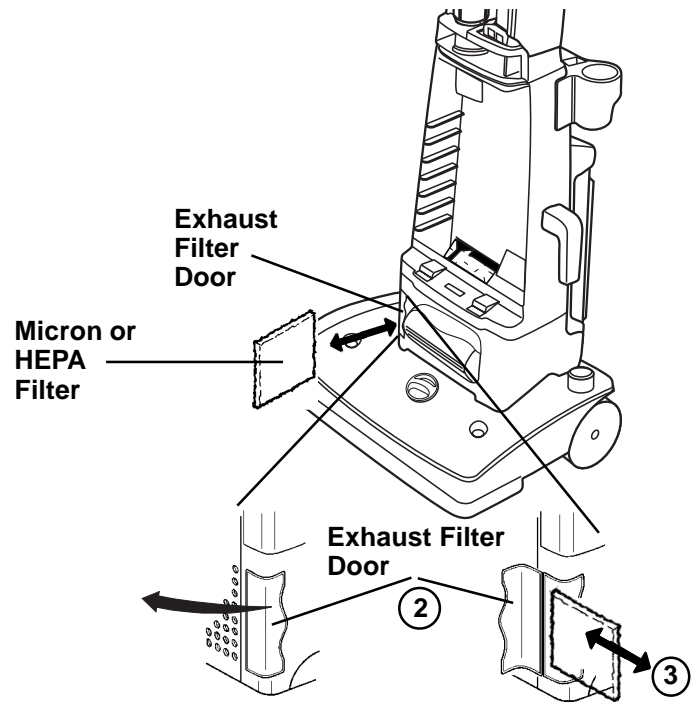
(Only for models with the exhaust filter door)

Change micron or HEPA exhaust filter every 3 months.

To Replace Micron or HEPA Exhaust Filter

1. Lower the handle. Open exhaust filter door; push toward the left side.
2. Grasp filter and pull out.
3. Push new filter into cleaner, smooth side facing out.
4. Close exhaust filter door; push toward right side.

Use **GENUINE EUREKA** replacement filters, HEPA, part no. 61505; Micron, part no. 60665.

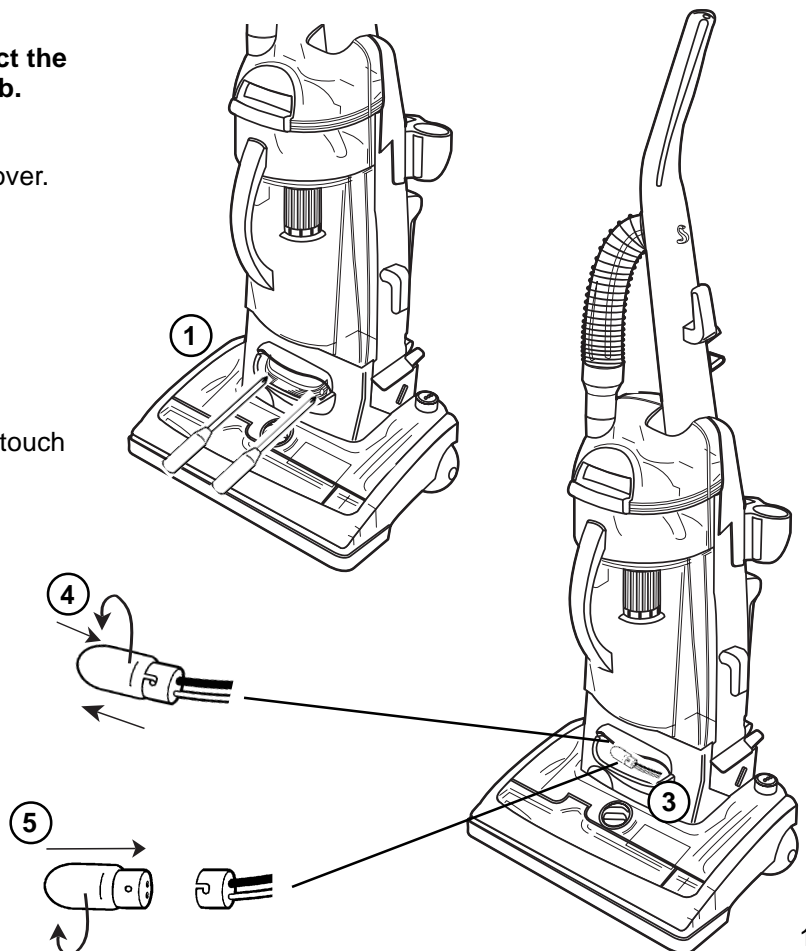


HOW TO MAINTAIN (continued)

How To Change Light Bulb (Only for models with a headlight)

NOTE: Turn off the power switch and disconnect the electrical cord before changing light bulb.

1. Lower handle. Remove two screws from lens cover.
2. Pull lens cover from cleaner.
3. Pull light bulb and socket toward front.
4. Push light bulb into socket; turn to release.
5. Place new light bulb into socket; turn to secure.
6. Push light bulb and socket back so bulb will not touch lens cover.
7. Replace lens cover.
8. Secure with two screws.



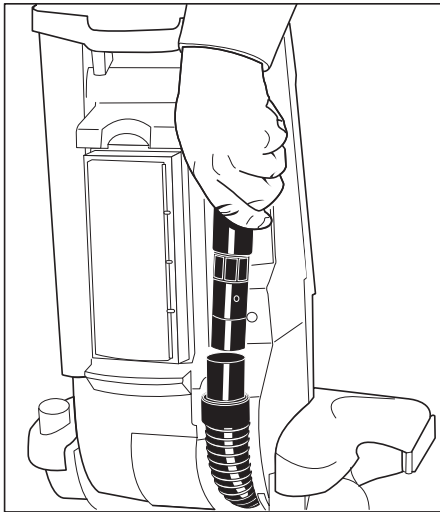
Use **15 watt replacement light bulb**, part number 48815.

STAIR CLEANING HOSE (Only on Certain Models)

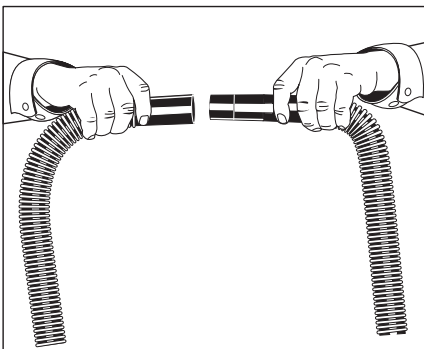
WARNING: Never position any cleaner on the stairs as this could damage the carpet.

Some models will come complete with an extra bonus hose which is ideal for cleaning stairs.

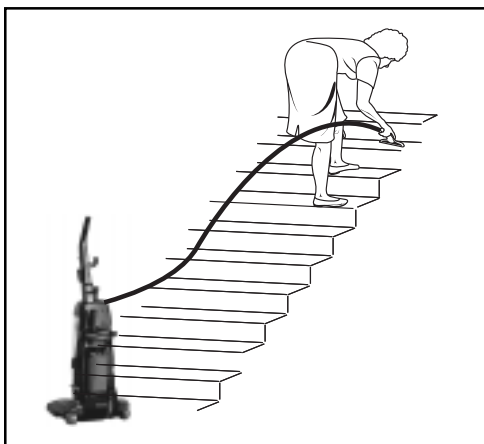
HOW TO ASSEMBLE AND USE



Step 1 - Remove the hose attached to the cleaner.

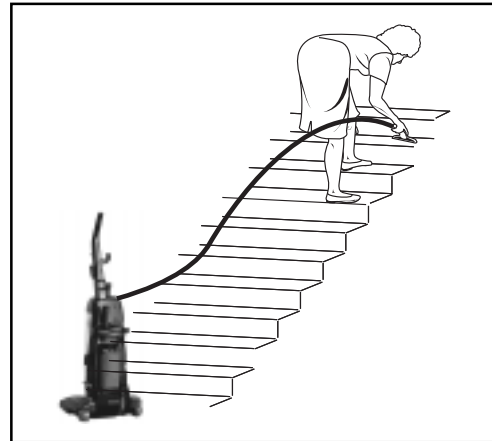


Step 2 - Connect the hose cuff to the end of the bonus hose.

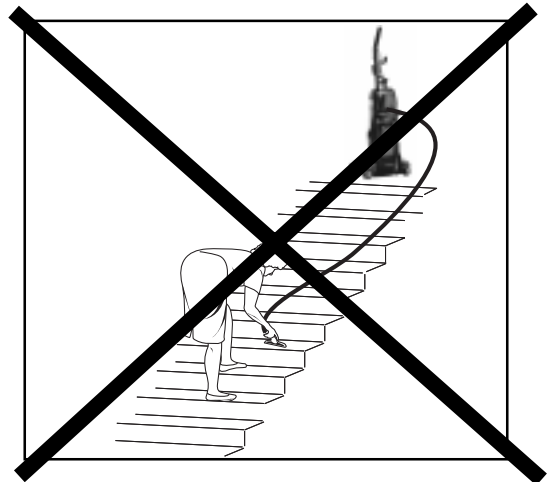


Step 3 - You are ready to clean your stairs.

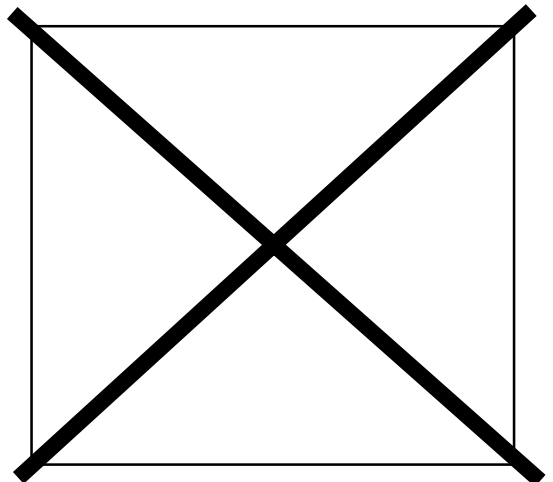
WARNING



! Always work with the cleaner below you, pulling hose from side of cleaner; *not* the back or the front of the cleaner. Ensure it is positioned sideways up against the bottom step.



! NEVER STAND ANY CLEANER ABOVE YOU.



! NEVER POSITION ANY CLEANER ON THE STAIRS AS THIS COULD DAMAGE THE CARPET.

PROBLEM SOLVING

NOTE: Turn off the switch and unplug the electrical cord before servicing.

PROBLEM	CAUSE	SOLUTION
Motor will not start.	<input checked="" type="checkbox"/> Electric Plug	<input type="checkbox"/> Push plug securely into outlet. <input type="checkbox"/> Try another outlet. <input type="checkbox"/> Check circuit breaker.
Motor suddenly stops.	<input checked="" type="checkbox"/> Thermal Cut Off	<input type="checkbox"/> Refer to page 7.
Does not clean the carpet or floor.	<input checked="" type="checkbox"/> Filters <input checked="" type="checkbox"/> Cyclonic Dust Cup <input checked="" type="checkbox"/> Belt <input checked="" type="checkbox"/> Belt Cap <input checked="" type="checkbox"/> Brush Roll <input checked="" type="checkbox"/> Hose	<input type="checkbox"/> Clean or replace the filter(s). Hint: If picking up fine dust, the filter may <u>not</u> look dirty but a fine substance tends to reduce suction when it blocks the airflow through the filter(s). <input type="checkbox"/> Be sure hose button lock is secure. <input type="checkbox"/> Be sure the cyclonic dust cup is properly seated into the cassette body. See page 10. <input type="checkbox"/> Empty cyclonic dust cup. See page 11. <input type="checkbox"/> Replace a cut, loose or out of shape belt. <input type="checkbox"/> Snap the belt cap inside the hood if it comes loose. <input type="checkbox"/> Clean hair and thread from bristles and end cap area. Replace brush roll if bristles are worn. <input type="checkbox"/> Remove any clogs from the hose that restrict the airflow. Check short hose in the base and long hose. Refer to page 13.
No suction at the end of hose.	<input checked="" type="checkbox"/> Hose Adapter <input checked="" type="checkbox"/> Filter(s) <input checked="" type="checkbox"/> Hose	<input type="checkbox"/> Be sure button lock on hose adapter is secure. <input type="checkbox"/> Clean or replace the filter(s). Hint: If picking up fine dust, the filter may <u>not</u> look dirty, but a fine substance tends to reduce suction when it blocks the airflow through the filter(s). <input type="checkbox"/> Remove any clogs from the hose that restrict the airflow. Check short hose in the base and long hose. Refer to page 13.
Headlight not working.	<input checked="" type="checkbox"/> Light Bulb	<input type="checkbox"/> Replace light bulb.
Noise from the brush roll area.	<input checked="" type="checkbox"/> Brush Roll <input checked="" type="checkbox"/> Belt	<input type="checkbox"/> Remove hood and clean debris or items from the brush roll area. <input type="checkbox"/> Replace a cut, loose or out of shape belt.
Cleaner is hard to push.	<input checked="" type="checkbox"/> Cleaner Height Setting <input checked="" type="checkbox"/> Belt	<input type="checkbox"/> Put handle in operating position. Tilt the cleaner back to raise the front wheels off floor. Then turn the knob to a higher setting. <input type="checkbox"/> Replace a cut, loose or out of shape belt.
Cleaner height knob will not turn.	<input checked="" type="checkbox"/> Cleaner Height Setting	<input type="checkbox"/> Hint: Put handle in operating position. Tilt the cleaner back to raise the front wheels off floor. Then turn the knob.
Dirt Alert red light will not go off.	<input checked="" type="checkbox"/> New carpet fibers.	<input type="checkbox"/> Over time loose new carpet fibers will diminish and will not trip the dirt alert sensors.
Dirt Alert red light will not come on.	<input checked="" type="checkbox"/> Dirt sensor is not working.	<input type="checkbox"/> Call 1-800-282-2886 7 a.m. to 8 p.m. central standard time, Monday through Saturday for the nearest authorized Eureka service center.

THE EUREKA LIMITED WARRANTY

What This Warranty Covers

Your Eureka cleaner is warranted to be free from all defects in material and workmanship in normal household use for a period of one year. The warranty is granted only to the original purchaser and members of his or her immediate household. The warranty is subject to the following provisions.

What This Warranty Does Not Cover

- Parts of the cleaner that require replacement under normal use, such as disposable dust bags, filters, drive belts, light bulbs, and brush roll bristles
- Damages or malfunctions caused by negligence, abuse, or use not in accordance with the Owner's Guide.
- Defects or damages caused by unauthorized service or the use of other than Genuine Eureka parts.

What The Eureka Company Will Do

The Eureka Company will, at its option, repair or replace a defective cleaner or cleaner part that is covered by this warranty. As a matter of warranty policy, the Eureka Company will not refund the consumer's purchase price.

Warranty Registration

Please fill out and return the warranty registration card accompanying your cleaner.

Obtaining Warranty Service

To obtain warranty service you must return the defective cleaner or cleaner part along with proof of purchase to any Eureka Authorized Warranty Station. You will find the nearest location in the Yellow Pages, under "Vacuum Cleaners—Service and Repair." Be certain that the Warranty Station is "Eureka Authorized." For the location of the nearest Eureka Authorized Warranty Station or for service information, telephone toll free:

USA: 1-800-282-2886
Mexico: 5670-6169
Canada: 1-800-282-2886

If you prefer, you can write to The Eureka Company, Service Division, 807 North Main Street, Bloomington, Illinois 61701, USA. In Canada write to The Eureka Company, 866 Lings Drive, Cambridge, Ontario N3H 2N7.

If it is necessary to ship the cleaner outside your community to obtain warranty repair, you must pay the shipping charges to the Eureka Authorized Warranty Station. Return shipping charges will be paid by the Warranty Station. When returning parts for repair, please include the model, type, and serial number from the data plate on the cleaner.

Further Limitations and Exclusions

Any warranty that may be implied in connection with your purchase or use of the cleaner, including any warranty of Merchantability or any warranty for Fitness For A Particular Purpose is limited to the duration of this warranty. Some states do not allow limitations on how long an implied warranty lasts, so the above limitations may not apply to you.

Your relief for the breach of this warranty is limited to the relief expressly provided above. In no event shall Eureka be liable for any consequential or incidental damages you may incur in connection with your purchase or use of the cleaner. Some states do not allow the exclusion or limitation of incidental or consequential damages, so the above limitation or exclusion may not apply to you.

This warranty gives you specific legal rights. You may also have other rights which vary by state.



Questions & Answers about Genuine Eureka Products

Q: Why should I use only Genuine Eureka paper bags, belts, and parts in my Eureka vacuum cleaner?

A: Using Genuine Eureka Products, which are made to our exacting specifications and engineered with emphasis on quality, performance, and customer satisfaction, ensures the long life and cleaning efficiency of your vacuum cleaner. Overall, this saves you money and helps to keep your home clean.

Q: How can I be sure I am using only genuine Eureka products in my vacuum cleaner?

A: Typically, packaged products and paper bags can be identified by a "Genuine Eureka Product" symbol (see illustration above). For further identification assistance, you may call our toll-free number, 1-800-282-2886, for the location of a nearby Eureka Authorized Warranty Station.

Q: Are there any differences between "made to fit" or "imitation" and Genuine Eureka paper bags, belts, and parts?

A: Yes, there are some very important differences in materials, quality, and reliability. Many customers have mistakenly purchased "imitation" paper bags and parts while thinking they purchased genuine. Unfortunately, many of these customers discovered the differences after they experienced related difficulties.

For Genuine Eureka Value, Accept No Imitations!
THE EUREKA COMPANY

Bloomington, Illinois 61701

Household Warranty
abs 190

Questions?

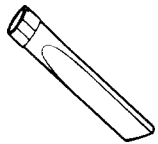
Do Not Return To Store

Call

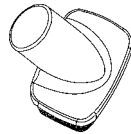
1-800-282-2886

7 a.m. to 8 p.m., Central Standard Time, Monday through Saturday

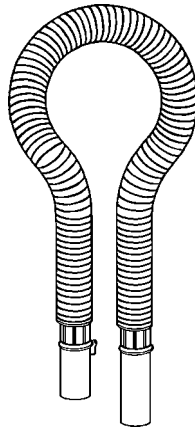
Accessory Items in This Carton



1 crevice tool



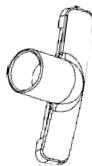
1 dusting brush
(on some models)



1 hose assembly



1 combination tool
(on some models)



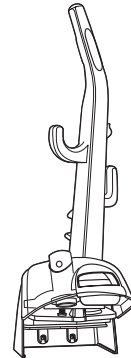
1 upholstery Nozzle
(on some models)



1 wand



1 hardware package
(2 screws)



1 vacuum cleaner
handle

Thank you for selecting a Eureka cleaner.

Don't Forget to Use Genuine Eureka Belts

Caution: Damages caused by the use of non-genuine Eureka parts are not covered by the Eureka Limited Warranty.