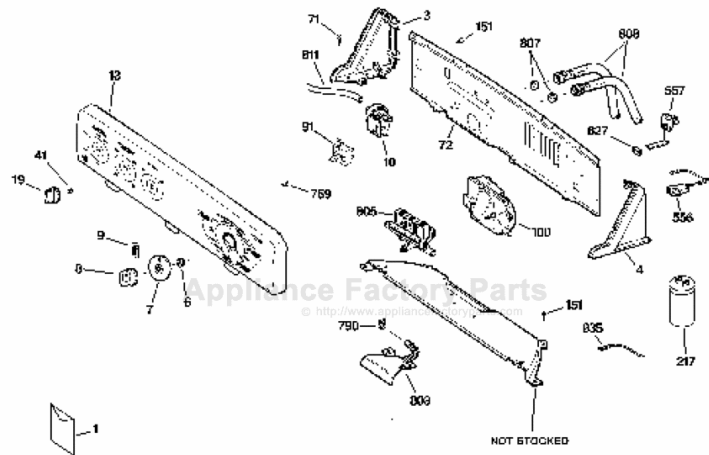


This Owner's Manual is provided and hosted by [Appliance Factory Parts](http://ApplianceFactoryParts.com).



GE WCSR2090G6CC Owner's Manual

[Shop genuine replacement parts for GE
WCSR2090G6CC](#)



[Find Your GE Washer Parts - Select From 4591 Models](#)

----- Manual continues below -----



Washers

Safety Instructions2, 3

Operating Instructions

Care and Cleaning
of the Washer 9
Control Panels 4, 6
Control Settings 4-7
Features 8
Loading and Using
the Washer 9

Troubleshooting Tips10-12

Consumer Support

Consumer Support16
Warranty15

Write the model and serial
number here:

Model # _____

Serial # _____

You can find them
under the lid of
the washer.



IMPORTANT SAFETY INFORMATION. READ ALL INSTRUCTIONS BEFORE USING.

⚠ WARNING!

For your safety, the information in this manual must be followed to minimize the risk of fire or explosion, electric shock, or to prevent property damage, personal injury, or loss of life.



WATER HEATER SAFETY

Under certain conditions, hydrogen gas may be produced in a water heater that has not been used for two weeks or more. Hydrogen gas can be explosive under these circumstances.

If the hot water has not been used for two weeks or more, prevent the possibility of damage or injury by turning on all hot water faucets and allowing them to run for several minutes. Do this before using any electrical appliance which is connected to the hot water system. This simple procedure will allow any built-up hydrogen gas to escape. Since the gas is flammable, do not smoke or use an open flame or appliance during this process.



PROPER INSTALLATION

This washer must be properly installed and located in accordance with the Installation Instructions before it is used. If you did not receive an Installation Instructions sheet, you can receive one by visiting ge.com or by calling **800.GE.CARES** (800.432.2737).

- Install or store where it will not be exposed to temperatures below freezing or exposed to the weather, which could cause permanent damage and invalidate the warranty.
- Properly ground washer to conform with all governing codes and ordinances. Follow details in Installation Instructions.



YOUR LAUNDRY AREA

- Keep the area underneath and around your appliances free of combustible materials such as lint, paper, rags, chemicals, etc.
- Close supervision is necessary if this appliance is used by or near children. Do not allow children to play on, with or inside this or any other appliance.



WHEN USING THE WASHER

Use this appliance only for its intended purpose as described in this Owner's Manual.

- Never reach into washer while it is moving. Wait until the machine has completely stopped before opening the lid.
- Do not mix chlorine bleach with ammonia or acids such as vinegar and/or rust remover. Mixing different chemicals can produce a toxic gas which may cause death.
- Do not wash or dry articles that have been cleaned in, washed in, soaked in or spotted with combustible or explosive substances (such as wax, oil, paint, gasoline, degreasers, dry-cleaning solvents, kerosene, etc.). These substances give off vapors that may ignite or explode. Do not add these substances to the wash water. Do not use or place these substances around your washer or dryer during operation.
- The laundry process can reduce the flame retardancy of fabrics. To avoid such a result, carefully follow the garment manufacturer's wash and care instructions.
- To minimize the possibility of electric shock, unplug this appliance from the power supply or disconnect the washer at the building's distribution panel by removing the fuse or switching off the circuit breaker before attempting any maintenance or cleaning.

NOTE: Turning the Cycle Selector Knob to an off position, or pressing PAUSE does **NOT** disconnect the appliance from the power supply.
- Never attempt to operate this appliance if it is damaged, malfunctioning, partially disassembled, or has missing or broken parts, including a damaged cord or plug.



WHEN NOT IN USE

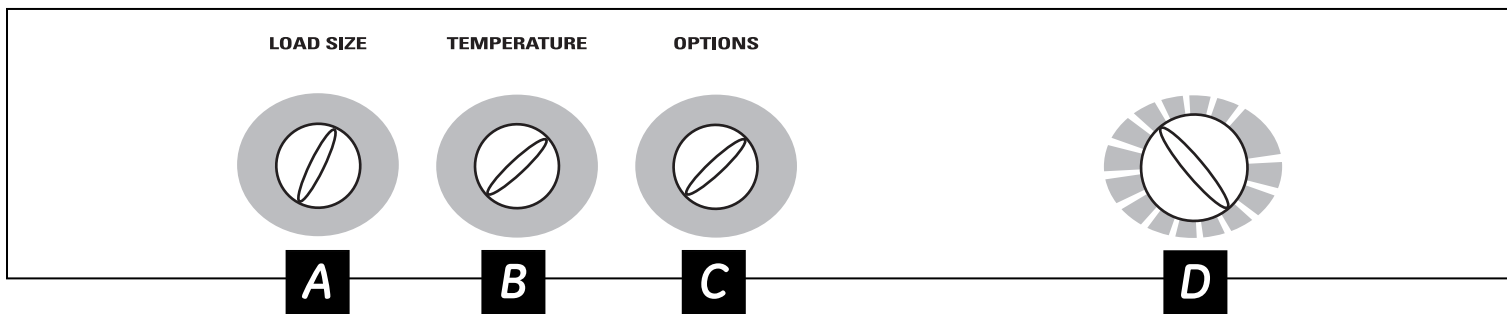
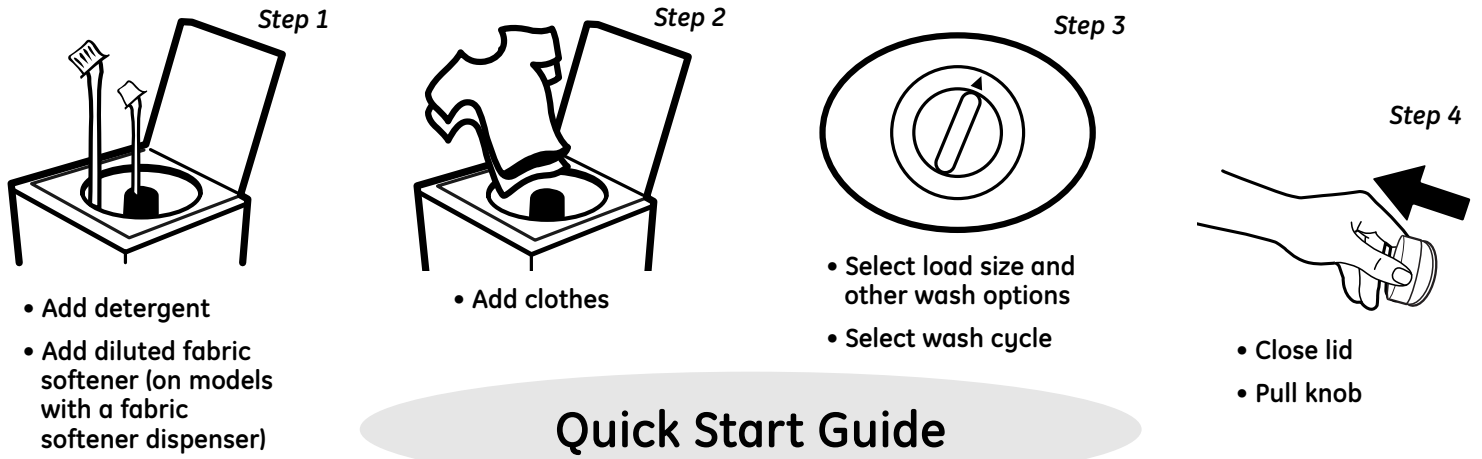
- Turn off water faucets to relieve pressure on hoses and valves and to minimize leakage if a break or rupture should occur. Check the condition of the fill hoses; GE recommends changing the hoses every 5 years.
- Do not attempt to repair or replace any part of this appliance unless specifically recommended in this Owner's Manual, or in published user-repair instructions that you understand and have the skills to carry out.
- Before discarding a washer, or removing it from service, remove the washer lid to prevent children from hiding inside.
- Do not tamper with controls.



READ AND FOLLOW THIS SAFETY INFORMATION CAREFULLY.

SAVE THESE INSTRUCTIONS

About the control panel—for models with “pull knob” start.



Controls

A Load Size

Loosely load clothes no higher than the top row of holes in the washer basket. The water level should just cover the clothes. Adjust the load size accordingly.

B Temperature (on some models)

Select the water temperature for the wash and rinse cycles. Always follow fabric manufacturer's care label or instructions when laundering.

C Options (on some models)

2nd Rinse Option

When you use extra detergent or bleach to clean heavily soiled clothes, you may want to use the 2nd Rinse option. It provides a second deep cold rinse.

D Wash Cycle—Cycle Selector Knob

The chart below will help you match the wash cycle setting with your clothing. The chart is ranked from longest to shortest cycle time and wash intensity.

Your washer may not have all these cycles. (Cycles vary by model.)

PREWASH	For removing surface dirt from heavily soiled clothes. Make sure to follow with a regular wash cycle.
CASUALS	For wrinkle-free and permanent press items, and knits.
COTTONS or WHITES	For heavy to lightly soiled cottons, household linens, work and play clothes.
EASY CARE	For wrinkle-free and permanent press items, and knits.
DELICATES	For lingerie and special-care fabrics with light to normal soil.
HAND WASH	For items labeled handwashable with light soils. Provides periods of agitation and soak during wash and rinse.
SPEED WASH	For lightly soiled items that are needed in a hurry.
SPIN	For draining the tub and spinning water out of the clothes.
DARK COLORS	For non-colorfast cottons and blends and items that are labeled cold wash by the fabric manufacturer.
COLORS	For wrinkle-free and permanent press items, knits and cottons.
RINSE SPIN	For quickly rinsing chlorine, perspiration, stains, etc., out of clothes.
15 MIN/30 MIN AUTO SOAK	For very soiled clothes. Begins with agitation, soaks for a specified period of time, then moves through the rest of the cycle automatically.
2nd RINSE	Provides an automatic, second deep rinse to thoroughly remove detergent or bleach from your clothes.

About the control panel—for models with START button.



Controls

A Load Size

Loosely load clothes no higher than the top row of holes in the washer basket. The water level should just cover the clothes. Adjust the load size accordingly.

B Temperature

Select the water temperature for the wash and rinse cycles. Always follow fabric manufacturer's care label or instructions when laundering.

PerfectTemp senses the incoming water temperature and adjusts the fill water to obtain a more precise temperature range for all wash temperatures. For example, in a COLD wash selection, some warm water may be added to reach a temperature needed to better dissolve detergents. Often, detergents are not completely dissolved in very cold water, especially in cooler climates.

During winter months, when the water entering your home is colder, or for locations with very cold water year round, use the **PerfectTemp** plus COLD to help dissolve powdered detergents and to improve the cleaning of your clothes.

The **TAP COLD** feature turns the **PerfectTemp** feature on your washer off, and uses your household tap water temperature for a COLD wash. This can provide energy savings by reducing the amount of hot water used in your wash.

C Options

Autosoak Option (on some models)

This option begins with a brief agitation, soaks for a specified period of time, then moves through the rest of the cycle automatically. On some models, this option is located on the Cycle Selector knob.

2nd Rinse Option (on some models)

When you use extra detergent or bleach to clean heavily soiled clothes, you may want to use the 2nd Rinse option. It provides a second deep cold rinse.

Extended Spin Option (on some models)

Use this option to extract more water from your clothes. Clothes will be drier when this option is selected and will dry more quickly in your dryer.

D Status Indicator Lights

The Cycle Indicator Lights show what stage the washer is in. When the Selector knob is set to a new cycle, the Indicator Lights will flash momentarily, showing what stages the cycle will go through. On models without an **AUTO SOAK** option, the SOAK light will not light up.



E Wash Cycle—Cycle Selector Knob

The wash cycle controls the length and intensity of the washing process. The knob can be turned in either direction. Turning the Cycle Selector knob after starting a cycle will stop the washer and reset the cycle to the new selection. Press **START** to begin the new cycle selection.

The chart below will help you match the wash cycle setting with your clothing. The chart is ranked from longest to shortest cycle time and wash intensity. (Cycles vary by model.)

PREWASH	For removing surface dirt from heavily soiled clothes. Make sure to follow with a regular wash cycle.
CASUALS	For wrinkle-free and permanent press items, and knits.
COTTONS	For heavy to lightly soiled cottons, household linens, work and play clothes.
EASY CARE	For wrinkle-free and permanent press items, and knits.
DELICATES	For lingerie and special-care fabrics with light to normal soil.
HAND WASH	For items labeled handwashable with light soils. Provides periods of agitation and soak during wash and rinse.
SPEED WASH	For lightly soiled items that are needed in a hurry.
DRAIN & SPIN OR SPIN ONLY	For draining the tub and spinning water out of the clothes.
AUTO SOAK	For very soiled clothes. Begins with a brief agitation, soaks for a specified period of time, then moves through the rest of the cycle automatically.

F START

Press **START** to begin the cycle. Pressing **START** again or raising the lid will **PAUSE** the cycle and the Cycle indicator light will blink.

To continue the cycle, press **START** again or close the lid. If machine is paused more than 24 hours, the cycle will be cancelled. To stop the cycle, hold the button for 3 seconds. If water remains in the machine, select the **DRAIN & SPIN OR SPIN ONLY** cycle to drain tub and spin water out of the washer tub.

Raising the lid will stop agitation or spin action, but does not pause the cycle.

About washer features.



The Agitator Cap or Fabric Softener Dispenser (depending on model)

The **agitator cap** fits into the top of the agitator. If it accidentally comes off, simply put it back on.

The **fabric softener dispenser** automatically releases liquid fabric softener at the proper time during the cycle.

Do not stop the washer during the first spin. This will cause the dispenser to empty too soon.

To use, follow these steps:

- 1 Make sure dispenser is securely attached to agitator.
- 2 Use only liquid fabric softener. Pour into dispenser, using amount recommended on package.

Never pour fabric softener directly on clothes. It may stain them.

- 3 Add water to dispenser until it reaches the maximum fill line.



Do not pour anything into the agitator if the agitator cap or dispenser is removed.



Separate for cleaning

Cleaning the Fabric Softener Dispenser (on some models)

- 1 Remove the dispenser from the top of the agitator.
- 2 Separate the dispenser cup from the cover by grasping the top and pushing down on the inside of the cup with your fingers. Dispenser cup will pop free from the cover.
- 3 To clean the dispenser, soak both the dispenser cup and the dispenser cover in the following solution:
 - 1 US gallon (3.8 liters) warm water
 - 1/4 cup (60 ml) heavy-duty liquid detergent
 - 1 cup (240 ml) bleach
- 4 If necessary, loosen buildup with a clean, soft cloth after soaking. Do not use a stiff brush; you may roughen the surface of the dispenser.
- 5 Rinse and reassemble dispenser. Place dispenser back on the agitator.

Liquid Bleach Funnel

The water fill dilutes liquid chlorine bleach as the washer fills for the wash cycle.



- 1 Check clothing care labels for special instructions.
- 2 Measure liquid bleach carefully, following instructions on the bottle.
 - Never pour undiluted liquid chlorine bleach directly onto clothes or into the wash basket.
 - Do not pour powdered bleach into bleach funnel.
- 3 Before starting the washer, pour measured amount of bleach directly into bleach funnel. Avoid splashing or over-filling dispenser. If you prefer to use powdered bleach, add it into the wash basket with your detergent.
 - Do not mix chlorine bleach with ammonia or acids such as vinegar and/or rust remover. Mixing can produce a toxic gas which may cause death.

Loading and using the washer.

Always follow fabric manufacturer's care label when laundering.

ge.com



Sorting Wash Loads

Sort by color (whites, lights, colors), soil level, fabric type (sturdy cottons, easy care, delicates) and whether the fabric produces lint (terry cloth, chenille) or collects lint (velveteen, corduroy).



Proper Use of Detergent

Add detergent and start the washer before adding clothes so that the detergent can work effectively. Using too little or too much detergent is a common cause of laundry problems.

You can use less detergent if you have soft water, a smaller load or a lightly soiled load.



Loading the Washer

Load dry items loosely, no higher than the top row of holes in the washer basket. When loading wet items, make sure you set the load/water level high enough to allow the items to move freely. Water level should just cover the clothes. To add items after washer has started, lift the lid and submerge additional items next to the agitator.

- Do not wrap long items like sheets or pants around the agitator.
- Do not wash fabrics containing flammable materials (waxes, cleaning fluids, etc.).
- Agitation will not start with the lid up.

Care and cleaning of the washer.



Wash Basket: Leave the lid open after washing to allow moisture to evaporate. If you want to clean the basket, use a clean soft cloth dampened with liquid detergent; then rinse. (Do not use harsh or gritty cleaners.)

Fill Hoses: GE recommends changing the hoses every 5 years.

Exterior: Immediately wipe off any spills. Wipe with damp cloth. Try not to hit surface with sharp objects.

Moving and Storage: Ask the service technician to remove water from drain pump and hoses. See the Installation Instructions packed with product for information on how to reinstall the shipping rod to keep the tub stationary when moving the washer. For more information, visit ge.com or call **800.GE.CARES** (800.432.2737). Do not store the washer where it will be exposed to the weather.

Long Vacations: Be sure water supply is shut off at faucets. Drain all water from hoses if weather will be below freezing.

Before you call for service...



Troubleshooting Tips

Save time and money! Review the charts on the following pages, or visit ge.com. You may not need to call for service.

WATER	Possible Causes	What To Do
<i>Too many suds</i>	Too much detergent	<ul style="list-style-type: none"> Measure your detergent carefully. Use less soap if you have soft water, a smaller load or a lightly soiled load.
	Type of detergent	<ul style="list-style-type: none"> Switch to a lower sudsing detergent brand and follow instructions on package.
	Soft water	<ul style="list-style-type: none"> Try less detergent.
<i>Water leaks</i>	Using too much detergent in washer	<ul style="list-style-type: none"> Use less detergent. Use less soap if you have soft water, a smaller load or a lightly soiled load.
	Fill hoses or drain hose is improperly connected	<ul style="list-style-type: none"> Make sure hose connections are tight at faucets and rubber washers are installed. Make sure end of drain hose is correctly inserted in and secured to drain facility.
	Household drain may be clogged	<ul style="list-style-type: none"> Check household plumbing. You may need to call a plumber.
	Constant water pressure to the fill hoses at the water source	<ul style="list-style-type: none"> Tighten hoses at the faucets and turn the water off after each use. Check condition of the fill hoses; they should be replaced every 5 years.
<i>Water temperature seems incorrect</i>	Cooler water temperatures provide improved energy efficiency	<ul style="list-style-type: none"> New laundry detergents have been formulated to work with cooler water temperatures without affecting wash performance.
	Water supply is turned off or improperly connected	<ul style="list-style-type: none"> Turn both hot and cold faucets fully on and make sure hoses are connected to correct faucets.
	Water valve screens are stopped up	<ul style="list-style-type: none"> Turn off the water source and remove the water connection hoses from the upper back of the washer. Use a brush or toothpick to clean the screens in the machine. Reconnect the hoses and turn the water back on.
	House water heater is not set properly	<ul style="list-style-type: none"> Make sure house water heater is delivering water at 120°F–140°F (48°C–60°C).
<i>Water pumped out before cycle is complete</i>	Lid lifted or cycle was put in pause for over 24 hours	<ul style="list-style-type: none"> Reset cycle.
<i>Water won't drain</i>	Drain hose is kinked or improperly connected	<ul style="list-style-type: none"> Straighten drain hose and make sure washer is not sitting on it. Top of drain outlet should be less than 8 ft (2.5 m) above floor.
<i>Washer pauses during wash cycle</i>	The PREWASH Cycle or AUTO SOAK Option was chosen	<ul style="list-style-type: none"> This is normal. The washer alternates between agitate and soak during these cycles to get your clothes cleaner with less wear.
<i>Washer pauses during spin cycle</i>	This is normal	<ul style="list-style-type: none"> The washer may pause during the spin cycle to remove soapy water more efficiently.

OPERATION	Possible Causes	What To Do
Washer won't operate	Washer is unplugged	<ul style="list-style-type: none"> • Make sure cord is plugged securely into a working outlet.
	Water supply is turned off	<ul style="list-style-type: none"> • Turn both hot and cold faucets fully on.
	Controls are not set properly	<ul style="list-style-type: none"> • Check controls.
	Lid is open—safety feature prevents agitation and spinning when lid is up	<ul style="list-style-type: none"> • Close lid and reset cycle, to the beginning if necessary.
	Circuit breaker/fuse is tripped/blown	<ul style="list-style-type: none"> • Check house circuit breakers/fuses. Replace fuses or reset breaker. Washer should have separate outlet.
	Electronics need to be reset	<ul style="list-style-type: none"> • Unplug washer, wait 2 minutes, plug back in and press START.
	START was not pressed	<ul style="list-style-type: none"> • Press START.
Lid magnet missing	<ul style="list-style-type: none"> • Call for service. 	
Time not shown on display	Unit filling	<ul style="list-style-type: none"> • This is normal. Estimated time remaining is updated during fill time.
Movement inside machine when shut off	Shifting mechanism is disengaging the motor	<ul style="list-style-type: none"> • When the machine is manually turned off, the shifter will disengage the motor before completely shutting down. If lid is raised before the motor is disengaged, it will resume when lid is closed.
PERFORMANCE	Possible Causes	What To Do
Clothes too wet	Incorrect spin cycle selected	<ul style="list-style-type: none"> • Make sure the spin cycle selected matches the load you are washing. Some fabrics will feel wetter when rinsed with cold water.
	Incorrect use of fabric softener	<ul style="list-style-type: none"> • Check fabric softener package for instructions and follow directions for using dispenser. • Pretreat stain and rewash.
Colored spots	Dye transfer	<ul style="list-style-type: none"> • Sort whites or lightly colored items from dark colors.
	Not enough detergent	<ul style="list-style-type: none"> • Use more detergent (especially with larger loads). Be sure to follow detergent manufacturer's directions.
Grayed or yellowed clothes	Hard water	<ul style="list-style-type: none"> • Use a water conditioner like Calgon brand or install a water softener.
	Water is not hot enough	<ul style="list-style-type: none"> • Make sure water heater is delivering water at 120°F–140°F (48°C–60°C).
	Washer is overloaded	<ul style="list-style-type: none"> • Select load size to match clothes load.
	Detergent is not dissolving	<ul style="list-style-type: none"> • Add detergent as wash basket fills with water before you load clothes. • Try a liquid detergent. • Use warmer water temperature.
	Dye transfer	<ul style="list-style-type: none"> • Sort clothes by color. If fabric label states <i>wash separately</i>, unstable dyes may be indicated.
	Lint or residue on clothes	Clothes are air or line dried
Incorrect sorting		<ul style="list-style-type: none"> • Separate lint producers from lint collectors.
Washing too long		<ul style="list-style-type: none"> • Wash small loads for a shorter time than larger loads.
Detergent not dissolving		<ul style="list-style-type: none"> • Add detergent as wash basket fills with water, before you load clothes. • Try a liquid detergent. • Use warmer water temperature.
Overloading		<ul style="list-style-type: none"> • Load clothes no higher than the top row of holes in the washer basket. • Make sure load size selected matches clothes load size.
Incorrect use of fabric softener		<ul style="list-style-type: none"> • Check fabric softener package for instructions and follow directions for using dispenser.

Before you call for service...



Troubleshooting Tips

PERFORMANCE (cont.)	Possible Causes	What To Do
Pilling	Result of normal wear on poly-cotton blends and fuzzy fabrics	<ul style="list-style-type: none"> While this is not caused by the washer, you can slow the pilling process by washing garments inside out.
Snags, holes, tears, rips or excessive wear	Pins, snaps, hooks, sharp buttons, belt buckles, zippers and sharp objects left in pockets	<ul style="list-style-type: none"> Fasten snaps, hooks, buttons and zippers. Remove loose items like pins, objects in pockets and sharp buttons. Turn knits (which snag easily) inside out.
	Undiluted chlorine bleach	<ul style="list-style-type: none"> Check bleach package instructions for proper amount. Never add undiluted bleach to wash or allow clothes to come in contact with undiluted bleach.
	Chemicals like hair bleach or dye, permanent wave solution	<ul style="list-style-type: none"> Rinse items that may have chemicals on them before washing.
Wrinkling	Improper sorting	<ul style="list-style-type: none"> Avoid mixing heavy items (like work clothes) with light items (like blouses). Try a fabric softener.
	Overloading or incorrect water level	<ul style="list-style-type: none"> Load your washer so clothes have enough room to move freely with water covering all of the clothes.
	Incorrect wash and dry cycles	<ul style="list-style-type: none"> Match Cycle selection to the type of fabric you are washing (especially for easy care loads).
	Repeated washing in water that is too hot	<ul style="list-style-type: none"> Wash in warm or cold water.
SOUNDS	Possible Causes	What To Do
"Metallic clicking"	Shifter mechanism is engaging or disengaging	<ul style="list-style-type: none"> The drive system will engage at the start of agitate and disengage when agitate is complete. This occurs multiple times during the wash.
Back and forth "swoosh" or light "clicking" sound during agitate	Electric motor reversing direction	<ul style="list-style-type: none"> This machine has a drive system that doesn't use gears. This sound is the motor rotating back and forth to agitate your laundry.
Quick short agitation sounds at end of agitate	Clothing redistribution	<ul style="list-style-type: none"> At the end of agitate, the motor makes short agitation strokes to redistribute the load.
"Click" when water stops filling	Relay switch	<ul style="list-style-type: none"> The relay makes a click sound when activated. The water level activates the relay and stops filling.
"Clicking" behind Control Panel during fill	Automatic Temperature Control Valve	<ul style="list-style-type: none"> This valve mixes in cold and hot water. The "clicking" is the valve turning on and off.
Water volume changes during fill	Automatic Temperature Control Valve	<ul style="list-style-type: none"> This valve mixes in cold and hot water. The sound changes when the valves are turned on and off.
Motor "whining up" or "coasting down" in spin	Motor ramping up/down during spin cycle	<ul style="list-style-type: none"> The motor will speed up incrementally during the spin cycle. When spin is complete, it will coast until it stops.
"Humming"	Water drain pump	<ul style="list-style-type: none"> The drain pump will make a humming sound when pumping out water after agitation stops and continue until spin is complete.
"Gurgling"	Water drain pump	<ul style="list-style-type: none"> When the pump starts drawing in air, it starts to gurgle. The washer should then begin spinning and the sound will continue until it is done spinning.

Safety Instructions

Operating Instructions

Troubleshooting Tips

Consumer Support

Consumer Support

Troubleshooting Tips

Operating Instructions

Safety Instructions

Notes.

GE Washer Warranty.



All warranty service provided by our Factory Service Centers, or an authorized Customer Care[®] technician. To schedule service, on-line, 24 hours a day, visit us at ge.com, or call **800.GE.CARES** (800.432.2737). Please have serial number and model number available when calling for service.

Staple your receipt here.
Proof of the original purchase date is needed to obtain service under the warranty.

For The Period Of: We Will Replace:

One Year

From the date of the original purchase

Any part of the washer which fails due to a defect in materials or workmanship. During this **limited one-year warranty**, we will also provide, **free of charge**, all labor and related service to replace the defective part.

What Is Not Covered:

- Service trips to your home to teach you how to use the product.
- Improper installation, delivery or maintenance.
- Failure of the product if it is abused, misused, or used for other than the intended purpose or used commercially.
- Replacement of house fuses or resetting of circuit breakers.
- Products which are not defective or broken, or which are working as described in the Owner's Manual.
- Damage to the product caused by accident, fire, floods or acts of God.
- Incidental or consequential damage caused by possible defects with this appliance.
- Defects or damage due to operation in freezing temperatures.
- Damage caused after delivery.
- Product not accessible to provide required service.

EXCLUSION OF IMPLIED WARRANTIES—Your sole and exclusive remedy is product repair as provided in this Limited Warranty. Any implied warranties, including the implied warranties of merchantability or fitness for a particular purpose, are limited to one year or the shortest period allowed by law.

This warranty is extended to the original purchaser and any succeeding owner for products purchased for home use within the USA. If the product is located in an area where service by a GE Authorized Servicer is not available, you may be responsible for a trip charge or you may be required to bring the product to an Authorized GE Service location. In Alaska, the warranty excludes the cost of shipping or service calls to your home.

Some states do not allow the exclusion or limitation of incidental or consequential damages. This warranty gives you specific legal rights, and you may also have other rights which vary from state to state. To know what your legal rights are, consult your local or state consumer affairs office or your state's Attorney General.

Warrantor: General Electric Company. Louisville, KY 40225

Consumer Support.



GE Appliances Website

ge.com

Have a question or need assistance with your appliance? Try the GE Appliances Website 24 hours a day, any day of the year! For greater convenience and faster service, you can now download Owner's Manuals, order parts or even schedule service on-line.



Schedule Service

ge.com

Expert GE repair service is only one step away from your door. Get on-line and schedule your service at your convenience 24 hours any day of the year! Or call 800.GE.CARES (800.432.2737) during normal business hours.



Real Life Design Studio

ge.com

GE supports the Universal Design concept—products, services and environments that can be used by people of all ages, sizes and capabilities. We recognize the need to design for a wide range of physical and mental abilities and impairments. For details of GE's Universal Design applications, including kitchen design ideas for people with disabilities, check out our Website today. For the hearing impaired, please call 800.TDD.GEAC (800.833.4322).



Extended Warranties

ge.com

Purchase a GE extended warranty and learn about special discounts that are available while your warranty is still in effect. You can purchase it on-line anytime, or call 800.626.2224 during normal business hours. GE Consumer Home Services will still be there after your warranty expires.



Parts and Accessories

ge.com

Individuals qualified to service their own appliances can have parts or accessories sent directly to their homes (VISA, MasterCard and Discover cards are accepted). Order on-line today, 24 hours every day or by phone at 800.626.2002 during normal business hours.

Instructions contained in this manual cover procedures to be performed by any user. Other servicing generally should be referred to qualified service personnel. Caution must be exercised, since improper servicing may cause unsafe operation.



Contact Us

ge.com

If you are not satisfied with the service you receive from GE, contact us on our Website with all the details including your phone number, or write to:
General Manager, Customer Relations
GE Appliances, Appliance Park
Louisville, KY 40225



Register Your Appliance

ge.com

Register your new appliance on-line—at your convenience! Timely product registration will allow for enhanced communication and prompt service under the terms of your warranty, should the need arise. You may also mail in the pre-printed registration card included in the packing material.



ge.com

Manual del propietario

Lavadoras

Instrucciones de seguridad2, 3

Instrucciones de operación
Ajustes de control4-7
Cómo cargar y usar la lavadora9
Cuidado y limpieza de la lavadora9
Funciones8
Panel de control4, 6

Consejos para la solución de problemas10-12

Soporte al consumidor
Garantía15
Soporte al consumidor16

Escriba el número de modelo y de serie aquí:

No. de modelo _____

No. de serie _____

Puede encontrarlos bajo la puerta de la lavadora.



INFORMACIÓN DE SEGURIDAD IMPORTANTE. LEA TODAS LAS INSTRUCCIONES ANTES DE USAR.

Seguridad

⚠ ¡ADVERTENCIA!

Por su seguridad, debe seguir las indicaciones de este manual para minimizar el riesgo de incendio o explosión, descarga eléctrica, o para evitar daños a la propiedad, lesiones personales, o muerte.



SEGURIDAD DEL CALENTADOR DE AGUA

En determinadas condiciones, en un calentador de agua que no se haya utilizado durante un mínimo de dos semanas se puede producir gas hidrógeno. El gas hidrógeno puede resultar explosivo en determinadas circunstancias.

Si el agua caliente no se ha utilizado por dos semanas o más, prevenga la posibilidad de sufrir daños o lesiones abriendo todos los grifos de agua caliente y dejándola correr durante varios minutos. Realice este proceso antes de utilizar cualquier electrodoméstico que se conecte al sistema de agua caliente. Este sencillo procedimiento le permitirá liberar todo el gas hidrógeno acumulado. Debido a que el gas es inflamable, no fume ni utilice ninguna llama o electrodoméstico durante el proceso.

Operación



INSTALACIÓN CORRECTA

La lavadora se debe instalar y colocar correctamente de acuerdo con las instrucciones de instalación, antes de utilizarla. Si no recibió la hoja con instrucciones de instalación, puede obtener una visitando ge.com o llamando al **800.GE.CARES** (800.432.2737).

- Instale o almacene la lavadora en un lugar donde no esté expuesta a temperaturas bajo cero ni a las inclemencias climáticas, ya que esto puede provocar daños irreversibles e invalidar la garantía.
- Conecte correctamente a tierra la lavadora de conformidad con todos los códigos y ordenanzas regulatorias. Siga la información de Instrucciones de instalación.

Solucionar problemas



ZONA DE LAVADERO

- Mantenga la zona por debajo y alrededor de sus electrodomésticos libres de materiales combustibles como pelusa, papel, trapos, productos químicos, etc.
- Es necesario vigilar con atención a los niños si utilizan la lavadora o se encuentran en las proximidades. No deje que los niños jueguen sobre éste u otro electrodoméstico, con él o en su interior.

Soporte al consumidor



AL UTILIZAR LA LAVADORA

Utilice este electrodoméstico sólo para el uso que se describe en este manual del propietario.

- No abra la lavadora mientras esté en movimiento. Espere a que se haya detenido por completo antes de abrir la puerta.
- No mezcle blanqueadores clorados con amoníaco o ácidos como vinagre o desoxidantes. La mezcla de distintos productos químicos puede producir gases tóxicos que pueden causar la muerte.
- No lave ni seque prendas que se hayan limpiado, lavado, empapado o manchado con sustancias inflamables o explosivas (como cera, aceite, pintura, gasolina, desengrasantes, disolventes de limpieza en seco, queroseno, etc.) que puedan prenderse o explosionar. No añada ninguna de estas sustancias al agua de lavado. No utilice ni coloque ninguna de estas sustancias en torno a la lavadora o la secadora durante el funcionamiento.
- El proceso de lavado puede reducir el tiempo previo a la inflamación de los tejidos. Para evitar este efecto, siga con atención las instrucciones de lavado y cuidado del fabricante de la prenda.
- Para minimizar la posibilidad de descarga eléctrica, desenchufe el electrodoméstico de la corriente o desconecte la lavadora en el panel de distribución de la vivienda quitando el fusible o apagando el interruptor antes de realizar cualquier tarea de mantenimiento o limpieza.

NOTA: El llevar la perilla selectora de ciclo a la posición OFF u oprimir PAUSE **NO** desconecta el electrodoméstico de la alimentación.
- No intente en ningún caso utilizar la lavadora si está dañada, funciona incorrectamente, está parcialmente desmontada, le faltan piezas o algunas están rotas, incluidos el cable o el enchufe.



CUANDO NO ESTÉ EN USO

- Cierre las llaves de paso para reducir la presión de las tuberías y las válvulas, y minimizar las fugas en caso de que se produzca una rotura o grieta. Compruebe el estado de las mangueras de llenado; GE recomienda el cambio de las mangueras cada 5 años.
- Antes de deshacerse de una lavadora o de desecharla, quite la puerta de la lavadora para evitar que los niños se escondan en su interior.
- No intente reparar ni sustituir ninguna pieza de este electrodoméstico, a menos que se recomiende de manera explícita en el manual del propietario o en instrucciones publicadas de uso y reparación que sean comprensibles y que pueda realizar usted.
- No manipule los controles.



LEA Y SIGA ESTA INFORMACIÓN DE SEGURIDAD CUIDADOSAMENTE.

CONSERVE ESTAS INSTRUCCIONES

Panel de control—para modelos que empieza con una perilla.



- Agregue el detergente
- Agregue el suavizante diluido (en modelos con dosificador para suavizante)



- Agregue ropa



- Seleccione el tamaño de carga y otras opciones de lavado
- Seleccione el ciclo de lavado



- Cierre la puerta
- Tire la perilla

Guía rápida



Controles

A Tamaño de carga

Cargue la ropa sin apretarla; no sobrepase la fila superior de orificios del cesto de la lavadora. El nivel de agua apenas debe cubrir la ropa. Ajuste el tamaño de la carga como corresponda.

B Temperatura (en algunos modelos)

Seleccione la temperatura del agua para los ciclos de lavado y enjuague. Cuando realice el lavado, observe siempre las instrucciones o rótulos de cuidados del fabricante del tejido.

C Opciones (en algunos modelos)

Opción de 2do enjuague

Cuando utiliza más detergente o blanqueador para limpiar ropa muy sucia, puede que desee utilizar la opción de 2do enjuague. Esto le proporciona un segundo enjuague profundo en frío.

D Ciclo de lavado—perilla selectora del ciclo

El gráfico de abajo le ayudará a combinar la configuración del ciclo de lavado con su ropa. El gráfico está ordenado desde el ciclo más largo al más corto e intensidad de lavado.

Su lavadora no puede tener todos estos ciclos. (Los ciclos varían según el modelo.)

PREWASH (PRELAVADO)	Para eliminar la suciedad superficial de prendas muy sucias. Asegúrese de seguir con un ciclo de lavado regular.
CASUALS (PRENDAS SPORT)	Para prendas sin arrugas y con planchado permanente y ropa de punto.
COTTONS (ALGODONES) o WHITES (ROPA BLANCA)	Para prendas, ropa de cama, de trabajo y de juego de algodón muy o medianamente sucias.
EASY CARE (CUIDADO FÁCIL)	Para prendas sin arrugas y con planchado permanente y ropa de punto.
DELICATES (DELICADAS)	Para ropa interior y telas que requieren cuidados especiales con suciedad leve a normal.
HAND WASH (LAVADO A MANO)	Para prendas etiquetadas con lavado a mano y suciedad leve. Proporciona períodos de agitación y remojo durante el lavado y el enjuague.
SPEED WASH (LAVADO RÁPIDO)	Para prendas poco sucias que se necesitan con urgencia.
SPIN (CENTRIFUGAR)	Para el desagüe del cesto metálico y el agua del centrifugado de la ropa.
DARK COLORS (COLORES OSCUROS)	Para prendas de algodón que se pueden desteñir y combinaciones y prendas marcadas para lavado en agua fría por el fabricante de la tela.
COLORS (COLORES)	Para prendas a prueba de arrugas y de planchado permanente, prendas de punto y de algodón.
RINSE SPIN (CENTRIFUGAR ENJUAGAR)	Para enjuagar rápidamente cloro, transpiración, manchas, etc. de las prendas.
15 MIN. / 30 MIN. AUTO SOAK (REMOJO AUTOMÁTICO DE 15 MIN. / 30 MIN.)	Para prendas muy sucias. Inicia con agitación, remojo por un período de tiempo determinado, luego avanza automáticamente por el resto del ciclo.
2ND RINSE (ENJUAGUE SEGUNDO)	Provee un enjuague secundario a fondo y automático para eliminar profundamente el detergente o blanqueador de las prendas.

Panel de control—para modelos que empieza con botón de START.



Controles

A Load Size (Tamaño de carga)

Cargue la ropa sin apretarla; no sobrepase la fila superior de orificios del cesto de la lavadora. El nivel de agua apenas debe cubrir la ropa. Ajuste el tamaño de la carga como corresponda.

B Temperature (Temperatura)

Seleccione la temperatura del agua para los ciclos de lavado y enjuague. Cuando realice el lavado, observe siempre las instrucciones o rótulos de cuidados del fabricante del tejido.

PerfectTemp detecta la temperatura del agua entrante y ajusta el agua de llenado para obtener una gama de temperaturas más precisa para todas las temperaturas de lavado. Por ejemplo, en la selección de lavado COLD (en frío), puede agregarse un poco de agua caliente para alcanzar la temperatura necesaria para disolver mejor los detergentes. A menudo, los detergentes no se disuelven por completo en agua muy fría, especialmente en climas con temperaturas más bajas.

Durante los meses de invierno, cuando el agua que recibe su hogar está más fría o en localidades con agua muy fría todo el año, use el **PerfectTemp** más COLD para ayudar a disolver los detergentes en polvo y limpiar mejor sus prendas.

La función **TAP COLD** desactiva la función **PerfectTemp** en su lavadora y usa la temperatura del agua corriente de su hogar para un lavado FRÍO. Esto puede proporcionar ahorros de energía al reducir la cantidad de agua caliente utilizada en su lavado.

C Options (Opciones)

Opción Autossoak (remojo automático) (en algunos modelos)

Esta opción comienza con una agitación breve, remoja por un período de tiempo especificado y continúa con el resto del ciclo automáticamente. En algunos modelos, esta opción se encuentra en la perilla selectora de ciclo.

Opción de 2do enjuague (en algunos modelos)

Cuando utiliza más detergente o blanqueador para limpiar ropa muy sucia, puede que desee utilizar la opción de 2do enjuague. Esto le proporciona un segundo enjuague profundo en frío.

Opción de centrifugado extendido (en algunos modelos)

Use esta opción para extraer más agua de sus prendas. Cuando se seleccione esta opción, las prendas saldrán más secas y se secarán más rápido en su secadora.

D Status Indicator Lights (Luces indicadoras de estado)

Las luces indicadoras de ciclo muestran en qué ciclo de lavado se encuentra la lavadora. Cuando se ajusta la perilla selectora a un ciclo nuevo, las luces indicadoras destellarán momentáneamente, indicando qué etapas efectuará el ciclo. En los modelos sin la opción **AUTO SOAK (REMOJO AUTOMÁTICO)**, no se encenderá la luz SOAK (REMOJO).



E Wash Cycle—Cycle Selector Knob (Ciclo de lavado—perilla selectora del ciclo)

El ciclo de lavado controla la duración e intensidad del proceso de lavado. La perilla puede ser girada en ambas direcciones. Si se gira la perilla selectora de ciclo después de comenzar, la lavadora se detendrá y el ciclo se reajustará de acuerdo con la nueva selección. Oprima **START** para comenzar la selección del ciclo nuevo.

El gráfico de abajo le ayudará a combinar la configuración del ciclo de lavado con su ropa. El gráfico está ordenado desde el ciclo más largo al más corto e intensidad de lavado. (Los ciclos varían según el modelo.)

PREWASH (PRELAVADO)	Para eliminar la suciedad superficial de prendas muy sucias. Asegúrese de seguir con un ciclo de lavado regular.
CASUALS	Para prendas sin arrugas y con planchado permanente y ropa de punto.
COTTONS (ALGODONES)	Para prendas, ropa de cama, de trabajo y de juego de algodón muy o medianamente sucias.
EASY CARE (CUIDADO FÁCIL)	Para prendas sin arrugas y con planchado permanente y ropa de punto.
DELICATES (DELICADAS)	Para ropa interior y telas que requieren cuidados especiales con suciedad leve a normal.
HAND WASH (LAVADO A MANO)	Para prendas etiquetadas con lavado a mano y suciedad leve. Proporciona períodos de agitación y remojo durante el lavado y el enjuague.
SPEED WASH (LAVADO RÁPIDO)	Para prendas poco sucias que se necesitan con urgencia.
DRAIN & SPIN OR SPIN ONLY (SECAR Y CENTRIFUGAR O CENTRIFUGAR SOLAMENTE)	Para el desagüe del cesto metálico y el agua del centrifugado de la ropa.
AUTO SOAK (REMOJO AUTOMÁTICO)	Para prendas muy sucias. Inicia con una agitación breve, remoja por un período de tiempo determinado, luego avanza automáticamente por el resto del ciclo.

F START (INICIO)

Oprima **START** para comenzar el ciclo. Al volver a oprimir **START** o levantar la puerta se **INTERRUMPIRÁ** el ciclo y la luz indicadora del ciclo titilará.

Para continuar el ciclo vuelva a oprimir **START** o cierre la puerta. Si la lavadora queda en pausa por más de 24 horas, el ciclo será cancelado. Para detener el ciclo, sostenga el botón oprimido por 3 segundos. Si queda agua en la lavadora, seleccione el ciclo **DRAIN & SPIN OR SPIN ONLY** para drenar el cesto y el agua de centrifugado del recipiente metálico de la lavadora.

Si se levante la puerta, la lavadora se detendrá la agitación o el centrifugado, pero no se interrumpirá el ciclo.

Funciones de la lavadora.



La tapa del agitador o dosificador del suavizante (dependiendo del modelo)

La **tapa del agitador** entra en la parte superior del agitador. Si se sale accidentalmente, simplemente vuelva a colocarla en su lugar.

El **dosificador de suavizante** libera automáticamente el suavizante líquido en el momento adecuado del ciclo.

No detenga la lavadora durante el primer centrifugado. Esto hará que el dosificador se vacíe antes de tiempo.

Para usarlo, siga estos pasos:

- 1 Asegúrese de que el dosificador esté bien adherido al agitador.
- 2 Use suavizante líquido exclusivamente. Viértalo en el dosificador, utilizando la cantidad recomendada en el envase.

No vierta el suavizante directamente sobre las prendas; ya que podría mancharlas.

- 3 Agregue agua al dosificador hasta que llegue a la línea de llenado máximo.



No vierta nada en el agitador si se retira la tapa del agitador o el dosificador.



Separe para la limpieza

Limpieza del dosificador de suavizante (en algunos modelos)

- 1 Retire el dosificador de la parte superior del agitador.
- 2 Separe la taza dosificadora de la cubierta tomando la parte superior y empujando con sus dedos hacia abajo, en el interior de la taza. La taza dosificadora se liberará de la cubierta.
- 3 Para limpiar el dosificador, remoje la taza y la cubierta dosificadora en la siguiente solución:
 - 1 galón (3,8 litros) de agua caliente
 - 1/4 taza (60 ml) de detergente líquido reforzado
 - 1 taza (240 ml) de blanqueador
- 4 Si es necesario, reduzca la acumulación con un paño suave y limpio después del remojo. No utilice un cepillo duro; podría dañar la superficie del dosificador.
- 5 Enjuague y vuelva a montar el dosificador. Vuelva a colocarlo sobre el agitador.

Embudo para el blanqueador líquido

El llenado de agua diluye el blanqueador líquido con cloro a medida que se va llenando para el ciclo de lavado.

- 1 Lea las etiquetas de cuidado de las prendas para determinar si hay instrucciones especiales.
- 2 Mida la cantidad de blanqueador líquido con todo cuidado siguiendo las instrucciones de la botella.
 - No vierta nunca blanqueador líquido con cloro sin diluir directamente sobre la ropa ni en el cesto de lavado.
 - No vierta blanqueador en polvo en el embudo del blanqueador.
- 3 Antes de encender la lavadora, vierta la cantidad medida de blanqueador directamente en el embudo. Evite salpicar o llenar el dosificador en exceso. Si prefiere usar blanqueador en polvo, agréguelo en el cesto de lavado con su detergente.
 - No mezcle blanqueador con cloro con amoníaco o ácidos como vinagre y/o removedor de óxido. La mezcla de químicos distintos puede producir un gas tóxico que cause la muerte.



Cómo cargar y usar la lavadora.

Siempre siga las instrucciones del fabricante de la ropa cuando lave.

ge.com



Separación de cargas

Separe por color (blancos, claros, colores), nivel de suciedad, tipo de tela (algodones rústicos, limpieza fácil, delicados) y si la tela produce pelusa (tela de toalla, felpilla) o junta pelusa (terciopelo, pana).



Uso correcto del detergente

Agregue detergente y encienda la lavadora antes de agregar las prendas para que el detergente pueda trabajar con eficacia. El uso de demasiado poco o cantidades excesivas de detergente es causa común de problemas con la colada.

Puede usar menos detergente si tiene agua blanda, una carga más liviana o ropa poco sucia.



Carga de la lavadora

Cargue la ropa sin apretarla; no sobrepase la fila superior de orificios del cesto de la lavadora. Cuando cargue prendas húmedas, asegúrese de establecer el nivel de agua/carga lo suficientemente alto para que las prendas se muevan con libertad. El nivel de agua apenas debe cubrir la ropa. Para agregar prendas después de que la lavadora haya arrancado, levante la puerta y sumerja las prendas adicionales junto al agitador.

- No envuelva prendas largas como sábanas o pantalones alrededor del agitador.
- No lave telas que contengan materiales inflamables (como cera, líquidos limpiadores, etc.).
- La agitación no comenzará si la puerta está levantada.

Cuidado y limpieza de la lavadora.



Cesto de lavado: Deje la tapa abierta después de lavar para que se evapore la humedad. Si desea limpiar el cesto, use un paño suave y limpio empapado en detergente líquido; luego enjuáguelo. (No use limpiadores duros.)

Mangueras de llenado: GE recomienda el cambio de las mangueras cada 5 años.

Exterior: Seque los derrames de inmediato. Séquelos con un paño húmedo. Evite golpear la superficie con objetos cortantes.

Traslado y almacenamiento: Pídale al técnico de servicio que elimine el agua de la bomba y las mangueras. Consulte las instrucciones de instalación que se incluyen con el producto para recibir información sobre cómo reinstalar la varilla de embarque para mantener el cesto metálico estacionario cuando se cambie la lavadora de lugar. Para mayor información, visite ge.com o llame al **800.GE.CARES** (800.432.2737). No guarde la lavadora donde pudiera quedar expuesta a las condiciones climáticas.

Vacaciones prolongadas: Asegúrese de cerrar la provisión de agua en los grifos. Drene toda el agua de las mangueras si la temperatura llegará a valores inferiores a cero.

Antes de llamar para solicitar servicio...



Consejos para la solución de problemas

¡Ahorre tiempo y dinero! Consulte primero las tablas de las páginas siguientes o visite **ge.com** y quizás no necesite llamar al servicio.

Seguridad

Operación

Solucionar problemas

Soporte al consumidor

AGUA	Causas posibles	Qué hacer
Demasiada espuma	Demasiado detergente	<ul style="list-style-type: none"> Mida el detergente con cuidado. Use menos jabón si tiene agua blanda, una carga más liviana o ropa poco sucia.
	Tipo de detergente	<ul style="list-style-type: none"> Cambie a una marca de detergente que haga menos espuma y siga las instrucciones en el envase.
	Agua blanda	<ul style="list-style-type: none"> Pruebe con menos detergente.
Fugas de agua	Demasiado detergente en la lavadora	<ul style="list-style-type: none"> Use menos detergente. Use menos jabón si tiene agua blanda, una carga más liviana o ropa poco sucia.
	La manguera de llenado o la de desagüe está mal conectada	<ul style="list-style-type: none"> Asegúrese de que las conexiones de la manguera estén firmes en los grifos y que las arandelas de goma estén instaladas. Asegúrese de que el extremo de la manguera de desagüe esté insertado como corresponde y bien seguro al desagüe.
	El desagüe de la casa está tapado	<ul style="list-style-type: none"> Examine la tubería de la casa. Tendrá que llamar al fontanero.
	Presión de agua constante a las mangueras de llenado en la fuente de agua	<ul style="list-style-type: none"> Ajuste las mangueras a los grifos y cierre el agua después de cada uso. Verifique la condición de las mangueras de llenado; se deben reemplazar cada 5 años.
La temperatura del agua parece incorrecta	Temperaturas más frías del agua proporcionan mayor eficiencia energética	<ul style="list-style-type: none"> Se han formulado nuevos detergentes para colada que trabajan con temperaturas más frías del agua sin afectar el rendimiento del lavado.
	La provisión de agua está cerrada o mal conectada	<ul style="list-style-type: none"> Abra los grifos de agua caliente y fría y asegúrese de que las mangueras están conectadas a los grifos correctos.
	Los filtros de malla de la válvula de agua están tapados	<ul style="list-style-type: none"> Cierre la fuente de agua y retire las mangueras de conexión de agua de la parte superior trasera de la lavadora. Use un cepillo o mondadientes para limpiar los filtros de malla de la lavadora. Vuelva a conectar las mangueras y abra el agua de nuevo.
	El calentador de agua de la casa no está configurado correctamente	<ul style="list-style-type: none"> Asegúrese de que el calentador esté suministrando agua a 120°F–140°F (48°C–60°C).
Agua bombeada antes de completarse el ciclo	La puerta está levantada o el ciclo se puso en pausa por más de 24 horas	<ul style="list-style-type: none"> Reconfigure el ciclo.
El agua no dreña	La manguera de desagüe está doblada o mal conectada	<ul style="list-style-type: none"> Enderece la manguera de desagüe y asegúrese de que la lavadora no esté apoyada sobre ella. La parte superior de la salida del desagüe debe estar a menos de 8 pies (2,5 m) por encima del piso.
La lavadora se interrumpe durante el ciclo de lavado	Se eligió el ciclo PREWASH o la opción AUTO SOAK	<ul style="list-style-type: none"> Esto es normal. La lavadora alterna entre agitar y remojar durante estos ciclos para que sus prendas se limpien mejor con menos desgaste.
La lavadora se interrumpe durante el ciclo de centrifugado	Esto es normal	<ul style="list-style-type: none"> La lavadora puede hacer pausas durante el ciclo de centrifugado para eliminar el agua jabonosa con más eficiencia.

OPERACIÓN	Causas posibles	Qué hacer
La lavadora no funciona	La lavadora no está enchufada	• Asegúrese de que el cable esté bien enchufado a un tomacorriente que funcione.
	La fuente de agua está cerrada	• Abra por completo los grifos de agua fría y caliente.
	Los controles no están bien puestos	• Verifique los controles.
	La puerta está abierta—una característica de seguridad impide la agitación y centrifugado cuando la puerta está levantada	• Cierre la puerta y vuelva a iniciar el ciclo desde el comienzo, si es necesario.
	El disyuntor/fusible está cortado/quemado	• Verifique el disyuntor/fusibles. Reemplace los fusibles o reajuste el disyuntor. La lavadora debe tener un tomacorriente separado.
	Hay que reajustar la electrónica	• Desenchufe la lavadora, espere 2 minutos, vuelva a enchufarla y oprima START .
	No se oprimió START	• Oprima START .
Falta el imán de la puerta	• Llame a servicio.	
No aparece el tiempo en la pantalla	Llenado de la unidad	• Esto es normal. El tiempo estimado que queda se actualiza durante el tiempo de llenado.
Movimiento dentro de la máquina cuando se apaga	El mecanismo de conmutación desengancha el motor	• Cuando la máquina se apaga manualmente, la conmutación desengancha el motor antes de apagarse por completo. Si se levanta la puerta antes de que el motor se desenganche, volverá a funcionar cuando se cierre la puerta.
RENDIMIENTO	Causas posibles	Qué hacer
La ropa está demasiado mojada	Ciclo de centrifugado seleccionado incorrecto	• Asegúrese que el ciclo de centrifugado seleccionado coincida con la carga que está lavando. Algunas telas se sentirán más húmedas cuando se enjuaguen con agua fría.
Manchas de colores	Uso incorrecto del tejido suavizante	• Lea las instrucciones en el envase del suavizante y siga las recomendaciones para el uso del dosificador. • Trate las manchas previamente y vuelva a lavar las prendas.
	Transferencia de colores	• Separe las prendas blancas o de colores claros de las de colores oscuros.
Prendas grises o amarillentas	No hay detergente suficiente	• Use más detergente (en especial con cargas más grandes). Asegúrese de seguir las instrucciones del fabricante del detergente.
	Agua pesada	• Use un acondicionador de agua como Calgon o instale un suavizador de agua.
	El agua no está lo suficientemente caliente	• Asegúrese de que el calentador de agua esté suministrando agua a 120°F–140°F (48°C–60°C).
	La lavadora está sobrecargada	• Seleccione el tamaño de la carga que coincida con la carga de prendas.
	El detergente no se disuelve	• Agregue detergente mientras el cesto se llena de agua antes de cargar las prendas.
Pelusa o residuos en las prendas	Transferencia de colores	• Separe las prendas por color. Si la etiqueta de la tela indica <i>lavar separadamente</i> , pueden estar indicados los colores inestables.
	Las prendas son secadas al aire o en el tendedor	• Si no seca su colada con una secadora, sus prendas pueden retener más pelusa.
	Separación incorrecta	• Separe los productores de pelusa de los que la captan.
	Lavado demasiado prolongado	• Lave cargas pequeñas por menos tiempo que las más grandes.
	El detergente no se disuelve	• Agregue detergente mientras el cesto se llena de agua antes de cargar las prendas. • Pruebe un detergente líquido. • Use una temperatura del agua más caliente.
	Sobrecarga	• Cargue la ropa sin sobrepasar la fila superior de orificios del cesto de la lavadora. • Asegúrese de que el tamaño de carga seleccionado coincida con el de las prendas.
	Uso incorrecto del tejido suavizante	• Lea las instrucciones en el envase del suavizante y siga las recomendaciones para el uso del dosificador.

Antes de llamar para solicitar servicio...



Consejos para la solución de problemas

Seguridad

Operación

Solucionar problemas

Soporte al consumidor

RENDIMIENTO (cont.)	Causas posibles	Qué hacer
<i>Formación de bolitas</i>	Resultado del desgaste normal de mezclas de algodón y poliéster telas con pelusa	<ul style="list-style-type: none"> • Si bien esto no se debe a la lavadora, puede reducir la velocidad del proceso de formación de bolitas lavando las prendas dadas vuelta.
<i>Enganches, agujeros, desgarros, rasgones o desgaste excesivo</i>	Alfileres, broches, ganchos, botones cortantes, hebillas de cinturón, cierres y objetos cortantes dejados en los bolsillos	<ul style="list-style-type: none"> • Cierre broches, ganchos, botones y cierres. • Retire los objetos sueltos como alfileres, objetos en los bolsillos y botones cortantes. • De vuelta las prendas de punto (que se enganchan fácilmente).
	Blanqueador con cloro no diluido	<ul style="list-style-type: none"> • Vea las instrucciones en el envase del blanqueador para ver la cantidad correcta. • No agregue blanqueador sin diluir a la colada ni permita que las prendas entren en contacto con el blanqueador sin diluir.
	Químicos como el blanqueador para el cabello o tintura, solución para permanente	<ul style="list-style-type: none"> • Enjuague las prendas que puedan tener químicos antes de lavarlas.
<i>Arrugas</i>	Separación incorrecta	<ul style="list-style-type: none"> • Evite mezclar las prendas pesadas (como ropa de trabajo) con otras livianas (como blusas). • Pruebe con un suavizante.
	Sobrecarga o nivel de agua incorrecto	<ul style="list-style-type: none"> • Cargue su lavadora para que las prendas tengan espacio suficiente para moverse con el agua cubriéndolas todas.
	Ciclos de lavado y secado incorrectos	<ul style="list-style-type: none"> • Haga coincidir la selección del ciclo con el tipo de tela que esté lavando (especialmente para cargas fáciles de limpiar).
	Lavado repetido en agua demasiado caliente	<ul style="list-style-type: none"> • Lave en agua tibia o fría.
SONIDOS	Causas posibles	Qué hacer
<i>"Clic metálico"</i>	El mecanismo de conmutación está enganchado o suelto	<ul style="list-style-type: none"> • El sistema de transmisión se engancha al inicio de la agitación y se suelta cuando ésta se completa. Esto ocurre varias veces durante el lavado.
<i>"Silbidos" oscilantes o sonido ligero "clic" durante el agitación</i>	El motor eléctrico revierte la dirección	<ul style="list-style-type: none"> • Esta máquina tiene un sistema de transmisión que no usa engranajes. Éste es el sonido que hace el motor al rotar hacia atrás para la lavado.
<i>Sonido de agitación corto al final de la agitación</i>	Redistribución de la ropa	<ul style="list-style-type: none"> • Al final de la agitación, el motor hace golpes de agitación cortos para distribuir la carga.
<i>Hace un chasquido cuando el agua deja de llenarse</i>	Relé	<ul style="list-style-type: none"> • El relé hace un chasquido cuando se activa. El nivel de agua activa al relé y deja de llenarse.
<i>Sonido de "clic" detrás el panel de control mientras llena</i>	Válvula de control de la temperatura del agua	<ul style="list-style-type: none"> • Esta válvula mezcla el agua fría y la caliente. El "clic" es la válvula que se abre y se cierra.
<i>El volumen de agua cambia durante el llenado</i>	Válvula de control de la temperatura del agua	<ul style="list-style-type: none"> • Esta válvula mezcla el agua fría y la caliente. El sonido cambia cuando la válvula se abre y se cierra.
<i>El motor "aúlla" o "se mueve" durante el centrifugado</i>	El motor cambia la velocidad durante el ciclo de centrifugado	<ul style="list-style-type: none"> • El motor va aumentando la velocidad durante el ciclo de centrifugado. Cuando el centrifugado se completa, se irá deteniendo hasta que pare.
<i>"Zumbido"</i>	Bomba de desagüe	<ul style="list-style-type: none"> • La bomba de desagüe hará un zumbido cuando elimine el agua tras la agitación y continuará hasta que se complete el centrifugado.
<i>"Gorgoteo"</i>	Bomba de desagüe	<ul style="list-style-type: none"> • Cuando la bomba comienza a aspirar aire, hace un gorgoteo. La lavadora comenzará el centrifugado y el sonido continuará hasta que se complete el centrifugado.

Seguridad

Operación

Solucionar problemas

SopORTE al consumidor

Notas.

<i>Seguridad</i>	<i>Operación</i>	<i>Solucionar problemas</i>	<i>Soporte al consumidor</i>
------------------	------------------	-----------------------------	------------------------------

Garantía de la lavadora GE.



Todos los servicios de garantía se ofrecen a través de nuestros centros de asistencia técnica o un técnico autorizado de Customer Care®. Para programar servicio, en línea y las 24 horas, visite la página **ge.com** o llame al **800.GE.CARES** (1.800.432.2737). Cuando llame para solicitar servicio, por favor tenga a mano el número de serie y el número de modelo.

Engrape el recibo aquí.
Se necesita el comprobante con la fecha de compra original para que la garantía cubra los servicios.

Por el período de: **Reemplazaremos:**

Un año
De la fecha de la compra original

Cualquier parte de la lavadora que falle debido a defectos en los materiales o en la fabricación. Durante esta **garantía limitada de un año**, GE también proporcionará, **sin costo alguno**, toda la mano de obra y servicios relacionados con el reemplazo de las partes defectuosas.

Lo que no está cubierto:

- Viajes del personal de servicio a su casa para enseñarle cómo usar su producto.
- Instalación, entrega o mantenimiento inapropiada.
- Fallas del producto si es maltratado, mal usado, o usado para un propósito diferente del que se creó o si es usado para usos comerciales.
- Cambio de los fusibles de su casa o reajuste del circuito de interruptores.
- Productos sin defectos o rotos, o los cuales se encuentran funcionando como se indica en el Manual del propietario.
- Daños al producto causados por accidentes, incendios, inundaciones o actos de la naturaleza.
- Daños imprevistos resultantes causados por posibles defectos con este electrodoméstico.
- Defectos o daños debido a la puesta en funcionamiento a temperaturas de congelación.
- Daños causados después del envío.
- Producto no accesible para facilitar el servicio requerido.

EXCLUSIÓN DE GARANTÍAS IMPLÍCITAS—Su único y exclusivo derecho es la reparación del producto, tal y como se indica en esta Garantía limitada. Cualquier garantía implícita, incluyendo las garantías implícitas de comerciabilidad o adecuación para un fin determinado, están limitadas a un año o el período de tiempo más breve permitido por la ley.

Esta garantía se extiende al comprador original y a cualquier propietario subsecuente para productos comprados para uso doméstico dentro Estados Unidos. Si el producto está situado en un área que no dispone de servicio por parte de un proveedor de servicio autorizado de GE, podría tener que hacerse cargo de los costes de envío o bien podría solicitarse que lleve el producto a un centro de servicio de GE autorizado para realizar la reparación. En Alaska, la garantía excluye el costo de envío o las visitas de servicio a su casa.

Algunos estados no permiten la exclusión o limitación de daños imprevistos. Esta garantía le da sus derechos legales específicos, y es posible que usted tenga otros derechos legales que varían de estado a estado. Para informarse de cuáles son sus derechos legales, consulte a su oficina de asuntos del consumidor local o estatal o póngase en contacto con la Oficina de su Procurador General.

Garante: General Electric Company. Louisville, KY 40225

Soporte al consumidor.



Página Web de GE Appliances

ge.com

¿Tiene alguna pregunta sobre su electrodoméstico? ¡Pruebe la página Web de GE Appliances 24 horas al día, cualquier día del año! Para mayor conveniencia y servicio más rápido, ya puede descargar los Manuales de los Propietarios, pedir piezas o incluso hacer una cita en línea para que vengan a realizar una reparación.



Solicite una reparación

ge.com

El servicio de expertos GE está a tan sólo un paso de su puerta. ¡Entre en línea y solicite su reparación cuando le venga bien 24 horas al día cualquier día del año! O llame al 800.GE.CARES (800.432.2737) durante horas normales de oficina.



Real Life Design Studio (Estudio de diseño para la vida real)

ge.com

GE apoya el concepto de Diseño Universal—productos, servicios y ambientes que pueden usar gente de todas las edades, tamaños y capacidades. Reconocemos la necesidad de diseñar para una gran gama de habilidades y dificultades físicas y mentales. Para más detalles sobre las aplicaciones de GE Diseño Universal, incluyendo ideas de diseño para la cocina para personas con discapacidades, mire nuestra página Web hoy mismo. Para personas con dificultades auditivas, favor de llamar al 800.TDD.GEAC (800.833.4322).



Garantías ampliadas

ge.com

Compre una garantía ampliada y obtenga detalles sobre descuentos especiales disponibles mientras su garantía está aún activa. Puede comprarla en línea en cualquier momento, o llamar al 800.626.2224 durante horas normales de oficina. GE Consumer Home Services estará aún ahí cuando su garantía termine.



Piezas y accesorios

ge.com

Aquellos individuos con la calificación necesaria para reparar sus propios electrodomésticos pueden pedir que se les manden las piezas o accesorios directamente a sus hogares (aceptamos las tarjetas VISA, MasterCard y Discover). Haga su pedido en línea hoy, 24 horas cada día o llamar por teléfono al 800.626.2002 durante horas normales de oficina.

Las instrucciones descritas en este manual cubren los procedimientos a seguir por cualquier usuario. Cualquier otra reparación debería, por regla general, referirse a personal calificado autorizado. Debe ejercerse precaución ya que las reparaciones incorrectas pueden causar condiciones de funcionamiento inseguras.



Póngase en contacto con nosotros

ge.com

Si no está satisfecho con el servicio que recibe de GE, póngase en contacto con nosotros en nuestra página Web indicando todos los detalles así como su número de teléfono o escríbanos a:

General Manager, Customer Relations
GE Appliances, Appliance Park
Louisville, KY 40225



Registre su electrodoméstico

ge.com

¡Registre su nuevo electrodoméstico en línea—cuando usted prefiera! El registrar su producto a tiempo le proporcionará, si surgiera la necesidad, una mejor comunicación y un servicio más rápido bajo los términos de su garantía. También puede enviar su tarjeta de registro pre-impresa que se incluye en el material de embalaje.