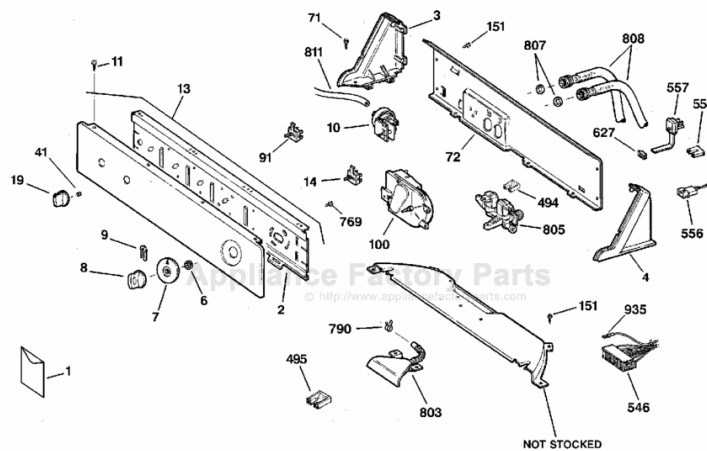


This Owner's Manual is provided and hosted by [Appliance Factory Parts](http://www.ApplianceFactoryParts.com).



# GE WHDRR418G5WW Owner's Manual

[Shop genuine replacement parts for GE  
WHDRR418G5WW](#)

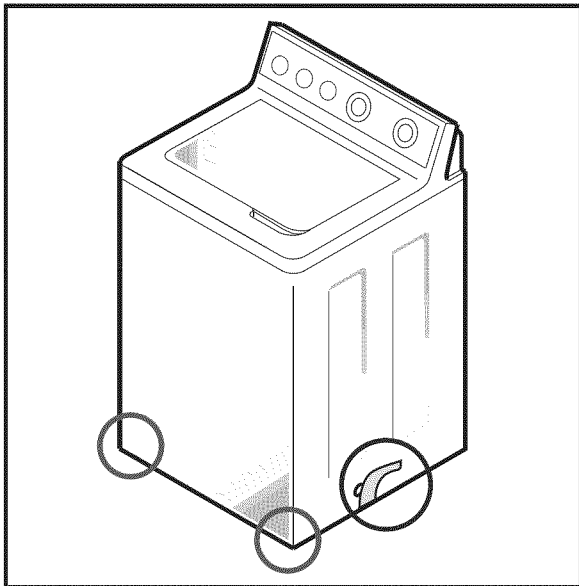


(ART NO. WH6321 C5)

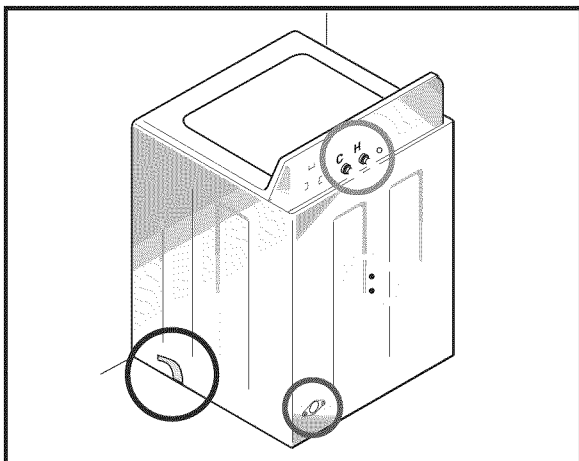
NOTE: HARNESS WIRE WH19X0163

[Find Your GE Washer Parts - Select From 4591 Models](#)

----- Manual continues below -----



Circles or ovals are color matched between pictures to help show location on product



## Tools you will need

Phillips Head  
Screwdriver or 1/4"  
Nut Driver

Slip Joint  
Pliers

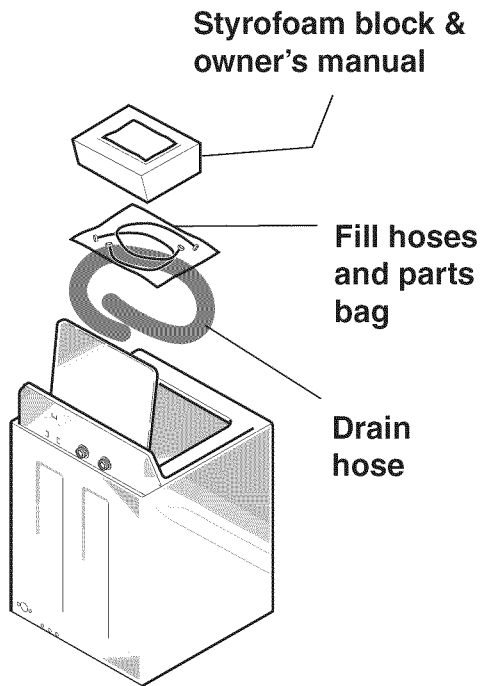
Level

## GROUNDING INSTRUCTIONS

This appliance must be grounded. In the event of malfunction or breakdown, grounding should reduce the risk of electric shock by providing a path of least resistance for electric current. This appliance is equipped with a cord having an equipment-grounding conductor and a grounding plug. The plug must be plugged into an appropriate outlet that is properly installed and grounded in accordance with all local codes and ordinances.

**WARNING** – Improper connection of equipment-grounding conductor can result in a risk of electric shock. Check with a qualified electrician or serviceman if you are in doubt as to whether the appliance is properly grounded.

## 1. Unpack your washer



Styrofoam block &  
owner's manual

Fill hoses  
and parts  
bag

Drain  
hose

## 2. Remove bottom



Remove ro  
yellow pl

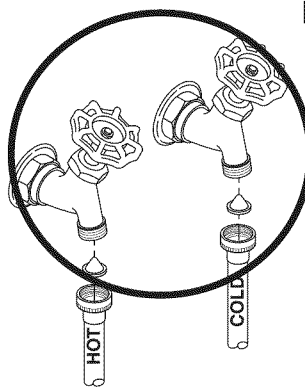
Avoid a



Repair!

Remo  
in pla  
damo

## 5. Connect water supply hoses to wall faucets



Install screens.  
(Screens  
should be  
brand new.  
Replace  
them if  
they are old  
or worn).  
Use pliers to  
tighten 1/2  
turn beyond  
hand-tight

Avoid a



Repair!

Install screen washers; without them debris will clog the valve and flooding will occur

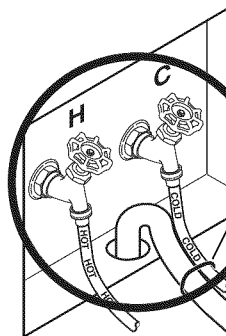
Avoid a



Repair!

Do not mix hot and cold water supplies. Mixing them will result in poor wash performance

## 6. Conne to drain



Avoid a



Repair!

Meet  
requ  
with  
prop