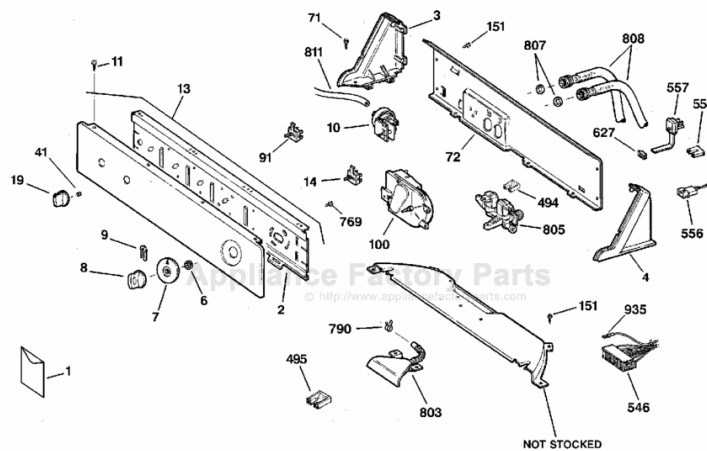


This Owner's Manual is provided and hosted by [Appliance Factory Parts](http://Appliance Factory Parts).



# GE WHDRR418G6WW Owner's Manual

[Shop genuine replacement parts for GE  
WHDRR418G6WW](#)

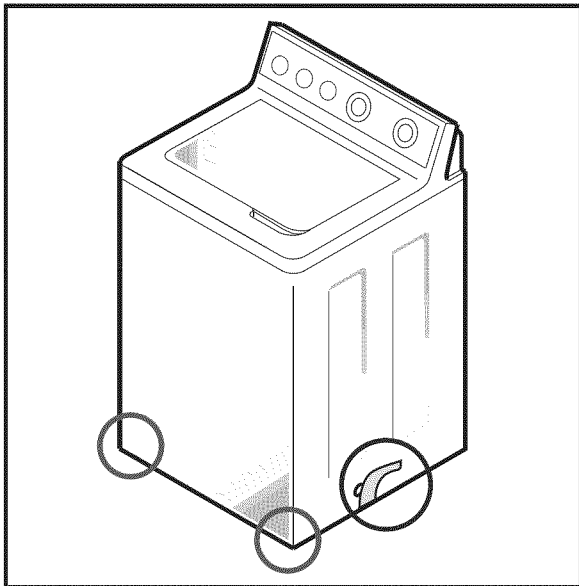


(ART NO. WH6321 C5)

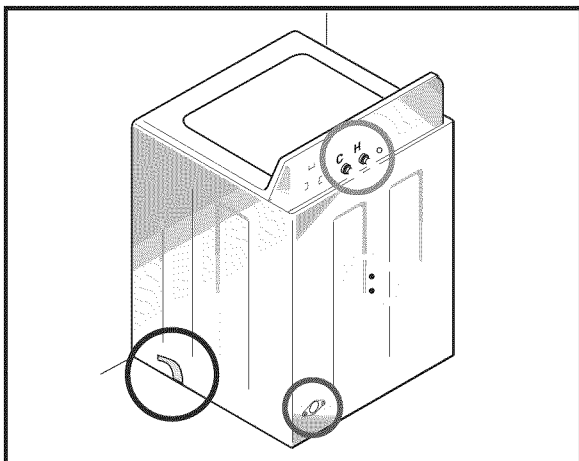
NOTE: HARNESS WIRE WH19X0163

[Find Your GE Washer Parts - Select From 4591 Models](#)

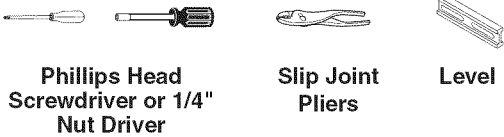
----- Manual continues below -----



Circles or ovals are color matched between pictures to help show location on product



## Tools you will need

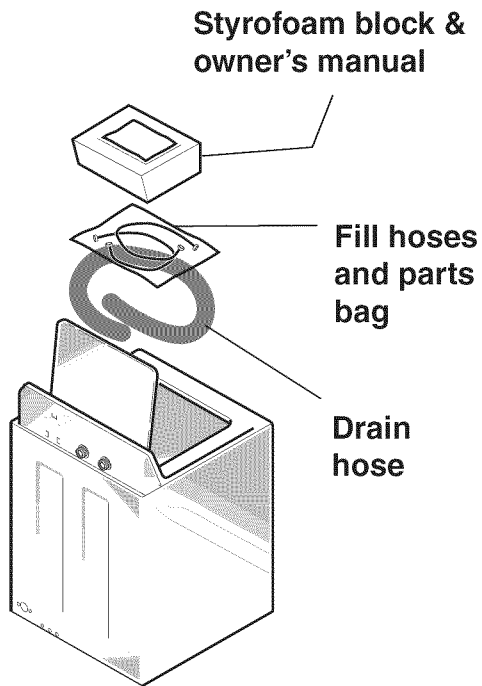


### GROUNDING INSTRUCTIONS

This appliance must be grounded. In the event of malfunction or breakdown, grounding should reduce the risk of electric shock by providing a path of least resistance for electric current. This appliance is equipped with a cord having an equipment-grounding conductor and a grounding plug. The plug must be plugged into an appropriate outlet that is properly installed and grounded in accordance with all local codes and ordinances.

**WARNING** – Improper connection of equipment-grounding conductor can result in a risk of electric shock. Check with a qualified electrician or serviceman if you are in doubt as to whether the appliance is properly grounded.

## 1. Unpack your washer



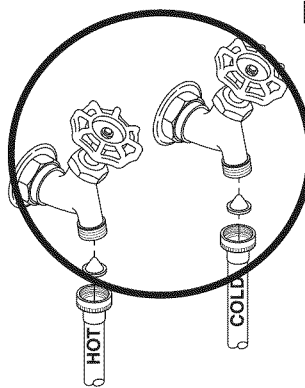
## 2. Remove bottom panel



Avoid a Repair!

Remove in place to avoid damage

## 5. Connect water supply hoses to wall faucets



Install screens. (Screens should be brand new. Replace them if they are old or worn). Use pliers to tighten 1/2 turn beyond hand-tight

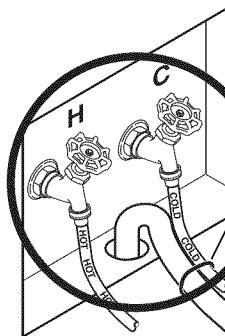
Avoid a Repair!

Install screen washers; without them debris will clog the valve and flooding will occur

Avoid a Repair!

Do not mix hot and cold water supplies. Mixing them will result in poor wash performance

## 6. Connect hoses to drain



Avoid a Repair!

Meet requirements for proper installation