



Washers

Safety Instructions 2, 3

Operating Instructions

Control Panels 4, 5
Control Settings 6, 7
Features 8-10
Loading and Using the Washer ... 10, 11
Cleaning the Washer 12-14

Installation Instructions 15-20

Preparing to Install Your Washer 15
Rough-In Dimensions 16
Location of Your Washer 16
Unpacking Your Washer 17
Drain Requirements 18
Electrical Requirements 18
Water Supply Requirements 18
Installing the Washer 19, 20
Replacement Parts 20

Troubleshooting Tips 21-24

Consumer Support

Warranty 25
Service Telephone Numbers 26

Owner's Manual & Installation Instructions

- GFWN1000
- WBVH5200
- WBVH5300
- WCVH6400
- WCVH6800
- WHDVH680



As an ENERGY STAR® partner, GE has determined that this product meets the ENERGY STAR® guidelines for energy efficiency.

Write the model and serial numbers here:

Model # _____

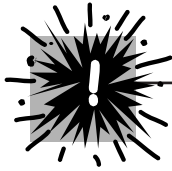
Serial # _____

You can find them on a label on the side of the washer.

IMPORTANT SAFETY INFORMATION. READ ALL INSTRUCTIONS BEFORE USING.

⚠ WARNING! For your safety, the information in this manual must be followed to minimize the risk of fire or explosion, electric shock, or to prevent property damage, personal injury or loss of life.

The instructions in this manual and all other literature included with this washer are not meant to cover every possible condition and situation that may occur. Good, safe practices and caution **MUST** be applied when installing, operating and maintaining any appliance.



WATER HEATER SAFETY

Under certain conditions, hydrogen gas may be produced in a water heater that has not been used for two weeks or more. Hydrogen gas can be explosive under these circumstances.

If the hot water has not been used for two weeks or more, prevent the possibility of damage or injury by turning on all hot water faucets and allowing them to run for several minutes. Do this before using any electrical appliance which is connected to the hot water system. This simple procedure will allow any built-up hydrogen gas to escape. Since the gas is flammable, do not smoke or use an open flame or appliance during this process.



PROPER INSTALLATION

This washer must be properly installed and located in accordance with the Installation Instructions before it is used.

- Install or store where it will not be exposed to temperatures below freezing or exposed to the weather, which could cause permanent damage and invalidate the warranty.
- Properly ground washer to conform with all governing codes and ordinances. Follow details in Installation Instructions.



YOUR LAUNDRY AREA

- Keep the area underneath and around your appliances free of combustible materials such as lint, paper, rags and chemicals.
- Close supervision is necessary if this appliance is used by or near children. Do not allow children to play on, with or inside this or any other appliance.
- Do not leave the washer door open. An open door could entice children to hang on the door or crawl inside the washer.



WHEN USING THE WASHER

Use this appliance only for its intended purpose as described in this Owner's Manual.

- Never reach into washer while it is moving. Wait until the machine has completely stopped before opening the door.
- Do not mix chlorine bleach with ammonia or acids such as vinegar and/or rust remover. Mixing different chemicals can produce a toxic gas which may cause death.
- Do not wash or dry articles that have been cleaned in, washed in, soaked in or spotted with combustible or explosive substances (such as wax, oil, paint, gasoline, degreasers, dry-cleaning solvents, kerosene, etc.) which may ignite or explode. Do not add these substances to the wash water. Do not use or place these substances around your washer or dryer during operation.
- The laundry process can reduce the flame retardancy of fabrics. To avoid such a result, carefully follow the garment manufacturer's wash and care instructions.
- To minimize the possibility of electric shock, unplug this appliance from the power supply or disconnect the washer at the building's distribution panel by removing the fuse or switching off the circuit breaker before attempting any maintenance or cleaning. **NOTE:** Pressing the power button does **NOT** disconnect the appliance from the power supply.
- Never attempt to operate this appliance if it is damaged, malfunctioning, partially disassembled, or has missing or broken parts, including a damaged cord or plug.
- Do not slam the washer door closed. Do not try to force the door open when locked (LOCKED indicator ON). This could result in damage to the washer.
- The washer is equipped with an electrical overload protector. The motor will stop if it becomes overheated. The washer will automatically restart after a cool-down period of up to 2 hours, if the washer has not been manually turned off during this time.



WHEN NOT IN USE

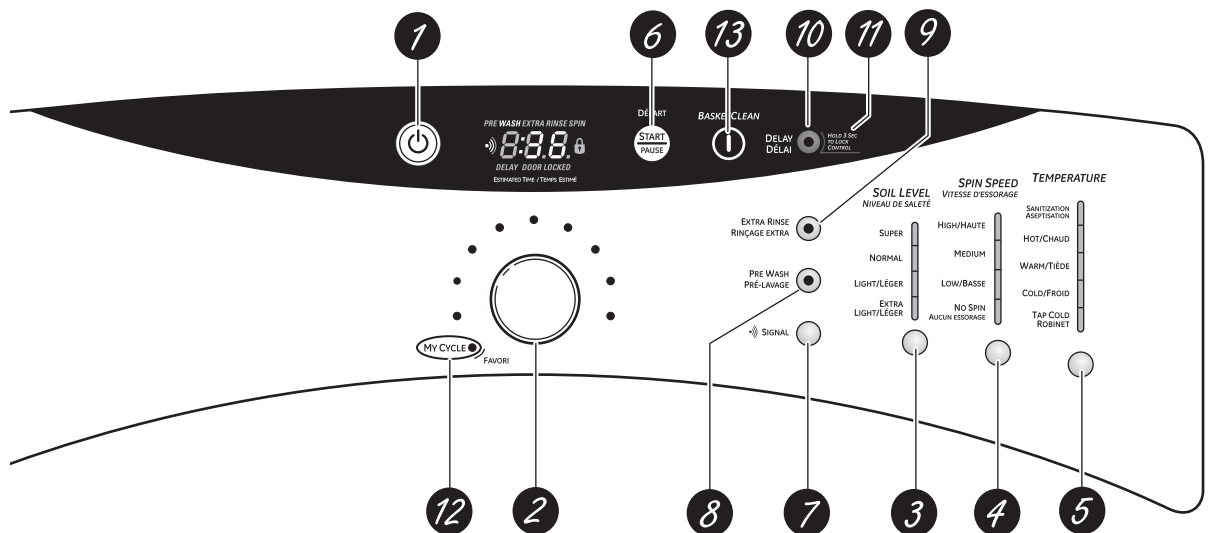
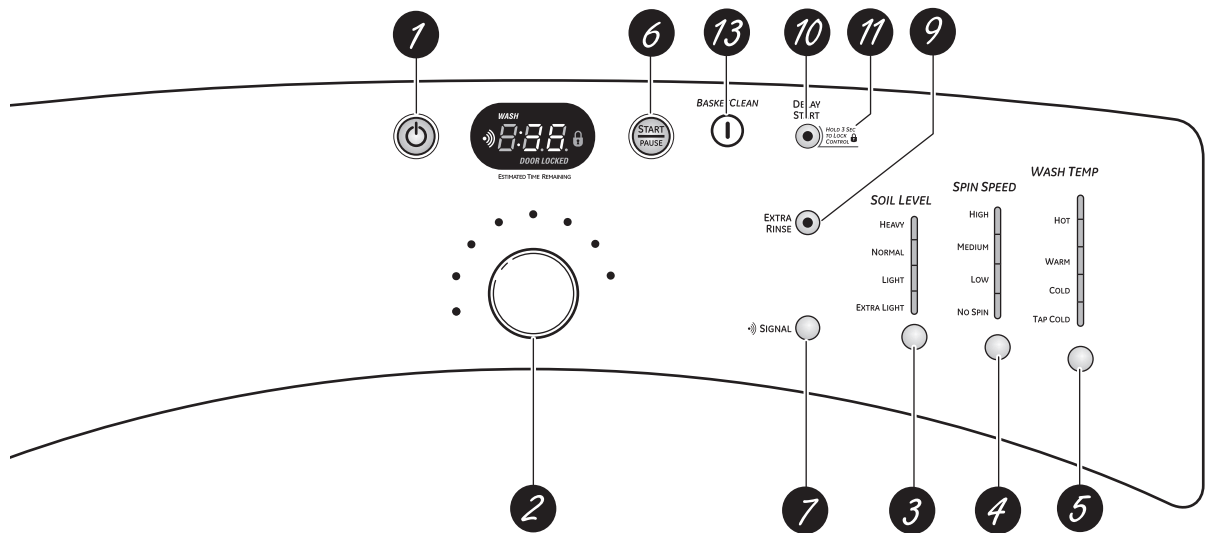
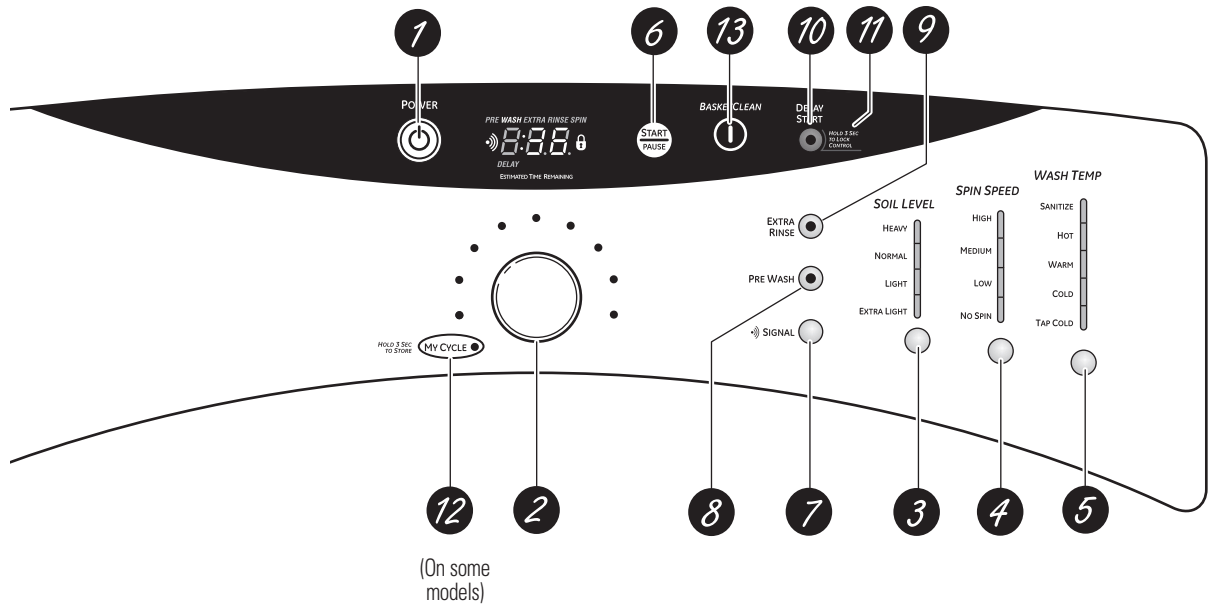
- Turn off water faucets to relieve pressure on hoses and valves and to minimize leakage if a break or rupture should occur. Check the condition of the fill hoses; GE recommends changing the hoses every 5 years.
- Before discarding a washer, or removing it from service, remove the washer door to prevent children from hiding inside.
- Do not attempt to repair or replace any part of this appliance unless specifically recommended in this Owner's Manual, or in published user-repair instructions that you understand and have the skills to carry out.
- Do not tamper with controls.

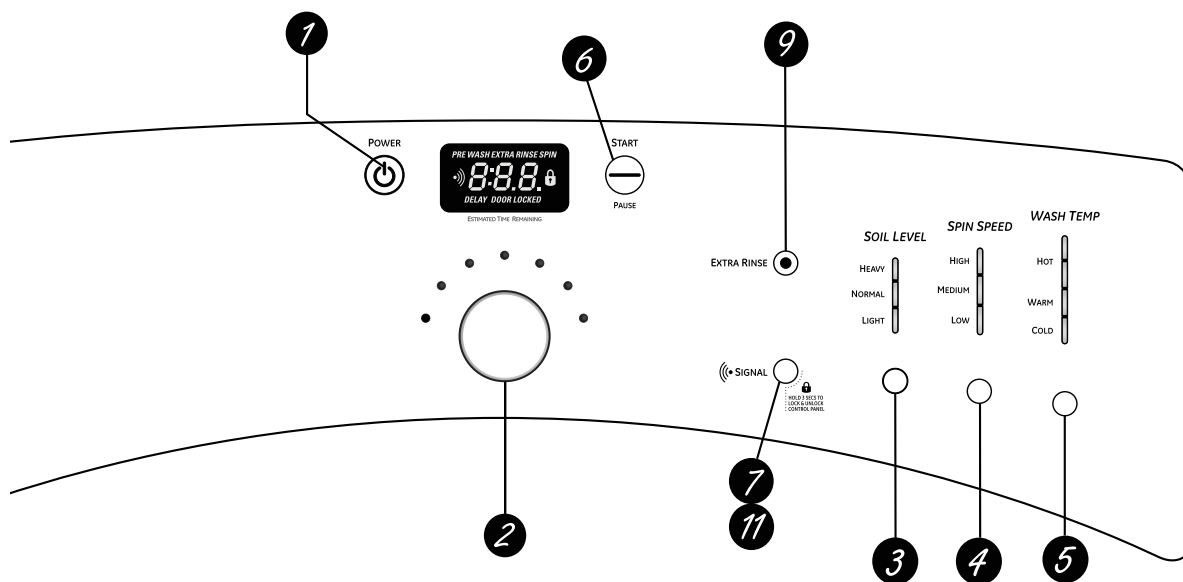
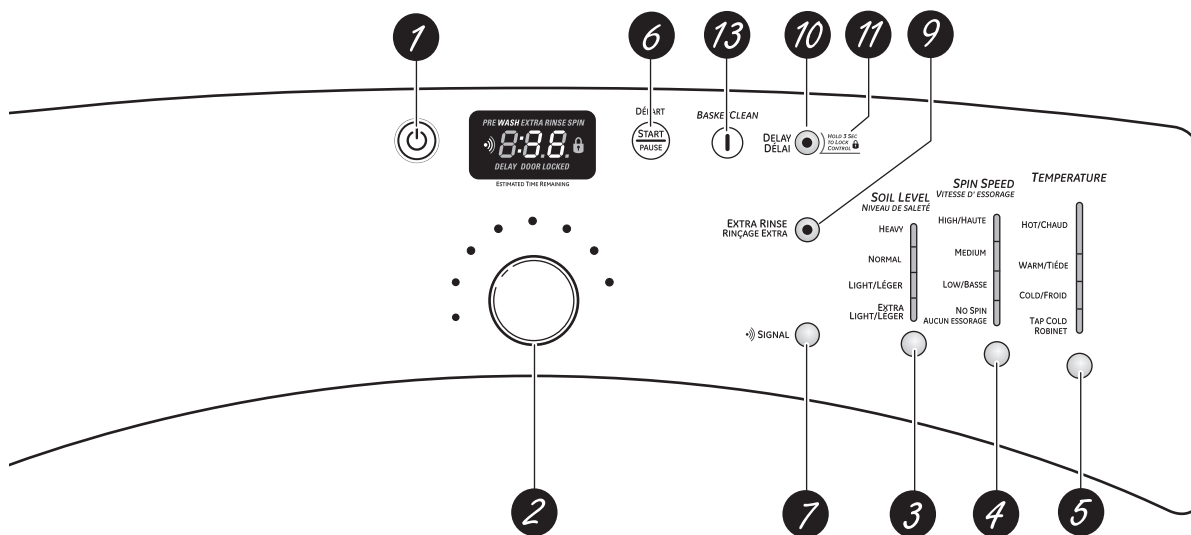


**READ AND FOLLOW THIS SAFETY INFORMATION CAREFULLY.
SAVE THESE INSTRUCTIONS**

About the washer control panel.

Find the illustration that closely matches your model and see the cycle descriptions starting on page 6 for details.





About the washer control panel.

- 1 Power**
Press to “wake up” the display. If the display is active, press to put the washer into standby mode.

NOTE: Pressing **POWER** does not disconnect the appliance from the power supply.

- 2 Wash Cycles**
The wash cycles are optimized for specific types of wash loads. The chart below will help you match the wash setting with the loads. The GentleClean™ lifters lightly tumble the clothes into the water and detergent solution to clean the load.

WHITES	For heavily to lightly soiled white cottons, household linens, work and play clothes.
COLORS/NORMAL	For heavy to lightly soiled colorfast cottons, household linens, work and play clothes.
STAIN WASH	For heavy soiled colorfast cottons, household linens, work and play clothes.
EASY CARE (PERMA PRESS) (some models)	For wrinkle-free and permanent press items.
ACTIVE WEAR (some models)	For active sports, exercise and some casual wear clothes. Fabrics include modern technology finishes and fibers such as spandex, stretch and micro-fibers.
DELICATES (some models)	For lingerie and special-care fabrics with light to normal soil. Provides gentle tumbling and soak during wash and rinse.
HANDWASH	For items labeled hand-washable with light soils. Provides gentle rocking to mimic the handwashing action.
WASHABLE WOOLS (some models)	For the washing of machine washable wool products, provided that they are washed according to the instructions on the garment label. When selecting this cycle, you must use a detergent suitable for washing wool.
MY CYCLE (some models)	Press to use, create or modify custom wash cycles.
SPEED WASH	For lightly soiled items that are needed in a hurry. Cycle time is approximately 30 minutes, depending on selected options.
DRAIN & SPIN	Drain and spin at any time.
RINSE & SPIN	To quickly rinse out any items at any time.

3 Soil Level
Changing the SOIL LEVEL increases or decreases the wash time to remove different amounts of soil. To change the SOIL LEVEL, press the **SOIL LEVEL** button until you have reached the desired setting.

4 Spin Speed
Changing the SPIN SPEED changes the final spin speed of the cycles. Always follow the fabric manufacturer's care label when changing the SPIN SPEED.
To change the SPIN SPEED, press the **SPIN SPEED** button until you have reached the desired setting. Higher spin speeds are not available on certain cycles, such as Delicates.
Higher spin speeds remove more water from the clothes and will help reduce dry time, but may also increase the possibility of setting wrinkles on some fabrics.

5 Wash Temp
Adjust to select the proper water temperature for the wash cycle. The prewash and rinse water is always cold to help reduce energy usage and reduce setting of stains and wrinkles.
Follow the fabric manufacturer's care label when selecting the wash temperature.
To change the wash temperature, press the **WASH TEMP** button until you have reached the desired setting. The Sanitized wash temperature is not available on certain cycles, such as Delicates.
When selecting the Sanitize wash temperature (on some models), the washer increases the water temperature to sanitize and kill more than 99% of many common bacteria found in home laundry. The sanitize wash temperature is only available on Stain Wash and Whites wash cycles. For best results, select the heavy soil setting when using the Sanitize wash temperature setting.

NOTE: The first 10 seconds of the wash fill is always cold. This feature assists in conditioning the fabric and preventing stains from setting on garments.

6 START/PAUSE
Press to start a wash cycle. If the washer is running, pressing it once will pause the washer and unlock the door. Press again to restart the wash cycle.

NOTE: If the washer is paused and the cycle is not restarted within 2 hours, the current wash cycle will be cancelled.

NOTE: The washer performs automatic system checks after pressing the **START** button. Water will flow in 45 seconds or less. You may hear the door lock and unlock before water flows; this is normal.

About the washer features.

NOTE: Features may not be available on all washer models.

7



Cycle Signal

Use the **SIGNAL** button to change the volume of the end of cycle signal.

Press the button until you reach the desired volume.

8



Prewash (on some models)

Prewash is an extra wash before the main wash. Use it for heavily soiled clothes or for clothes with a care label that recommends prewashing before washing. Be sure to add high-efficiency

detergent, or the proper wash additive to the prewash dispenser.

NOTE: When selecting prewash, it is recommended to use powder detergent in the main wash (detergent compartment).

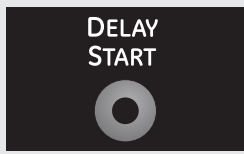
9



Extra Rinse

Use an extra rinse when additional rinsing is desired to remove excess dirt and detergent from soiled loads.

10



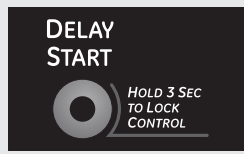
Delay Start (on some models)

You can delay the start of a wash cycle for 10–18 hours, depending on the model. Press the **DELAY START** button to choose the number of hours you want to delay the start of the cycle, then press the **START** button. The machine will count down and start automatically at the correct time.

NOTE: If you forget to fully close the door, a reminder signal will beep reminding you to do so.

NOTE: If you open the door when the delay is counting down, the machine will enter the pause state. You must close the door and press **START** again in order to restart the countdown.

11



Lock

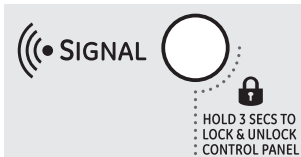
You can lock the controls to prevent any selections from being made. Or you can lock the controls after you have started a cycle.

Children cannot accidentally start the washer by touching pads with this option selected.

To lock the washer, press and hold the **DELAY START** button for 3 seconds (on some models use **SIGNAL** button). To unlock the washer controls, press and hold the **DELAY START** button for 3 seconds.

The control lock icon on the display will light up when it is on.

NOTE: The **POWER** button can still be used when the machine is locked.



12



MY CYCLE (on some models)

To save a favorite cycle, set the desired settings for wash cycle, soil level, spin speed and wash temp settings and hold down the **MY CYCLE** button for 3 seconds. A beep will sound to indicate the cycle has been saved.

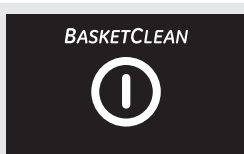
To use your custom cycle, press the **MY CYCLE** button before washing a load.

To change the saved cycle, set the desired settings and hold down the **MY CYCLE** button for 3 seconds.

NOTE: When using **MY CYCLE**, wash options cannot be modified after the cycle has been started.

NOTE: If you change wash options with **MY CYCLE** before starting the cycle, the **MY CYCLE** light will turn off and you will be returned to the base cycle.

13

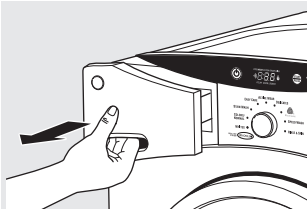


BASKET CLEAN

BasketClean is a cycle that freshens up the inside of your washer. The cycle uses bleach or other available washing machine cleaners and more water to refresh your washer. Use **BasketClean**

once every month to reduce odor and residue buildup inside the washer.

For more information on **BasketClean**, refer to the *Care and Cleaning* section on page 12.

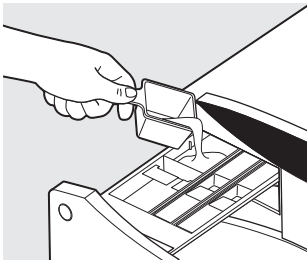


The Dispenser Drawer

Slowly open the dispenser drawer by pulling it out until it stops.

After adding laundry products, slowly close the dispenser drawer. Closing the drawer too quickly could result in early dispensing of the bleach, fabric softener or detergent.

You may see water in the bleach and fabric softener compartments at the end of the cycle. This is a result of the flushing/siphoning action and is part of the normal operation of the washer.

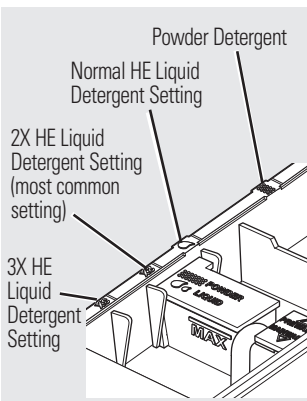


The Prewash Compartment (on some models)

- Only use the Prewash Compartment if you are selecting the Prewash cycle for heavily soiled clothes. Add measured detergent or prewash additive to the back left prewash compartment of the dispenser drawer.
- Detergent or prewash additive is flushed from the dispenser in the prewash cycle (if selected).

NOTE: Liquid detergent will drain into the washer drum as it is added.

- Detergent usage may need to be adjusted for water temperature, water hardness, size and soil level of the load. Avoid using too much detergent in your washer as it can lead to over sudsing and detergent residue being left on the clothes.



Appearance may vary

The Detergent Compartment

- **High-efficiency detergent is required for this washer. Use the detergent manufacturer's recommended amount.**

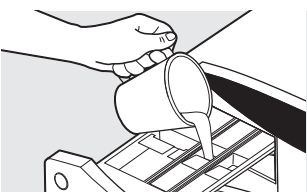
The detergent selection insert must be placed in the detergent compartment in a specific position according to what type of detergent you are using.

- **Powder Detergent** – Place the insert in the rear position. The Powder Icons must line up on center when the insert is in the powder position.
- **Liquid Detergent** – You will need to adjust the insert according to the type of Liquid Detergent you are using. The Icons on the side of the detergent compartment must line up on the center when the insert is in position.

NOTE: Not all models have the 2x and 3x detergent settings. Some have only regular HE detergent settings. You must reduce the amount of detergent for 2x or 3x detergent per bottle instructions.

Move the insert by pulling it up and replace it by sliding it down between either the rear or front detergent compartment molded rails, as desired, for powder or liquid detergent.


- Add measured detergent to the front left detergent compartment of the dispenser drawer.
- Detergent is flushed from the dispenser at the beginning of the wash cycle. Either powdered or liquid detergent can be used.
- Detergent usage may need to be adjusted for water temperature, water hardness, size and soil level of the load. Avoid using too much detergent in your washer as it can lead to oversudsing and detergent residue being left on the clothes.
- Using more detergent than the recommended quantity can cause residue buildup on your washer.



On some models, the Liquid Bleach Compartment is in the center.

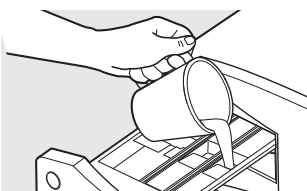
The Liquid Bleach Compartment

IMPORTANT: The bleach compartment position varies by model. Be sure to identify the correct compartment for bleach before using.

If desired, measure out the recommended amount of liquid bleach, not to exceed 1/3 cup (80 ml), and pour into the center compartment labeled "LIQUID BLEACH" marked with this symbol .

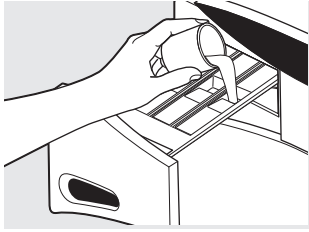
Do not exceed the maximum fill line. Overfilling can cause early dispensing of the bleach which could result in damaged clothes.

NOTE: Do not use powdered bleach in the dispenser.

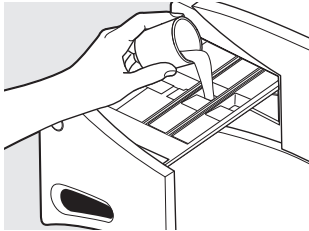


On some models, the Liquid Bleach Compartment is on the right.

About the washer features.



On some models, the Fabric Softener Compartment is on the right.



On some models, the Fabric Softener Compartment is in the center.

The Fabric Softener Compartment

IMPORTANT: The fabric softener compartment position varies by model. Be sure to identify the correct compartment for fabric softener before using.

If desired, pour the recommended amount of liquid fabric softener into the compartment labeled "FABRIC SOFTENER."

Use only liquid fabric softener in the dispenser.

Dilute with water to the maximum fill line.

Do not exceed the maximum fill line. Overfilling can cause early dispensing of the fabric softener which could stain clothes.

NOTE: Do not pour fabric softener directly on the wash load.

Loading and using the washer.

Always follow fabric manufacturer's care label when laundering.



Sorting Wash Loads

Sort laundry into loads that can be washed together.

Colors	Soil	Fabric	Lint
Whites	Heavy	Delicates	Lint Producers
Lights	Normal	Easy Care	Lint Collectors
Darks	Light	Sturdy Cottons	

- Combine large and small items in a load. Load large items first. Large items should not be more than half the total wash load.
- Washing single items is not recommended. This may cause an out-of-balance load. Add one or two similar items.
- Pillows and comforters should not be mixed with other items. This may cause an out-of-balance load.

Preparing Clothes

- To avoid snags during washing:

Follow these steps to maximize garment care.

- Close garment zippers, snaps, buttons and hooks.
- Mend seams, hems, tears.
- Empty all items from pockets.
- Remove nonwashable garment accessories such as ornaments and nonwashable trim materials.
- To avoid tangling, tie strings, draw ties and belt-like materials.
- Brush away surface dirt and lint; treat spots and stains.
- Promptly wash wet or stained garments to maximize results.
- Mix garments using recommended maximum load sizes on page 11.
- Use nylon mesh garment bags to wash small items.
- Wash multiple garments at one time for best results.



Loading the Washer

Wash drum may be fully loaded with loosely added items. **Do not wash fabrics containing flammable materials (waxes, cleaning fluids, etc.).**

To add items after washer has started, press **START/PAUSE** and wait until the door is unlatched. The washer may take up to 30 seconds to unlock the door after pressing **START/PAUSE** depending on the machine conditions. Do not try to force open the door when it is locked. After the door unlocks, open gently. Add items, close the door and press **START/PAUSE** to restart.

Maximum Loading Sizes*

WORKWEAR	LINENS	MIXED LOAD	DELICATES**	SPEED WASH (2-4 GARMENTS)
4 Jeans 5 Workwear Shirts 5 Workwear Pants	2 Bath Sheets 10 Bath Towels/ 12 Washcloths 7 Hand Towels/ 2 Terrycloth Bath Mats OR 2 Flat Queen-Sized Sheets 2 Fitted Queen- Sized Sheets 4 Pillowcases	4 Pillowcases 2 Hand Towels 2 Flat Sheets/ 2 Fitted Sheets 2 Bath Towels/ 4 Washcloths OR 6 Shirts (Men's or Women's) 4 Pair Pants (Khakis or Twills) 5 T-Shirts 7 Pairs of Boxers 4 Pairs of Shorts OR 6 T-Shirts 4 Pairs of Sweatpants 4 Sweatshirts 2 Hoodies 7 Pairs of Socks	7 Bras 7 Panties 3 Slips 2 Camisoles 4 Nightgowns	2 Casual Wear Work Shirts 1 Pair Casual Wear Work Pants OR 3 Soccer Uniforms

*Exceeding maximum recommended load sizes may affect cleaning performance and garment care.

**Using a nylon mesh bag for small items is recommended.

Cleaning the washer.



Care and Cleaning

Exterior: Immediately wipe off any spills. Wipe with damp cloth. Do not hit surface with sharp objects.

Moving and Storage: Ask the service technician to remove water from drain pump and hoses. Do not store the washer where it will be exposed to the weather. When moving the washer, the tub should be kept stationary by using the shipping bolts removed during installation. See Installation Instructions in this book. If these parts are not available, they can be ordered by visiting our Website at GEAppliances.com or by calling 800.GE.CARES.

Long Vacations: Be sure the water supply is shut off at the faucets. Drain all water from the hoses if the weather will be below freezing.

Cleaning the Interior of the Washer

To clean the interior of the washer, select the **BasketClean** feature on the control panel. The cycle will use more water, in addition to bleach, to refresh your washer.

NOTE: Read the instructions below completely before starting the **BasketClean** cycle.

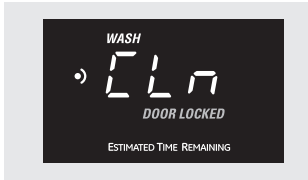
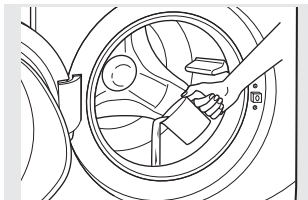
1. Remove any garments or objects from the washer and ensure the washer basket is empty.
2. Open the washer door and pour one cup or 250 ml of liquid bleach or other washing machine cleaner into the basket.
3. Close the door and select the **BasketClean** cycle. Push the **START** button.
4. When the **BasketClean** cycle is working, you will see **CLn** on the display. The cycle will complete in about 90 minutes. Do not interrupt the cycle.
5. After the cycle is complete, leave the door open slightly for better ventilation.

If for any reason the cycle needs to be interrupted, the door will not open immediately. Forcing open the door at this stage may cause water to flood. The door will open after the water is drained to a level where it would not flood the floor.

BasketClean may be interrupted by pressing the **START/PAUSE** button in between cycles. A power outage in the house might also interrupt the cycle. When the power supply is back, the **BasketClean** cycle resumes where it had stopped. When interrupted, be sure to run a complete **BasketClean** cycle before using the washer. If the **POWER** button is pressed during **BasketClean**, the cycle will be lost.

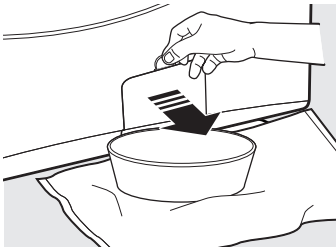
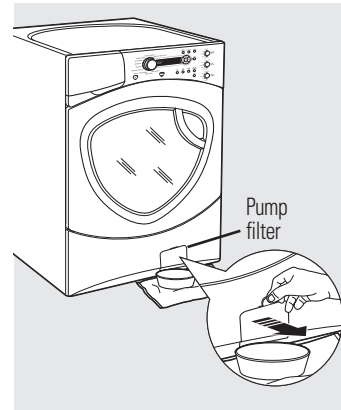
IMPORTANT:

- Run **BasketClean** with 1 Cup (250 ml) of bleach once a month.
- After the completion of a **BasketClean** cycle, the interior of your washer may have a bleach smell.
- It is recommended to run a light color load after the **BasketClean** cycle.

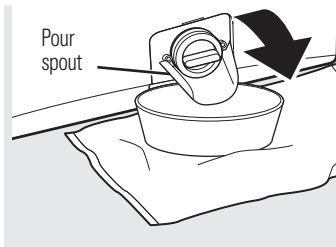


Cleaning the Pump Filter

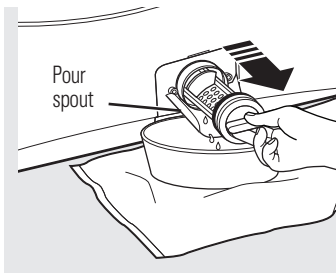
Due to the nature of the front-load washer, it is sometimes possible for small articles to pass to the pump. The washer has a filter to capture lost items so they are not dumped to the drain. To retrieve lost items, clean out the pump filter.



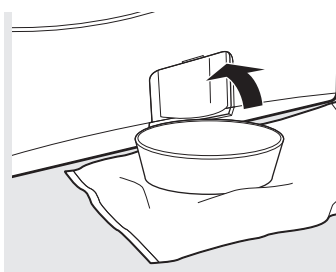
1. Using a coin or flat screwdriver in the notch on the door, open the access door.
2. Place a shallow pan or dish under the pump access door and towels on the floor in front of the washer to protect the floor. It is normal to catch about a cup of water when the filter is removed.



3. Pull down the pour spout.

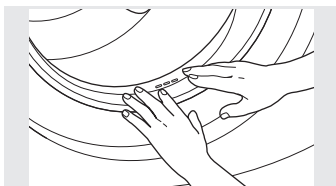


4. Turn the pump filter counterclockwise and remove the filter. Open slowly to allow the water to drain.
5. Clean the debris from the filter.
6. Replace the filter and turn clockwise. Tighten securely.

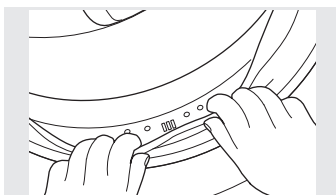


7. Flip up the pour spout.
8. Close the access door.

Cleaning the Door Gasket



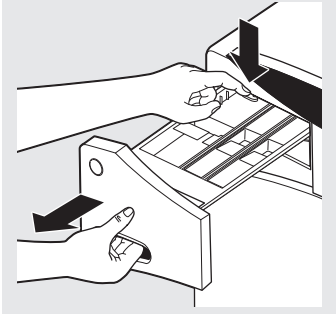
Open the washer door. Using both hands, press down the door gasket. Remove any foreign objects if found trapped inside the gasket. Make sure there is nothing blocking the holes behind the gasket.



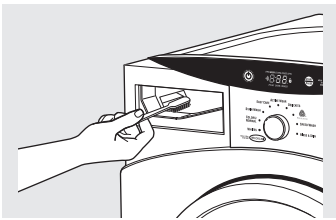
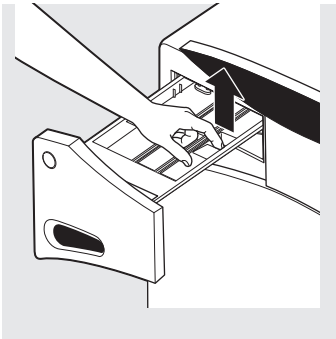
While holding down the door gasket, inspect the interior gasket by pulling it down with your fingers. Remove any foreign objects if found trapped inside this gasket. Make sure there is nothing blocking the holes behind the gasket.

When you are finished cleaning the door gasket, remove your hands and the gasket will return to the operating position.

Cleaning the washer.



Lock tab is visible only after drawer has been pulled out



Dispenser Drawer Area: Detergent and fabric softener may build up in the dispenser drawer. Residue should be removed once or twice a month.

- Remove the drawer by first pulling it out until it stops. Then reach back into the left rear corner of the drawer cavity and press down firmly on the lock tab, pulling out the drawer.
- Remove the inserts from the bleach and fabric softener compartments and the detergent insert. Rinse the inserts and the drawer with hot water to remove traces of accumulated laundry products.
- To clean the drawer opening, use a small brush to clean the recess. Remove all residue from the upper and lower parts of the recess.
- Return inserts to the proper compartments. Replace the dispenser drawer.

Installation Instructions

Washer

If you have any questions, call 800.GE.CARES (800.432.2737) or visit our Website at: GEAppliances.com

BEFORE YOU BEGIN

Read these instructions completely and carefully.

- **IMPORTANT** – Save these instructions for local inspector's use.
- **IMPORTANT** – Observe all governing codes and ordinances.
- **Note to Installer** – Be sure to leave these instructions with the Consumer.
- **Note to Consumer** – Keep these instructions for future reference.
- **Skill level** – Installation of this appliance requires basic mechanical and electrical skills.
- **Completion time** – 1-3 hours
- Proper installation is the responsibility of the installer.
- Product failure due to improper installation is not covered under the Warranty.

FOR YOUR SAFETY:

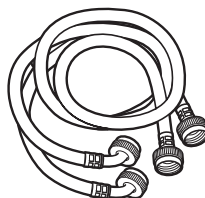
WARNING

- This appliance must be properly grounded and installed as described in these *Installation Instructions*.
- Do not install or store the appliance in an area where it will be exposed to water/weather. See the *Location of Your Washer* section.
- **NOTE: This appliance must be properly grounded, and electrical service to the washer must conform with local codes and ordinances and the latest edition of the National Electrical Code, ANSI/NFPA 70.**

TOOLS REQUIRED FOR WASHER INSTALLATION

- 1/4" nut driver
- 3/8" socket with ratchet
- 3/8" open-end wrench
- Adjustable wrench or 7/16" socket with ratchet
- Adjustable wrench or 9/16" open-end wrench
- Channel-lock adjustable pliers
- Carpenter's level

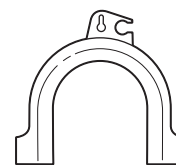
PARTS SUPPLIED



Water Hoses (2)



Cable Tie



Hose Guide

STACK BRACKET KIT

A stack bracket kit is available at additional cost. It can be ordered in the United States by visiting our website at GEAppliances.com or calling 800.GE.CARES. Order kit #WE25X10018 or GEFLSTACK.

Installation Instructions

LOCATION OF YOUR WASHER

Do Not Install the Washer:

1. In an area exposed to dripping water or outside weather conditions. The ambient temperature should never be below 60°F (15.6°C) for proper washer operation.
2. In an area where it will come in contact with curtains or drapes.
3. On carpet. The floor **MUST** be a hard surface with a maximum slope of 1/2" per foot (1.27 cm per 30 cm). To make sure the washer does not vibrate or move, you may have to reinforce the floor.

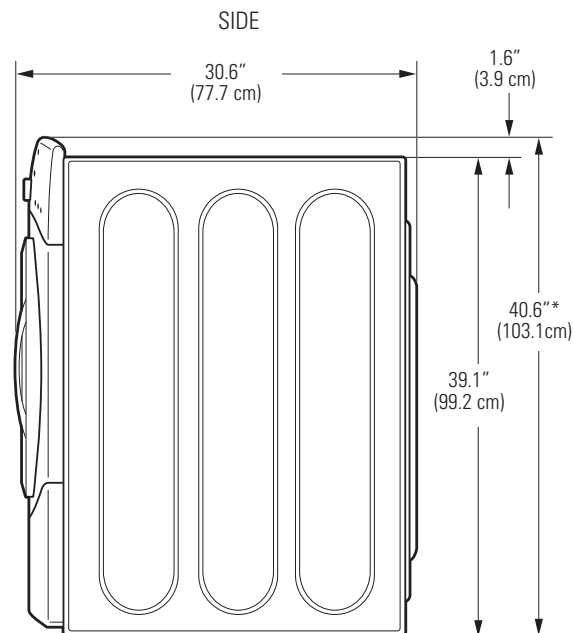
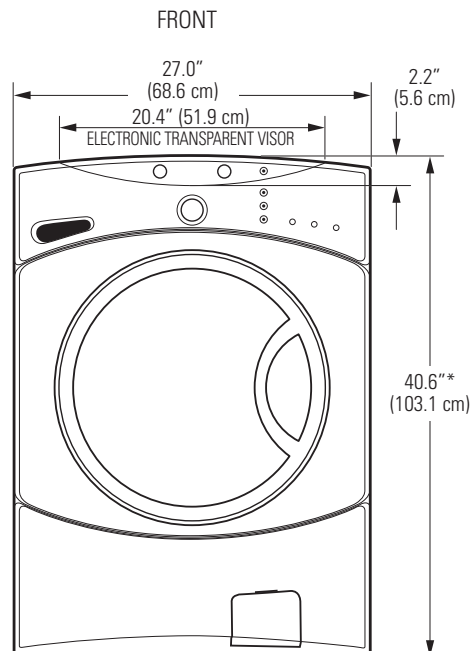
NOTE: If floor is in poor condition, use 3/4" impregnated plywood sheet solidly attached to the existing floor covering.

IMPORTANT:

Minimum Installation Clearances

- When installed in alcove: Sides, Rear, Top = 0" (0 cm)
- When installed in closet: Sides, Rear, Top = 0" (0 cm), Front = 1" (2.54 cm)
- Closet door ventilation openings required: 2 louvers each 60 square in. (387 cm²), located 3" (7.6 cm) from top and bottom of door

ROUGH-IN DIMENSIONS



*NOTE: With pedestal, 52.6"
Stacked, 84"

Installation Instructions

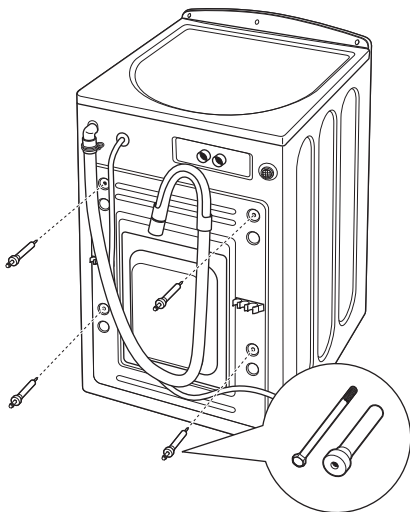
UNPACKING THE WASHER

⚠ WARNING: Recycle or destroy the carton and plastic bags after the washer is unpacked. Make materials inaccessible to children. Children might use them for play. Cartons covered with rugs, bedspreads or plastic sheets can become airtight chambers causing suffocation.

1. Cut and remove the top and bottom packaging straps.
2. While it is in the carton, carefully lay the washer on its side. **DO NOT** lay the washer on its front or back.
3. Turn down the bottom flaps—remove all base packaging, including the cardboard, styrofoam base and styrofoam tub support (inserted in center of base).

NOTE: If you are installing a pedestal, proceed to the installation instructions that come with the pedestal.

4. Carefully return the washer to an upright position and remove the carton.
5. Carefully move the washer to within 4 feet (122 cm) of the final location.
6. Remove the following from the back side of the washer:
 - 4 bolts
 - 4 plastic spacers (including rubber grommets)
 - 4 power cord retainers



NOTE: Failure to remove the shipping braces can cause the washer to become severely unbalanced.

Save all bolts for future use.

NOTE: If you must transport the washer at a later date, you must reinstall the shipping support hardware to prevent shipping damage. Keep the hardware in the plastic bag provided.

In case you misplace your shipping bolts, replacements are available at additional cost. They can be ordered in the United States by visiting our website at GEAppliances.com or calling 800.GE.CARES. Order kit #WH49X10039.

Installation Instructions

ELECTRICAL REQUIREMENTS

Read these instructions completely and carefully.

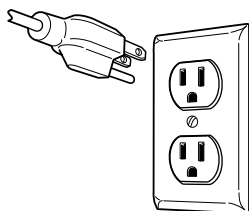
⚠ WARNING: TO REDUCE THE RISK OF FIRE, ELECTRICAL SHOCK AND PERSONAL INJURY:

- DO NOT USE AN EXTENSION CORD OR AN ADAPTER PLUG WITH THIS APPLIANCE.
Washer must be electrically grounded in accordance with local codes and ordinances, or in the absence of local codes, in accordance with the NATIONAL ELECTRICAL CODE, ANSI/NFPA NO. 70.

CIRCUIT – Individual, properly polarized and grounded 15-amp branch circuit fused with 15-amp time-delay fuse or circuit breaker.

POWER SUPPLY – 2-wire, with ground, 120-volt, single-phase, 60-Hz, alternating current.

OUTLET RECEPTACLE – Properly grounded 3-prong receptacle to be located so the power supply cord is accessible when the washer is in an installed position.



GROUNDING REQUIREMENTS

⚠ WARNING: Improper connection of the equipment grounding conductor can result in a risk of electrical shock. Check with a licensed electrician if you are in doubt as to whether the appliance is properly grounded.

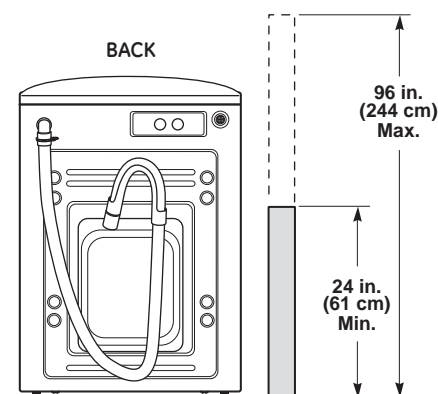
1. The washer **MUST** be grounded. In the event of malfunction or breakdown, grounding will reduce the risk of electrical shock by providing a path of least resistance for electrical current.
2. Since your washer is equipped with a power supply cord having an equipment-grounding conductor and a grounding plug, the plug **MUST** be plugged into an appropriate, copper-wired receptacle that is properly installed and grounded in accordance with all local codes and ordinances or in the absence of local codes, with the National Electrical Codes, ANSI/NFPA 70 (latest edition). If in doubt, call a licensed electrician. **DO NOT** cut off or alter the grounding prong on the power supply cord. In situations where a two-slot receptacle is present, it is the owner's responsibility to have a licensed electrician replace it with a **properly grounded** three-prong grounding-type receptacle.

WATER SUPPLY REQUIREMENTS

Hot and cold water faucets **MUST** be installed within 42 inches (107 cm) of your washer's water inlet. The faucets **MUST** be 3/4" (1.9 cm) garden hose-type so inlet hoses can be connected. Water pressure **MUST** be between 10 and 120 pounds per square inch. Your water department can advise you of your water pressure. The hot water temperature should be set to deliver water at 120° to 140°F (48°–60°C).

DRAIN REQUIREMENTS

1. Drain capable of eliminating 17 gals (64.3 L) per minute.
2. A standpipe diameter of 1-1/4" (3.18 cm) minimum.
3. The standpipe height above the floor should be:
Minimum height: 24" (61 cm)
Maximum height: 96" (244 cm)

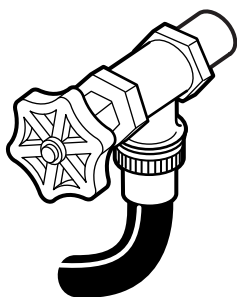
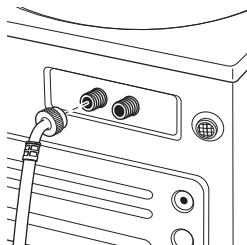


NOTE: The drain hose attached to the washer can reach a 58" (147 cm) high standpipe. For a higher standpipe, contact an authorized parts distributor.

Installation Instructions

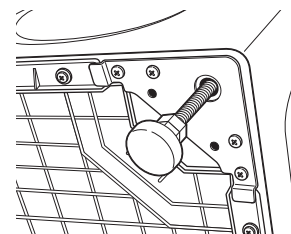
INSTALLING THE WASHER

1. Run some water from the hot and cold faucets to flush the water lines and remove particles that might clog up the water valve screens.
2. Remove the inlet hoses from the plastic bag.
3. (90° elbow end) Carefully connect the inlet hose marked HOT to the outside "H" outlet of the water valve. Tighten by hand, then tighten another 2/3 turn with pliers. Carefully connect the other inlet hose to the inside "C" outlet of the water valve. Tighten by hand; then tighten another 2/3 turn with pliers. **Do not crosstread or over-tighten these connections.**
4. Connect the inlet hose ends to the HOT and COLD water faucets tightly by hand, then tighten another 2/3 turn with pliers. Turn the water on and check for leaks.



5. Carefully move the washer to its final location. Gently rock the washer into position. It is important not to damage the rubber leveling legs when moving your washer to its final location. Damaged legs can increase washer vibration. It may be helpful to spray window cleaner on the floor to help move your washer into its final position. **NOTE:** To reduce vibration, ensure that all four rubber leveling legs are firmly touching the floor. Push and pull on the back right and then back left of your washer. **NOTE:** Do not use the dispenser drawer or door to lift the washer. **NOTE:** If you are installing into a drain pan, you can use a 24-inch long 2x4 to lever the washer into place.

6. With the washer in its final position, place a level on top of the washer (if the washer is installed under a counter, the washer should not be able to rock). Adjust the front leveling legs up or down to ensure the washer is resting solid. Turn the lock nuts on each leg up towards the base of the washer and snug with a wrench.



NOTE: Keep the leg extension at a minimum to prevent excessive vibration. The farther out the legs are extended, the more the washer will vibrate.

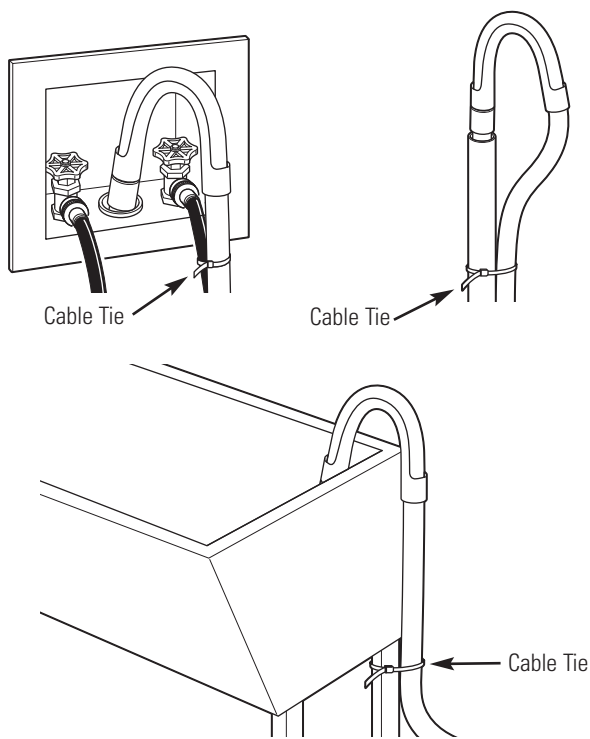
If the floor is not level or is damaged, you may have to extend the rear leveling legs.

Installation Instructions

INSTALLING THE WASHER (cont.)

7. Attach the U-shaped hose guide to the end of the drain hose. Place the hose in a laundry tub or standpipe and secure it with the cable tie provided in the enclosure package.

NOTE: Placing the drain hose too far down the drain pipe can cause a siphoning action. No more than 7 inches of hose should be in the drain pipe. There must be an air gap around the drain hose. A snug fit can also cause a siphoning action.



8. Plug the power cord into a grounded outlet.

NOTE: Check to be sure the power is off at the circuit breaker/fuse box before plugging the power cord into an outlet.

9. Turn on the power at the circuit breaker/fuse box.
10. Read the rest of this Owner's Manual. It contains valuable and helpful information that will save you time and money.

11. Before starting the washer, check to make sure:

- Main power is turned on.
- The washer is plugged in.
- The water faucets are turned on.
- The unit is level and all four leveling legs are firmly on the floor.
- The shipping support hardware is removed and saved.
- The drain hose is properly tied up.
- There are no leaks at the faucet, drain line or washer.

12. Run the washer through a complete cycle. Check for water leaks and proper operation.

13. If your washer does not operate, please review the *Before You Call For Service* section before calling for service.

14. Place these instructions in a location near the washer for future reference.

REPLACEMENT PARTS

If replacement parts are needed for your washer, they can be ordered in the United States by visiting our Website at GEAppliances.com or by calling 800.GE.CARES.



Troubleshooting Tips
 Save time and money! Review the charts on the following pages first and you may not need to call for service.

Problem	Possible Cause	What To Do
Not draining Not spinning Not agitating	Load is out of balance	<ul style="list-style-type: none"> • Redistribute clothes and run drain & spin or rinse & spin. • Increase load size if washing small load containing heavy and light items.
	Pump clogged	<ul style="list-style-type: none"> • See page 13 on how to clean the Pump Filter.
	Drain hose is kinked or improperly connected	<ul style="list-style-type: none"> • Straighten drain hose and make sure washer is not sitting on it.
	Household drain may be clogged	<ul style="list-style-type: none"> • Check household plumbing. You may need to call a plumber.
	Drain hose siphoning; drain hose pushed too far down the drain	<ul style="list-style-type: none"> • Ensure there is an air gap between hose and drain.
Leaking water	Door gasket is damaged	<ul style="list-style-type: none"> • Check to see if gasket is seated and not torn. Objects left in pockets may cause damage to the washer (nails, screws, pens, pencils).
	Door gasket not damaged	<ul style="list-style-type: none"> • Water may drip from the door when the door is opened. This is a normal operation. • Carefully wipe off rubber door seal. Sometimes dirt or clothing is left in this seal and can cause a small leak.
	Check back left of washer for water	<ul style="list-style-type: none"> • If this area is wet, you have oversudsing condition. Use less detergent.
	Fill hoses or drain hose is improperly connected	<ul style="list-style-type: none"> • Make sure hose connections are tight at washer and faucets and make sure end of drain hose is correctly inserted in and secured to drain facility.
	Household drain may be clogged	<ul style="list-style-type: none"> • Check household plumbing. You may need to call a plumber.
	Dispenser clogged	<ul style="list-style-type: none"> • Powder soap may cause clogs inside the dispenser and cause water to leak out the front of the dispenser. Remove drawer and clean both drawer and inside of dispenser box. Please refer to <i>Cleaning the Washer</i> section.
	Incorrect use of detergent	<ul style="list-style-type: none"> • Use HE and correct amount of detergent.
	Dispenser box crack	<ul style="list-style-type: none"> • If new installation, check for crack on inside of dispenser box.
Clothes too wet	Load is out of balance	<ul style="list-style-type: none"> • Redistribute clothes and run drain & spin or rinse & spin. • Increase load size if washing small load containing heavy and light items. • The machine will slow the spin speed down to 410 rpm if it has a hard time balancing the load. This speed is normal.
	Pump clogged	<ul style="list-style-type: none"> • See page 13 on how to clean the Pump Filter.
	Overloading	<ul style="list-style-type: none"> • The dry weight of the load should be less than 16 lb.
	Drain hose is kinked or improperly connected	<ul style="list-style-type: none"> • Straighten drain hose and make sure washer is not sitting on it.
	Household drain may be clogged	<ul style="list-style-type: none"> • Check household plumbing. You may need to call a plumber.
	Drain hose siphoning; drain hose pushed too far down the drain	<ul style="list-style-type: none"> • Ensure there is an air gap between hose and drain.

Before you call for service...

Problem	Possible Cause	What To Do
<i>Incomplete cycle or timer not advancing</i>	Automatic load redistribution	<ul style="list-style-type: none"> • Timer adds 3 minutes to cycle for each rebalance. 11 or 15 rebalances may be done. This is normal operation. Do nothing; the machine will finish the wash cycle.
	Pump clogged	<ul style="list-style-type: none"> • See page 13 on how to clean the Pump Filter.
	Drain hose is kinked or improperly connected	<ul style="list-style-type: none"> • Straighten drain hose and make sure washer is not sitting on it.
	Household drain may be clogged	<ul style="list-style-type: none"> • Check household plumbing. You may need to call a plumber.
	Drain hose siphoning; drain hose pushed too far down the drain	<ul style="list-style-type: none"> • Ensure there is an air gap between hose and drain.
<i>Loud or unusual noise; vibration or shaking</i>	Cabinet moving	<ul style="list-style-type: none"> • Washer is designed to move 1/4" to reduce forces transmitted to the floor. This movement is normal.
	All rubber leveling legs are not firmly touching the floor	<ul style="list-style-type: none"> • Push and pull on the back right and then back left of your washer to check if it is level. If the washer is uneven, adjust the rubber leveling legs so they are all firmly touching the floor and locked in place. Your installer should correct this problem.
	Unbalanced load	<ul style="list-style-type: none"> • Open door and manually redistribute load. To check machine, run rinse and spin with no load. If normal, unbalance was caused by load.
	Pump clogged	<ul style="list-style-type: none"> • See page 13 on how to clean the Pump Filter.
<i>No power/washer not working or dead</i>	Washer is unplugged	<ul style="list-style-type: none"> • Make sure cord is plugged securely into a working outlet.
	Water supply is turned off	<ul style="list-style-type: none"> • Turn both hot and cold faucets fully on.
	Circuit breaker/fuse is tripped/blown	<ul style="list-style-type: none"> • Check house circuit breakers/fuses. Replace fuses or reset breaker. Washer should have separate outlet.
	Automatic self system checks	<ul style="list-style-type: none"> • First time the washer is plugged in, automatic checks occur. It may take up to 20 seconds before you can use your washer. This is normal operation.
<i>Snags, holes, tears, rips or excessive wear</i>	Overloaded	<ul style="list-style-type: none"> • Do not exceed maximum recommended load sizes. See recommended maximum load sizes on page 11.
	Pens, pencils, nails, screws or other objects left in pockets	<ul style="list-style-type: none"> • Remove loose items from pockets.
	Pins, snaps, hooks, sharp buttons, belt buckles, zippers and sharp objects left in pockets	<ul style="list-style-type: none"> • Fasten snaps, hooks, buttons and zippers.
<i>Control time wrong or changes</i>	This is normal	<ul style="list-style-type: none"> • During spin the washer may need to rebalance the load sometimes to reduce vibrations. When this happens, the estimated time is increased causing time left to increase or jump.
<i>Not enough water</i>	This is normal	<ul style="list-style-type: none"> • Horizontal washers do not require the tub to fill with water like top-load washers.
<i>Washer pauses or has to be restarted, or washer door is locked and will not open</i>	Pump clogged	<ul style="list-style-type: none"> • See page 13 on how to clean the Pump Filter.
<i>Door unlocks or press START and machine doesn't operate</i>	This is normal	<ul style="list-style-type: none"> • Front-load washers start up differently than top-load washers, and it takes 30 seconds to check the system. The door will lock and unlock.
	Incorrect operation	<ul style="list-style-type: none"> • Simply open and close the door firmly; then press START.

Problem	Possible Cause	What To Do
Water does not enter washer or enters slowly	Automatic self system checks	<ul style="list-style-type: none"> After START is pressed, the washer does several system checks. Water will flow 60 seconds after START is pressed.
	Water supply is turned off	<ul style="list-style-type: none"> Turn on both hot and cold faucets fully.
	Water valve screens are stopped up	<ul style="list-style-type: none"> Turn off the water source and remove the water connection hoses from the upper back of the washer. Use a brush or toothpick to clean the screens in the machine. Reconnect the hoses and turn the water back on.
Wrinkling	Improper sorting	<ul style="list-style-type: none"> Avoid mixing heavy items (like work clothes) with light items (like blouses).
	Overloading	<ul style="list-style-type: none"> Load your washer so clothes have enough room to move freely.
	Incorrect wash cycle	<ul style="list-style-type: none"> Match cycle selection to the type of fabric you are washing (especially for easy care loads).
	Repeated washing in water that is too hot	<ul style="list-style-type: none"> Wash in warm or cold water.
Grayed or yellowed clothes	Not enough detergent	<ul style="list-style-type: none"> Use correct amount of detergent.
	Not using HE (high-efficiency) detergent	<ul style="list-style-type: none"> Use HE detergent.
	Hard water	<ul style="list-style-type: none"> Use hottest water safe for fabric. Use a water conditioner like Calgon brand or install a water softener.
	Water is not hot enough	<ul style="list-style-type: none"> Make sure water heater is delivering water at 120°–140°F (48°–60°C).
	Detergent is not dissolving	<ul style="list-style-type: none"> Try a liquid detergent.
	Dye transfer	<ul style="list-style-type: none"> Sort clothes by color. If fabric label states <i>wash separately</i>, unstable dyes may be indicated.
Colored spots	Incorrect use of fabric softener	<ul style="list-style-type: none"> Check fabric softener package for instructions and follow directions for using dispenser.
	Dye transfer	<ul style="list-style-type: none"> Sort whites or lightly colored items from dark colors. Promptly remove wash load from washer.
Water temperature is incorrect	Water supply is improperly connected	<ul style="list-style-type: none"> Make sure hoses are connected to correct faucets.
	House water heater is not set properly	<ul style="list-style-type: none"> Make sure house water heater is delivering water at 120°–140°F (48°–60°C).
Slight variation in metallic color	This is normal	<ul style="list-style-type: none"> Due to the metallic properties of paint used for this unique product, slight variations of color may occur due to viewing angles and lighting conditions.
Bad odor inside your washer	Washer unused for a long time, not using recommended quality of HE detergent or used too much detergent	<ul style="list-style-type: none"> Run a BasketClean cycle. In the case of strong odor, you may need to run the BasketClean cycle more than once. Use only the amount of detergent recommended on the detergent container. Use only HE (high-efficiency) detergent. Always remove wet items from the washer promptly after machine stops running. Leave the door slightly open for the water to air dry. Close supervision is necessary if this appliance is used by or near children. Do not allow children to play on, with or inside this or any other appliance.

Safety Instructions

Operating Instructions

Installation Instructions

Troubleshooting Tips

Consumer Support

Before you call for service...

<i>Problem</i>	<i>Possible Cause</i>	<i>What To Do</i>
<i>Detergent leak</i>	Incorrect placement of detergent insert	<ul style="list-style-type: none"> • Make sure detergent insert is properly located and fully seated. Never put detergent above max line.
	This is normal	<ul style="list-style-type: none"> • It is normal operation to see detergent leak on door gasket about 20 seconds after filling the dispenser.
<i>Improper dispensing of softener or bleach</i>	Dispenser clogged	<ul style="list-style-type: none"> • Monthly clean the dispenser drawer to remove buildup of chemicals.
	Softener or bleach is filled above the max line	<ul style="list-style-type: none"> • Make sure to have the correct amount of softener or bleach.
	Softener or bleach cap issue	<ul style="list-style-type: none"> • Make sure softener and bleach cap for dispenser are seated or they will not work.

GE Washer Warranty.



All warranty service provided by our Factory Service Centers, or an authorized Customer Care® technician. To schedule service, visit us on-line at GEAppliances.com, or call 800.GE.CARES (800.432.2737). Please have serial number and model number available when calling for service.

Staple your receipt here.
Proof of the original purchase date is needed to obtain service under the warranty.

For The Period Of: We Will Replace:

One Year

From the date of the original purchase

Any part of the washer which fails due to a defect in materials or workmanship. During this **limited one-year warranty**, GE will also provide, **free of charge**, all labor and related service costs to replace the defective part.

What Is Not Covered (in the United States):

- Service trips to your home to teach you how to use the product.
- Improper installation, delivery or maintenance.
- Failure of the product if it is abused, misused, or used for other than the intended purpose or used commercially.
- Damage after delivery.
- Replacement of house fuses or resetting of circuit breakers.
- Damage to the product caused by accident, fire, floods or acts of God.
- Incidental or consequential damage caused by possible defects with this appliance.
- Product not accessible to provide required service.

EXCLUSION OF IMPLIED WARRANTIES—Your sole and exclusive remedy is product repair as provided in this Limited Warranty. Any implied warranties, including the implied warranties of merchantability or fitness for a particular purpose, are limited to one year or the shortest period allowed by law.

This warranty is extended to the original purchaser and any succeeding owner for products purchased for home use within the USA. If the product is located in an area where service by a GE Authorized Servicer is not available, you may be responsible for a trip charge or you may be required to bring the product to an Authorized GE Service location for service. In Alaska, the warranty excludes the cost of shipping or service calls to your home.

Some states do not allow the exclusion or limitation of incidental or consequential damages. This warranty gives you specific legal rights, and you may also have other rights which vary from state to state. To know what your legal rights are, consult your local or state consumer affairs office or your state's Attorney General.

Warrantor: General Electric Company. Louisville, KY 40225

Safety Instructions

Operating Instructions

Installation Instructions

Troubleshooting Tips

Consumer Support

Consumer Support.



GE Appliances Website

GEAppliances.com

Have a question or need assistance with your appliance? Try the GE Appliances Website, 24 hours a day, any day of the year! For greater convenience and faster service, you can now download Owner's Manuals, order parts or even schedule service on-line.



Schedule Service

GEAppliances.com

Expert GE repair service is only one step away from your door. Get on-line and schedule your service at your convenience any day of the year! Or call 800.GE.CARES (800.432.2737) during normal business hours.



Real Life Design Studio

GEAppliances.com

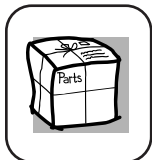
GE supports the Universal Design concept—products, services and environments that can be used by people of all ages, sizes and capabilities. We recognize the need to design for a wide range of physical and mental abilities and impairments. For details of GE's Universal Design applications, including kitchen design ideas for people with disabilities, check out our Website today. For the hearing impaired, please call 800.TDD.GEAC (800.833.4322).



Extended Warranties

GEAppliances.com

Purchase a GE extended warranty and learn about special discounts that are available while your warranty is still in effect. You can purchase it on-line anytime, or call 800.626.2224 during normal business hours. GE Consumer Home Services will still be there after your warranty expires.



Parts and Accessories

GEAppliances.com

Individuals qualified to service their own appliances can have parts or accessories sent directly to their homes (VISA, MasterCard and Discover cards are accepted). Order on-line today, 24 hours every day or by phone at 800.626.2002 during normal business hours.

Instructions contained in this manual cover procedures to be performed by any user. Other servicing generally should be referred to qualified service personnel. Caution must be exercised, since improper servicing may cause unsafe operation.



Contact Us

GEAppliances.com

If you are not satisfied with the service you receive from GE, contact us on our Website with all the details including your phone number, or write to:

General Manager, Customer Relations
GE Appliances, Appliance Park
Louisville, KY 40225



Register Your Appliance

GEAppliances.com

Register your new appliance on-line—at your convenience! Timely product registration will allow for enhanced communication and prompt service under the terms of your warranty, should the need arise. You may also mail in the pre-printed registration card included in the packing material.



Lavadoras

Instrucciones de seguridad 2, 3

Instrucciones de funcionamiento
Paneles de control 4, 5
Parámetros de control 6, 7
Funciones 8-10
Carga y uso de la lavadora 10, 11
Limpieza de la lavadora 12-14

Instrucciones de instalación 15-20
Preparación para la instalación de la lavadora 15
Dimensiones aproximadas 16
Ubicación de la lavadora 16
Desembalaje de la lavadora 17
Requisitos de desagüe 18
Requisitos de suministro de agua 18
Requisitos eléctricos 18
Instalación de la lavadora 19, 20
Piezas de repuesto 20

Consejos para la solución de problemas 21-24

Atención al cliente
Garantía (EE.UU.) 25
Servicio al consumidor 26



Como socio de Energy Star®, GE ha confirmado que este producto cumple las directrices de Energy Star® relativas al rendimiento energético.

Escriba aquí los números de modelo y serie:

N.º de modelo _____

N.º de serie _____

Puede encontrarlos en una etiqueta situada en el costado de la lavadora.

Manual del propietario e instalación

- GFWN1000
- WBVH5200
- WBVH5300
- WCVH6400
- WCVH6800
- WHDVH680

INFORMACIÓN DE SEGURIDAD IMPORTANTE. LEA TODAS LAS INSTRUCCIONES ANTES DEL USO.

⚠ ¡ADVERTENCIA!

Para su seguridad, siga la información de este manual con el fin de minimizar el riesgo de incendio, explosión o descarga eléctrica, así como para evitar daños materiales, lesiones o la muerte.

Las instrucciones de este manual, así como el resto de la documentación que se incluye con la lavadora, no cubren todas las situaciones o estados posibles que pueden producirse. El usuario **DEBE** adoptar procedimientos correctos, seguros y prudentes al instalar, utilizar y realizar el mantenimiento de cualquier electrodoméstico.



SEGURIDAD DEL CALENTADOR DE AGUA

En determinadas condiciones, en un calentador de agua que no se haya utilizado durante un mínimo de dos semanas se puede producir gas hidrógeno. El gas hidrógeno puede resultar explosivo en determinadas circunstancias.

Si el agua caliente no se ha utilizado por dos semanas o más, prevenga la posibilidad de sufrir daños o lesiones abriendo todos los grifos de agua caliente y dejándola correr durante varios minutos. Realice este proceso antes de utilizar cualquier electrodoméstico que se conecte al sistema de agua caliente. Este sencillo procedimiento le permitirá liberar todo el gas hidrógeno acumulado. Debido a que el gas es inflamable, no fume ni utilice ninguna llama o electrodoméstico durante el proceso.



INSTALACIÓN CORRECTA

La lavadora se debe instalar y colocar correctamente de acuerdo con las instrucciones de instalación, antes de utilizarla.

- Instale o almacene la lavadora en un lugar donde no esté expuesta a temperaturas bajo cero ni a las inclemencias climáticas, ya que esto puede provocar daños irreversibles e invalidar la garantía.
- Conecte correctamente a tierra la lavadora de conformidad con todos los códigos y ordenanzas regulatorias. Siga la información de Instrucciones de instalación.



ZONA DE LAVADERO

- Mantenga las zonas debajo de los electrodomésticos y en torno a ellos sin materiales combustibles como pelusa, papel, trapos y productos químicos.
- Es necesario vigilar con atención a los niños si utilizan la lavadora o se encuentran en las proximidades. No deje que los niños jueguen sobre éste u otro electrodoméstico, con él o en su interior.
- No deje la puerta de la lavadora abierta. Dicha acción puede provocar que los niños se cuelguen de la puerta o que gateen dentro de la lavadora.



Utilice este electrodoméstico sólo para el uso que se describe en este manual del propietario.

AL UTILIZAR LA LAVADORA

- No abra nunca la lavadora mientras esté en movimiento. Espere a que se detenga por completo para abrir la puerta.
- No mezcle blanqueadores clorados con amoníaco o ácidos como vinagre o desoxidantes. La mezcla de distintos productos químicos puede producir gases tóxicos que pueden causar la muerte.
- No lave ni seque prendas que se hayan limpiado, lavado, empapado o manchado con sustancias inflamables o explosivas (como cera, aceite, pintura, gasolina, desengrasantes, disolventes de limpieza en seco, queroseno, etc.) que puedan prenderse o explotar. No añada ninguna de estas sustancias al agua de lavado. No utilice ni coloque ninguna de estas sustancias en torno a la lavadora o la secadora durante el funcionamiento.
- El proceso de lavado puede reducir el tiempo previo a la inflamación de los tejidos. Para evitar este efecto, siga con atención las instrucciones de lavado y cuidado del fabricante de la prenda.
- Para minimizar la posibilidad de descarga eléctrica, desenchufe el electrodoméstico de la corriente o desconecte la lavadora en el panel de distribución de la vivienda quitando el fusible o apagando el interruptor antes de realizar cualquier tarea de mantenimiento o limpieza.
NOTA: al pulsar el botón de apagado, **NO** se desconecta la lavadora de la corriente.
- No intente en ningún caso utilizar la lavadora si está dañada, funciona incorrectamente, está parcialmente desmontada, le faltan piezas o algunas están rotas, incluidos el cable o el enchufe.
- No cierre la puerta bruscamente. No intente forzar la puerta para abrirla cuando esté bloqueada (el indicador LOCKED [Bloqueada] está ENCENDIDO). Puede dañar la lavadora.
- La lavadora está equipada con un sistema de protección de sobrecargas eléctricas. El motor se detendrá si se recalienta. La lavadora se iniciará de nuevo automáticamente después de un período de enfriamiento de hasta 2 horas si no se apaga manualmente durante ese tiempo.



CUANDO NO ESTÉ EN USO

- Cierre los grifos de agua para aliviar la presión sobre las mangueras y válvulas y para minimizar las pérdidas si ocurriera una rotura o ruptura. Verifique el estado de las mangueras de llenado; GE recomienda cambiar las mangueras cada 5 años.
- Antes de deshacerse de una lavadora o de desecharla, quite la puerta de la lavadora para evitar que los niños se escondan en su interior.
- No intente reparar ni sustituir ninguna pieza de este electrodoméstico, a menos que se recomiende de manera explícita en el manual del propietario o en instrucciones publicadas de uso y reparación que sean comprensibles y que pueda realizar usted.
- No manipule los controles.

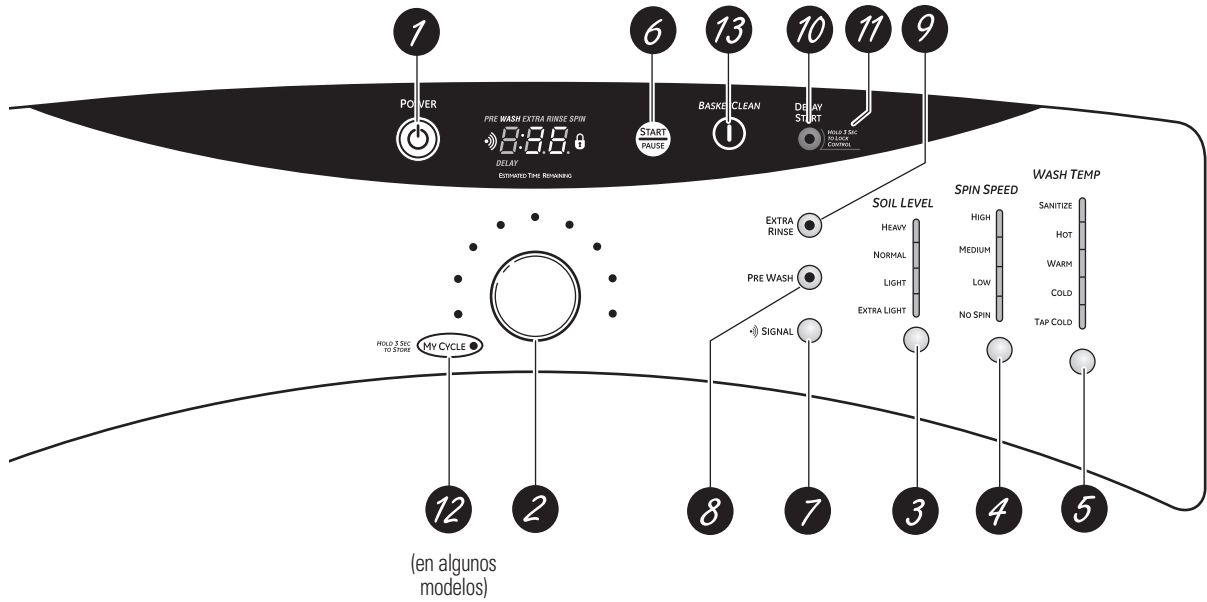


LEA DETENIDAMENTE Y SIGA LA INFORMACIÓN DE SEGURIDAD.

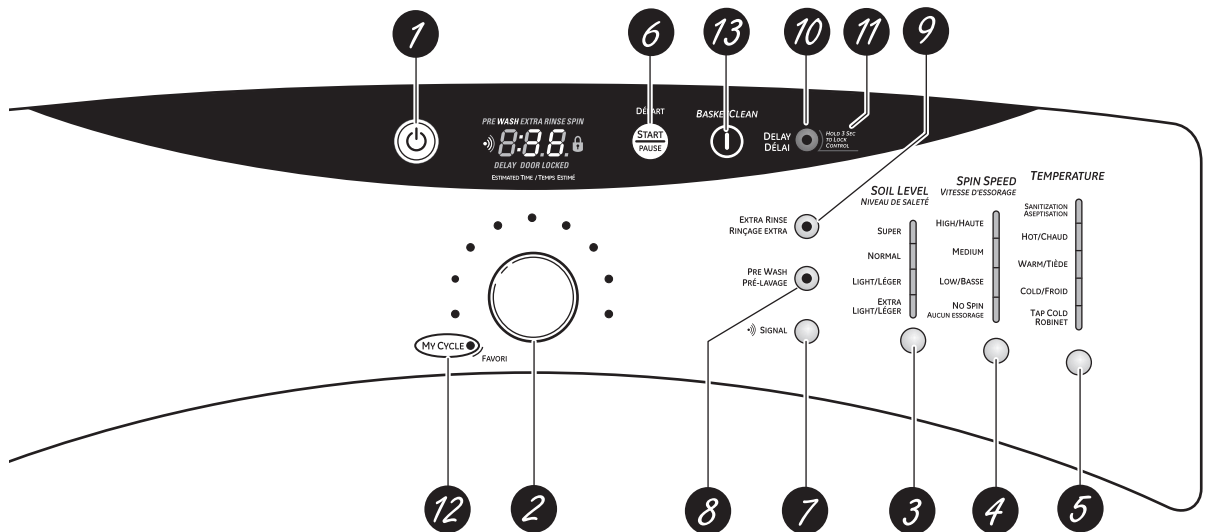
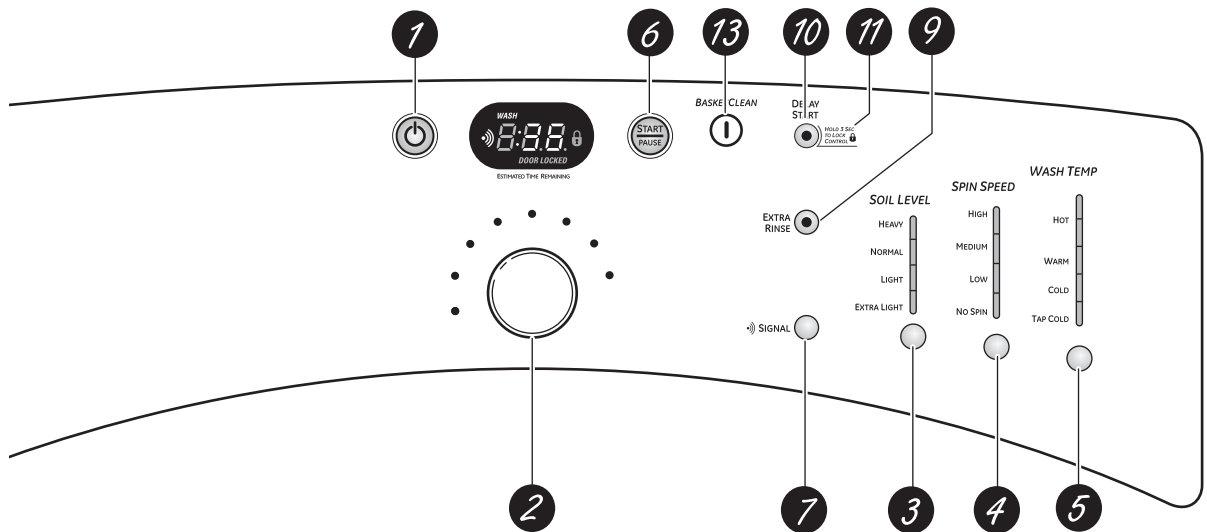
GUARDE ESTAS INSTRUCCIONES

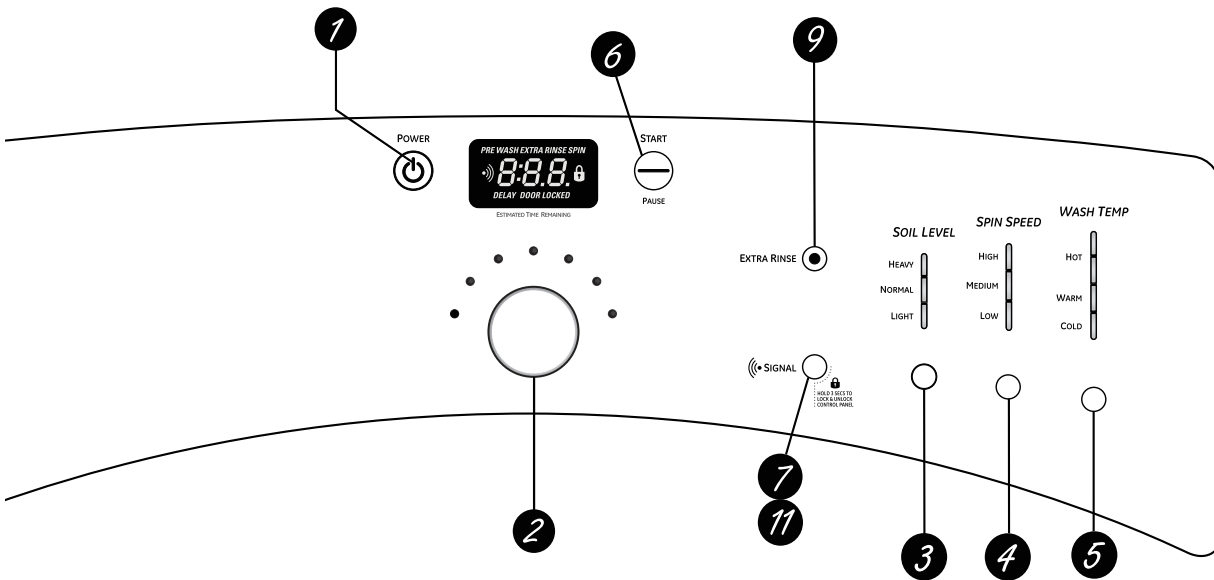
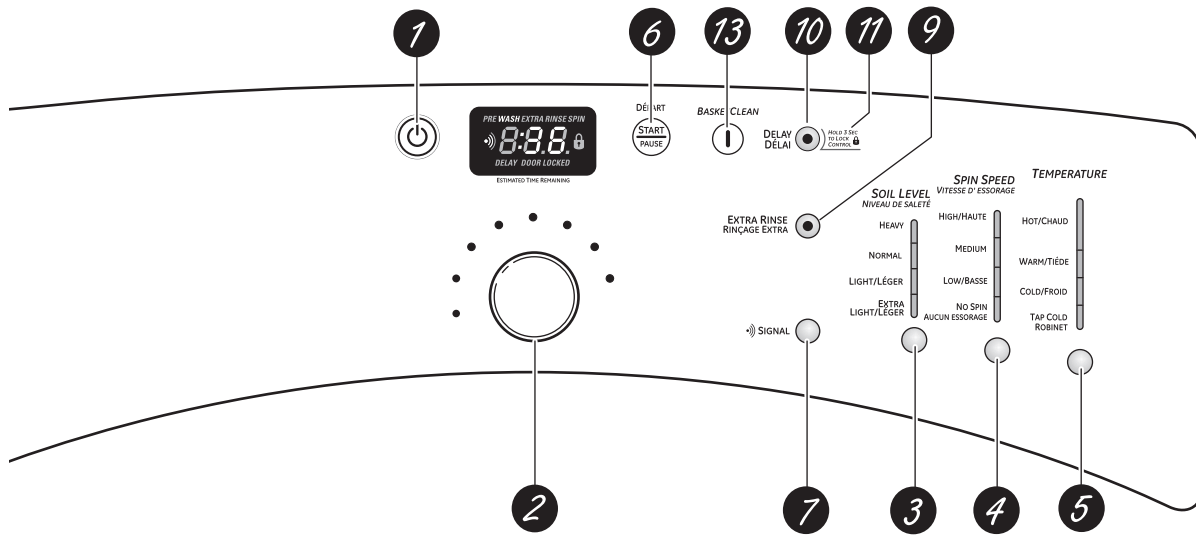
El panel de control de la lavadora.

Busque la ilustración que más se ajusta a su modelo y para más detalles vea las descripciones de ciclo que comienzan en la página 6.



(en algunos modelos)





El panel de control de la lavadora.

- 1 Encendido/apagado**
Pulse este botón para "activar" la pantalla. Si la pantalla está activa, púlselo para poner la lavadora en modo de espera.

NOTA: Al pulsar el botón de **ENCENDIDO/APAGADO** no se desconecta la lavadora de la corriente.

- 2 Ciclos de lavado**
Los ciclos de lavado se han optimizado para tipos específicos de cargas de lavado. La siguiente tabla le ayudará a combinar el tipo de lavado con las cargas. Los elevadores GentleClean™ hacen girar la ropa suavemente en la solución de agua y detergente para limpiar la carga.

ROPA BLANCA	Para prendas de algodón, ropa de hogar, prendas de trabajo o deportivas de color blanco con mucha o poca suciedad.
ROPA DE COLOR/ NORMAL	Para prendas de algodón, ropa de cama, prendas de trabajo o deportivas de colores sólidos con mucha o poca suciedad.
LAVADO INTENSIVO	Para prendas de algodón, ropa de cama, prendas de trabajo o deportivas de colores sólidos con mucha suciedad.
CUIDADO SENCILLO [PLANCHADO PERMANENTE] (algunos modelos)	Para prendas en las que deseemos eliminar arrugas o conseguir un planchado permanente.
ROPA DE EJERCICIO (algunos modelos)	Para prendas que se utilicen a la hora de practicar deportes, ejercicios, así como algunas prendas sport. Entre los tejidos, se incluyen acabados y fibras de última tecnología como spandex, telas elásticas y microfibras.
PRENDAS DELICADAS (algunos modelos)	Para lencería y telas de cuidado especiales con poca o normal suciedad. Proporciona una limpieza y un remojo suaves durante el lavado y el enjuagado.
LAVADO A MANO lavado	Para prendas en las que se indique que se pueden lavar a mano con poca suciedad. La ropa se sacude con ligereza a fin de imitar la acción del a mano.
LANAS LAVABLES (algunos modelos)	Para lavar aquellos productos de lana lavables a máquina, siempre y cuando se realice de acuerdo con las instrucciones de la etiqueta de la prenda. Cuando seleccione este ciclo, debe utilizar un detergente apropiado para el lavado de la lana.
MY CYCLE (Mi ciclo) (algunos modelos)	Pulse este botón para utilizar, crear o modificar los ciclos de lavado personalizados.
LAVADO RÁPIDO	Para prendas con poca suciedad que se necesiten en poco tiempo. La duración del ciclo es de aproximadamente 30 minutos, dependiendo de las opciones seleccionadas.
CENTRIFUGADO Y DESAGÜE	Para centrifugar y desaguar en cualquier momento.
ENJUAGADO Y CENTRIFUGADO	Para enjuagar las prendas rápidamente en cualquier momento.

- 3 Nivel de suciedad**
Al cambiar el NIVEL DE SUCIEDAD, aumenta o disminuye el tiempo de lavado con el fin de eliminar las distintas cantidades de suciedad.
Para cambiar el NIVEL DE SUCIEDAD, pulse el botón **SOIL LEVEL** (Nivel de suciedad) hasta obtener el valor deseado.
- Velocidad de centrifugado**
4 Al cambiar la Velocidad de centrifugado, cambia la velocidad final de centrifugado de los ciclos. Siga siempre las indicaciones de la etiqueta de cuidado del tejido del fabricante al cambiar la Velocidad de centrifugado.
Para cambiar la Velocidad de centrifugado, pulse el botón **SPIN SPEED** (Velocidad de centrifugado) hasta obtener el valor deseado. Las velocidades de centrifugado más rápidas no están disponibles en determinados ciclos, como Delicates (Prendas delicadas).
Con dichas velocidades, se elimina más agua de las prendas y se reduce el tiempo de secado, aunque también puede aumentar la posibilidad de que se formen arrugas en algunos tejidos.
- Temperatura de lavado**
5 Ajuste este control para seleccionar la temperatura del agua adecuada para el ciclo de lavado. El agua de prelavado y enjuagado está siempre fría para poder reducir el consumo de energía y las manchas y arrugas.
Siga las indicaciones de la etiqueta de cuidado del tejido del fabricante al seleccionar la temperatura de lavado.
Para cambiar la temperatura de lavado, pulse el botón **WASH TEMP** (Temperatura de lavado) hasta obtener el valor deseado. La temperatura de lavado de desinfección no está disponible en determinados ciclos, como Delicates (Prendas delicadas).
Al seleccionar la temperatura de Sanitize (Esterilización) (*en algunos modelos*), la lavadora aumenta la temperatura del agua para esterilizar y eliminar más del 99% de las bacterias que aparecen de forma frecuente en los lavados hogareños. La temperatura de esterilización está disponible exclusivamente en los ciclos de Stain Wash (Lavado de manchas) y Whites Wash (Lavado de prendas blancas).
Para obtener mejores resultados, seleccione la configuración de suciedad excesiva cuando utilice la opción de temperatura de Esterilización.
NOTA: Los 10 primeros segundos de la toma de agua, siempre está fría. Esta función permite acondicionar el tejido y evitar que las manchas se adhieran a las prendas.
- 6 START/PAUSE (Iniciar/pausa)**
Pulse este botón para iniciar un ciclo de lavado. Si la lavadora está en funcionamiento, al pulsarlo una vez, la lavadora se detendrá y se desbloqueará la puerta. Vuelva a pulsar el botón para reiniciar el ciclo de lavado.
NOTA: Si la lavadora está detenida y el ciclo no se reinicia en 2 horas, se cancelará el ciclo de lavado actual.
NOTA: La lavadora realiza revisiones automáticas del sistema después de presionar el botón **START** (Inicio). El flujo de agua se iniciará en 45 segundos o antes. Podrá escuchar la puerta al trabarse y destrabarse antes de que comience a fluir el agua; esto es normal.

Acerca de las funciones de la lavadora.

NOTA: Puede que estas funciones no estén disponibles en todos los modelos de la lavadora.

Instrucciones de seguridad

Instrucciones de funcionamiento

Instrucciones de instalación

Consejos para la solución de problemas

Servicio al consumidor



7 Cycle Signal (Señal de ciclo)

Utilice el botón **SIGNAL** (Señal) para cambiar el volumen de la señal de final del ciclo.

Pulse el botón hasta alcanzar el volumen deseado.



8 Pre Wash (Prelavado) (en algunos modelos)

El prelavado es un lavado adicional que se realiza antes del lavado principal. Utilícelo con prendas muy sucias o con aquellas prendas en cuyas etiquetas de cuidado se recomienda realizar un prelavado. Asegúrese de añadir detergente de alta

eficacia o la sustancia de lavado correspondiente en la cubeta de prelavado.

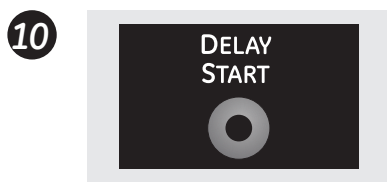
NOTA: Al seleccionar el prelavado, se recomienda utilizar detergente en polvo en el depósito de detergente del lavado principal.



9 Extra Rinse (Enjuagado extra)

Use esta función cuando desee un enjuagado adicional para eliminar

los restos de suciedad y detergente en cargas sucias.



10 Delay Start (Retrasar inicio) (en algunos modelos)

Se puede retardar el inicio de un ciclo de lavado en 10–18 horas, dependiendo del modelo. Pulse el botón **DELAY START** (Retrasar inicio) para seleccionar el número de horas que desee retardar el inicio del ciclo y, a continuación, pulse el botón **START** (Iniciar). La lavadora comenzará la cuenta regresiva y se pondrá en funcionamiento automáticamente a la hora señalada.

NOTA: Si olvida cerrar por completo la puerta, sonará una señal para recordárselo.

NOTA: Si abre la puerta durante la cuenta regresiva, la lavadora entrará en estado de pausa. Debe cerrar la puerta y pulsar de nuevo **START** (Iniciar) para reiniciar la cuenta regresiva.



11 Lock (Bloquear)

Puede bloquear los controles para impedir que se realice cualquier selección. O bien puede bloquear los controles después de haber iniciado un ciclo.

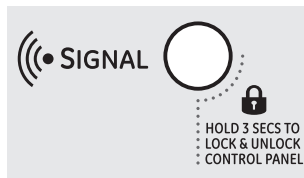
Con esta opción seleccionada, los niños no podrán poner en marcha la lavadora de manera fortuita aunque toquen el panel.

Para bloquear la lavadora, mantenga pulsado el botón de **DELAY START** (Retrasar inicio) durante 3 segundos. Para desbloquear los controles de la lavadora, mantenga

pulsado el botón de **DELAY START** (Retrasar inicio) durante 3 segundos (en algunos modelos, utiliza el botón **SIGNAL**).

El icono de bloqueo de los controles que aparece en la pantalla se encenderá cuando esté activado.

NOTA: El botón de **POWER** (encendido/apagado) puede seguir utilizándose cuando la lavadora está bloqueada.



12 MY CYCLE (Mi ciclo) (en algunos modelos)

Para guardar el ciclo que prefiera, establezca los valores deseados para los ajustes de ciclo de lavado, nivel de suciedad, velocidad de giro y temperatura de lavado y mantenga pulsado el botón **MY CYCLE** (Mi ciclo) durante 3 segundos. Sonará un pitido para indicar que el ciclo se ha guardado.

Para utilizar el ciclo personalizado, pulse el botón **MY CYCLE** (Mi ciclo) antes de lavar una carga.

Para cambiar el ciclo guardado, establezca los valores deseados y mantenga pulsado el botón **MY CYCLE** (Mi ciclo) durante 3 segundos.

NOTA: Al utilizar **MY CYCLE** (Mi ciclo), no se pueden modificar las opciones de lavado una vez que comience el ciclo.

NOTA: Si cambia las opciones de lavado con **MY CYCLE** (Mi ciclo) antes de que el ciclo comience, el indicador de **MY CYCLE** (Mi ciclo) se apagará y volverá al ciclo base.

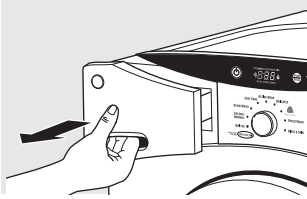


13 BASKET CLEAN (limpieza de tambor)

BasketClean (limpieza de tambor) es un ciclo que refresca el interior de la lavadora. El ciclo utiliza blanqueador y otros limpiadores para lavadoras disponibles y más agua para refrescar la misma. Use **BasketClean** una vez

por mes para reducir los malos olores y la acumulación de residuos dentro de la lavadora.

Para más información sobre **BasketClean**, diríjase a la sección **Cuidado y limpieza** de la página 12.

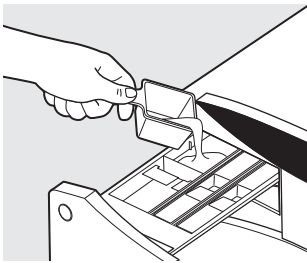


Depósito de detergente

Abra lentamente el depósito de detergente tirando de él hasta que se detenga.

Tras añadir los productos de lavado, ciérrelo despacio. Si cierra el depósito demasiado rápido, puede provocar que la lejía, el suavizante o el detergente se administren antes de tiempo.

Es posible que observe agua en los compartimentos de lejía y suavizante al final del ciclo. Este es el resultado de la acción de trasvase y forma parte del funcionamiento normal de la lavadora.

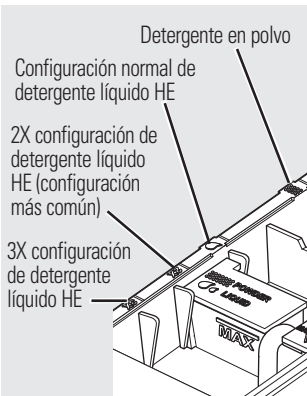


Compartimento de prelavado (en algunos modelos)

- Utilice sólo el compartimento de prelavado si va a seleccionar el ciclo Pre Wash (Prelavado) para prendas muy sucias. Añada la cantidad de detergente o de sustancia de prelavado al compartimento de prelavado situado en la parte posterior izquierda del depósito de detergente.
- El detergente o la sustancia de prelavado se añaden desde el depósito durante el ciclo de prelavado (en caso de que se seleccione).

NOTA: El detergente líquido se vaciará en el tambor de la lavadora a medida que se añade.

- Es posible que haya que ajustar el uso de detergente a la temperatura del agua, a la dureza de la misma, al tamaño y al nivel de suciedad de la carga. Evite utilizar demasiado detergente en la lavadora ya que puede producir demasiado jabón y dejar restos en las prendas.



El aspecto puede variar.

Compartimento para el detergente

- Utilice sólo detergente de alta eficacia con esta lavadora. Use la cantidad recomendada por el fabricante del detergente.

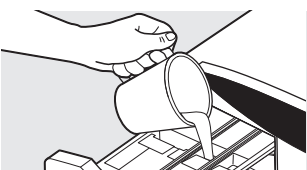
La pieza de selección de detergente se debe colocar en el compartimento de detergente en la posición específica con respecto al tipo de detergente que se vaya a utilizar.

- **Detergente en polvo** – Coloque la pieza en la posición trasera. Los iconos de detergente en polvo deben quedar alineados cuando la pieza esté en la posición de detergente en polvo.
- **Detergente líquido** – Usted tendrá que ajustar la pieza de acuerdo con el tipo de detergente líquido que esté utilizando. Los íconos ubicados sobre el costado del compartimento para detergente deben estar alineados sobre el centro cuando la pieza se encuentra en su posición.

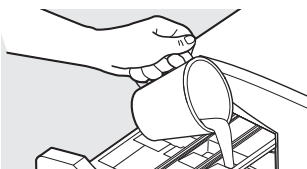
Mueva la pieza sacándola y deslizándola entre las ranuras del compartimento de detergente delantero o trasero, según desee, para detergente líquido o en polvo.

- Añada la medida de detergente al compartimento de detergente delantero izquierdo del depósito.
- El detergente se añade desde el depósito al comienzo del ciclo de lavado. Se puede utilizar tanto detergente en polvo como líquido.
- Es posible que haya que ajustar el uso de detergente a la temperatura del agua, a la dureza de la misma, al tamaño y al nivel de suciedad de la carga. Evite utilizar demasiado detergente en la lavadora ya que puede producir demasiado jabón y dejar restos en las prendas.
- Utilizar más detergente de la cantidad recomendada puede provocar una acumulación de residuos en su lavadora.

NOTA: No todos los modelos tienen las configuraciones para detergentes 2x y 3x. Algunos vienen sólo con la configuración regular HE. Para lograr la configuración 2x ó 3x usted deberá reducir la cantidad de detergente según las instrucciones del envase.



En algunos modelos, el compartimento de lejía líquida se encuentra en el centro.



En algunos modelos, el compartimento de lejía líquida se encuentra a la derecha.

Compartimento para lejía líquida

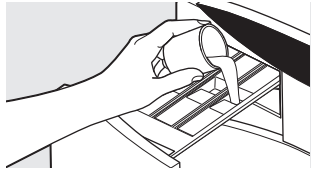
IMPORTANTE: La posición del compartimento de lejía varía con cada modelo. Asegúrese de identificar el compartimento correcto para lejía antes del uso.

Si lo desea, mida la cantidad recomendada de lejía líquida, que no sobrepase 1/3 del recipiente (80 ml) y viértala en el compartimento central con la etiqueta "Liquid Bleach" (Lejía líquida) marcado con este símbolo .

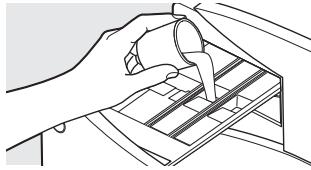
No sobrepase la línea de llenado máximo. Un llenado excesivo puede hacer que la lejía se administre demasiado pronto y, como resultado, dañe las prendas.

NOTA: No utilice lejía en polvo en el depósito.

Acerca de las funciones de la lavadora.



En algunos modelos, el compartimento de suavizante se encuentra a la derecha.



En algunos modelos, el compartimento de suavizante se encuentra en el centro.

Compartimento para el suavizante

IMPORTANTE: La posición del compartimento del suavizante varía con cada modelo. Asegúrese de identificar el compartimento correcto para suavizante antes del uso.

Si lo desea, vierta la cantidad recomendada de suavizante líquido en el compartimento con la etiqueta "Fabric Softener" (Suavizante).

Utilice sólo suavizante líquido en el depósito.

Dilúyalo con agua hasta la línea de llenado máximo.

No sobrepase la línea de llenado máximo. Un llenado excesivo puede hacer que el suavizante se administre demasiado pronto y manche las prendas.

NOTA: No vierta directamente el suavizante sobre la carga.

Carga y uso de la lavadora.

Siga siempre las indicaciones de la etiqueta de cuidado del tejido del fabricante en el lavado y el planchado.



Separación de cargas

Ordene la ropa sucia en cargas que se puedan lavar juntas.

Colores	Suciedad	Tejido	Pelusas
Ropa blanca	Mucha	Prendas delicadas	Prendas que sueltan pelusa
Ropa de colores claros	Normal	Prendas de fácil cuidado	Prendas a las que se adhiere la pelusa
Ropa de colores oscuros	Poca	Prendas resistentes de algodón	

- Combine las prendas grandes y pequeñas en cada carga. Cargue primero las prendas grandes. Las prendas grandes no deben representar más de la mitad de la carga total de lavado.
- No se recomienda lavar prendas sueltas. Esto puede producir una carga desequilibrada. Añada una o dos prendas similares.
- Las almohadas y los edredones no deben mezclarse con otras prendas. Esto puede producir una carga desequilibrada.

Preparación de las prendas

Siga estos pasos para maximizar el cuidado de las prendas.

- Para evitar enganches durante el lavado:
 - Cierre las cremalleras, broches, botones y ganchos.
 - Arregle las costuras, dobladillos y rasgones.
 - Vacíe todos los elementos de los bolsillos.
 - Quite los accesorios no lavables de las prendas tales como adornos y materiales de ribetes no lavables.
- Para evitar los enredos, ate los cordones, hebillas y materiales tipo cinturón.
- Limpie suciedad y pelusas superficiales con un cepillo; trate las manchas.
- Lave rápidamente las prendas húmedas o manchadas para maximizar los resultados.
- Mezcle las prendas utilizando los tamaños máximos recomendados de carga en la página 11.
- Utilice bolsas para prendas de malla de nylon para lavar elementos pequeños.
- Para un mejor resultado, lave muchas prendas al mismo tiempo.



Carga de la lavadora

Puede que el tambor de la lavadora esté totalmente lleno con prendas sueltas que se añadan. **No lave tejidos que contengan materiales inflamables (ceras, líquidos de limpieza, etc.).**

Para añadir prendas una vez que la lavadora esté en marcha, pulse **START/PAUSE** (Iniciar/pausa) y espere hasta que se desbloquee la puerta. La lavadora puede tardar unos 30 segundos en desbloquear la puerta después de pulsar **START/PAUSE** (Iniciar/pausa) dependiendo de las condiciones de la misma. No intente forzar la puerta para abrirla cuando esté bloqueada. Una vez que se desbloquee, ábrala con cuidado. Añada prendas, cierre la puerta y pulse **START/PAUSE** (Iniciar/pausa) para reiniciar el funcionamiento.

Tamaños de carga máximos*

ROPA DE TRABAJO	ROPA DE CAMA	CARGA MIXTA	DELICADOS**	LAVADO RÁPIDO (2-4 PRENDAS)
4 Jeans 5 camisas de trabajo 5 pantalones de trabajo	2 toallones grandes 10 toallas de baño/ 12 toallitas 7 toallas de mano/ 2 alfombras de baño de toalla ○ 2 sábanas rectas tamaño Queen 2 sábanas ajustables tamaño Queen 4 fundas de almohada	4 fundas de almohada 2 toallas de mano 2 sábanas rectas/ 2 sábanas ajustables 2 toallas de baño/ 4 toallitas ○ 6 camisas (de hombre o de mujer) 4 pantalones (Khakis o de sarga) 5 camisetas 7 boxers 4 shorts ○ 6 camisetas 4 pantalones de gimnasia 4 sudaderas 2 sudaderas con capucha 7 pares de medias	7 sostenes 7 pantaletas 3 enaguas 2 camisolas 4 camisones	2 camisas de trabajo informales 1 pantalón de trabajo informal ○ 3 uniformes de fútbol

*Superar los tamaños máximos recomendados de carga puede afectar el desempeño de limpieza y el cuidado de la prenda.

**Se recomienda el uso de una bolsa de malla de nylon para elementos pequeños.

Limpeza de la lavadora.



Cuidado y limpieza

Exterior: Limpie inmediatamente cualquier vertido. Utilice un trapo húmedo. No aplique objetos afilados a la superficie.

Desplazamiento y almacenamiento: Pida al técnico de servicio que elimine el agua de las tuberías y la bomba de desagüe. No guarde la lavadora en un lugar donde esté expuesta a las inclemencias climáticas. Al mover la lavadora, la cuba debe mantenerse estable utilizando los pernos de transporte que se han extraído durante la instalación. Consulte las Instrucciones de instalación en este manual. Si estas piezas no están disponibles, se pueden solicitar a través del sitio Web www.GEAppliances.com o llamando al 800.GE.CARES.

Largas vacaciones: Asegúrese de cortar el agua de todas las llaves de paso. Vacíe todas las tuberías de agua si la temperatura va a encontrarse por debajo de cero grados.

Cómo limpiar la parte interior de la lavadora

Para limpiar la parte interna de la lavadora, seleccione la característica **BasketClean** (limpieza de tambor) del panel de control. El ciclo usa más agua, además de lejía, para refrescar su lavadora.

NOTA: Lea las instrucciones por completo antes de comenzar el ciclo **BasketClean**.

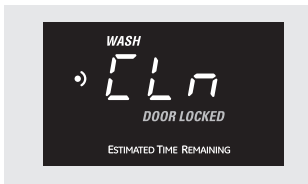
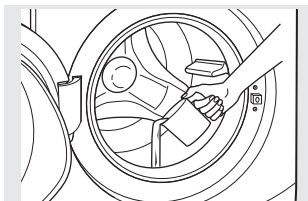
1. Quite las prendas u objetos de la lavadora y verifique que el tambor de la lavadora se encuentre vacío.
2. Abra la puerta de la lavadora y vierta en la canasta una taza o 250 ml de líquido blanqueador u otro limpiador para lavadoras.
3. Cierre la puerta por completo y vuelva a iniciar el ciclo **BasketClean**. Presione el botón **START (inicio)**.
4. Cuando el ciclo **BasketClean** se encuentra en funcionamiento, podrá verse **CLn** en la pantalla. El ciclo se completará en alrededor de 90 minutos. No interrumpa el ciclo.
5. Después de finalizado el ciclo, deje la puerta un poco abierta para una mejor ventilación.

Si por alguna razón debe interrumpirse el ciclo, la puerta no se abrirá de inmediato. Tratar de abrir la puerta en esta etapa puede hacer que el agua se derrame. La puerta se abrirá después de que el agua haya drenado hasta un nivel en el que no inunde el piso.

BasketClean puede interrumpirse presionando el botón **START/PAUSE (inicio/pausa)** entre ciclos. Un corte de energía en el hogar también puede interrumpir el ciclo. Cuando se reanuda el servicio eléctrico, el ciclo **BasketClean** continúa desde el punto en el que se había detenido. Cuando se interrumpe, asegúrese de realizar un ciclo completo de **BasketClean** antes de utilizar la lavadora. Si se presiona el botón **POWER (encendido)** durante **BasketClean**, el ciclo se perderá.

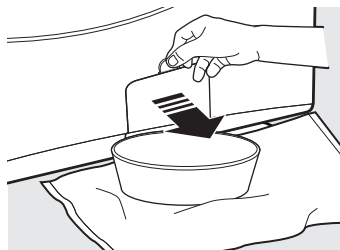
IMPORTANTE:

- Haga funcionar el ciclo **BasketClean** con 1 taza (250 ml) de lejía una vez por mes.
- Después de finalizar un ciclo **BasketClean**, la parte interior de su lavadora puede tener olor a lejía.
- Se recomienda lavar una carga de colores claros después del ciclo **BasketClean**.

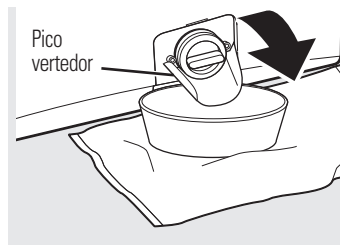


Cómo limpiar el filtro de la bomba

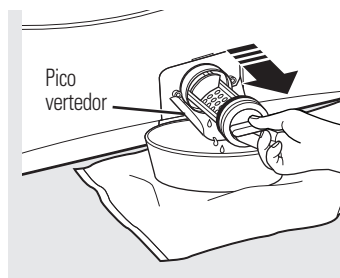
Debido a la naturaleza de la lavadora de carga frontal, es posible que a veces pasen partículas pequeñas a la bomba. La lavadora cuenta con un filtro para capturar los elementos perdidos para que no caigan en el drenaje. Para recuperar los elementos perdidos, limpie el filtro de la bomba.



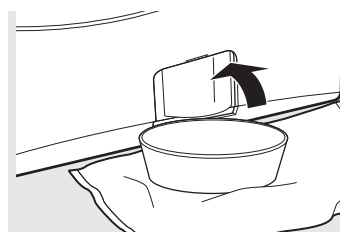
1. Con una moneda o destornillador plano en la ranura de la puerta, abra la puerta de acceso.
2. Coloque una bandeja o plato poco profundos bajo la puerta de acceso y toallas en el piso frente a la lavadora para proteger el piso. Es normal que salga alrededor de una taza de agua cuando se quita el filtro.



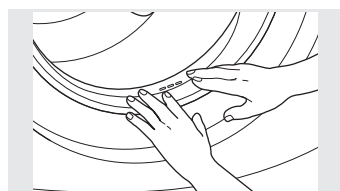
3. Baje el pico vertedor.



4. Gire el filtro de la bomba en sentido contrario a las agujas del reloj y quite el filtro. Abra lentamente para permitir que drene el agua.
5. Limpie los residuos del filtro.
6. Vuelva a colocar el filtro y gire en sentido de las agujas del reloj. Ajuste bien.

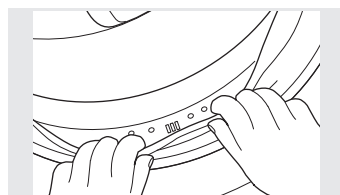


7. Eleve el pico vertedor.
8. Cierre la puerta de acceso.



Cómo limpiar la junta de la puerta

Abra la puerta de la lavadora. Usando ambas manos, presione la junta de la puerta hacia abajo. Quite los objetos extraños que encuentre atrapados dentro de la junta. Asegúrese de que no haya ningún objeto bloqueando los orificios ubicados detrás de la junta.

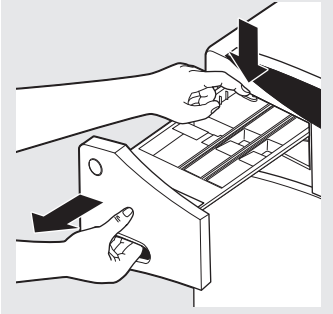


Mientras presiona la junta de la puerta hacia abajo, inspeccione la junta interior jalándola hacia abajo con los dedos. Quite los objetos extraños que encuentre atrapados dentro de esta junta. Asegúrese

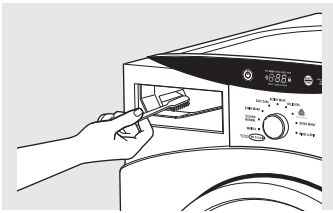
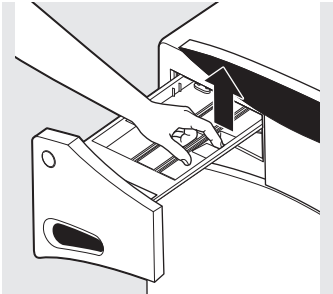
de que no haya ningún objeto bloqueando los orificios ubicados detrás de la junta.

Cuando haya terminado de limpiar la junta de la puerta, quite las manos y la junta volverán a la posición de funcionamiento.

Limpeza de la lavadora.



La lengüeta de bloqueo sólo es visible tras sacar el depósito



Zona del depósito de detergente: El detergente y el suavizante pueden acumularse en el depósito de detergente. Los residuos deben eliminarse una o dos veces al mes.

- Saque el depósito tirando de él hasta que se detenga. En la esquina trasera izquierda de la cavidad del cajón, presione firmemente en la pestaña de bloqueo y tire a la vez del depósito.
- Extraiga las piezas de los compartimentos para lejía y suavizante, así como la pieza del detergente. Lave las piezas y el depósito con agua caliente para eliminar los restos de productos de limpieza acumulados.
- Para limpiar la abertura del depósito, utilice un cepillo pequeño a fin de limpiar los huecos. Retire todos los restos de las partes superior e inferior del hueco.
- Vuelva a colocar las piezas en los compartimentos correspondientes. Introduzca de nuevo el depósito de detergente.

Instrucciones de instalación

Lavadora

Si tiene alguna pregunta, llame a 800.GE.CARES (1.800.432.2737) o visite nuestro sitio Web en: GEAppliances.com

ANTES DE COMENZAR

Lea detenidamente todas las instrucciones.

- **IMPORTANTE** – Guarde estas instrucciones para uso del inspector local.
- **IMPORTANTE** – Cumpla todos los códigos y ordenanzas regulatorias.
- **Nota al instalador** – Asegúrese de dejar estas instrucciones al usuario.
- **Nota al usuario** – guarde estas instrucciones para consultas futuras.
- **Nivel de habilidad** – la instalación de este electrodoméstico requiere habilidades mecánicas y eléctricas básicas.
- **Duración** – de 1 a 3 horas
- La instalación adecuada es responsabilidad del instalador.
- La garantía no cubre fallas producidas por la instalación inadecuada del producto.

PARA SU SEGURIDAD:

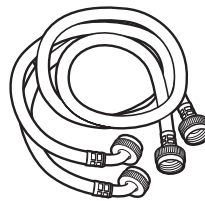
⚠ ADVERTENCIA

- Este electrodoméstico se debe conectar a tierra e instalar correctamente tal y como se describe en estas *Instrucciones de instalación*.
- No instale ni guarde este electrodoméstico en una zona en la que esté expuesto al agua o al exterior. Consulte la sección *Ubicación de la lavadora*.
- **NOTA:** Este electrodoméstico debe estar correctamente conectado a tierra y la corriente eléctrica de la lavadora debe cumplir los códigos y ordenanzas locales, así como la última edición del Código eléctrico nacional, ANSI/NFPA 70.

HERRAMIENTAS NECESARIAS PARA LA INSTALACIÓN DE LA LAVADORA

- Llave para tuercas de 1/4"
- Toma de corriente con trinquete de 3/8"
- Llave de boca de 3/8"
- Llave inglesa o toma de corriente con trinquete de 7/16"
- Llave inglesa o llave de boca de 9/16"
- Alicates ajustables Channel-lock
- Nivel de carpintero

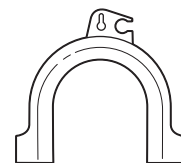
PIEZAS INCLUIDAS



- Tuberías de agua (2)



- Abrazadera de cable



- Guía de tuberías

KIT DE SOPORTE DE APILADO

Un kit de soporte de apilado se encuentra disponible a un costo adicional. Puede solicitarse en los Estados Unidos visitando nuestro sitio Web en GEAppliances.com o llamando a 800.GE.CARES. Solicite el kit #WE25X10018 o GEFLSTACK.

Instrucciones de instalación

UBICACIÓN DE LA LAVADORA

No instale la lavadora:

1. En un área expuesta a goteras o a las condiciones del exterior. La temperatura ambiente no debe ser nunca inferior a 60°F (15,6°C) para que la lavadora funcione correctamente.
2. En una zona en la que pueda entrar en contacto con cortinas u otras telas.
3. Sobre una alfombra. El suelo **DEBE** ser una superficie dura con una inclinación máxima de 1/2" por pie (1,27 cm por cada 30 cm). Para asegurarse de que la lavadora no vibre ni se mueva, es posible que tenga que reforzar el suelo.

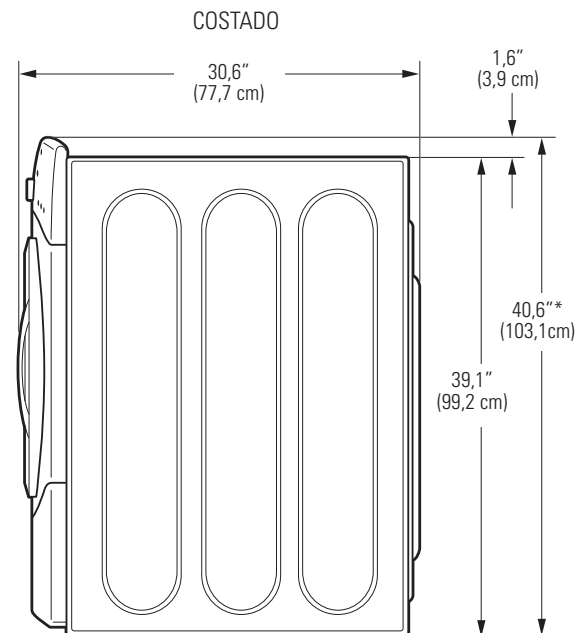
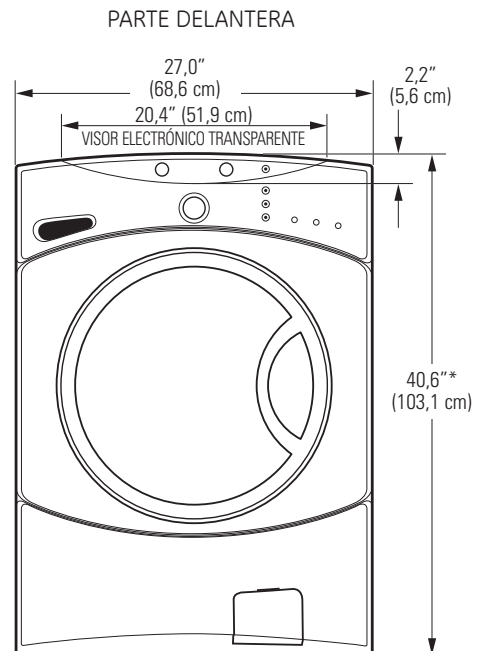
NOTA: Si el suelo se encuentra en mal estado, utilice una plancha con 3/4" de contrachapado bien fija al revestimiento existente en el suelo.

IMPORTANTE:

Distancias mínimas de separación para la instalación

- Cuando se instale en alcoba: costados, parte trasera, parte superior = 0" (0 cm)
- Cuando se instale en un armario: costados, parte trasera, parte superior = 0" (0 cm), parte delantera = 1" (2,54 cm)
- Aberturas de ventilación necesarias en la puerta del armario:
2 listones, cada uno de 60 pulgadas cuadradas (387 cm²), situados a 3" (7,6 cm) de las partes superior e inferior de la puerta

DIMENSIONES APROXIMADAS



*NOTA: Con plataforma, 52,6"
Apilada, 84"

Instrucciones de instalación

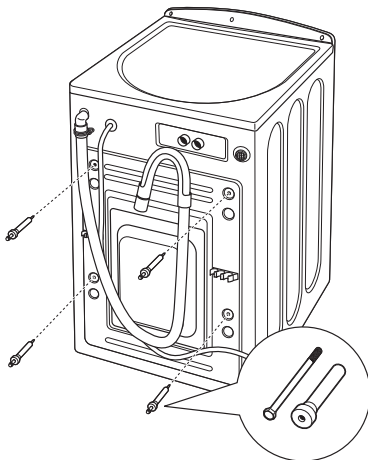
DESEMBALAJE DE LA LAVADORA

⚠ ADVERTENCIA: Recicle o deseche la caja de cartón y las bolsas de plástico una vez que haya desembalado la lavadora. Mantenga estos materiales fuera del alcance de los niños, pues éstos podrían utilizarlos para jugar. Las cajas de cartón cubiertas con mantas, colchas o láminas de plástico pueden convertirse en cámaras de aire herméticas y producir asfixia.

1. Corte y retire las bandas de embalaje superiores e inferiores.
2. Mientras se encuentre dentro de la caja, coloque con cuidado la lavadora sobre el costado de la misma. NO la tumbe por la parte delantera ni trasera.
3. Abra las tapas inferiores y retire todo el embalaje de la base, incluido el cartón, la base y el soporte de la cuba de espuma de poliestireno (insertado en el centro de la base).

NOTA: Si va a instalar una plataforma, continúe con las instrucciones de instalación correspondientes de la misma.

4. Vuelva a levantar la lavadora con cuidado y retire la caja de cartón.
5. Desplace poco a poco la lavadora hasta 4 pies (122 cm) de su ubicación definitiva.
6. Quite las siguientes piezas de la parte trasera de la lavadora:
 - 4 pernos
 - 4 separadores de plástico (incluidas las arandelas de goma)
 - 4 sujeciones del cable de alimentación



NOTA: Si se retiran incorrectamente los pernos de transporte, puede que la lavadora se vea gravemente desequilibrada.

Guarde todos los pernos para uso futuro.

NOTA: Si necesitara transportar la lavadora posteriormente, debe volver a colocar las piezas de sujeción para el transporte con el fin de evitar daños durante el mismo. Guarde dichas piezas en la bolsa de plástico que se incluye.

Si pierde los pernos de embalaje, existen reemplazos disponibles a un costo adicional. Pueden solicitarse en los Estados Unidos visitando nuestro sitio Web en GEAppliances.com o llamando a 800.GE.CARES. Solicite el kit #WH49X10039.

Instrucciones de instalación

REQUISITOS ELÉCTRICOS

Lea detenidamente todas las instrucciones.

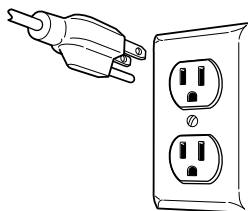
⚠ ADVERTENCIA—PARA MINIMIZAR EL RIESGO DE INCENDIO, DESCARGA ELÉCTRICA O LESIONES PERSONALES:

- **NO USE UN ENCHUFE ADAPTADOR O UN CABLE DE EXTENSIÓN CON ESTE ELECTRODOMÉSTICO.**
La lavadora debe ser conectado a tierra de acuerdo con todos los códigos y ordenanzas locales o, a falta de normativa local, con el Código eléctrico nacional (National Electrical Code) ANSI/NFPA NO. 70.

CIRCUITO – circuito derivado de 15 amperios individual, correctamente polarizado y conectado a tierra, con interruptor o fusible de retardo de 15 amperios.

ALIMENTACIÓN ELÉCTRICA – corriente alterna de 60 Hz, monofásica, de 120 voltios, con conexión a tierra, bifilar.

RECEPTÁCULO DE SALIDA – receptáculo correctamente conectado a tierra con 3 clavijas, situado de forma que se pueda acceder al cable de alimentación cuando la lavadora esté instalada.



REQUISITOS DE CONEXIÓN A TIERRA

⚠ ADVERTENCIA: La conexión incorrecta del conductor de tierra del equipo puede causar riesgos de descargas eléctricas. Consulte a un electricista calificado si tiene dudas acerca de la conexión a tierra correcta del electrodoméstico.

1. La lavadora **DEBE** estar conectada a tierra. En caso de un mal funcionamiento o avería, la conexión a tierra reducirá el riesgo de descargas eléctricas al proporcionar un recorrido de resistencia mínima a la corriente eléctrica.
2. Debido a que la lavadora está equipada con un cable de alimentación que tiene un conductor para conexión a tierra y una clavija de conexión a tierra, la clavija se **DEBE** enchufar en el receptáculo de hilo de cobre apropiado que se haya instalado y conectado a tierra correctamente de acuerdo con todos los códigos y ordenanzas locales o, a falta de normativa local, con el Código eléctrico nacional, ANSI/NFPA 70 (última edición). En caso de duda, llame a un electricista calificado. **NO** corte ni modifique la clavija de conexión a tierra del cable de alimentación. En situaciones en las que exista un receptáculo de dos ranuras, es responsabilidad del propietario que un electricista calificado lo sustituya por **un receptáculo apropiado de tipo de conexión a tierra** para tres clavijas.

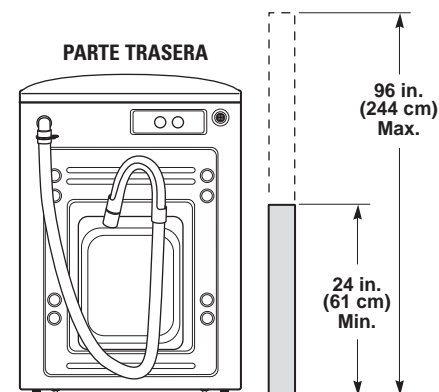
REQUISITOS DE SUMINISTRO DE AGUA

Las llaves de paso de agua caliente y fría **DEBEN** encontrarse a 42 pulgadas (107 cm) como máximo de la toma de agua de la lavadora. Las llaves de paso **DEBEN** ser de 3/4" (1.9 cm) y tipo jardín para que se puedan conectar las tuberías de entrada. La presión del agua **DEBE** estar entre 10 y 120 libras por pulgada cuadrada. La compañía de agua puede informarle de la presión del agua. La temperatura del agua caliente se debe establecer para suministrar agua a una temperatura de entre 120° y 140°F (48° - 60°C).

REQUISITOS DE DESAGÜE

1. Desagüe capaz de eliminar 17 galones (64,3 l) por minuto.
2. Diámetro mínimo de tubería vertical de 1 1/4" (3,18 cm).
3. La altura de la tubería vertical desde el suelo debe ser:

Altura mínima: 24" (61 cm)
Altura máxima: 96" (244 cm)

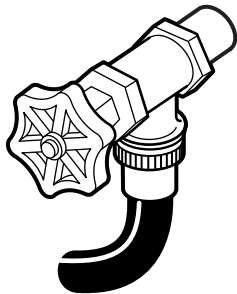
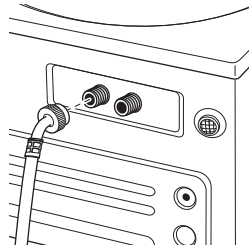


NOTA: La tubería de desagüe de la lavadora puede alcanzar la altura de una tubería vertical de 58" (147 cm). Para una tubería vertical más alta, póngase en contacto con un distribuidor de piezas autorizado.

Instrucciones de instalación

INSTALACIÓN DE LA LAVADORA

1. Deje correr un poco de agua de los grifos de agua caliente y fría para purgar las tuberías de agua y eliminar las partículas que puedan obstruir los filtros de la válvula de agua.
2. Saque las tuberías de entrada de la bolsa de plástico.
3. (Extremo acodado de 90°)
Conecte con cuidado la tubería de entrada marcada con HOT (Caliente) a la salida "H" exterior de la válvula de agua. Apriete con la mano y, a continuación, apriete 2/3 de vuelta con los alicates. Conecte con cuidado la otra tubería de entrada a la salida "C" interior de la válvula de agua. Apriete con la mano y, a continuación, apriete 2/3 de vuelta con los alicates. **No pase las roscas ni apriete excesivamente estas conexiones.**
4. Conecte los extremos de la tubería de entrada a las tomas de agua CALIENTE y FRÍA ajustándolos con la mano y, a continuación, apriete de nuevo 2/3 de vuelta con los alicates. Abra la llave de paso y compruebe que no hay ninguna fuga.

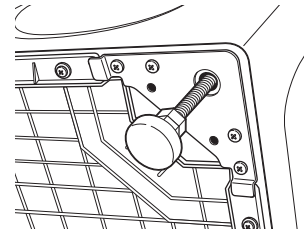


5. Desplace la lavadora con cuidado hasta su ubicación final. Mueva suavemente la lavadora para situarla en su lugar. Es importante no dañar las patas niveladoras de caucho al trasladar su lavadora a su ubicación final. Si las patas se dañan podría aumentar la vibración de la lavadora. Podría ser útil rociar el piso con limpiador para ventanas a fin de trasladar más fácilmente su lavadora a su ubicación final. **NOTA:** Para reducir la vibración, asegúrese de que cada una de las cuatro patas niveladoras estén en contacto con el piso. Empuje y tire de la parte posterior derecha y luego de la parte posterior izquierda de su lavadora.

NOTA: No utilice el depósito de detergente ni la puerta para levantar la lavadora.

NOTA: Si se instala en un depósito de desagüe, puede utilizar una tabla 2x4 de 24 pulgadas de longitud para colocar la lavadora en su lugar haciendo palanca.

6. Una vez situada la lavadora en su posición final, coloque un nivel en la parte superior de la misma (si está instalada debajo de un contador, la lavadora no debería vibrar). Ajuste los soportes de nivelación delanteros hacia arriba o hacia abajo para asegurarse que la lavadora se apoya en una superficie sólida. Gire las contratuercas de cada soporte hacia la base de la lavadora y apriételas con una llave.



NOTA: Mantenga la extensión de los soportes al mínimo para evitar una vibración excesiva. Cuanto más se extiendan los soportes, más vibrará la lavadora.

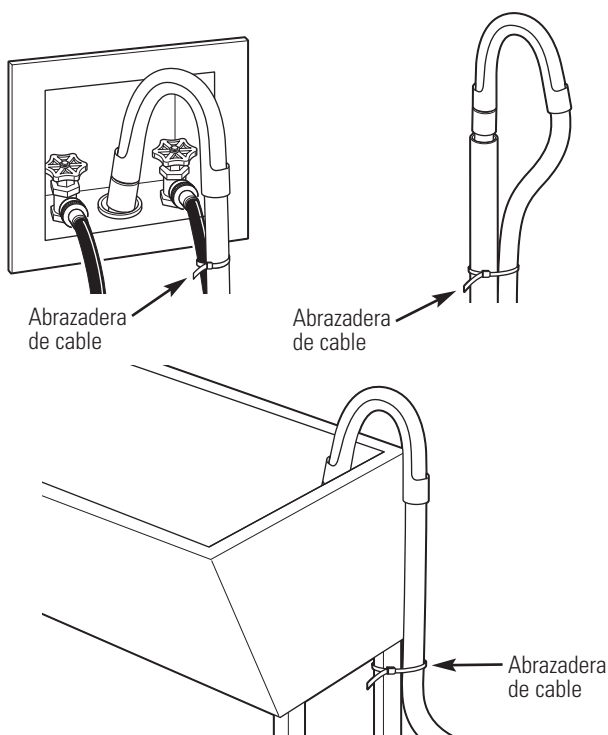
Si el suelo no está nivelado o está dañado, puede que sea necesario extender los soportes de nivelación traseros.

Instrucciones de instalación

INSTALACIÓN DE LA LAVADORA (cont.)

7. Coloque la guía de la tubería en forma de U en el extremo de la tubería de desagüe. Coloque la tubería en una pila de lavar o tubería vertical y sujétela con la abrazadera de cable que se proporciona en el paquete adjunto.

NOTA: Colocar la manguera de drenaje muy debajo de la tubería de drenaje puede provocar un efecto de sifón. No debe haber más de 7 pulgadas de manguera en la tubería de drenaje. Debe haber un espacio de aire alrededor de la manguera de drenaje. Si la manguera está muy ajustada, también puede provocarse un efecto de sifón.



8. Enchufe el cable de alimentación en una salida de conexión a tierra.

NOTA: Asegúrese de que la alimentación está cortada en un interruptor/caja de fusibles antes de enchufar el cable de alimentación a una toma de corriente.

9. Conecte la alimentación a un interruptor/caja de fusibles.
10. Lea el resto del Manual del propietario. Contiene información valiosa y útil que supondrá un ahorro de tiempo y dinero.
11. **Antes de poner en funcionamiento la lavadora, asegúrese de comprobar lo siguiente:**
- La alimentación está conectada.
 - La lavadora está enchufada.
 - Las llaves de paso están abiertas.
 - La lavadora está nivelada y que cada una de las cuatro patas niveladoras estén en contacto con el piso.
 - Las piezas de sujeción para el transporte se han quitado y guardado.
 - La tubería de desagüe se ha asegurado correctamente.
 - No existe ninguna fuga en la llave de paso, la tubería de desagüe ni la lavadora.
12. Ponga en funcionamiento la lavadora en un ciclo completo. Compruebe que no haya fugas de agua y que funcione correctamente.
13. Si la lavadora no funciona, revise la sección *Antes de llamar al servicio de asistencia técnica* antes de ponerse en contacto con el servicio de asistencia técnica.
14. Coloque las instrucciones en un lugar próximo a la lavadora para futuras consultas.

PIEZAS DE REPUESTO

Si se necesitan piezas de repuesto para la lavadora, se pueden solicitar en Estados Unidos a través del sitio Web GEAppliances.com o llamando a 800.GE.CARES.



Consejos para la solución de problemas
¡Ahorre tiempo y dinero! Consulte primero las tablas de las páginas siguientes y quizás no necesite llamar al servicio de asistencia técnica.

Problema	Causas posibles	Solución
No drena No gira No se agita	La carga se encuentra desbalanceada	<ul style="list-style-type: none"> • Redistribuya las prendas y realice un ciclo drain & spin (drenar y girar) o rinse & spin (enjuagar y girar). • Aumente el tamaño de la carga si va a lavar una carga pequeña compuesta de elementos pesados y livianos.
	Obstrucción de la bomba	<ul style="list-style-type: none"> • Para obtener información sobre la limpieza del Filtro de la Bomba, lea la página 13.
	La tubería de desagüe está torcida o no se ha conectado correctamente	<ul style="list-style-type: none"> • Enderece la tubería de desagüe y asegúrese de que la lavadora no está situada sobre la misma.
	Puede que la tubería de desagüe de la vivienda esté obstruida	<ul style="list-style-type: none"> • Compruebe las tuberías de la vivienda. Puede que sea necesario llamar a un plomero.
	La manguera de drenaje está un sifón; la manguera de drenaje fue introducida de manera demasiado profunda en el drenaje	<ul style="list-style-type: none"> • Asegúrese de que haya un espacio de aire entre la manguera y el drenaje.
Fugas de agua	La junta de la puerta está dañada	<ul style="list-style-type: none"> • Revise que la junta esté colocada en su sitio y que no se haya roto. Los objetos dejados en los bolsillos podrían causar daños a la lavadora (clavos, tornillos, lápices, bolígrafos).
	La junta de la puerta no está dañada	<ul style="list-style-type: none"> • El agua podría gotear de la puerta cuando la misma está abierta. Esto forma parte del funcionamiento normal. • Con cuidado limpie el burlete de la puerta. A veces, en el mismo queda suciedad o ropa que pueden provocar un pequeño goteo.
	Revise la parte posterior izquierda de la lavadora para verificar si hay presencia de agua	<ul style="list-style-type: none"> • Si esta área se encuentra mojada, existe una condición de espuma excesiva. Utilice menos cantidad de detergente.
	Las tuberías de toma de agua o la tubería de desagüe no se han conectado correctamente	<ul style="list-style-type: none"> • Asegúrese de que se han apretado correctamente las conexiones de las tuberías de la lavadora y las llaves de paso y que el extremo de la tubería de desagüe se ha introducido y fijado correctamente al desagüe.
	Puede que la tubería de desagüe de la vivienda esté obstruida	<ul style="list-style-type: none"> • Compruebe las tuberías de la vivienda. Puede que sea necesario llamar a un plomero.
	Dispensador tapado	<ul style="list-style-type: none"> • El jabón en polvo puede provocar atascos dentro del dispensador y hacer que salga agua desde el frente del dispensador. Retire el cajón y limpie tanto el interior del cajón como de la caja de suministro. Lea el capítulo de Limpieza de la Lavadora (Cleaning Washer).
	Uso incorrecto del detergente	<ul style="list-style-type: none"> • Utilice detergente de alta eficacia y la cantidad correcta de detergente.
	Fisura en el dispositivo de suministro de jabón	<ul style="list-style-type: none"> • Si se trata de una instalación nueva, controle que no haya fisuras dentro de la caja del dispositivo de suministro.

Instrucciones de seguridad

Instrucciones de funcionamiento

Instrucciones de instalación

Consejos para la solución de problemas

Servicio al consumidor

Antes de llamar al servicio de asistencia técnica...

Instrucciones de seguridad

Instrucciones de funcionamiento

Instrucciones de instalación

Consejos para la solución de problemas

Servicio al consumidor

Problema	Causa posible	Solución
<i>Las prendas están demasiado mojadas</i>	La carga se encuentra desbalanceada	<ul style="list-style-type: none"> • Redistribuya las prendas y realice un ciclo drain & spin (drenar y girar) o rinse & spin (enjuagar y girar). • Aumente el tamaño de la carga si va a lavar una carga pequeña compuesta de elementos pesados y livianos. • La máquina reducirá la velocidad de giro a 410 rpm, si se presentan problemas para equilibrar la carga. Esta velocidad es normal.
	Obstrucción de la bomba	<ul style="list-style-type: none"> • Para obtener información sobre la limpieza del Filtro de la Bomba, lea la página 13.
	Sobrecarga	<ul style="list-style-type: none"> • El peso seco de la carga debe ser inferior a las 16 lbs.
	La tubería de desagüe está torcida o no se ha conectado correctamente	<ul style="list-style-type: none"> • Enderece la tubería de desagüe y asegúrese de que la lavadora no está situada sobre la misma.
	Puede que la tubería de desagüe de la vivienda esté obstruida	<ul style="list-style-type: none"> • Compruebe las tuberías de la vivienda. Puede que sea necesario llamar a un plomero.
<i>Ciclo o temporizador incompleto</i>	La manguera de drenaje está un sifón; la manguera de drenaje fue introducida de manera demasiado profunda en el drenaje	<ul style="list-style-type: none"> • Asegúrese de que haya un espacio de aire entre la manguera y el drenaje.
	Redistribución automática de carga	<ul style="list-style-type: none"> • El temporizador agrega 3 minutos al ciclo, la máquina ha distribuido la carga once o quince veces. Esto forma parte del funcionamiento normal. No debe hacer nada; la máquina terminará el ciclo de lavado.
	Obstrucción de la bomba	<ul style="list-style-type: none"> • Para obtener información sobre la limpieza del Filtro de la Bomba, lea la página 13.
	La tubería de desagüe está torcida o no se ha conectado correctamente	<ul style="list-style-type: none"> • Enderece la tubería de desagüe y asegúrese de que la lavadora no está situada sobre la misma.
	Puede que la tubería de desagüe de la vivienda esté obstruida	<ul style="list-style-type: none"> • Compruebe las tuberías de la vivienda. Puede que sea necesario llamar a un plomero.
<i>Ruido fuerte o poco común; vibración o sacudidas</i>	La manguera de drenaje está un sifón; la manguera de drenaje fue introducida de manera demasiado profunda en el drenaje	<ul style="list-style-type: none"> • Asegúrese de que haya un espacio de aire entre la manguera y el drenaje.
	La lavadora se mueve	<ul style="list-style-type: none"> • La lavadora está diseñada para desplazarse 1/4" para reducir las fuerzas transmitidas al piso. Este movimiento es normal.
	Las patas de nivelación no se encuentran en contacto firme con el piso	<ul style="list-style-type: none"> • Empuje y tire de la parte posterior derecha y luego posterior izquierda de su lavadora para asegurarse de que se encuentre nivelada. Si la lavadora no está nivelada, ajuste las patas niveladoras de caucho de modo que cada una quede en contacto firme con el piso y trabadas en su lugar. Su técnico instalador debería corregir este problema.
	Carga desbalanceada	<ul style="list-style-type: none"> • Abra la puerta y redistribuya la carga manualmente. Para revisar la máquina, ejecute el ciclo de enjuague y giro sin carga. Si esto es normal, la causa del desbalance fue la carga.
	Obstrucción de la bomba	<ul style="list-style-type: none"> • Para obtener información sobre la limpieza del Filtro de la Bomba, lea la página 13.

Problema	Causa posible	Solución
No hay suministro eléctrico/la lavadora no está en funcionamiento	La lavadora está desconectada	<ul style="list-style-type: none"> Asegúrese de que el cable esté enchufado de manera segura en un enchufe funcional.
	El suministro de agua está cerrado	<ul style="list-style-type: none"> Abra por completo las llaves de paso de agua fría y caliente.
	El interruptor/fusible se ha quemado/saltado	<ul style="list-style-type: none"> Compruebe los interruptores/fusibles de la vivienda. Cambie los fusibles o restablezca el interruptor. La lavadora debe tener una toma individual.
	Revisiones automáticas del sistema	<ul style="list-style-type: none"> La primera vez que se enchufa la lavadora, se efectúan las verificaciones automáticas. Podrían pasar hasta 20 segundos antes de que pueda utilizar su lavadora. Esto forma parte del funcionamiento normal.
Enganchones, agujeros, Ver rotos, rasgaduras o deterioro excesivo	Sobrecargado	<ul style="list-style-type: none"> No supere los tamaños máximos recomendados de carga. los tamaños máximos recomendados de carga en la página 11.
	Lápices, bolígrafos, clavos, tornillos u otros objetos dejados en los bolsillos	<ul style="list-style-type: none"> Retire todos los elementos sueltos de los bolsillos.
	Alfileres, broches, corchetes, botones en punta, hebillas de cinturones, cremalleras y objetos puntiagudos olvidados en los bolsillos	<ul style="list-style-type: none"> Abroche los corchetes, broches, botones y cremalleras.
Error o cambios en el control de tiempo	Esto es normal	<ul style="list-style-type: none"> Durante el giro, es posible que en ocasiones se necesite volver a equilibrar la carga de la lavadora a fin de reducir vibraciones. Cuando esto sucede, se produce como consecuencia una prolongación en el tiempo estimado de lavado.
Cantidad de agua insuficiente	Esto es normal	<ul style="list-style-type: none"> Las lavadoras horizontales no requieren que el tubo se llene de agua, como sí ocurre con las lavadoras con carga superior.
La lavadora se detiene o se debe reiniciar o la puerta de la lavadora lavadora está bloqueada y no se abre	Obstrucción de la bomba	<ul style="list-style-type: none"> Para obtener información sobre la limpieza del Filtro de la Bomba, lea la página 13.
La puerta no se destraba o presiona START (inicio) y la máquina no funciona	Esto es normal	<ul style="list-style-type: none"> Las lavadoras con tapa frontal comienzan su funcionamiento de manera diferente que las lavadoras con carga superior, y toma 30 segundos realizar un control del sistema. La puerta se bloqueará y desbloqueará.
	Funcionamiento incorrecto	<ul style="list-style-type: none"> Simplemente abra y cierre la puerta firmemente y luego presione iniciar.
El agua no entra en la lavadora o entra lentamente	Revisiones automáticas del sistema	<ul style="list-style-type: none"> Después de pulsar START (inicio), la lavadora realiza varias revisiones del sistema. El agua fluirá durante 60 segundos luego de que se presione el botón de START (inicio).
	El suministro de agua está cerrado	<ul style="list-style-type: none"> Abra por completo las llaves de paso de agua fría y caliente.
	Los filtros de la válvula de agua están obstruidos	<ul style="list-style-type: none"> Cierre la llave de paso y quite las tuberías de conexión de agua de la parte trasera superior de la lavadora. Utilice un cepillo o un palillo de dientes para limpiar los filtros de la lavadora. Vuelva a conectar las tuberías y abra la llave de paso.
Arrugas	Separación incorrecta	<ul style="list-style-type: none"> Evite mezclar prendas pesadas (como prendas de trabajo) con prendas delicadas (como blusas).
	Sobrecarga	<ul style="list-style-type: none"> Cargue la lavadora de manera que haya suficiente espacio para que las prendas se muevan libremente.
	Ciclo de lavado incorrecto	<ul style="list-style-type: none"> Combine la selección de ciclo con el tipo de tejido que va a lavar (especialmente para cargas de prendas de fácil cuidado).
	Lavado constante en agua	<ul style="list-style-type: none"> Lave las prendas en agua tibia o fría.

Instrucciones de seguridad

Instrucciones de funcionamiento

Instrucciones de instalación

Consejos para la solución de problemas

Servicio al consumidor

Antes de llamar al servicio de asistencia técnica...

Instrucciones de seguridad

Instrucciones de funcionamiento

Instrucciones de instalación

Consejos para la solución de problemas

Servicio al consumidor

Problema	Causa posible	Solución
Prendas oscurecidas o amarillentas	No hay suficiente detergente	<ul style="list-style-type: none"> Utilice la cantidad adecuada de detergente.
	No se utiliza detergente de alta eficacia	<ul style="list-style-type: none"> Utilice detergente de alta eficacia.
	Agua dura	<ul style="list-style-type: none"> Utilice agua lo más caliente posible para no dañar los tejidos. Utilice un acondicionador de agua como, por ejemplo, el de la marca Calgon o instale un ablandador de agua.
	El agua no está suficientemente caliente	<ul style="list-style-type: none"> Asegúrese de que el calentador suministre agua a 120°–140°F (48°–60°C).
	El detergente no se disuelve	<ul style="list-style-type: none"> Pruebe un detergente líquido.
	Tinte	<ul style="list-style-type: none"> Separe las prendas por colores. Si en la etiqueta de la prenda se indica <i>Lavar por separado</i>, puede ser indicio de tintes con poca fijación.
Manchas de color	Uso incorrecto del suavizante	<ul style="list-style-type: none"> Consulte el bote de suavizante para ver las instrucciones y siga las indicaciones de uso del distribuidor.
	Tinte	<ul style="list-style-type: none"> Separe las prendas blancas o de color claro de las prendas oscuras. Saque inmediatamente la carga de la lavadora.
La temperatura del agua no está correcta	El suministro de agua no está conectado correctamente	<ul style="list-style-type: none"> Asegúrese de que las tuberías están conectadas a las tomas correctas.
	El calentador de agua de la vivienda no se ha ajustado correctamente	<ul style="list-style-type: none"> Asegúrese de que el calentador de agua de la vivienda suministre agua a 120°–140°F (48°–60°C).
Pequeña variación del color metálico	Esto es normal	<ul style="list-style-type: none"> Debido a las propiedades metálicas de la pintura utilizada con este producto único, pueden ocurrir pequeñas variaciones de color debido ángulos de visualización y condiciones de iluminación.
Mal olor dentro de la lavadora	La lavadora no se usó durante un período prolongado, no se utiliza una calidad recomendada de detergentes HE (alta eficiencia) o se está usando demasiado detergente	<ul style="list-style-type: none"> Haga funcionar un ciclo BasketClean. En caso de un fuerte olor, puede necesitarse el funcionamiento del ciclo BasketClean más de una vez. Use sólo la cantidad de detergente recomendada en el recipiente del detergente. Use sólo detergente HE (alta eficiencia). Siempre quite rápidamente los elementos húmedos de la lavadora cuando la máquina deja de funcionar. Deje la puerta un poco abierta para que el agua se seque. Se requiere una supervisión estricta cuando este aparato es utilizado por niños o en su cercanía. No permita que los niños jueguen sobre, con o dentro de este o cualquier otro aparato.
Goteo de detergente máxima.	Inserción incorrecta de detergente	<ul style="list-style-type: none"> Asegúrese de que el detergente insertado esté adecuadamente colocado y totalmente seguro. La cantidad de detergente nunca debe superar la línea
	Esto es normal	<ul style="list-style-type: none"> Es normal que durante el funcionamiento se observe una pérdida en la junta de la puerta durante unos 20 segundos, luego de llenar el dispositivo de suministro.
Suministro inadecuado de suavizante o blanqueador	Obstrucción del dispositivo de suministro	<ul style="list-style-type: none"> El dispositivo de suministro se debe limpiar en forma mensual a fin de eliminar la acumulación de químicos.
	Se colocó suavizante o blanqueador por sobre la línea de carga máxima	<ul style="list-style-type: none"> Asegúrese de que la cantidad de suavizante o blanqueador sea correcta.
	Problema con la tapa del suavizante o blanqueador	<ul style="list-style-type: none"> Asegúrese que la tapa del suavizante y del blanqueador para el dispositivo de suministro estén ajustadas o no funcionarán.

Garantía de la lavadora GE.



Todos los servicios de garantía se ofrecen a través de nuestros centros de asistencia técnica o un técnico autorizado de Customer Care®. Para programar servicio de asistencia técnica, visite en línea la página GEAppliances.com o llame al 800.GE.CARES (1.800.432.2737). Cuando llame para solicitar servicio, por favor tenga a mano el número de serie y el número de modelo.

Engrape el recibo aquí. Se necesita el comprobante con la fecha de compra original para que la garantía cubra los servicios.

Período:	Se sustituirá:
Un año A partir de la fecha de adquisición original	Cualquier pieza de la lavadora que falle debido a un defecto en los materiales o la fabricación. Durante este garantía limitada de un año , GE correrá además, sin cargo alguno , con todos los gastos de mano de obra y reparación relacionados para sustituir la pieza defectuosa.

Exclusiones de la garantía (en Estados Unidos):

- Visitas de servicio a domicilio para mostrarle cómo utilizar el producto.
- Instalación, envío o mantenimiento incorrectos.
- Fallas del producto por manipulación, uso incorrecto o distinto al destinado o previsto comercialmente.
- Daños tras la entrega.
- Sustitución de los fusibles de la vivienda o restablecimiento de los interruptores.
- Daños causados por accidentes, incendios, inundaciones o fenómenos naturales.
- Daños emergentes o fortuitos causados por posibles defectos del electrodoméstico.
- Producto no accesible para facilitar el servicio requerido.

EXCLUSIÓN DE GARANTÍAS IMPLÍCITAS—Su único y exclusivo derecho es la reparación del producto, tal y como se indica en esta Garantía limitada. Cualquier garantía implícita, incluyendo las garantías implícitas de comerciabilidad o adecuación para un fin determinado, están limitadas a un año o el período de tiempo más breve permitido por la ley.

Esta garantía se extiende al comprador original y cualquier comprador posterior de productos comprados para uso residencial dentro des Estados Unidos. Si el producto está situado en un área que no dispone de servicio por parte de un proveedor de servicio autorizado de GE, podría tener que hacerse cargo de los costes de envío o bien podría solicitársele que lleve el producto a una centro de servicio de GE autorizado para realizar la reparación. En Alaska, la garantía excluye el costo de envío o las visitas de servicio a su casa.

Algunos estados no permiten la exclusión o las limitaciones de daños incidentales o consecuenciales. Esta garantía da derechos legales específicos, y usted podría tener otros derechos que variarán de estado a estado. Para saber cuáles son sus derechos legales, consulte a la oficina de asuntos del consumidor local o la oficina del Procurador (Attorney General) en su localidad.

Garante: General Electric Company. Louisville, KY 40225

Servicio al consumidor.



Página Web de GE Appliances

GEAppliances.com

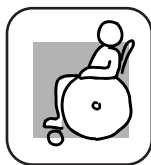
¿Tiene alguna pregunta sobre su electrodoméstico? ¡Pruebe la página Web de GE Appliances, 24 horas al día, cualquier día del año! Para mayor conveniencia y servicio más rápido, ya puede descargar los Manuales de los Propietarios, pedir piezas o incluso hacer una cita en línea para que vengan a realizar una reparación.



Solicite una reparación

GEAppliances.com

El servicio de expertos GE está a tan sólo un paso de su puerta. ¡Entre en línea y solicite su reparación cuando le venga cualquier día del año! O llame al 800.GE.CARES (800.432.2737) durante horas normales de oficina.



Real Life Design Studio (Estudio de diseño para la vida real)

GEAppliances.com

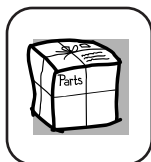
GE apoya el concepto de Diseño Universal—productos, servicios y ambientes que pueden usar gente de todas las edades, tamaños y capacidades. Reconocemos la necesidad de diseñar para una gran gama de habilidades y dificultades físicas y mentales. Para más detalles sobre las aplicaciones de GE Diseño Universal, incluyendo ideas de diseño para la cocina para personas con discapacidades, mire nuestra página Web hoy mismo. Para personas con dificultades auditivas, favor de llamar al 800.TDD.GEAC (800.833.4322).



Garantías ampliadas

GEAppliances.com

Compre una garantía ampliada y obtenga detalles sobre descuentos especiales disponibles mientras su garantía está aún activa. Puede comprarla en línea en cualquier momento, o llamar al (800.626.2224) durante horas normales de oficina. GE Consumer Home Services estará aún ahí cuando su garantía termine.



Piezas y accesorios

GEAppliances.com

Aquellos individuos con la calificación necesaria para reparar sus propios electrodomésticos pueden pedir que se les manden las piezas o accesorios directamente a sus hogares (aceptamos las tarjetas VISA, MasterCard y Discover). Haga su pedido en línea hoy, 24 horas cada día o llamar por teléfono al 800.626.2002 durante horas normales de oficina.

Las instrucciones descritas en este manual cubren los procedimientos a seguir por cualquier usuario. Cualquier otra reparación debería, por regla general, referirse a personal calificado autorizado. Debe ejercerse precaución ya que las reparaciones incorrectas pueden causar condiciones de funcionamiento inseguras.



Póngase en contacto con nosotros

GEAppliances.com

Si no está satisfecho con el servicio que recibe de GE, póngase en contacto con nosotros en nuestra página Web indicando todos los detalles así como su número de teléfono o escríbanos a:

General Manager, Customer Relations
GE Appliances, Appliance Park
Louisville, KY 40225



Registre su electrodoméstico

GEAppliances.com

¡Registre su nuevo electrodoméstico en línea—cuando usted prefiera! El registrar su producto a tiempo le proporcionará, si surgiera la necesidad, una mejor comunicación y un servicio más rápido bajo los términos de su garantía. También puede enviar su tarjeta de registro pre-impresa que se incluye en el material de embalaje o recorte y use el formulario de este Manual del Propietario.