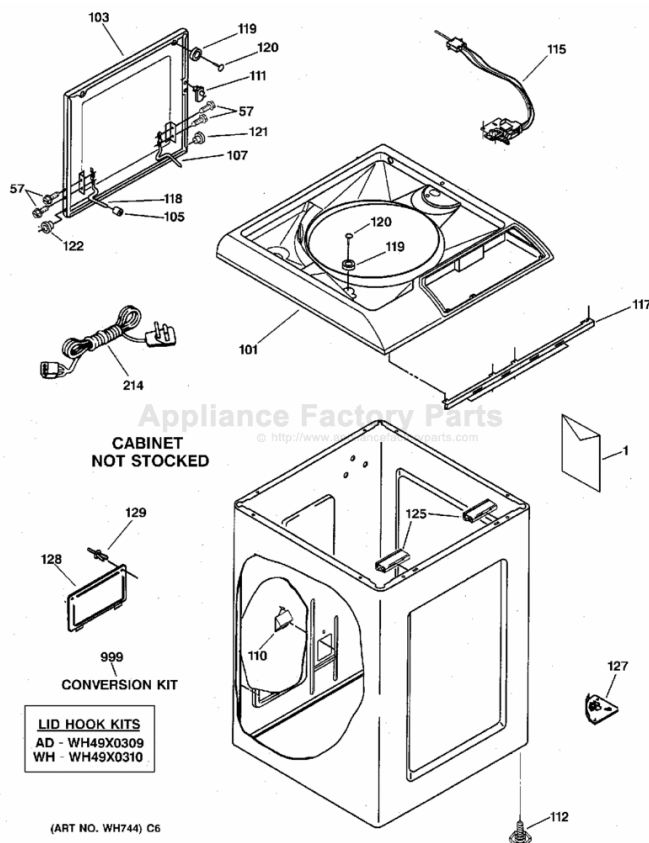


This Owner's Manual is provided and hosted by Appliance Factory Parts.



GE WSKS2060W0WH Owner's Manual

[Shop genuine replacement parts for GE
WSKS2060W0WH](#)



[Find Your GE Washer Parts - Select From 4591 Models](#)

----- Manual continues below -----



GE Appliances

Washers

Owner's Manual

*WSKP2060
WSKS2060*



Part No. 175D1807P259 *Pub. No. 49-9988 12-98 CG*
3967365

Safety Instructions	Safety Information3
Operating Instructions	Operating Instructions Washer Connections4 Control Panels and Settings5 Features6 Loading and Using the Washer7, 8
Troubleshooting Tips	Troubleshooting Tips Before You Call For Service9-11
Customer Service	Customer Service Warranty for United States12 Warranty for Canada13 Service Telephone Numbers14

Congratulations! You Are Now Part of the GE Family.

Welcome to the GE family. We're proud of our quality products and we are committed to providing dependable service. You'll see it in this easy-to-use Owner's Manual and you'll hear it in the friendly voices of our customer service department.

Best of all, you'll experience these values each time you use your washer. That's important, because your new washer will be part of your family for many years. And we hope you will be part of ours for a long time to come.

We thank you for buying GE. We appreciate your purchase, and hope you will continue to rely on us whenever you need quality appliances for your home.

A Service Partnership.



IMPORTANT!

Staple sales slip or cancelled check here.

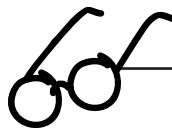
Proof of the original purchase date is needed to obtain service under the warranty.



FOR YOUR RECORDS

Write the model and serial numbers here:

You can find them on a label under the lid near the hinge.



READ THIS MANUAL

Inside you will find many helpful hints on how to use and maintain your washer properly. Just a little preventive care on your part can save you a great deal of time and money over the life of your washer.



IF YOU NEED SERVICE

You'll find many answers to common problems in the *Before You Call For Service* section. If you review our chart of *Troubleshooting Tips* first, you may not need to call for service at all.

If you do need service, you can relax knowing help is only a phone call away. A list of toll-free customer service numbers is included in the back section. Or, **in the United States**, you can always call the GE Answer Center[®], at 800.626.2000, 24 hours a day, 7 days a week. **In Canada**, call 1-800-361-3400.

IMPORTANT SAFETY INFORMATION.

READ ALL INSTRUCTIONS BEFORE USING.

⚠ WARNING! For your safety, the information in this manual must be followed to minimize the risk of fire or explosion, electric shock, or to prevent property damage, personal injury, or loss of life.



WATER HEATER SAFETY

Under certain conditions hydrogen gas may be produced in a water heater that has not been used for two weeks or more. Hydrogen gas can be explosive under these circumstances.

If the hot water has not been used for two weeks or more, prevent the possibility of damage or injury by turning on all hot water faucets and allowing them to run for several minutes. Do this before using any electrical appliance which is connected to the hot water system. This simple procedure will allow any built-up hydrogen gas to escape. Since the gas is flammable, do not smoke or use an open flame or appliance during this process.



PROPER INSTALLATION

This washer must be properly installed and located in accordance with the Installation Instructions before it is used. If you did not receive an Installation Instructions sheet, you can receive one by calling, toll-free, **in the United States** the GE Answer Center[®], 800.626.2000. **In Canada**, call, 1-800-361-3400.

- Install or store where it will not be exposed to temperatures below freezing or exposed to the weather.
- Properly ground washer to conform with all governing codes and ordinances. Follow details in Installation Instructions.



YOUR LAUNDRY AREA

- Keep the area underneath and around your appliances free of combustible materials such as lint, paper, rags, chemicals, etc.
- Close supervision is necessary if this appliance is used by or near children. Do not allow children to play on, with, or inside this or any other appliance.



WHEN USING THE WASHER

- Never reach into washer while it is moving. Wait until the machine has completely stopped before opening the lid.
- The laundry process can reduce the flame retardancy of fabrics. To avoid such a result, carefully follow the garment manufacturer's wash and care instructions.
- Do not mix chlorine bleach with ammonia or acids such as vinegar and/or rust remover. Mixing different chemicals can produce a toxic gas which may cause death.
- To minimize the possibility of electric shock, unplug this appliance from the power supply or disconnect the washer at the household distribution panel by removing the fuse or switching off the circuit breaker before attempting any maintenance or cleaning. **NOTE:** Turning the Cycle Selector knob to an off position does **NOT** disconnect the appliance from the power supply.
- Do not wash or dry articles that have been cleaned in, washed in, soaked in, or spotted with combustible or explosive substances (such as wax, oil, paint, gasoline, degreasers, dry-cleaning solvents, kerosene, etc.) which may ignite or explode. Do not add these substances to the wash water. Do not use or place these substances around your washer or dryer during operation.
- Never attempt to operate this appliance if it is damaged, malfunctioning, partially disassembled, or has missing or broken parts, including a damaged cord or plug.

Use this appliance only for its intended purpose as described in this Owner's Manual.



WHEN NOT IN USE

- Turn off water faucets to relieve pressure on hoses and valves and to minimize leakage if a break or rupture should occur. Check the condition of the fill hoses; they may need replacement after 5 years.
- Do not attempt to repair or replace any part of this appliance unless specifically recommended in this Owner's Manual, or in published user-repair instructions that you understand and have the skills to carry out.
- Before discarding a washer, or removing it from service, remove the washer lid to prevent children from hiding inside.
- Do not tamper with controls.



Read and follow this Safety Information carefully.

SAVE THESE INSTRUCTIONS

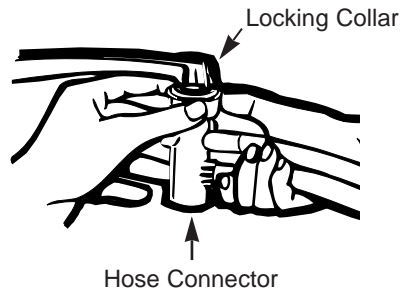
Washer Connections for WSKP2060.

Portable One-Faucet Connection

Use the hose connector provided with the washer for a one faucet connection.

To connect the washer:

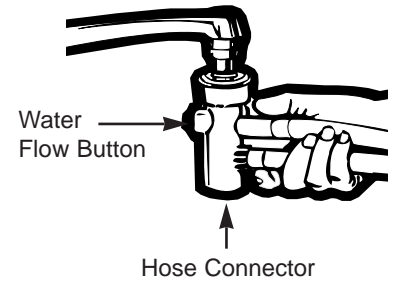
- Lift the hoses off the storage rack on the back of the washer.
- Attach the hose connector to the faucet adapter by pulling down on the locking collar while lifting up on the connector until it snaps into place.
- Make sure the Temperature selector is set at **COLD/COLD**.



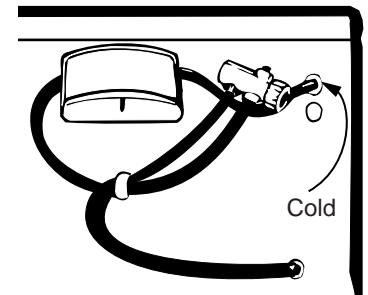
- Slowly turn on the water faucet all the way to the desired temperature setting.
- Pull the electrical power cord from the back of the washer. Plug the power cord into a 3-prong grounded outlet.

To disconnect the washer:

- Unplug the electrical power cord and put it back in its storage area.
- Turn the water faucet off.
- Press the red Water Flow button to release the water pressure.

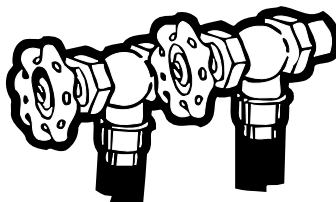


- Move the locking collar down and pull the hose connector down to disengage from the faucet adapter.
- Drain water from the hoses through the hose connector.
- Hang the hoses on the storage rack.



Portable Two-Faucet Connections

If you have two separate water connections, your washer can be connected to both the hot and cold water faucets. This kit can be purchased from your dealer or from Parts and Accessories. *In the United States*, call 800.626.2002. *In Canada*, consult the yellow pages for your local Camco number.



To connect the washer:

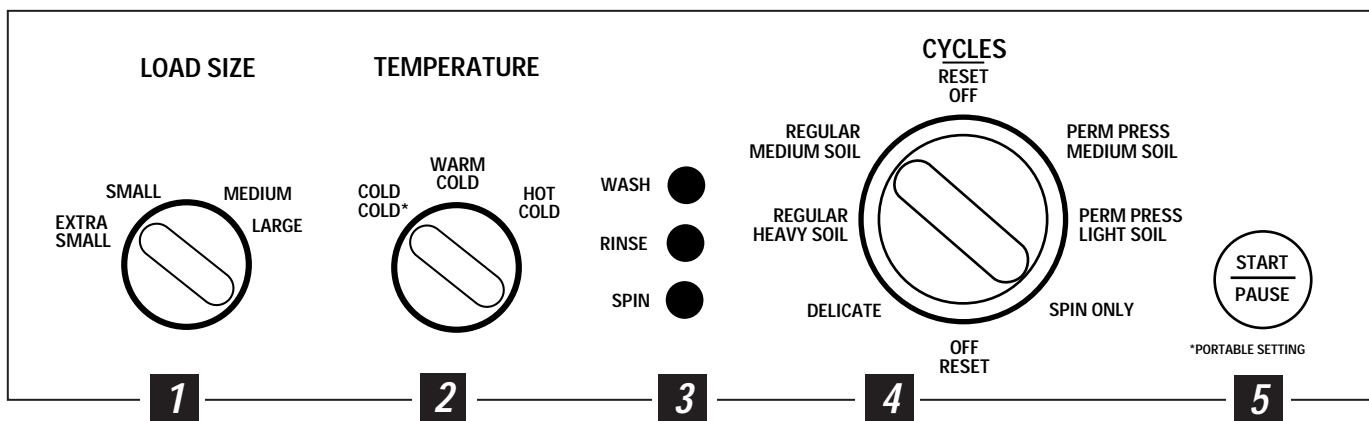
- Connect hot and cold water inlet hoses to the hot and cold faucets.
- Secure the drain hose to the sink or stand pipe.
- Plug the power cord into a 3-prong grounded outlet.

To disconnect the washer:

- Turn water faucets off.
- Unplug power cord and return it to the storage area.
- Disconnect the drain and water supply hoses. Hang them on the storage rack.

Find your washer control panel.

You can locate your model number behind the top edge of the control panel.



About the control settings.

1 Load Size

The water level should just cover the clothes. Adjust the load size accordingly. Loosely load clothes no higher than the top row of holes in the washer tub.

2 Temperature

Select the water temperature for the wash and rinse cycles. **NOTE:** When using a one-faucet connection, adjust the water flow mix and water temperature at the faucet. Always follow fabric manufacturer's care label or instructions when laundering.

3 Cycle Lights

These cycle lights show the operation being performed in the selected cycle. When the cycle is complete, all the lights will be off.

4 Wash Cycle

The wash cycle controls the length of the washing process. **NOTE:** The cycle knob will **NOT** rotate as the cycle progresses. The chart below will help you match the wash cycle setting with your clothing.

REGULAR For heavy to lightly soiled cottons, household linens, work and play clothes.

PERM PRESS For easy care and wrinkle-resistant items.

DELICATE For lingerie and delicate fabrics with light to normal soil.

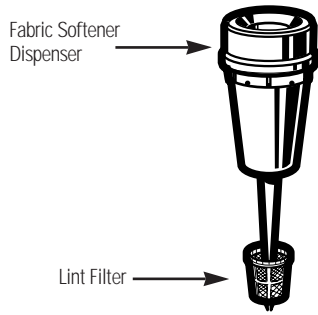
SPIN ONLY For handwash items that you don't want to drip dry. Excess water will be spun out.

RESET/OFF To change the wash cycle setting after starting, turn the dial to **RESET/OFF** to end the cycle. Select your new cycle and push the **START/PAUSE** button to start.

5 Start/Pause button

Press the **START/PAUSE** button to start the wash cycle. Also see the description for **RESET/OFF**.

About washer features.



Lint Filter

Clean the lint filter at the bottom of the agitator after every load for the best filtering results.

To clean:

1. Lift off fabric softener dispenser from agitator.
2. Clean out the lint filter with your finger.
3. Push the fabric softener dispenser firmly back into the agitator.

Fabric Softener Dispenser

The *fabric softener dispenser* automatically releases liquid fabric softener at the proper time during the cycle.

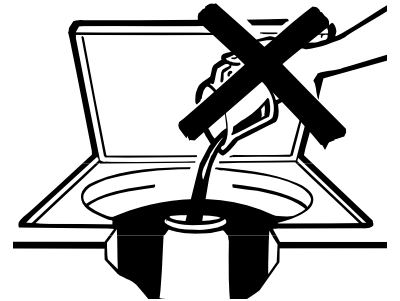
Do not stop the washer during the first spin. This will cause the dispenser to empty too soon.

To use, follow these steps:

1. Make sure dispenser is securely attached to agitator.
2. Use only liquid fabric softener. Pour into dispenser, using amount recommended on package.

Never pour fabric softener directly on clothes. It may stain them.

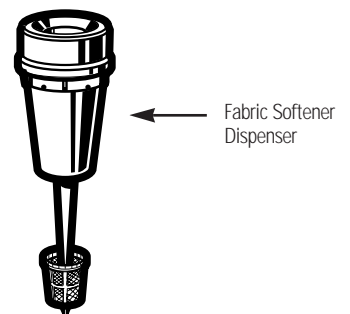
3. Add water to dispenser until it reaches the maximum fill line.



Do not pour anything into the agitator if the agitator cap or dispenser is removed.

Cleaning Fabric Softener Dispenser

1. Lift off the fabric softener dispenser from the agitator.
2. Pour hot water into the fabric softener dispenser to clean it.
3. Push the fabric softener dispenser firmly back into the agitator.

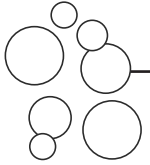


Loading and using the washer. Always follow fabric manufacturer's care label when laundering.



Sorting Wash Loads

Colors	Soil	Fabric	Lint
Whites	Heavy	Delicates	Lint Producers
Lights	Normal	Easy Care	Lint Collectors
Darks	Light	Sturdy Cottons	



Proper Use of Detergent

Add detergent and start the washer before adding clothes so that the detergent can work effectively. Using too little or too much detergent is a common cause of laundry problems.

You can use less detergent if you have soft water, a smaller load, or a lightly soiled load.



Loading the Washer

Load dry items loosely, no higher than the top row of holes in the washer tub. When loading wet items make sure you set the load/water level high enough to allow the items to move freely. Water level should just cover the clothes. To add items after washer has started, open the lid and add the additional items. Close the lid and the washer will continue washing.

- Do not wrap large items like sheets around the agitator.
- Do not wash fabrics containing flammable materials (waxes, cleaning fluids, etc.).
- When the lid is up, the washer will not agitate and the tub will not fill with water.



Care and Cleaning of the Washer

Wash Basket: Leave the lid open after washing to allow moisture to evaporate. If you want to clean the basket use a clean soft cloth dampened with liquid detergent, then rinse. (Do not use harsh or gritty cleaners.)

Fill Hoses: Hoses connecting washer to faucet should be replaced every 5 years.

Lint Filter: The lint filter is located at the bottom of the agitator. It should be cleaned after every load for the best filtering results.

Exterior: Immediately wipe off any spills. Wipe with damp cloth. Try not to hit surface with sharp objects.

Moving and Storage: Ask the service technician to remove water from drain pump and hoses. Do not store the washer where it will be exposed to the weather. In the **United States** call the GE Answer Center[®], 800.626.2000 for information on how to keep the tub stationary when moving the washer. In **Canada** write to Manager, Consumer Relations, Camco Inc., 1 Factory Lane, Suite 310, Moncton, N.B. E1C 9M3.

Long Vacations: Be sure water supply is shut off at faucets. Drain all water from hoses if weather will be below freezing.

Loading and using the washer. Always follow fabric manufacturer's care label when laundering.



Fabric Care Labels

Below are fabric care label "symbols" that affect the clothing you will be laundering.

WASH LABELS

Machine wash cycle						
	Normal	Permanent Press/ wrinkle resistant	Gentle/ delicate	Hand wash	Do not wash	Do not wring
Water temperature						
	Hot (50°C/120°F)		Warm (40°C/105°F)		Cold/cool (30°C/85°F)	

DRY LABELS

Tumble dry						
	Dry	Normal	Permanent Press/ wrinkle resistant	Gentle/ delicate	Do not tumble dry	Do not dry (used with do not wash)
Heat setting						
	High	Medium	Low	No heat/air		
Special instructions						
	Line dry/ hang to dry	Drip dry	Dry flat	In the shade		

BLEACH LABELS

Bleach symbols			
	Any bleach (when needed)	Only non-chlorine bleach (when needed)	Do not bleach



Permanent Installation for model WSKP2060

This washer can be converted from portable to permanent. Instructions for permanent installation come with the washer.

You will need two fill hoses, one drain hose and four leveling legs. These can be purchased from your dealer or from Parts and Accessories. **In the United States**, call 800.626.2002. **In Canada**, consult the yellow pages for your local Camco number.

Before you call for service...



Troubleshooting Tips
Save time and money! Review the charts on the following pages first and you may not need to call for service.

WATER	Possible Causes	What To Do
<i>Too many suds</i>	Type of detergent	<ul style="list-style-type: none"> Switch to a lower sudsing detergent brand and follow instructions on package.
	Very soft water	<ul style="list-style-type: none"> Try less detergent.
	Too much detergent.	<ul style="list-style-type: none"> Measure your detergent carefully. Use less soap if you have soft water, a smaller load, or a lightly soiled load.
<i>Water leaks</i>	Fill hoses or drain hose is improperly connected	<ul style="list-style-type: none"> Make sure hose connections are tight at faucets and the washing machine. Make sure the end of the drain hose is correctly inserted in and secured to the drain.
	Household drain may be clogged	<ul style="list-style-type: none"> Check household plumbing. You may need to call a plumber.
	Constant water pressure to the fill hoses at the water source	<ul style="list-style-type: none"> Tighten hoses at the faucets and turn the water off after each use. Check condition of the fill hoses; they may need replacement after 5 years.
	Using too much detergent in washer	<ul style="list-style-type: none"> Use less detergent. Use less soap if you have soft water, a smaller load, or a lightly soiled load.
<i>Water temperature is incorrect</i>	Control is not set properly	<ul style="list-style-type: none"> Check water temperature control and adjust.
	Water supply is turned off or improperly connected	<ul style="list-style-type: none"> Turn both hot and cold faucets fully on and make sure hoses are connected to correct faucets.
	Water valve screens are stopped up	<ul style="list-style-type: none"> Turn off the water source and remove the water connection hoses from the upper back of the washer. Use a brush or toothpick to clean the screens in the machine. Reconnect the hoses and turn the water back on.
	House water heater is not set properly	<ul style="list-style-type: none"> Make sure house water heater is delivering water at 120°F.-140°F. (48°C.-60°C.).
<i>Water won't drain</i>	Drain hose is kinked or improperly connected	<ul style="list-style-type: none"> Straighten drain hose and make sure washer is not sitting on it. Top of drain outlet should be less than 8 ft. above floor.

Before you call for service...

OPERATION	Possible Causes	What To Do
Washer pauses in cycle	The washer normally pauses between washing steps	
Washer won't operate	Washer is unplugged	• Make sure cord is plugged securely into a working outlet.
	Water supply is turned off	• Turn both hot and cold faucets fully on.
	Controls are not set properly	• Check controls and make sure START/PAUSE is pressed.
	Lid is open	• Close lid and press START/PAUSE .
	Circuit breaker/fuse is tripped/blown	• Check house circuit breakers/fuses. Replace fuses or reset breaker. Washer should have separate outlet.
Water does not fill in the portable unit	Inlet valve is not hooked up properly on the unit	• Portable water hose must be hooked to C and the Temperature selector must be set to COLD/COLD .
		• Lid must be closed.

PERFORMANCE	Possible Causes	What To Do
Clothes too wet	Incorrect spin cycle selected	• Make sure the spin cycle selected matches the load you are washing. Some fabrics will feel wetter when rinsed with cold water.
Colored spots	Incorrect use of fabric softener	• Check fabric softener package for instructions and follow directions for using dispenser. • Pretreat stain and rewash.
	Dye transfer	• Sort whites or lightly colored items from dark colors.
Grayed or yellowed clothes	Not enough detergent	• Use more detergent (especially with larger loads).
	Hard water	• Use a water conditioner like Calgon brand or install a water softener.
	Water is not hot enough	• Make sure water heater is delivering water at 120°F.-140°F. (48°C.-60°C.).
	Washer is overloaded	• Select load size to match clothes load.
	Detergent is not dissolving	• Add detergent as wash basket fills with water before you load clothes.
	Dye transfer	• Sort clothes by color. If fabric label states <i>wash separately</i> , unstable dyes may be indicated.

Lint or residue on clothes	Clothes are air or line dried	• If you do not dry your clothes with a clothes dryer, your clothes may retain more lint.
	Incorrect sorting	• Separate lint producers from lint collectors.
	Washing too long	• Wash small loads for a shorter time than larger loads.
	Detergent not dissolving	• Add detergent as wash basket fills with water, before you load clothes.
		• Try a liquid detergent.
		• Use warmer water temperature.
	Overloading	• Load clothes no higher than the top row of holes in the washer tub. • Make sure load size selector matches clothes load size.
Incorrect use of fabric softener	• Check fabric softener package for instructions and follow directions for using dispenser.	

<i>(con) PERFORMANCE</i>	<i>Possible Causes</i>	<i>What To Do</i>
Pilling	Result of normal wear on poly-cotton blends and fuzzy fabrics	<ul style="list-style-type: none"> While this is not caused by the washer, you can slow the pilling process by washing garments inside out.
Snags, holes, tears, rips or excessive wear	Pins, snaps, hooks, sharp buttons, belt buckles, zippers, and sharp objects left in pockets	<ul style="list-style-type: none"> Fasten snaps, hooks, buttons, and zippers. Remove loose items like pins, objects in pockets and sharp buttons. Turn knits (which snag easily) inside out.
	Undiluted chlorine bleach	<ul style="list-style-type: none"> Check bleach package instructions for proper amount. Never add undiluted bleach to wash or allow clothes to come in contact with undiluted bleach.
	Chemicals like hair bleach or dye, permanent wave solution	<ul style="list-style-type: none"> Rinse items that may have chemicals on them before washing.
Wrinkling	Improper sorting	<ul style="list-style-type: none"> Avoid mixing heavy items (like work clothes) with light items (like blouses). Try a fabric softener.
	Overloading or incorrect water level	<ul style="list-style-type: none"> Load your washer so clothes have enough room to move freely.
	Incorrect wash and dry cycles	<ul style="list-style-type: none"> Match Cycle selection to the type of fabric you are washing (especially for easy care loads).
	Repeated washing in water that is too hot	<ul style="list-style-type: none"> Wash in warm or cold water.
NOISE	Possible Causes	What To Do
Washer is noisy	Washer is uneven	<ul style="list-style-type: none"> To level the washer, adjust the leveling legs by rotating the individual legs in the proper direction for up or down.
	Washer load is unbalanced	<ul style="list-style-type: none"> Press the START/PAUSE button to stop the washer, open the lid and redistribute the load evenly. Close the lid and restart.
	Shipping foam is still assembled in unit	<ul style="list-style-type: none"> Remove foam blocks from the bottom of the washer.
	Washer is sitting too close to wall (causes knocking during cycle)	<ul style="list-style-type: none"> Pull washer away from the wall; about 4" is needed.
OTHER	Possible Causes	What To Do
Labels on the exterior of the washer will not peel off cleanly	Occasionally the adhesive used on the labels does not release cleanly	<ul style="list-style-type: none"> Use a hair dryer set at the lowest heat setting, directing the air at the label for a short amount of time. This will release the adhesive easily, without damaging the surface of the washer.

GE Washer Warranty (For customers in the United States.)



All warranty service provided by our Factory Service Centers or an authorized Customer Care® technician. For service, call 1-800-GE-CARES.

For The Period Of: We Will Replace:

One Year
From the date of the original purchase

Any part of the washer which fails due to a defect in materials or workmanship. During this **full one-year warranty**, GE will also provide, **free of charge**, all labor and in-home service to replace the defective part.

Five Years
From the date of the original purchase

The transmission, if it should fail due to a defect in materials or workmanship. During this **five-year limited warranty**, you will be responsible for any labor or in-home service costs.

What Is Not Covered:

- Service trips to your home to teach you how to use the product.
- Improper installation.
- Failure of the product if it is abused, misused, or used for other than the intended purpose or used commercially.
- Replacement of house fuses or resetting of circuit breakers.
- Damage to the product caused by accident, fire, floods or acts of God.
- Incidental or consequential damage to personal property caused by possible defects with this appliance.

This warranty is extended to the original purchaser and any succeeding owner for products purchased for home use within the USA. In Alaska, the warranty excludes the cost of shipping or service calls to your home.

Some states do not allow the exclusion or limitation of incidental or consequential damages. This warranty gives you specific legal rights, and you may also have other rights which vary from state to state. To know what your legal rights are, consult your local or state consumer affairs office or your state's Attorney General.

Warrantor: General Electric Company, Louisville, KY 40225

GE Washer Warranty (For customers in Canada.)



All warranty service provided by our Factory Service Centers or an authorized technician.
For service, call 1-800-361-3400.

For The Period Of: We Will Replace:

One Year From the date of the original purchase	Any part of the washer which fails due to a defect in materials or workmanship. During this full one-year warranty , GE will also provide, free of charge , all labor and in-home service to replace the defective part.
Five Years From the date of the original purchase	The transmission , if it should fail due to a defect in materials or workmanship. During this five-year limited warranty , you will be responsible for any labor or in-home service costs.

What Is Not Covered:

- Service trips to your home to teach you how to use the product.

Read your Owner's Manual. If you then have any questions about operating the product, please contact your dealer or our Consumer Relations office at:

Manager, Consumer Relations
Camco Inc.
1 Factory Lane, Suite 310
Moncton, N.B.
E1C 9M3

- Improper installation.

If you have an installation problem, contact your dealer or installer. You are responsible for providing adequate electrical, exhausting and other connecting facilities.

- Replacement of house fuses or resetting of circuit breakers.
- Failure of the product if it is misused, or used for other than the intended purpose or used commercially.
- Damage to product caused by accident, fire, floods or acts of God.

WARRANTOR IS NOT RESPONSIBLE FOR CONSEQUENTIAL DAMAGES.

Warrantor: CAMCO INC.

Service Telephone Numbers.



GE Answer Center® In the U.S.: 800-626-2000

The GE Answer Center® is open 24 hours a day, 7 days a week.

In Canada, contact: Manager, Consumer Relations, Camco Inc., 1 Factory Lane, Suite 310, Moncton, N.B., E1C 9M3.



In-Home Repair Service In the U.S.: 800-432-2737

Expert GE repair service is only a phone call away.

In Canada, call 1-800-361-3400.



Special Needs Service In the U.S.: 800-626-2000

GE offers, free of charge, a brochure to assist in planning a barrier-free kitchen for persons with limited mobility. **In the U.S.**, call 800-TDD-GEAC (800-833-4322).



Service Contracts In the U.S.: 800-626-2224

Purchase a GE service contract while your warranty is still in effect and you'll receive a substantial discount. GE Consumer Service will still be there after your warranty expires.

In Canada, call 1-800-461-3636.



Parts and Accessories In the U.S.: 800-626-2002

Individuals qualified to service their own appliances can have parts or accessories sent directly to their homes (VISA, MasterCard and Discover cards are accepted).

Instructions contained in this manual cover procedures to be performed by any user. Other servicing generally should be referred to qualified service personnel. Caution must be exercised, since improper servicing may cause unsafe operation.

In Canada, please consult the yellow pages for your local Camco number.



Service Satisfaction

If you are not satisfied with the service you receive from GE:

First, contact the people who serviced your appliance.

Next, if you are still not pleased, **in the U.S.**, write all the details—including your phone number—to: Manager, Consumer Relations, GE Appliances, Appliance Park, Louisville, KY 40225; or, **in Canada**, to Director, Consumer Relations, Camco Inc., 1 Factory Lane, Suite 310, Moncton, N.B., E1C 9M3.

Finally, if your problem is still not resolved, write Major Appliance Consumer Action Program, 20 North Wacker Drive, Chicago, IL 60606 (U.S. only).



Électroménagers GE

Laveuses

Manuel d'utilisation

WSKP2060

WSKS2060



Part No. 175D1807P259 Pub. No. 49-9978 12-98 CG

Mesures de sécurité	Mesures de sécurité3
Fonctionnement	Directives de fonctionnement <i>Raccordements pour la laveuse</i>4 <i>Les tableaux de commande</i>5 <i>Les caractéristiques</i>6 <i>Chargement et utilisation de la laveuse</i>7, 8
Conseils de dépannage	Conseils de dépannage <i>Avant d'appeler un réparateur</i>9-11
Service à la clientèle	Service à la clientèle <i>Garantie</i>13 <i>Numéros de service</i>14

Félicitations!

Désormais vous faites partie de la famille GE.

Bienvenue dans la famille GE. Nous sommes fiers de la qualité de nos produits et de la fiabilité de notre service après-vente. Vous le constaterez dans le présent manuel, facile à utiliser, et dans la voix amicale de notre personnel du service à la clientèle.

Mais, surtout, vous le constaterez chaque fois que vous ferez votre lessive. C'est important, car votre nouvelle laveuse fera partie de votre famille pendant des années. Et nous espérons que vous ferez partie de la nôtre pendant longtemps aussi.

Nous vous remercions de votre achat GE, et espérons qu'à l'avenir vous penserez à nous chaque fois que vous aurez besoin d'un électroménager de qualité.

Un partenariat de service.



IMPORTANT!

Agrafez ici votre facture ou une copie de votre chèque.

Pour bénéficier de réparations sous garantie, il faut fournir une preuve de la date d'achat d'origine.



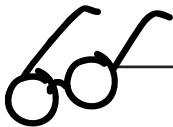
À CONSERVER SOIGNEUSEMENT

Transcrivez les numéros de modèle et de série ici.

N^o _____

N^o _____

Vous les trouverez sur une étiquette située sous le couvercle, à proximité de la charnière.



LISEZ VOTRE MANUEL

Vous y trouverez de nombreux conseils pour l'utilisation et l'entretien de votre laveuse. Ces quelques mesures préventives vous permettront d'économiser du temps et de l'argent, et, ainsi, de prolonger la vie de votre laveuse.



SI VOUS AVEZ BESOIN DE SERVICE

Vous trouverez des solutions aux problèmes courants que vous pourriez rencontrer dans la section *Avant d'appeler un réparateur*. Et, en consultant d'abord nos *Conseils de dépannage*, vous pourrez peut-être éviter de faire appel à un réparateur.

Si vous avez besoin de service, vous savez que vous n'avez qu'à nous téléphoner. Vous trouverez à la fin du présent manuel les numéros sans frais du service à la clientèle. **Aux États-Unis**, vous pouvez appeler 24 heures par jour, 7 jours par semaine au GE Answer Center[®], 800.626.2000. **Au Canada**, appelez le 1-800-361-3400.

MESURES DE SÉCURITÉ IMPORTANTES. LISEZ D'ABORD TOUTES LES DIRECTIVES.

▲ MISE EN GARDE! Pour votre sécurité, suivez les directives fournies dans le présent manuel afin de minimiser les risques d'incendie, d'explosion et de chocs électriques et prévenir des dégâts matériels et des blessures graves ou mortelles.



SÉCURITÉ DU CHAUFFE-EAU

Dans certaines circonstances, de l'hydrogène peut se former dans le chauffe-eau s'il n'a pas été utilisé pendant deux semaines ou plus. L'hydrogène peut être explosif dans ces conditions.

Si l'eau chaude n'a pas été utilisée depuis deux semaines ou plus, réduisez les risques de dommages ou de blessures

en ouvrant tous les robinets d'eau chaude et en laissant couler l'eau pendant plusieurs minutes avant d'utiliser un appareil électrique raccordé au système d'eau chaude. L'hydrogène sera ainsi libéré dans l'atmosphère. Comme c'est un gaz inflammable, ne fumez pas ou n'utilisez pas une flamme nue ou un appareil ménager ou cours de ce processus.



UNE INSTALLATION ADÉQUATE

Avant d'utiliser votre laveuse, assurez-vous qu'elle a été adéquatement installée, conformément aux Directives d'installation. Si vous n'avez pas reçu de Directives d'installation, vous pouvez les obtenir en appelant sans frais **aux États-Unis** au GE Answer Center®, 800.626.2000. **Au Canada**, appelez sans frais au 1-800-361-3400.

- Installez ou entreposez la laveuse à l'abri des températures inférieures au point de congélation et des intempéries.
- Mettez la laveuse à la terre conformément à tous les codes et règlements en vigueur. Consultez les Directives d'installation.



AUTOUR DE VOTRE LAVEUSE

- Évitez toute accumulation de matériaux combustibles (charpie, papiers, chiffons, produits chimiques, etc.) à proximité de vos électroménagers.
- Il faut exercer une étroite surveillance lorsque l'appareil fonctionne en présence d'enfants. Ne les laissez pas jouer sur, avec ou à l'intérieur de cet appareil ni aucun autre électroménager.



N'utilisez cet appareil que pour l'usage auquel il est destiné, comme expliqué dans le présent manuel.

LORSQUE VOUS UTILISEZ LA LAVEUSE

- Ne mettez jamais la main dans la laveuse pendant qu'elle fonctionne. Attendez que l'appareil se soit complètement arrêté avant d'ouvrir le couvercle.
- Ne mélangez pas de javellisant avec de l'ammoniaque ou des acides (vinaigres ou décapant pour la rouille). Ce mélange peut produire un gaz toxique et mortel.
- Ne lavez pas et ne séchez pas des articles qui ont été lavés ou trempés dans des produits combustibles ou explosifs (cire, huile, peinture, essence, dégraissants, solvants de nettoyage à sec, kérosène, etc.). Ne versez pas ces substances dans l'eau de lavage. N'utilisez pas ces substances à proximité de votre laveuse ou sècheuse pendant qu'elle fonctionne.
- La lessive peut atténuer les propriétés ignifugeantes des tissus. Pour éviter cette situation, suivez les directives données par le fabricant du vêtement.
- Pour réduire les risques de chocs électriques, débranchez toujours l'appareil ou débranchez la laveuse au panneau de distribution en enlevant le fusible ou en déclenchant le disjoncteur avant de la réparer ou de la nettoyer. **REMARQUE** : Le fait de régler le sélecteur de programme sur une position d'arrêt ne coupe **PAS** l'alimentation électrique de l'appareil.
- N'essayez jamais de faire fonctionner l'appareil s'il est endommagé, défectueux, partiellement démonté, si des pièces sont manquantes ou défectueuses ou si le cordon d'alimentation ou la fiche est endommagé.



LORSQUE LA LAVEUSE N'EST PAS UTILISÉE

- Fermez les robinets afin de réduire la pression et les fuites si jamais un boyau ou l'électrovanne se brise ou se rompt. Vérifiez l'état des boyaux de remplissage; il faudra peut-être les remplacer au bout de 5 ans.
- Avant de jeter ou d'entreposer une laveuse, enlevez le couvercle de l'appareil afin d'empêcher les enfants de se cacher à l'intérieur.
- Ne réparez et ne remplacez aucune pièce de cet appareil, à moins que cela soit spécifiquement recommandé dans le présent manuel ou dans des directives de réparation que vous comprenez et que vous êtes en mesure de suivre.
- Ne trafiquez pas les commandes de l'appareil.



Veuillez lire et suivre attentivement ces mesures de sécurité.

CONSERVEZ CES DIRECTIVES

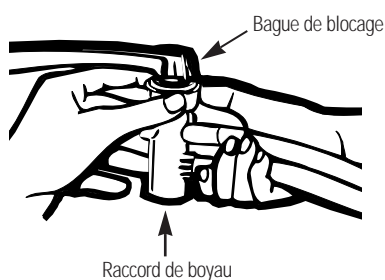
Raccordements pour la laveuse WSKP2060.

Raccordement à un seul-robinet

Dans le cas d'un raccordement à un seul robinet, utilisez le raccord de boyau fourni avec la laveuse.

Pour raccorder la laveuse :

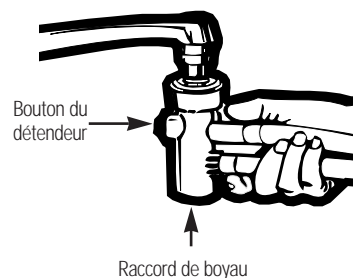
- Dégagez les boyaux du support de rangement à l'arrière de la laveuse.
- Fixez le raccord de boyau à l'adaptateur du robinet en abaissant la bague de blocage tout en insérant l'adaptateur dans le raccord jusqu'à ce qu'il bloque en place.
- Assurez-vous que le sélecteur de température est réglé à **COLD/COLD** (froide/froide).



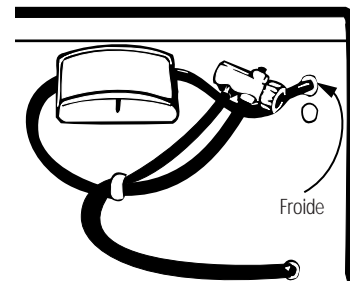
- Ouvrez lentement le robinet jusqu'à l'obtention de la température désirée.
- Tirez le cordon d'alimentation à l'arrière de la laveuse. Branchez-le dans une prise de courant à trois alvéoles mise à la terre.

Pour débrancher la laveuse :

- Débranchez le cordon d'alimentation et remettez-le en place dans son compartiment de rangement.
- Fermez le robinet.
- Appuyez sur le bouton rouge du détendeur pour réduire la pression de l'eau.



- Abaissez la bague de blocage et tirez vers le bas sur le raccord de boyau pour le dégager de l'adaptateur du robinet.
- Faites sortir l'eau des boyaux par le raccord de boyau.
- Suspendez les boyaux sur le support de rangement.



Raccordement à deux-robinets

Si vous disposez de deux robinets distincts, vous pouvez raccorder votre laveuse simultanément aux robinets d'eau chaude et d'eau froide. Vous pouvez vous procurer cet ensemble auprès de votre marchand ou au Service des pièces et accessoires. **Aux États-Unis**, composez le 800.626.2002. **Au Canada**, consultez les Pages Jaunes de votre annuaire téléphonique pour connaître le numéro de la succursale Camco de votre région.

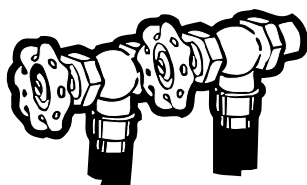
Pour raccorder la laveuse :

- Raccordez les boyaux d'eau chaude et d'eau froide aux robinets d'eau chaude et d'eau froide.

- Fixez le boyau de vidange dans l'évier ou le renvoi.
- Branchez le cordon d'alimentation dans une prise à trois alvéoles mise à la terre.

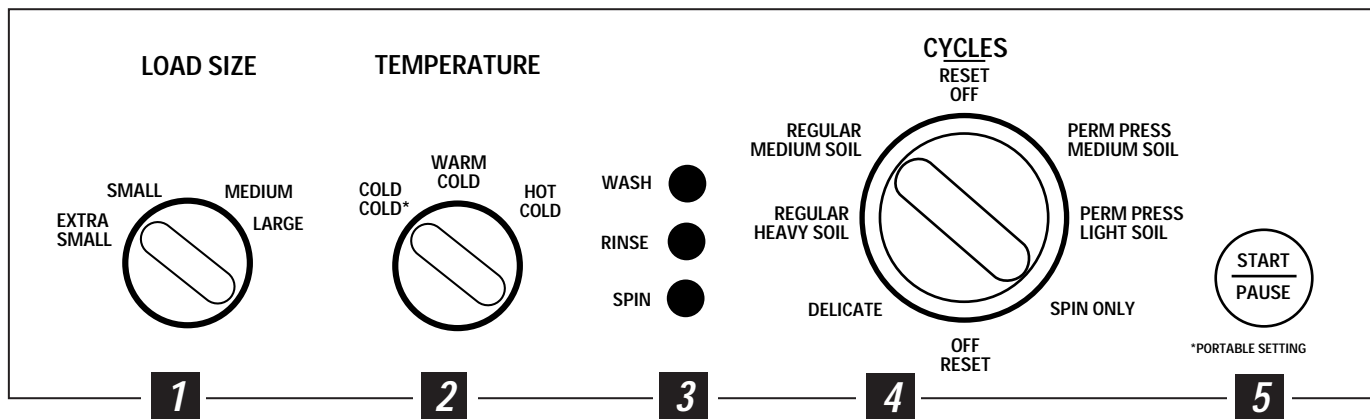
Pour débrancher la laveuse :

- Fermez les robinets.
- Débranchez le cordon d'alimentation et remettez-le en place dans son compartiment de rangement.
- Débranchez le boyau de vidange et les boyaux de remplissage. Suspendez-les sur le support de rangement.



Les commandes de votre laveuse.

Vous pouvez trouver le numéro de votre modèle sur une étiquette située sous le couvercle, à proximité de la charnière.



Réglage des commandes.

1 Load Size (taille de brassée)

Le niveau d'eau doit être suffisant pour couvrir le linge. Réglez donc la taille de votre brassée en conséquence. Assurez-vous que les vêtements ont suffisamment de place pour bouger librement et ne dépassent pas la rangée supérieure de trous de la cuve.

2 Temperature (température)

Sélectionnez une température d'eau pour les programmes de lavage et de séchage.

REMARQUE : Lorsque l'appareil est raccordé à un seul-robinet, réglez le débit et la température de l'eau au robinet. Lors de la lessive, observez toujours les directives données sur l'étiquette d'entretien du vêtement.

3 Cycle Lights (voyants des programmes)

Ces voyants indiquent l'opération en cours dans le programme choisi. Lorsque le programme est terminé, tous les voyants s'éteignent.

4 Wash Cycle (programme de lavage)

Le programme de lavage détermine la durée du lavage. **REMARQUE :** Le bouton du sélecteur de programme ne tourne **PAS** pendant le déroulement du programme. Le tableau ci-dessous vous aidera à choisir le programme de lavage qui convient à votre brassée.

REGULAR (régulier) Pour les cotons légèrement ou très sales, le linge de maison et les vêtements de travail ou de jeu.

PERMA PRESS (sans repassage) Pour les articles à entretien facile et ceux qui résistent aux faux-plis.

DELICATE (tissus délicats) Pour la lingerie fine et les tissus délicats légèrement ou normalement sales.

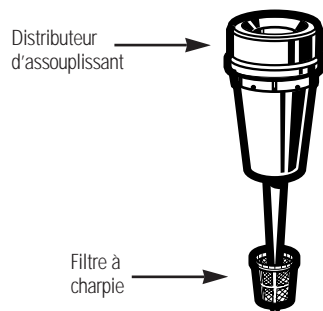
SPIN ONLY (seulement essorage) Pour les articles délicats que vous ne voulez pas faire sécher par égouttement. L'excès d'eau sera éliminé par essorage.

RESET/OFF (réinitialisation/arrêt) Si vous désirez modifier le programme après que la laveuse se soit mise en marche, tournez le sélecteur de programme à **RESET/OFF** (réinitialisation/arrêt) pour terminer le programme. Tournez-le ensuite au nouveau programme. Appuyez sur le bouton **START/PAUSE** (mise en marche/pause) pour mettre la laveuse en marche.

5 Start/Pause button (mise en marche/pause)

Appuyez sur le bouton **START/PAUSE** (mise en marche/pause) pour débiter le programme de lavage. Voir également la description du bouton **RESET/OFF** (réinitialisation/arrêt).

Les caractéristiques de la laveuse.



Filtre à charpie

Pour un filtrage adéquat, nettoyez après chaque brassée le filtre à charpie situé au fond de l'agitateur.

Pour le nettoyer :

- 1 Enlevez le distributeur d'assouplissant de l'agitateur.
- 2 Nettoyez le filtre de la conduite avec votre doigt.
- 3 Remettez le distributeur d'assouplissant en place sur l'agitateur.



Distributeur d'assouplissant

Ce distributeur verse automatiquement l'assouplissant liquide au moment approprié pendant le programme.

N'arrêtez pas la laveuse au cours du premier essorage. L'assouplissant sera distribué trop tôt.

Pour l'utiliser, suivez les étapes ci-dessous :

- 1 Assurez-vous que le distributeur est bien installé sur l'agitateur.
- 2 N'utilisez que de l'assouplissant liquide.
- 3 Versez dans le distributeur la quantité d'assouplissant liquide recommandée sur l'emballage.

Ne versez jamais d'assouplissant liquide directement sur le linge. Les vêtements seront tachés.

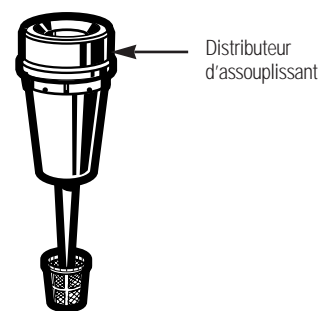
- 3 Ajoutez de l'eau dans le distributeur jusqu'au repère de remplissage maximum.



Ne versez aucun produit dans l'agitateur lorsque le distributeur est enlevé.

Nettoyage du distributeur d'assouplissant

- 1 Enlevez le distributeur d'assouplissant de l'agitateur.
- 2 Versez de l'eau très chaude dans le distributeur d'assouplissant pour le nettoyer.
- 3 Remettez le distributeur d'assouplissant en place sur l'agitateur.



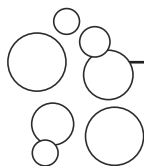
Chargement et utilisation de la laveuse.

Lors de la lessive, observez toujours les directives données sur l'étiquette d'entretien du vêtement.



Tri du linge

Couleurs	Saleté	Tissu	Charpie
Blancs	Très sale	Délicat	Tissus qui produisent de la charpie
Couleurs pâles	Moyennement sale	Entretien facile	Tissus qui recueillent la charpie
Couleurs foncées	Peu sale	Cotons et toiles	



Utilisation correcte du détersif

Ajoutez toujours du détersif avant d'ajouter des vêtements pour que le détersif puisse être vraiment efficace. L'utilisation d'une quantité insuffisante de détersif est une cause courante de problèmes de lessive.

Vous pouvez utiliser moins de détersif si votre eau est douce, si votre brassée est petite ou si votre linge est légèrement sale.



Chargement de la laveuse

Ajoutez les articles secs en vous assurant que les vêtements ne sont pas entassés et que leur niveau ne dépasse pas celui de la rangée supérieure de trous de la cuve. Lorsque vous placez dans la laveuse des articles mouillés, assurez-vous que le niveau d'eau est suffisamment élevé pour permettre aux articles de bouger librement. Le niveau d'eau doit être suffisant pour couvrir les vêtements. Pour ajouter des articles après que la laveuse se soit mise en marche, ouvrez le couvercle et ajoutez les articles supplémentaires. Refermez le couvercle et la laveuse poursuivra le lavage.

- *N'enroulez pas les articles de grande dimension, comme les draps, autour de l'agitateur.*
- *Ne lavez pas de tissus imbibés de substances inflammables (cire, liquides de nettoyage, etc.) dans votre laveuse.*
- *Lorsque le couvercle est ouvert, il n'y a pas d'agitation et la laveuse ne se remplit pas.*



Entretien et nettoyage de votre laveuse

Panier : Après la lessive, laissez le couvercle ouvert pour permettre à l'humidité de s'évaporer. Si vous désirez nettoyer le panier, utilisez un linge doux et propre imbibé de détergent liquide, puis rincez. (N'utilisez pas de produits nettoyants abrasifs.)

Boyaux de remplissage : Remplacez tous les cinq ans les boyaux reliant la laveuse aux robinets.

Filtre à charpie : Le filtre à charpie se trouve au fond de l'agitateur. Pour un filtrage adéquat, il faut le nettoyer après chaque brassée.

Extérieur : Essayez immédiatement tout produit renversé avec un linge humide. Évitez de frapper la surface avec des objets tranchants.

Entreposage et déménagement : Demandez à un réparateur de vidanger l'eau de la pompe et des boyaux. Entrez la laveuse à l'abri des intempéries. **Aux États-Unis,** appelez au GE Answer Center[®], 800.626.2000, pour des renseignements sur comment garder stationnaire le panier lorsque vous déménagez la laveuse. **Au Canada,** écrivez au : Directeur, Relations avec les consommateurs, Camco Inc., 1, Factory Lane, Bureau 310, Moncton, N.B. E1C 9M3

Vacances prolongées : Coupez l'alimentation en eau aux robinets. Vidangez l'eau des boyaux si la température risque de descendre sous le point de congélation.

Chargement et utilisation de la laveuse.

Lors de la lessive, observez toujours les directives données sur l'étiquette d'entretien du vêtement.



Étiquettes d'entretien des tissus

Les "symboles" ci-dessous se trouvent sur les étiquettes d'entretien et ont un effet sur le lavage de vos vêtements.

ÉTIQUETTES POUR LE LAVAGE

Programme de lavage						
	Normal	Tissus sans repassage/ résistants aux plis	Doux/ délicat	Lavage à la main	Ne pas laver	Ne pas essorer
Température de l'eau						
	Chaude (50°C/120°F)	Tiède (40°C/105°F)	Froide/fraîche (30°C/85°F)			

ÉTIQUETTES POUR LE SÉCHAGE

Séchage par culbutage						
	Sécher	Normal	Tissus sans repassage/ résistants aux plis	Doux/ délicat	Séchage par culbutage interdit	Ne pas sécher (en combinaison avec ne pas laver)
Réglage de la chaleur						
	Haute	Moyenne	Basse	Sans chaleur/air		
Directives spéciales						
	Séchage sur corde/ pendre pour sécher	Laisser égoutter	Séchage à plat	Séchage à l'ombre		

ÉTIQUETTES POUR L'EAU DE JAVEL

Symboles d'eau de Javel			
	Toutes les eaux de Javel (si nécessaire)	Eaux de Javel sans chlore (si nécessaire)	Eau de Javel interdite



Installation permanente du modèle WSKP2060

Cette laveuse mobile peut être transformée en modèle permanente. Des directives d'installation permanente sont fournies avec la laveuse.

Vous aurez besoin de deux boyaux de remplissage, d'un boyau de vidange et de quatre pieds de nivellement. Vous pouvez vous procurer ces pièces auprès de votre marchand ou de Service des pièces et accessoires. **Aux États-Unis**, composez le 800.626.2002. **Au Canada**, consultez les Pages Jaunes de votre annuaire pour connaître le numéro de la succursale Camco de votre région.

Avant d'appeler un réparateur...



*Conseils de dépannage
Économisez du temps et de l'argent! Consultez d'abord les tableaux qui suivent. Vous pourriez vous éviter d'appeler un réparateur.*

<i>Eau</i>	<i>Causes possibles</i>	<i>Correctifs</i>
<i>Moussage excessif</i>	Type de détersif	<ul style="list-style-type: none"> • Adoptez un détersif qui mousse moins et suivez les directives sur l'emballage.
	Eau très douce	<ul style="list-style-type: none"> • Utilisez moins de détersif.
	Trop de détersif	<ul style="list-style-type: none"> • Mesurez soigneusement le détersif. Utilisez moins de détersif si votre eau est douce, si votre brassée est petite ou si votre linge est légèrement sale.
<i>Fuites d'eau</i>	Boyaux de remplissage ou boyau de vidange mal raccordés	<ul style="list-style-type: none"> • Assurez-vous que les raccords sont bien serrés au niveau des robinets et de la laveuse. Assurez-vous que l'extrémité du boyau de vidange est solidement inséré dans le renvoi.
	Renvoi bouché	<ul style="list-style-type: none"> • Vérifiez la plomberie. Vous aurez peut-être besoin d'appeler un plombier.
	Pression d'eau constante aux boyaux de remplissage raccordés	<ul style="list-style-type: none"> • Serrez les boyaux aux robinets et fermez les robinets après chaque utilisation. • Vérifiez l'état des boyaux de remplissage; ils ont peut-être besoin d'être remplacés après cinq ans.
	Utilisation d'une trop grande quantité de détersif dans la laveuse	<ul style="list-style-type: none"> • Utilisez moins de détersif. Utilisez moins de détersif si votre eau est douce, si votre brassée est petite ou si votre linge est légèrement sale.
<i>La température de l'eau est incorrecte</i>	Commandes mal réglées	<ul style="list-style-type: none"> • Vérifiez le sélecteur de température de l'eau et réglez-le.
	Robinet fermés ou boyaux mal réglés	<ul style="list-style-type: none"> • Ouvrez complètement les robinets d'eau chaude et d'eau froide et assurez-vous que chaque boyau est raccordé au bon robinet.
	Rondelles-filtres de l'électrovanne obstruées	<ul style="list-style-type: none"> • Fermez le robinet et dévissez les boyaux à l'arrière supérieur de la laveuse. Utilisez une brosse ou un cure-dent pour nettoyer les rondelles-filtres de la laveuse. Raccordez de nouveau les boyaux et ouvrez les robinets.
	Température incorrecte de l'eau du chauffe-eau	<ul style="list-style-type: none"> • Assurez-vous que la température de l'eau du chauffe-eau varie entre 120 °F et 140 °F (48 °C et 60 °C).
<i>La laveuse ne se vide pas</i>	Boyau de vidange pincé ou mal raccordé	<ul style="list-style-type: none"> • Redressez le boyau de vidange et assurez-vous qu'il n'est pas coincé sous la laveuse. • La partie supérieure du boyau de vidange doit être à moins de 8 pi (2,5 m) au-dessus du sol.
<i>Fonctionnement</i>	<i>Causes possibles</i>	<i>Correctifs</i>
<i>La laveuse s'arrête pendant les programmes</i>	Pauses normales entre les étapes de lavage	
<i>La laveuse ne fonctionne pas</i>	Laveuse non branchée	<ul style="list-style-type: none"> • Assurez-vous que le cordon d'alimentation est bien branché dans une prise opérationnelle.
	Robinet fermés	<ul style="list-style-type: none"> • Ouvrez complètement les robinets d'eau chaude et d'eau froide.
	Commandes mal réglées	<ul style="list-style-type: none"> • Vérifiez les commandes et assurez-vous d'avoir appuyé sur START/PAUSE (mise en marche/pause).

Avant d'appeler un réparateur...

Fonctionnement (suite)	Causes possibles	Correctifs
La laveuse ne fonctionne pas	Couvercle ouvert	• Fermez le couvercle, et appuyez sur START/PAUSE (mise en marche/pause).
	Disjoncteur déclenché/ fusible grillé	• Vérifiez le disjoncteur/fusibles de la résidence. Remplacez le fusible ou réenclenchez le disjoncteur. La laveuse doit être branchée dans une prise distincte.
La laveuse mobile ne se remplit pas	Le raccordement n'a pas été effectué correctement à l'électrovanne de la laveuse	• Le boyau de la laveuse mobile doit être raccordé à C et le sélecteur de température doit être réglé à COLD/COLD (froide/froide). • Le couvercle doit être fermé.
Rendement	Causes possibles	Correctifs
Vêtements trop mouillés	Choix d'un programme incorrect	• Vérifiez si le programme choisi correspond à la brassée que vous lavez. Certains tissus rincés avec de l'eau froide sembleront plus mouillés.
Taches de couleur	Utilisation incorrecte de l'assouplissant	• Vérifiez les directives sur la bouteille d'assouplissant et suivez les directives pour l'utilisation du distributeur. • Prétraitez la tache et relavez l'article.
	Transfert de colorant	• Séparez les articles blancs et de couleur pâle des vêtements de couleur foncée.
Vêtements grisâtres ou jaunis	Quantité insuffisante de détersif	• Utilisez plus de détersif (surtout pour les grosses brassées).
	Eau dure	• Utilisez un adoucisseur, comme celui de marque Calgon, ou installez un adoucisseur d'eau.
	Eau trop froide	• Assurez-vous que la température de l'eau de votre chauffe-eau varie entre 120 °F et 140 °F (48 °C et 60 °C).
	Surcharge	• Réglez le type de brassée en fonction de votre brassée.
	Détersif non dissout	• Versez le détersif lorsque la laveuse se remplit d'eau, avant d'y mettre les vêtements.
	Transfert de teinture	• Triez votre linge par couleur. Si l'étiquette de votre vêtement est marquée <i>laver séparément</i> , il est possible que celui-ci ne soit pas bon teint.
Charpie ou résidus sur les vêtements	Les vêtements sont séchés à l'air ou sur la corde à linge	• Lorsque vous ne le faites pas sécher dans une sècheuse, votre linge peut retenir plus de charpie.
	Tri incorrect	• Séparez les tissus qui produisent de la charpie de ceux qui la recueillent.
	Lavage trop long	• Pour les petites brassées réglez un lavage plus court que pour les grosses.
	Détersif non dissout	• Ajoutez le détersif pendant que le panier se remplit d'eau et avant d'ajouter les vêtements.
		• Essayez un détersif liquide.
		• Utilisez de l'eau plus chaude.
	Surcharge	• Le niveau des vêtements ne doit pas dépasser celui de la rangée supérieure de trous de la cuve. • Réglez le sélecteur de type de brassée en fonction de votre brassée.
	Utilisation incorrecte de l'assouplissant	• Vérifiez les directives sur la bouteille d'assouplissant et suivez les directives pour l'utilisation du distributeur.

<i>Rendement (suite)</i>	<i>Causes possibles</i>	<i>Correctifs</i>
Boules de fibre	Usure normale des tissus duveteux et en coton-polyester	<ul style="list-style-type: none"> Même s'il n'est pas causé par la laveuse, vous pouvez atténuer ce problème en lavant les vêtements à l'envers.
Fils tirés, trous, déchirures, usure excessive	Épingles, boutons-pression, crochets, boutons pointus, boucles de ceinture, fermetures éclair et objet pointus laissés dans les poches	<ul style="list-style-type: none"> Attachez les boutons-pression, crochets, boutons, et remontez les fermetures éclair. Enlevez les articles lâches, comme les épingles, les objets dans les poches et les boutons pointus. Tournez à l'envers les tricots (dont les fils se tirent facilement).
	Javellisant à base de chlore non dilué	<ul style="list-style-type: none"> Utilisez la quantité indiquée sur l'emballage. Ne versez jamais de javellisant non dilué dans la laveuse ou sur les vêtements.
	Produits chimiques tels que décolorants capillaires, teintures, solutions à permanente	<ul style="list-style-type: none"> Rincez les articles imbibés de ces produits avant de les laver.
Faux plis	Tri incorrect	<ul style="list-style-type: none"> Évitez de laver des articles lourds (comme des vêtements de travail) avec des articles légers (comme des blouses). Utilisez un assouplissant.
	Surcharge ou niveau d'eau incorrect	<ul style="list-style-type: none"> Assurez-vous que les vêtements ont suffisamment de place pour bouger librement.
	Programmes de lavage et de séchage incorrects	<ul style="list-style-type: none"> Choisissez les programmes en fonction du type de tissu lavé (surtout les vêtements à entretien facile).
	Lavage répété dans une eau trop chaude	<ul style="list-style-type: none"> Lavez dans une eau tiède ou froide.
Bruit	Causes possibles	Correctifs
La laveuse est bruyante	Laveuse inégale	<ul style="list-style-type: none"> Pour mettre la laveuse de niveau, réglez les pieds de nivellement en tournant chacun des pieds dans le sens approprié pour relever ou abaisser la laveuse.
	La brassée est mal répartie dans la laveuse	<ul style="list-style-type: none"> Appuyez sur START/PAUSE (mise en marche/pause) pour arrêter la laveuse. Ouvrez le couvercle et redistribuez uniformément les vêtements dans l'appareil. Fermez le couvercle et remettez la laveuse en marche.
	Les blocs de mousse d'emballage sont restés dans la laveuse.	<ul style="list-style-type: none"> Enlevez le blocs de mousse dans le fond de la laveuse.
	La laveuse est trop près du mur (frappe contre le mur pendant le fonctionnement)	<ul style="list-style-type: none"> Éloignez la laveuse du mur d'environ 4 po.
Autres	Causes possibles	Correctifs
Les étiquettes apposées sur la laveuse ne s'enlèvent pas proprement	Il arrive que l'adhésif des étiquettes ne s'enlève pas complètement	<ul style="list-style-type: none"> À l'aide d'un séchoir à cheveux réglé à la température la plus basse, dirigez l'air vers l'étiquette pendant quelques instants. Vous pourrez ensuite enlever l'adhésif sans endommager le fini de la laveuse.

Service à la clientèle

Conseils de dépannage

Fonctionnement

Mesures de sécurité

Notes.

Garantie de votre laveuse GE (Pour la clientèle au Canada)



Toutes les réparations sous garantie seront effectuées par nos centres de réparation ou nos réparateurs autorisés.
Appelez le 1-800-361-3400.

Pour une période de : GE remplacera gratuitement :

Un an À compter de la date d'achat d'origine	Toute pièce de la laveuse qui se révèle défectueuse en raison d'un vice de matières ou de fabrication. Pendant cette garantie complète d'un an , nous remplacerons également, gratuitement , tous les frais de main d'œuvre et de déplacement du réparateur à votre domicile pour remplacer la pièce défectueuse.
Cinq ans À compter de la date d'achat d'origine	La transmission , si elle se révèle défectueuse en raison d'un vice de matières ou de fabrication. Pendant cette garantie limitée de cinq ans , vous devrez assumer tous les frais de main d'œuvre et de réparation à domicile.

Ce que GE ne couvrira pas :

- Toute visite à votre domicile pour vous expliquer le fonctionnement de l'appareil.

Lisez votre Manuel d'utilisation. Pour toute question concernant le fonctionnement de l'appareil, communiquez avec votre marchand ou notre bureau des Relations avec les consommateurs à l'adresse indiquée ci-dessous :

Directeur, Relations avec les consommateurs
Camco Inc.
1 Factory Lane, Bureau 310
Moncton, N.B.
E1C 9M3

- Une installation inadéquate.

Si vous avez des questions concernant l'installation, communiquez avec votre marchand ou votre installateur. Il vous incombe de fournir les installations appropriées d'évacuation et autres.

- Le remplacement des fusibles ou le réenclenchement des disjoncteurs du panneau de distribution.
- Toute défectuosité du produit lorsqu'il est utilisé de façon abusive, à des fins commerciales ou à toute autre fin que celle pour laquelle il a été conçu.
- Tout dommage au produit attribuable à un accident, un incendie, une inondation ou un cas de force majeure.

LE FABRICANT NE SE TIENT NULLEMENT RESPONSABLE DE TOUT DOMMAGE INDIRECT.

Garant : CAMCO INC.

Numéros de service Camco.



Questions?

Si vous avez des questions au sujet de votre électroménager, écrivez au :
Directeur, Relations avec les consommateurs, Camco Inc., 1 Factory Lane, Bureau 310,
Moncton, N.B., E1C 9M3.

Ou composez le! 1-800-361-3400



Réparations à domicile 1-800-361-3400

Pour faire réparer votre électroménager Camco, il suffit de nous téléphoner.



Contrats d'entretien 1-800-461-3636

Achetez un contrat d'entretien Camco avant que votre garantie n'expire et bénéficiez d'un rabais substantiel. Ainsi le service après-vente Camco sera toujours là après expiration de la garantie.



Pièces et accessoires

Ceux qui désirent réparer eux-mêmes leurs électroménagers peuvent recevoir pièces et accessoires directement à la maison (cartes VISA, MasterCard et Discover acceptées).

Les directives stipulées dans le présent manuel peuvent être effectuées par n'importe quel utilisateur. Les autres réparations doivent généralement être effectuées par un technicien qualifié. Soyez prudent, car une réparation inadéquate peut affecter le fonctionnement sécuritaire de l'appareil.

Veillez consulter les pages jaunes pour connaître le numéro de la succursale Camco la plus près.



Un service satisfaisant

Si vous n'êtes pas satisfait du service après-vente dont vous avez bénéficié :

Premièrement, communiquez avec les gens qui ont réparé votre appareil.

Ensuite, si vous n'êtes toujours pas satisfait, envoyez tous les détails—numéro de téléphone compris—au : Directeur, Relations avec les consommateurs, Camco Inc., 1 Factory Lane, Bureau 310, Moncton, N.B., E1C 9M3.