

This Owner's Manual is provided and hosted by [Appliance Factory Parts](#).



GE ZSC1000KBB01 Owner's Manual

[Shop genuine replacement parts for GE
ZSC1000KBB01](#)



[Find Your GE Microwave Parts - Select From 3055 Models](#)

----- Manual continues below -----

Installation Instructions



Advantium™ 120 Built-In SpeedCook Ovens

SCB1000

SCB1001

ZSC1000

ZSC1001

For a Spanish version of this manual, visit our Website at ge.com.

Para consultar una versión en español de este manual de instrucciones, visite nuestro sitio de internet ge.com.

Safety Information



BEFORE YOU BEGIN

Read these instructions completely and carefully.

- **IMPORTANT** – Save these instructions for local inspector’s use.
- **IMPORTANT** – Observe all governing codes and ordinances.
- **Note to Installer** – Be sure to leave these instructions with the Consumer.
- **Note to Consumer** – Keep these instructions with your Owner’s Manual for future reference.
- **Skill Level** – Installation of this appliance requires basic mechanical and electrical skills.
- **Completion time** – 1 hour.
- Proper installation is the responsibility of the installer.
- Product failure due to improper installation is not covered under the Warranty. See Owner’s Manual for warranty information.

IMPORTANT

- Use this oven only for its intended purpose.
- Never use the oven for warming or heating a room. Prolonged use of the oven without proper ventilation can be hazardous.



CAUTION:

For personal safety, remove house fuse or oven circuit breaker before beginning installation to avoid severe or fatal shock injury.



CAUTION:

For personal safety, the mounting surface must be capable of supporting the cabinet load, in addition to the added weight of the 75 pound product, plus additional oven loads of up to 50 pounds or a total weight of 125 pounds.



CAUTION:

For personal safety this product cannot be installed in cabinet arrangements such as an island, a peninsula or below a countertop.



MISE EN GARDE :

Pour votre sécurité personnelle, retirez les fusibles de la maison ou le disjoncteur du four avant l’installation, pour éviter des blessures graves ou même le décès pouvant être causé par un choc électrique.



MISE EN GARDE :

Pour votre sécurité personnelle, la surface de montage doit être capable de supporter le poids du cabinet, en plus du poids supplémentaire du produit, soit 34 kg, en plus du poids supplémentaire du four pouvant aller jusqu’à 22,7 kg, ou un poids total de 56,7 kg.



MISE EN GARDE :

Pour votre sécurité personnelle, ce produit ne peut être installé dans des arrangements d’armoires dont un îlot, une péninsule ou le dessous d’un comptoir.

CONTENTS

Design Information

Models Available	3
Product Dimensions and Clearances.....	3
Tools Required	3
Parts Supplied	3
Advance Planning	4

Installation Preparation

Electrical Requirements	5
Prepare the Opening	6
Remove the Packaging	7

Installation Instructions

Step 1, Slide the Oven into the Cutout	8
Step 2, Install Bottom Trim	8
Step 3, Install Side Trim	9
Step 4, Install Mounting Screws.....	9
Step 5, Finalize Installation	9

Design Information

MODELS AVAILABLE

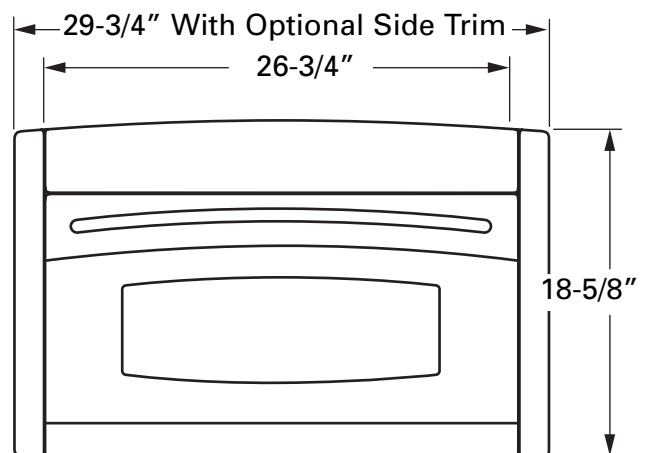
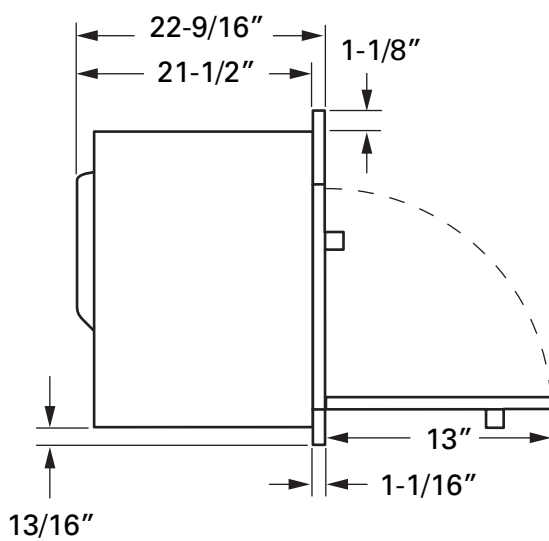
Profile Models:

- SCB1000 WW – White
- SCB1000 BB – Black
- SCB1000 CC – Bisque
- SCB1001 SS – Stainless Steel

Monogram Models:

- ZSC1000 BB – Black
- ZSC1001 SS – Stainless Steel

PRODUCT DIMENSIONS AND CLEARANCES



NOTE: Appearance may vary slightly by model.

TOOLS REQUIRED

- #2, Phillips screwdriver
- Hand held drill
- High speed drill bit, $\frac{1}{8}$ " diameter
- $\frac{3}{8}$ ", slot head screwdriver

PARTS SUPPLIED

- 6 Brass screws, (3 required, 3 extra)
- 5 Color matched screws (4 required, 1 extra)
- 2 Side trim pieces
- Bottom Trim

Design Information

ADVANCE PLANNING

- These ovens may be installed directly into a 27" or 30" wide oven cabinet.
- The front surface of the oven will be nearly flush with surrounding cabinetry doors.
- This oven can be installed over any GE or GE Monogram single electric built-in oven or a warming drawer or both.
- Color matched side trim pieces are provided for installation into a 30" wide space. Use the side trim when installing the oven above a 30" wide wall oven or warming drawer. Discard the side trim pieces if you are installing over a 27" wide oven.
- Cutout dimensions are the same for both 27" or 30" wide cabinet installations.

IMPORTANT: This oven is not approved for use above another built-in Speedcook oven, a side by side installation or below a countertop.

- For personal safety, this oven cannot be installed in a cabinet arrangement such as an island or peninsula.

- The oven must be installed at least 36-3/4" above the floor.
- Allow for clearance to adjacent corners, walls, drawers, etc.
- Cabinets installed adjacent to wall ovens must have an adhesion spec of at least 194°F temperature rating.

The oven must be securely installed in a cabinet that is firmly attached to the house structure. Weight on the oven door could cause the oven to tip and result in injury. Never allow anyone to climb, sit, stand or hang on the oven door.

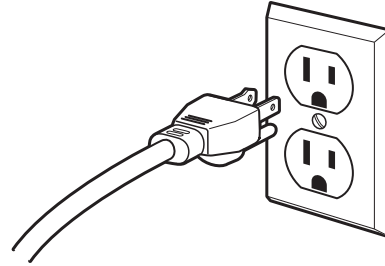
Installation Preparation

ELECTRICAL REQUIREMENTS

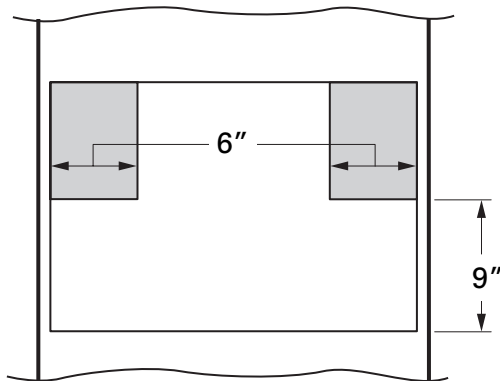
Single Advantium 120 Installation:

This product requires a 120 volt, 60 Hz, 15 amp circuit and draws 1.8 kilowatts. This product must be connected to a supply circuit of the proper voltage and frequency.

- Wire size must conform to the requirements of the National Electrical Code or the prevailing local code for this kilowatt rating.
- The power supply cord and plug should be brought to a separate 15 or 20 ampere branch circuit single grounded receptacle. The outlet box should be located within reach of the 48" power cord.



ELECTRICAL LOCATION



Locate outlet box in the shaded area

Install a recessed electrical outlet in the back wall of the opening within 6" of either side and at least 9" above the cutout floor.

IMPORTANT: (Please read carefully).

The power cord of this appliance is equipped with a three-prong (grounding) plug that mates with a standard three-prong grounding wall receptacle to minimize the possibility of electric shock. The customer should have the wall receptacle and circuit checked by a qualified electrician to make sure the receptacle is properly grounded and has the correct polarity.

- Where a standard two-prong wall receptacle is encountered, it is the personal responsibility and obligation of the customer to have it replaced with a properly grounded three-prong wall receptacle.

Do not, under any circumstances, cut or remove the third (ground) prong from the power cord.

DO NOT USE AN EXTENSION CORD.

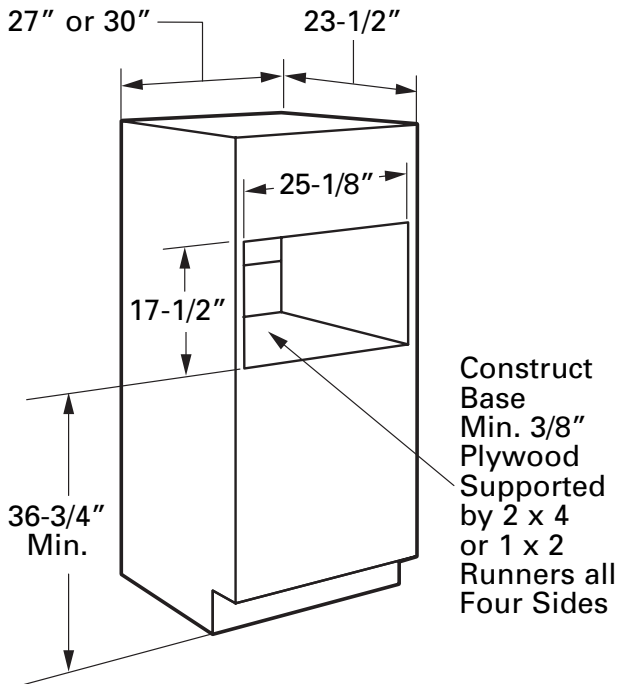
Installation Preparation

PREPARE THE OPENING

The Advantium 120 can be installed in combination with other GE/Monogram appliances. Always follow each product's Installation Instructions to complete the installation.

Single Advantium 120 Installation:

Order a 27" or 30" wide single oven cabinet or cut the opening in a wall to the dimensions shown.



- Always maintain 36-3/4" minimum height from the floor to the cutout in any single or combined installation.
- Allow 1-1/4" case trim overlap at the top and 7/8" overlap on the bottom and each side of the opening.
- Oven overlaps will conceal cut edges on all sides of the opening.

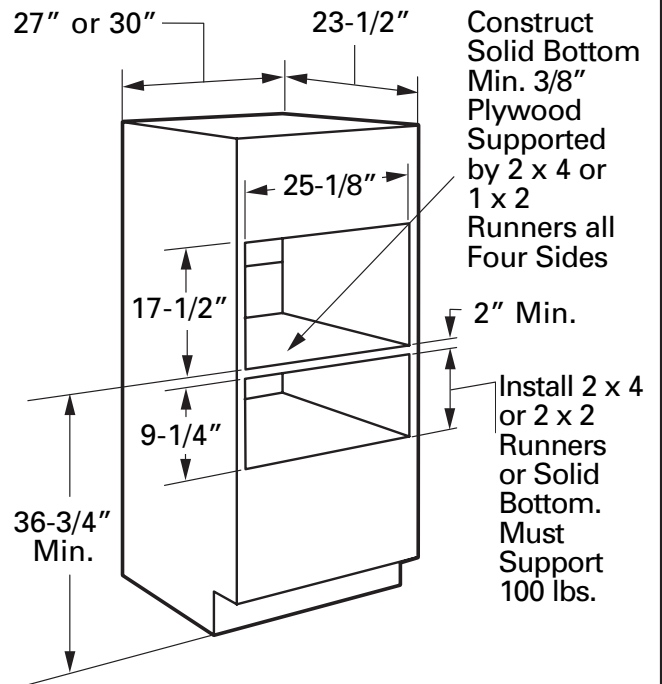
When installed over a single oven or a warming drawer, allow at least 2" between the two openings. This separation will provide clearance for bottom overlap of the Advantium 120 and the other appliance overlaps.

Construct a solid oven floor of 3/8" min. thick plywood supported by 2 x 4 runners on all sides.

- The support must be level and rigidly mounted, flush with the bottom edge of the cutout.

PREPARE THE OPENING (CONT.)

Installation over a GE/Monogram Warming Drawer:

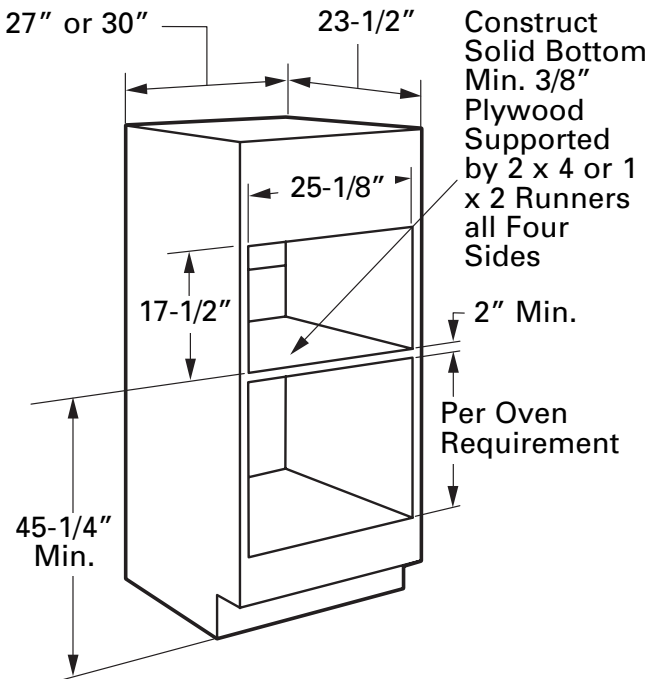


NOTE: Additional clearances between the cutouts may be required. Check to be sure the oven supports above the Warming Drawer location does not obstruct the required interior depth and height. See Warming Drawer installation instructions for details.

Installation Preparation

PREPARE THE OPENING (CONT.)

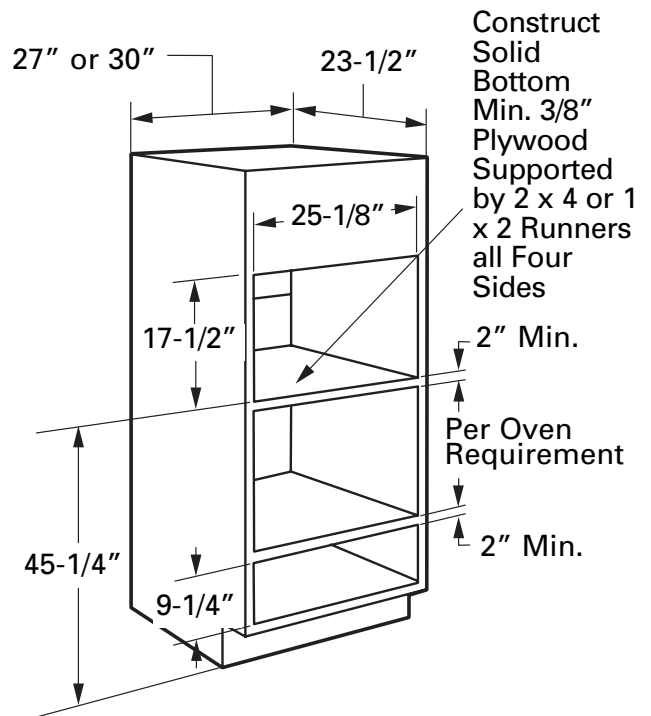
Installation over a GE/Monogram Oven:



* If you are replacing a GE/Monogram electric double oven with the combined installation of an Advantium 120 and a single oven, use the dimensions shown. The middle rail separating the two openings may need to be larger than the 2" minimum shown.

PREPARE THE OPENING (CONT.)

Installation over a GE/Monogram Oven and Warming Drawer:



NOTE: Additional clearances between the cutouts may be required. Check to be sure the oven supports above the Warming Drawer location does not obstruct the required interior depth and height. See Warming Drawer installation instructions for details.

CAUTION: For personal safety, the mounting surface must be capable of supporting the cabinet load, in addition to the added weight of this approximate 75 pound product, plus, additional oven loads of up to 50 pounds or a total weight of 125 pounds.

MISE EN GARDE : Pour votre sécurité personnelle, la surface de montage doit être capable de supporter le poids du cabinet, en plus du poids supplémentaire du produit, soit 34 kg, en plus du poids supplémentaire du four pouvant aller jusqu'à 22,7 kg, ou un poids total de 56,7 kg.

REMOVE THE PACKAGING

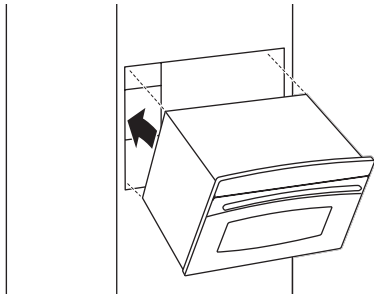
- Lift the oven out of the carton.
- Remove all packing material and tape.
- Open the door and remove parts box.
- Locate parts package containing mounting screws.

Installation

STEP 1 SLIDE THE OVEN INTO THE CUTOUT

CAUTION: Two people are required to lift the oven into the opening. Grasp the bottom at the front and rear. **DO NOT USE THE HANDLE TO LIFT THE OVEN. DAMAGE WILL OCCUR!**

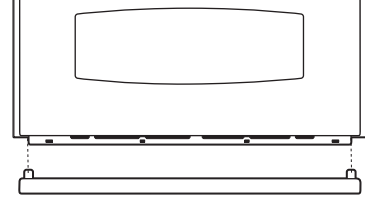
MISE EN GARDE : Deux personnes sont nécessaires pour soulever le four et l'insérer dans l'ouverture. Saisissez-le par le dessous, à l'avant et à l'arrière. **N'UTILISEZ PAS LA POIGNÉE POUR SOULEVER LE FOUR. DES DOMMAGES SE PRODUIRONT !**



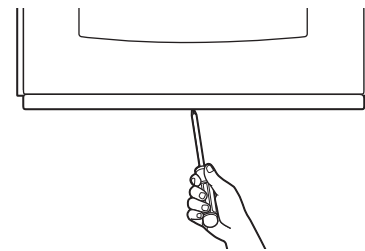
- Lift and hold the oven at the front of the opening. Hold the oven at a 45° angle and plug in the power cord.
- Carefully, slide the oven into the cabinet part way. Leave the oven a few inches forward of the cabinet frame.
- Check to be sure the power cord is not trapped under the oven or along the sides of the oven.

STEP 2 INSTALL BOTTOM TRIM

- Align bottom trim tabs to slots in the bottom of the oven.



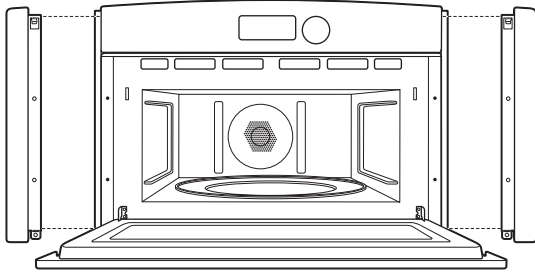
- Secure the bottom trim to the bottom of the oven using 3 brass screws provided.



Installation

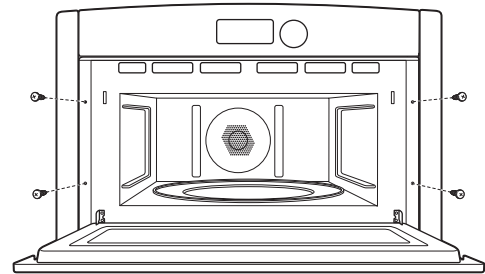
STEP 3 INSTALL SIDE TRIM

FOR 30" CABINET INSTALLATION ONLY. SKIP THIS STEP IF YOU HAVE 27" WIDE CABINETRY.



- Open the oven door.
- Hang the side trim pieces on the tabs behind the oven flange. The screw holes in the side trim should align with the holes in the oven flange.
- Check to be sure the oven is pushed back into the opening and against the cabinet frame.

STEP 4 INSTALL MOUNTING SCREWS



- Drill pilot holes through the side flanges, 2 on each side.
- Drive the color matched screws into the side flange (and side trim, if applied).

STEP 5 FINALIZE INSTALLATION

- Turn power on at the source. The interior light should come on when the door is opened.
- Refer to the Owner's Manual for operating instructions.

Notes

Notes

NOTE: While performing installations described in this book, safety glasses or goggles should be worn.

NOTE: Product improvement is a continuing endeavor at General Electric. Therefore, materials, appearance and specifications are subject to change without notice.

Pub. No. 49-40459-1

07-05 JR

P/No.: 3828W5U0445

Printed in Korea



*GE Consumer & Industrial
Appliances
General Electric Company
Louisville, KY 40225*

© 2005 General Electric Company