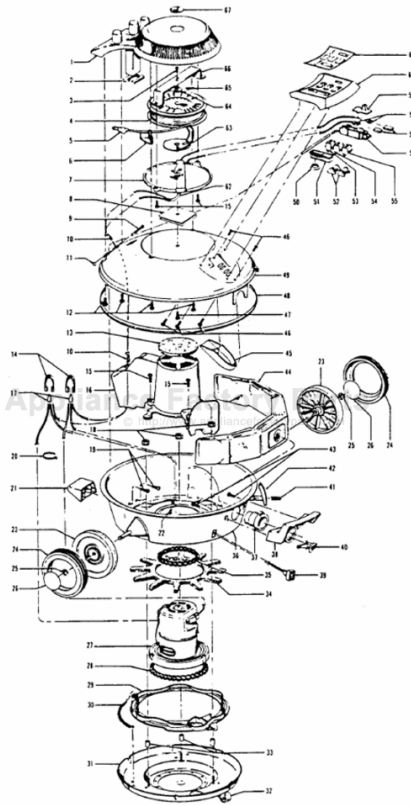


This Owner's Manual is provided and hosted by [Appliance Factory Parts](#).



HOOVER S3061 Owner's Manual

[Shop genuine replacement parts for HOOVER S3061](#)

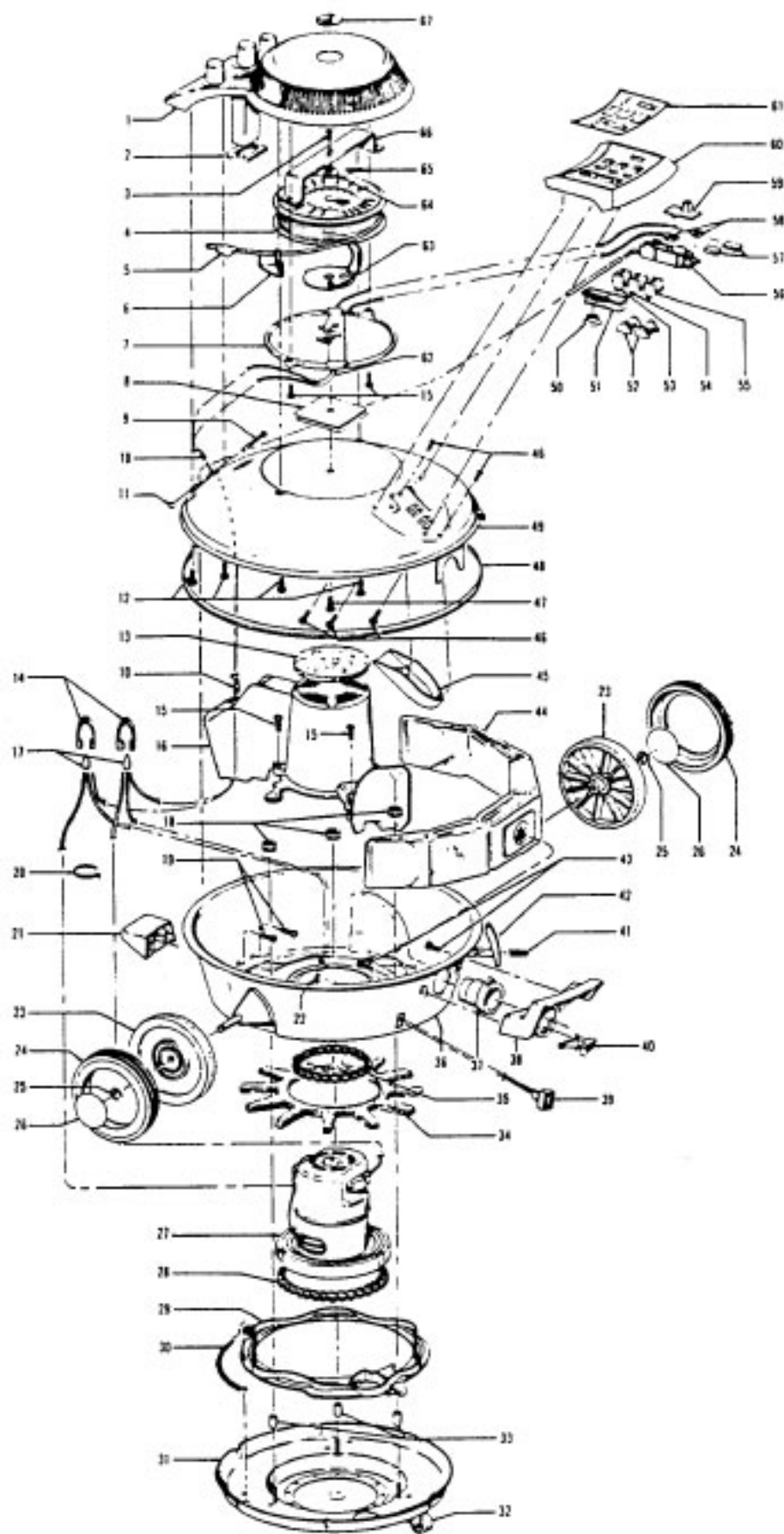


[Find Your HOOVER Vacuum Cleaner Parts - Select From 1456 Models](#)

----- Manual continues below part list -----

Available Replacement Parts for HOOVER S3061

| | |
|----------------------------|---------------------------|
| H-4010009H | PAPER BAG, 3 PK |
| H-43414073 | Floor brush. |
| H-43414064 | DUSTING BRUSH (ONE PEICE) |



Celebrity

Models S3061, S3061-030, S3077

| Ref. No. | Part No. | Description |
|----------|----------|---------------------------|
| 1 | 37215021 | Cord Reel Housing |
| | 37215047 | Cord Reel Housing - S3077 |
| 2 | 170334AG | Gasket |
| 3 | 19765 | Screw |
| 4 | 46831015 | Cord Reel Comp. |
| 5 | 46383303 | Cord |
| 6 | 170368JM | Plug Insert |
| 7 | 47348007 | Brush Block Comp. |
| 8 | 34165002 | Brush Block Insulator (2) |
| 9 | 47938 | Hinge Pin |
| 10 | 27482227 | Strain Relief Bushing (2) |
| 11 | 48123AV | Lock Ring |
| 12 | 12619 | Screw (4) |
| 13 | 170332BZ | Secondary Filter |
| 14 | 161881 | Terminal Lock (2) |
| 15 | 17001FW | Screw (5) |
| 16 | 170375JM | Motor Cover |
| 17 | 48969 | Wire Nut (2) |
| 18 | 21652003 | Hex Nut (3) |
| 19 | 21447014 | Screw (2) |
| 20 | 27479307 | Wire Tie |
| 21 | 170359FP | Rear Rest Pad |
| | 170359PH | Rear Rest Pad - S3077 |
| 22 | 34341006 | Retaining Clip |
| 23 | 160108JJ | Wheel (2) |
| | 160108PH | Wheel |
| 24 | 161448AG | Rubber Tire |
| 25 | 160017 | Lock Ring (2) |
| 26 | 169242 | Wheel Cover (2) |
| 27 | 43577074 | Motor - 3.7 - (P - 60) |
| 28 | 169294 | Motor Mount - Lower |
| 29 | 170374JM | Blower Adapter |
| 30 | 170339 | Spring |
| 31 | 41421129 | Bottom Pan Comp. |
| | 41421025 | Bottom Pan Comp. - S3077 |
| 32 | 23737202 | Caster Wheel |
| 33 | 31721004 | Spacer (3) |
| 34 | 31194005 | Muffler |
| 35 | 169293 | Motor Mount - Upper |
| 36 | 42213126 | Intermediate Shell Comp. |
| 37 | 170352AG | Bag Collar Connector |
| 38 | 39457006 | Handle |
| 39 | 46326076 | Connector |
| 40 | 36151012 | Latch |

| Ref. No. | Part No. | Description |
|----------|----------|------------------------------|
| 41 | 48512FW | Shell Cover Latch Spring |
| 42 | 16439JX | Shell Cover Latch |
| 43 | 166735EF | Screw (2) |
| 44 | 4010009H | Throw Away Bag (3 Pk.) |
| 45 | 37911002 | Vacuum Control Panel |
| 46 | 21479229 | Screw (Control Panel) (5) |
| 47 | 21447003 | Screw |
| 48 | 170361JM | Furniture Guard |
| 49 | 42211193 | Upper Shell |
| | 37211017 | Upper Shell - S3077 |
| 50 | 32172002 | Bag Indicator Seal |
| 51 | 51151002 | Full Bag Indicator Comp. |
| 52 | 170344HE | Cam (2) |
| 53 | 170345AG | Vacuum Control Button (Min.) |
| 54 | 38422002 | Vacuum Control Button (Med.) |
| 55 | 38422007 | Vacuum Control Button (Max.) |
| 56 | 47538005 | Switch Actuator Assm. |
| 57 | 162961 | Insulating Pod (Pigtail) (2) |
| 58 | 163055 | Terminal (Pigtail) (2) |
| 59 | 38421017 | Switch Button |
| 60 | 170370JM | Control Panel Cover |
| | 170370PH | Control Panel Cover |
| 61 | 51481002 | Control Panel |
| | 51481004 | Control Panel - S3077 |
| 62 | 46312016 | Pigtail Cord |
| 63 | 46831076 | Commutator |
| 64 | 19999 | Ratchet |
| 65 | 38331004 | Detent Spring |
| 66 | 170343AY | Cord Reel Bracket |
| 67 | 51661008 | Medallion |

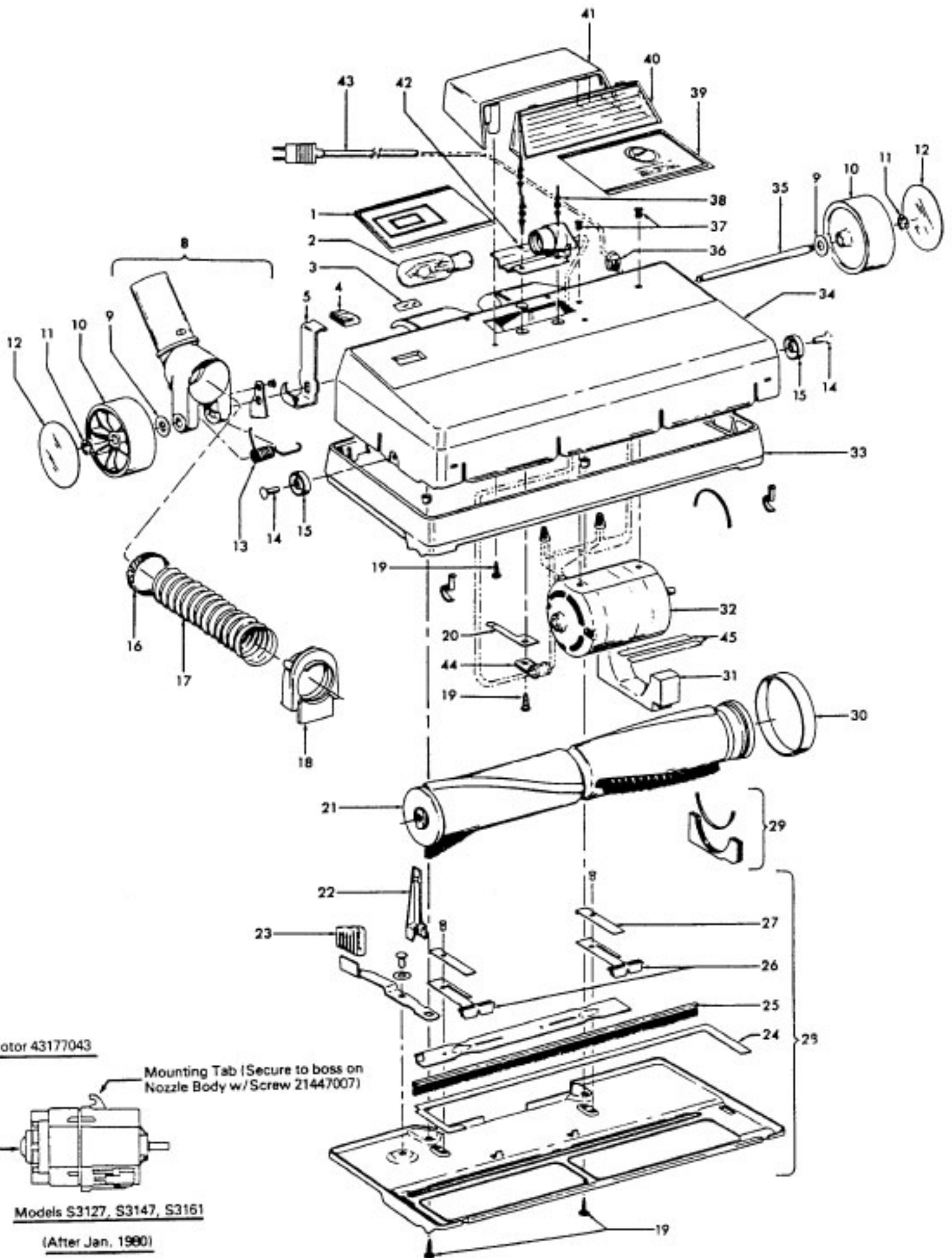
ITEMS NOT ILLUSTRATED

170351AW Hinge Leaf Upper (Upper Shell)

PACKAGING MATERIAL

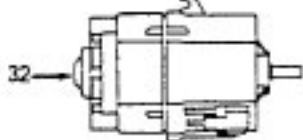
56513056 Owner Manual
 58132009 Nozzle Carton
 58332001 Nozzle Support
 56513038 Owner Manual - S3077

Powermatic Nozzle



Motor 43177043

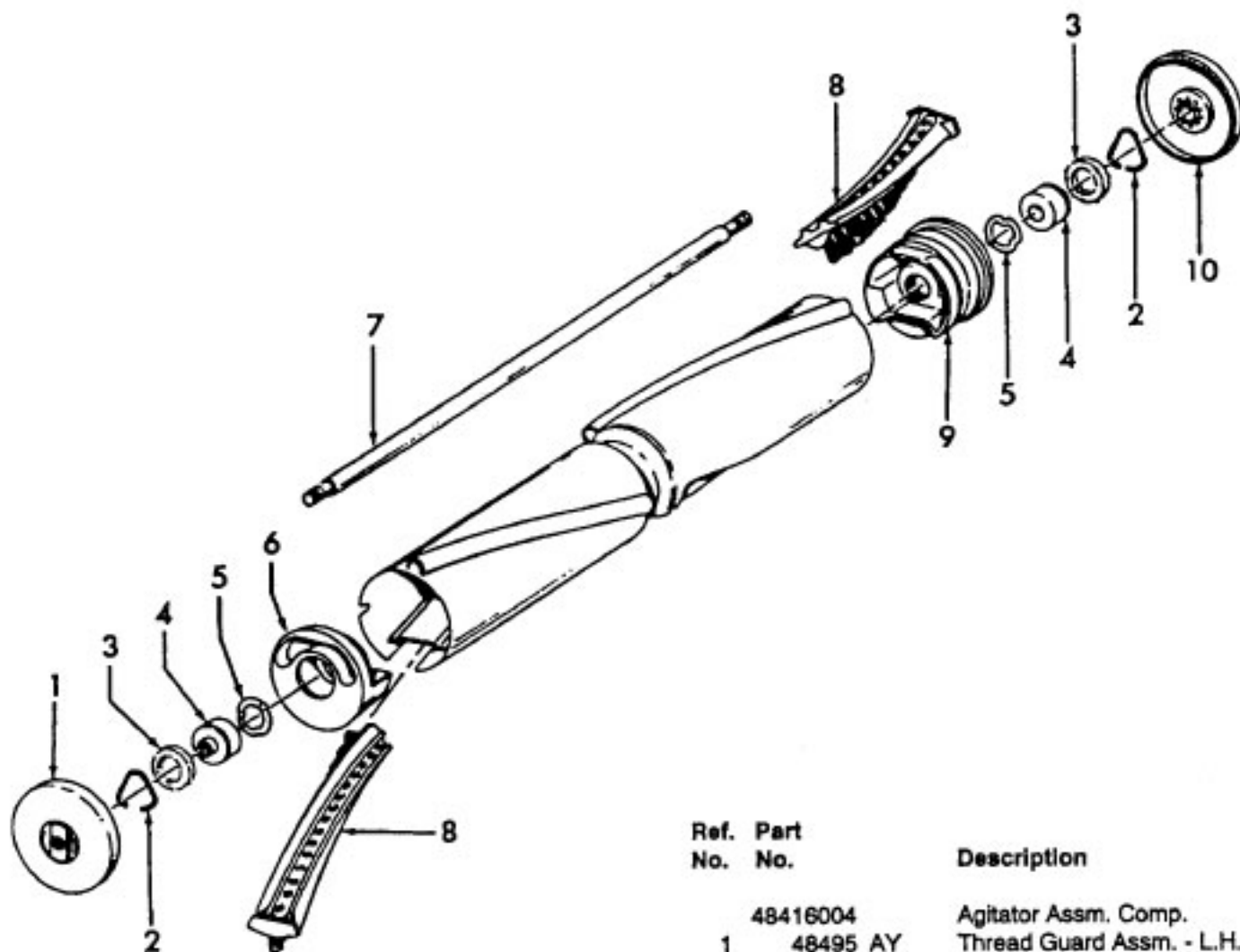
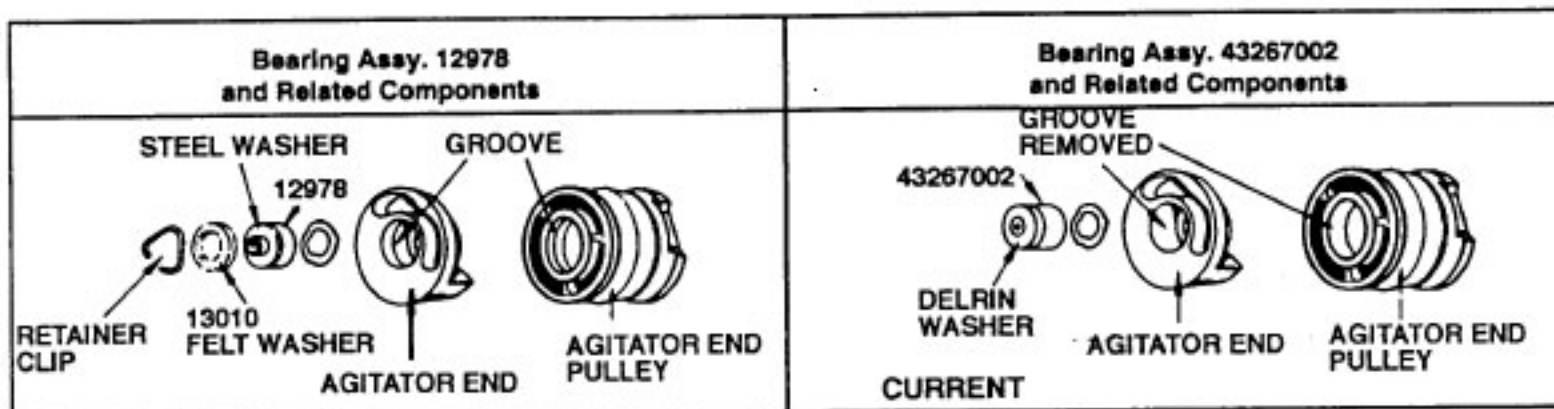
Mounting Tab (Secure to boss on Nozzle Body w/ Screw 21447007)



Models S3127, S3147, S3161

(After Jan. 1990)

Models S3057, S3059, S3059-030, S3061, S3061-030, S3077, S3079, S3079-030, S3079-035, S3081, S3083, S3083-030, S3093, S3127, S3131, S3131-030, S3133, S3135, S3137, S3139, S3139-035, S3141, S3147, S3149, S3153, S3161, S3173

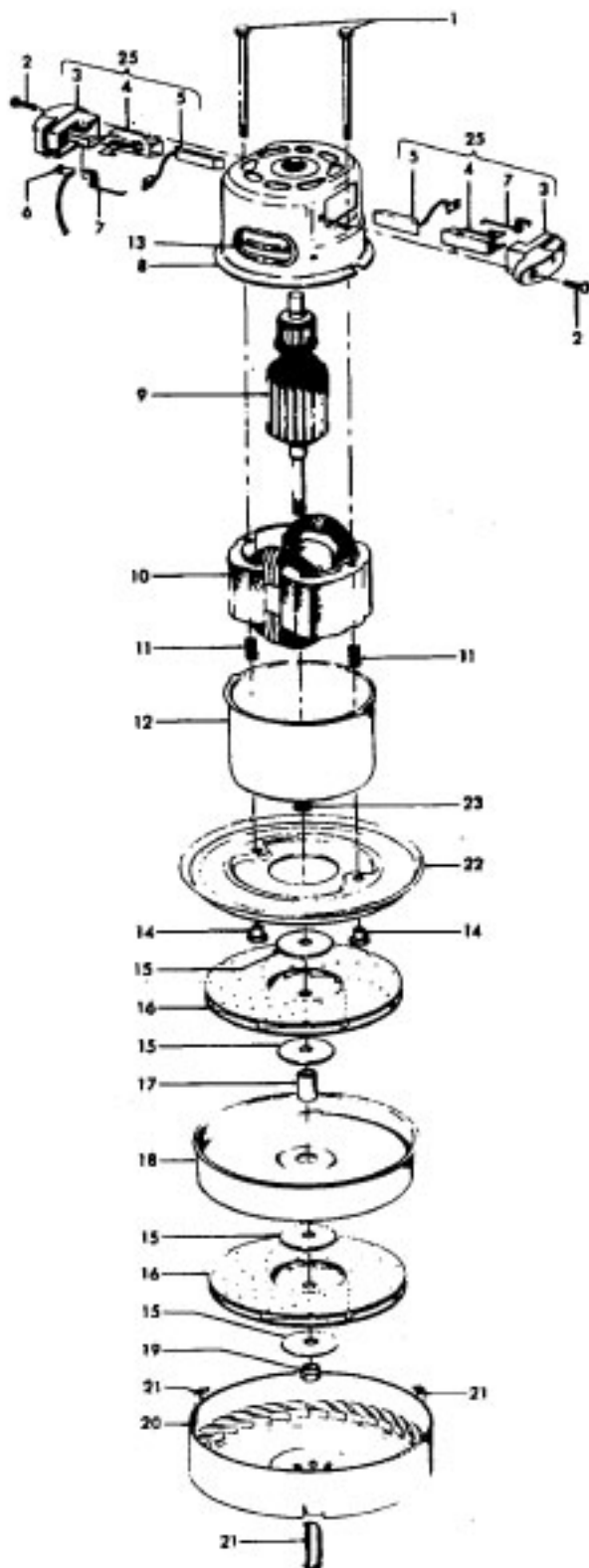


| Ref. No. | Part No. | Description |
|----------|-----------|---|
| | 48416004 | Agitator Assm. Comp. |
| 1 | 48495 AY | Thread Guard Assm. - L.H. |
| 2 | 12987 | +* Retainer Clip (2) |
| 3 | 13010 | * Washer - Felt (2) |
| 4 | 12978 | Agitator Bearing Assm. (2) (Use w/Item 2 & 3) |
| | 43267002 | Agitator Bearing Assm. (2) (Current) |
| 5 | 21347003 | * Washer (2) |
| 6 | 160542 | Agitator End Assm. |
| 7 | 160070 | Agitator Shaft |
| 8 | 160646 BZ | Agitator Brush Back Assm. (2) |
| 9 | 160538 | Agitator End Pulley |
| 10 | 12985 AY | Agitator Thread Guard Assm. - R.H. |

Celebrity Motor

Motor - 1 Speed - 43577074 (3.7)

Motor - 2 Speed - 43577093 (3.7)

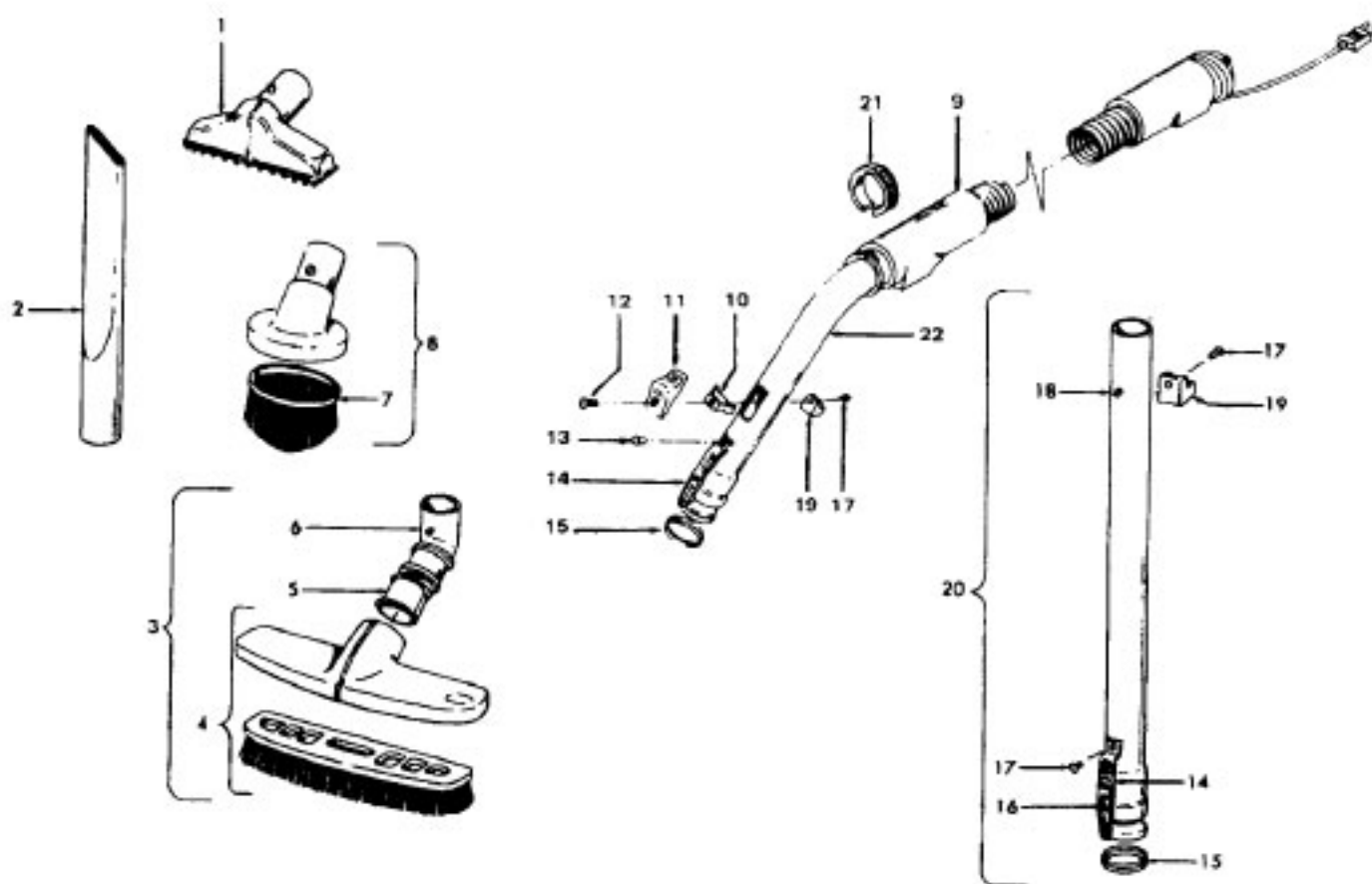


43577093 Motor Comp. - S3153, S3141
 43577074 Motor Comp. - S3059, S3059-030, S3061, S3061-030, S3077, S3139, S3139-035, S3173, S3217, S3219, S3233

| Ref. No. | Part No. | Description |
|----------|----------|-----------------------|
| 1 | 12022 | Field Bolt |
| 2 | 21429406 | Screw |
| 3 | 168038 | Brush Carrier |
| 4 | 168506- | Brush Holder |
| 5 | 167679 | Carbon Brush |
| 6 | 27666551 | Terminal |
| 7 | 38353004 | Spring |
| 8 | 169706 | Motor Housing - Upper |
| 9 | 44765106 | Armature |
| 10 | 45311018 | Field - 2 Speed - 3.7 |
| | 45311022 | Field - 1 Speed - 3.7 |
| 11 | 167721FW | Spring |
| 12 | 41823001 | Motor Housing - Lower |
| 13 | 169702BZ | Bushing |
| 14 | 167695EF | Nut |
| 15 | 21312774 | Washer |
| 16 | 43566006 | Fan |
| 17 | 31732003 | Spacer |
| 18 | 169712 | Interstage |
| 19 | 33426001 | Nut |
| 20 | 37218005 | Diffuser |
| 21 | 34786002 | Spring Clip |
| 22 | 169713FW | Mounting Plate |
| 23 | 31148002 | Spacer |
| 25 | 168506 | Brush Carrier Assm. |

Cleaning Tools

Models S3059, S3059-030, S3061, S3061-030, S3079,
S3079-030, S3083, S3083-030, S3127, S3147, S3149, S3161



| Ref. No. | Part No. | Description | Ref. No. | Part No. | Description |
|----------|----------|--|----------|----------|---|
| 1 | 43414057 | Furniture Nozzle Comp. | 10 | 13257BZ | Suction Regulator Support |
| 2 | 38617017 | Crevice Tool | 11 | 13142AG | Suction Regulator Control |
| 3 | 13077JM | Floor Brush Assm. | 12 | 13275 | Screw |
| | 43414073 | Floor Brush Assm. | 13 | 12783 | Rivet |
| 4 | 13155JM | Brush Back & Nozzle Assm. (Use w/13077JM) | 14 | 12846AG | Tube Latch (2) |
| 5 | 13276 | Floor Brush Swivel Bushing (Use w/13154JM) | 15 | 12845JM | Gasket (2) |
| | 33712007 | Split Ring (Use w/38644040) | 16 | 12772 | Rivet |
| 6 | 13154JM | Swivel Connector (Use w/13077JM) | 17 | 12783 | Rivet (2) |
| | 38644040 | Swivel Connector (Use w/48473025) | 18 | 12763AW | Rivet |
| 7 | 13263BZ | Brush (Use w/ 61851 JM) | 19 | 36171005 | Cord Clip |
| 8 | 161851JM | Dusting Brush Comp. | 20 | 43453085 | Ext. Tube (2) (17") |
| | 43414064 | Dusting Brush (One Piece) | | 43453052 | Ext. Tube 20 - AX- S3127, S3161 |
| 9 | 43438022 | Current Carrying Hose & Tube | 21 | 36153009 | Latch Ring |
| | 43433085 | Current Car in Hose | 22 | 43468055 | Hose Tube (Early) |
| | | | | 43453023 | Ext. Tube - AX- 20 - S3127, S3161 (Current) |
| | | | | 170110 | Shag Vac Rake - S3161 S3149 |