

This Owner's Manual is provided and hosted by [Appliance Factory Parts](#).



# GE PEB1590DMBB Owner's Manual

[Shop genuine replacement parts for GE PEB1590DMBB](#)



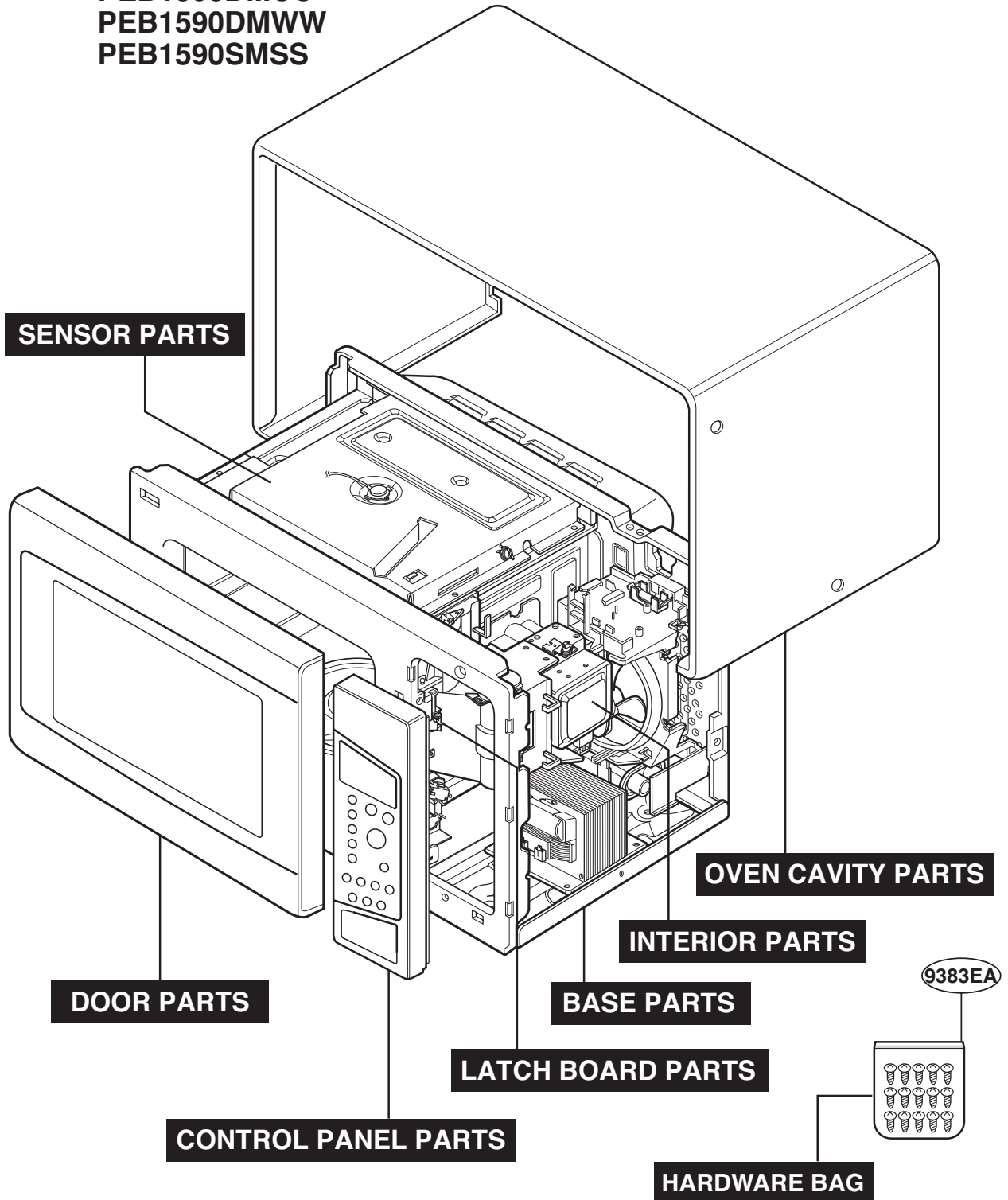
[Find Your GE Microwave Parts - Select From 3055 Models](#)

----- Manual continues below -----

# EXPLODED VIEW

## INTRODUCTION

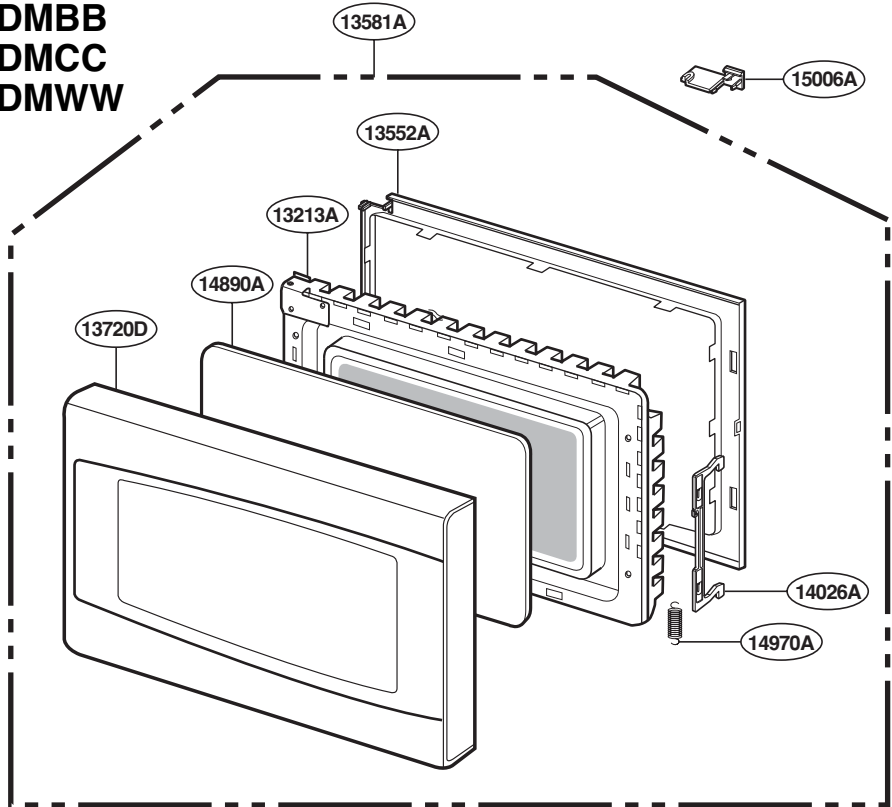
MODEL : PEB1590DMBB  
PEB1590DMCC  
PEB1590DMWW  
PEB1590SMSS



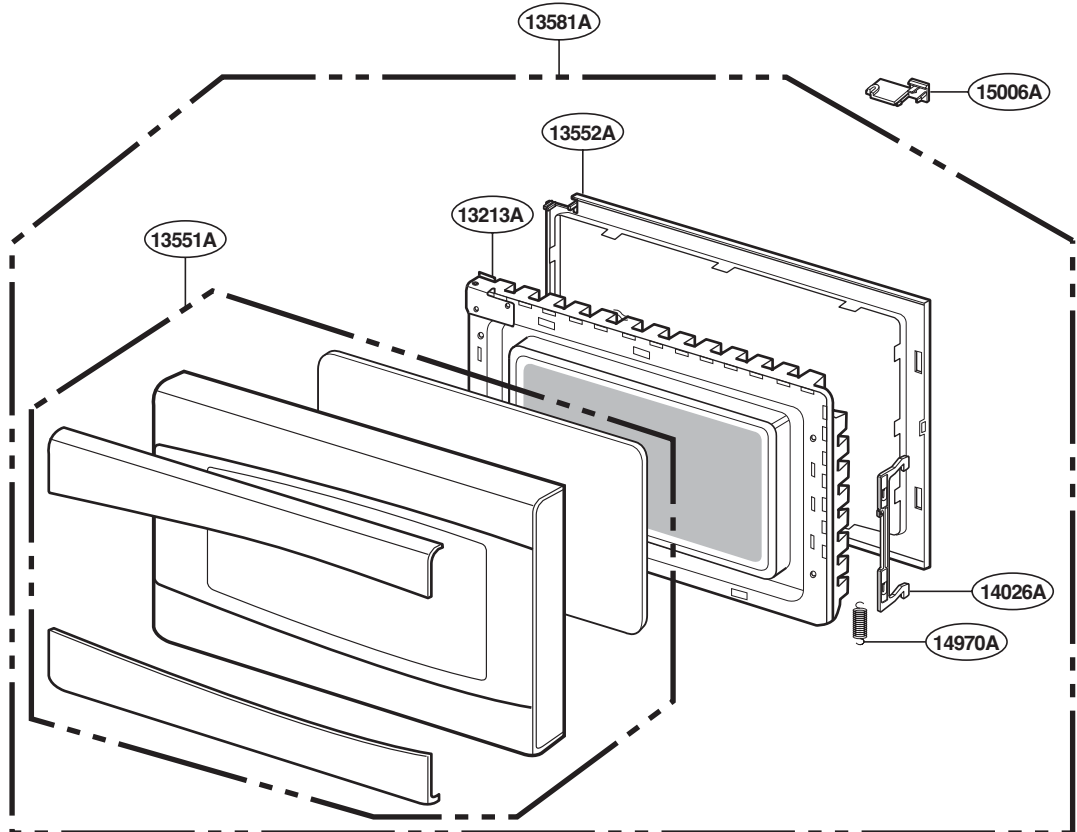
P/NO: MFL38213102

# DOOR PARTS

FOR MODEL : PEB1590DMBB  
PEB1590DMCC  
PEB1590DMWW

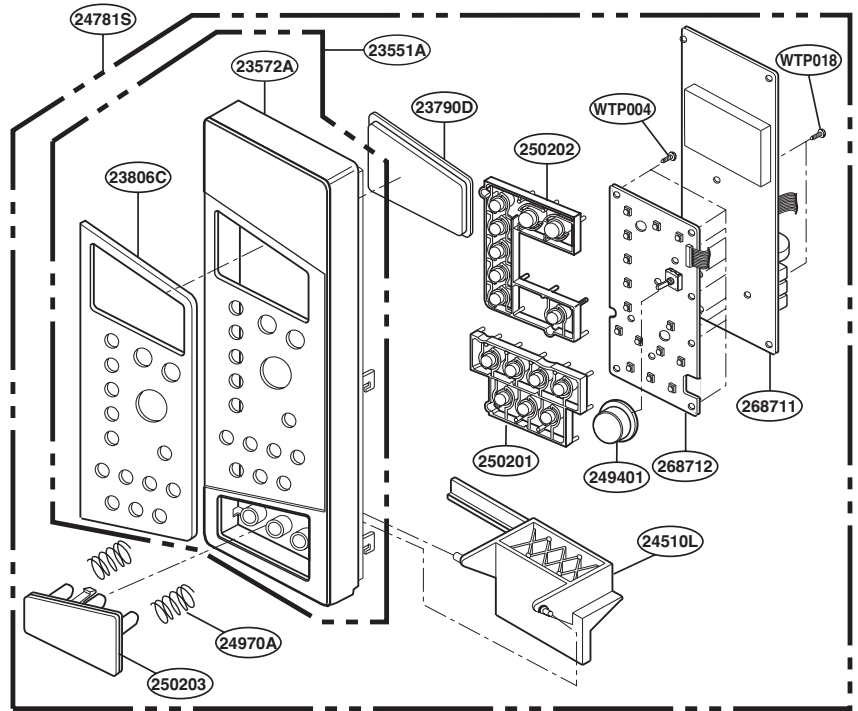


FOR MODEL : PEB1590SMSS

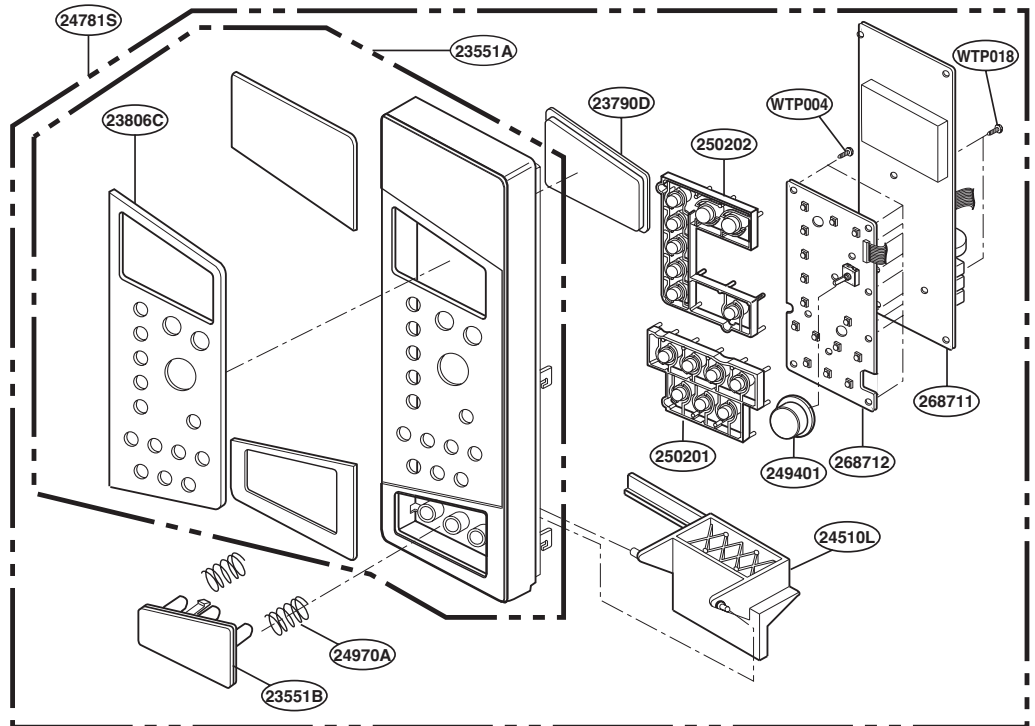


# CONTROL PANEL PARTS

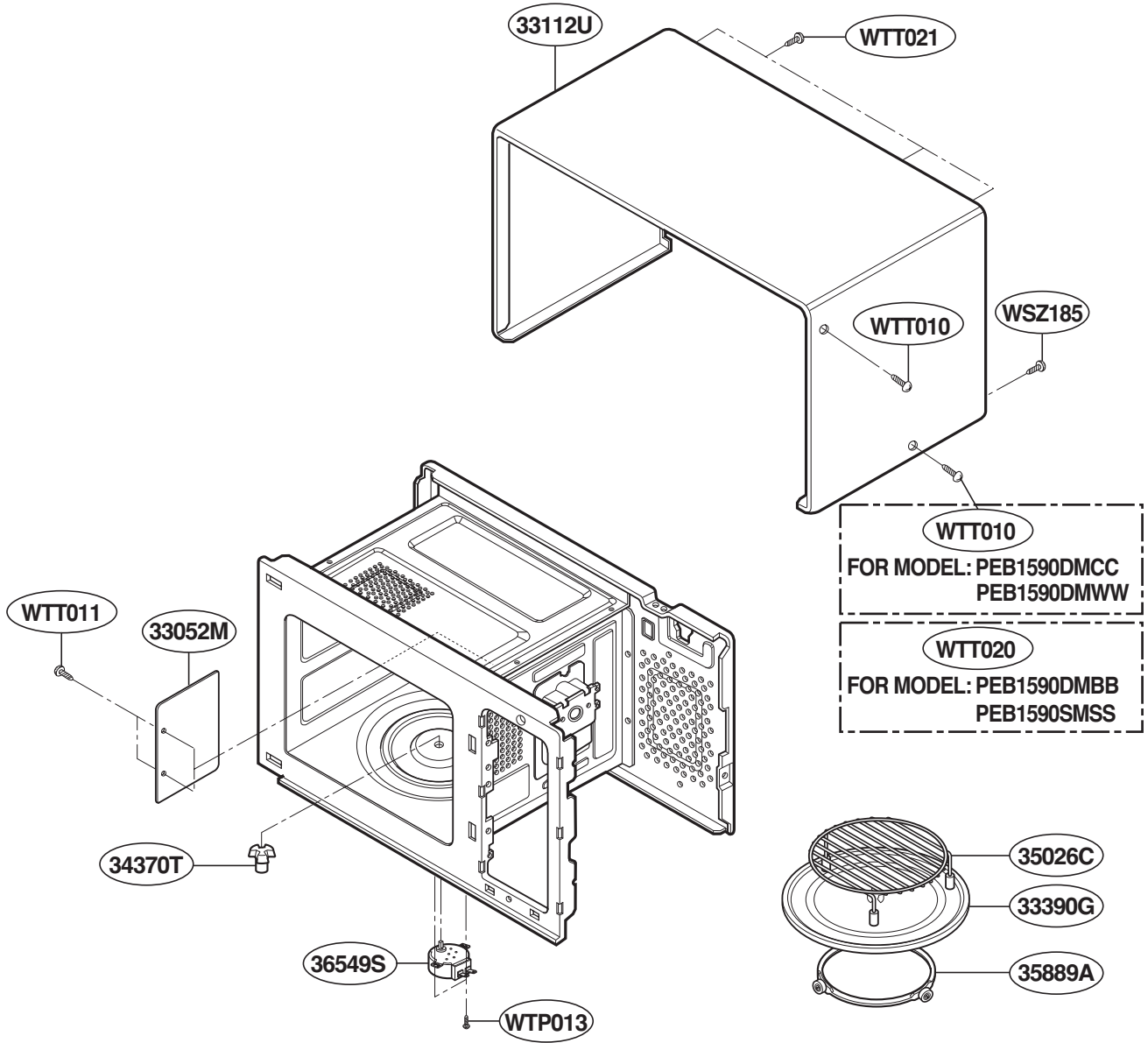
FOR MODEL : PEB1590DMBB  
PEB1590DMCC  
PEB1590DMWW



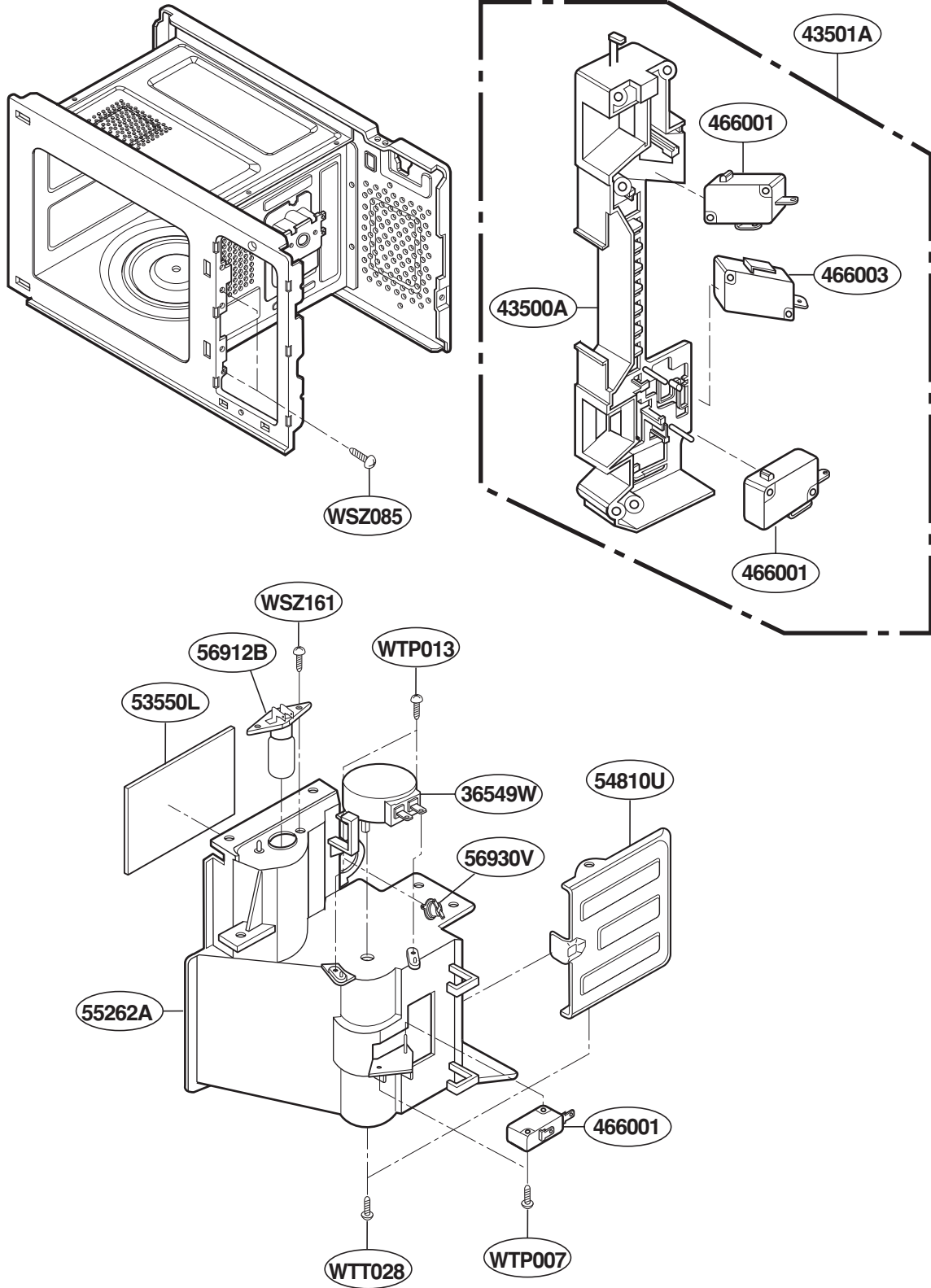
FOR MODEL : PEB1590SMSS



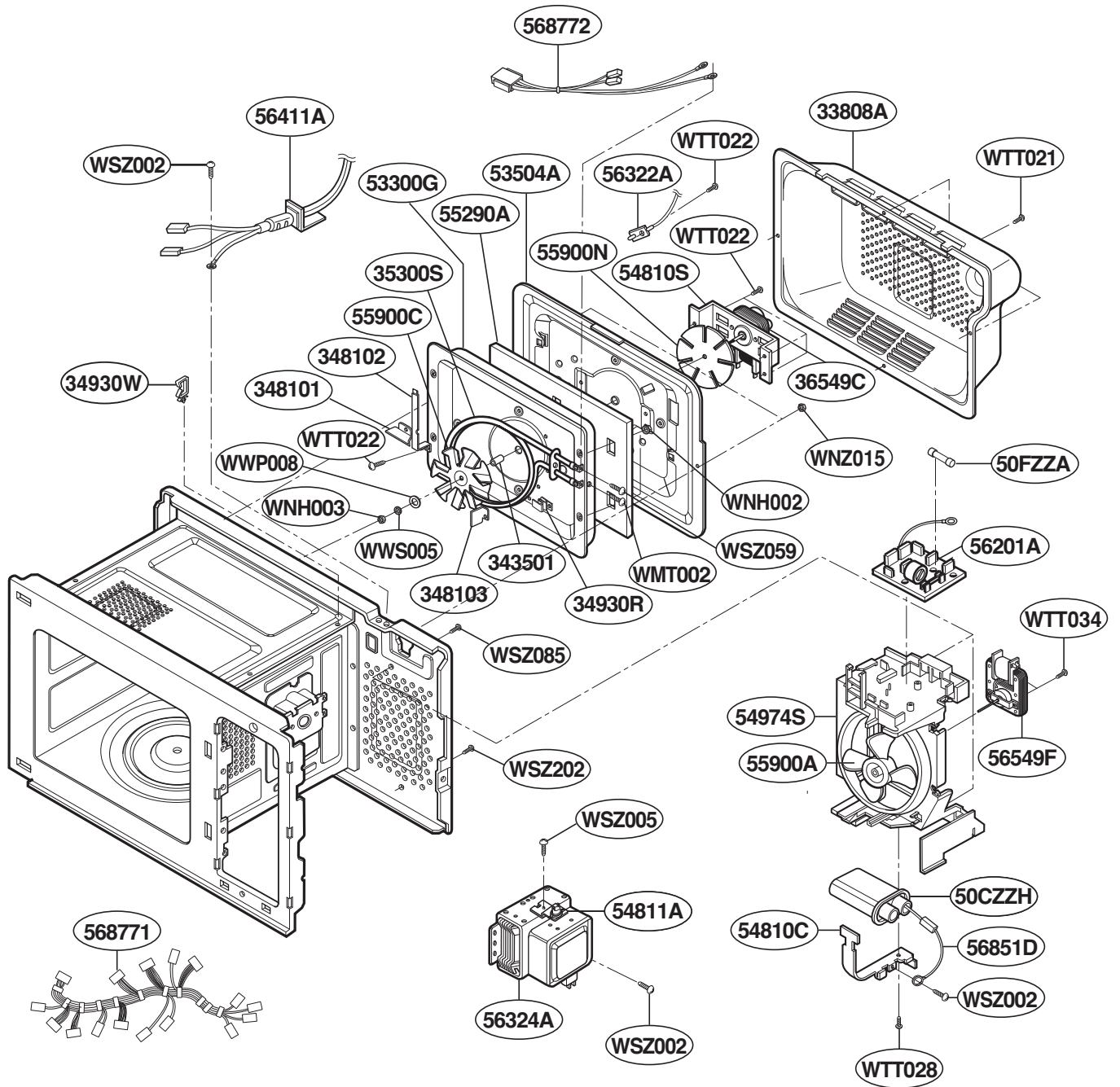
# OVEN CAVITY PARTS



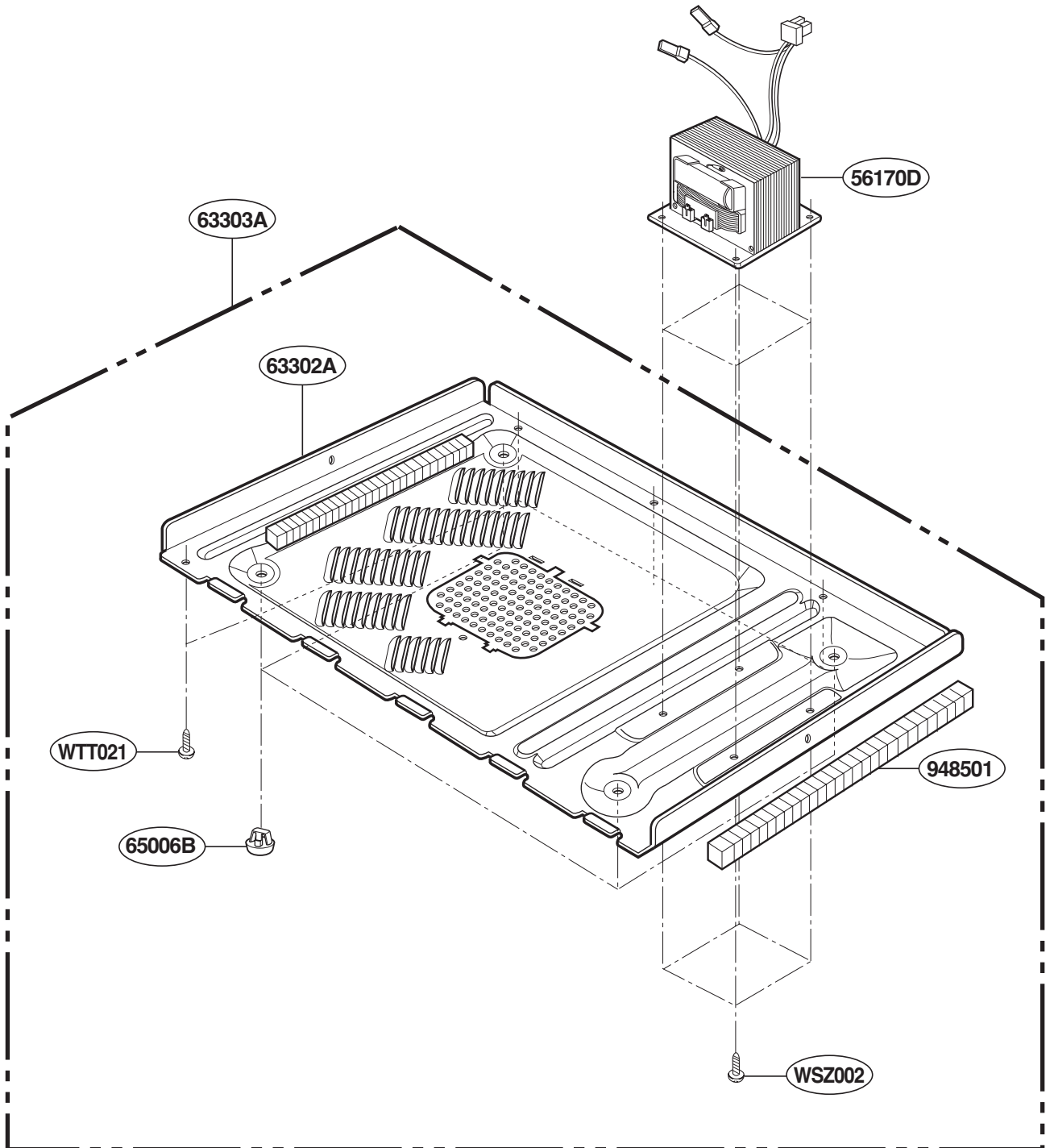
# LATCH BOARD PARTS



# INTERIOR PARTS



# BASE PLATE PARTS



# SENSOR PARTS

