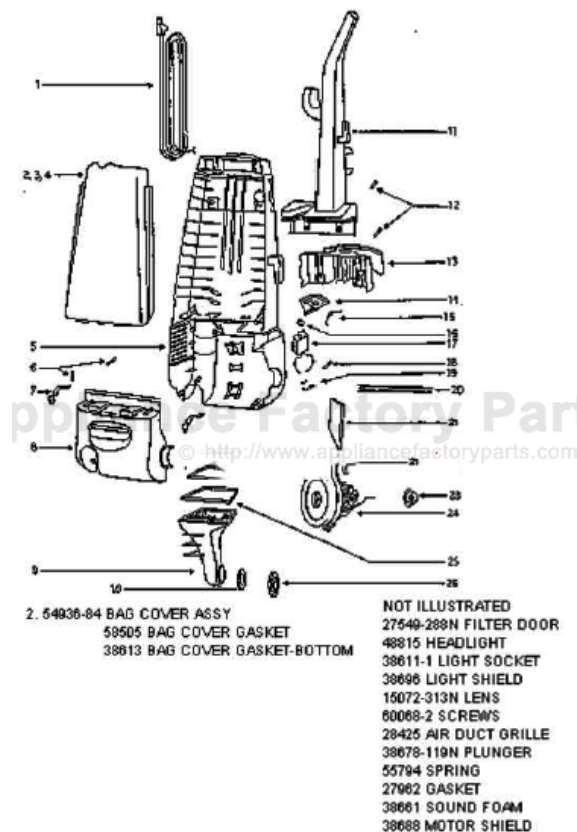


Eureka 4464AT Owner's Manual

[Shop genuine replacement parts for Eureka 4464AT](#)

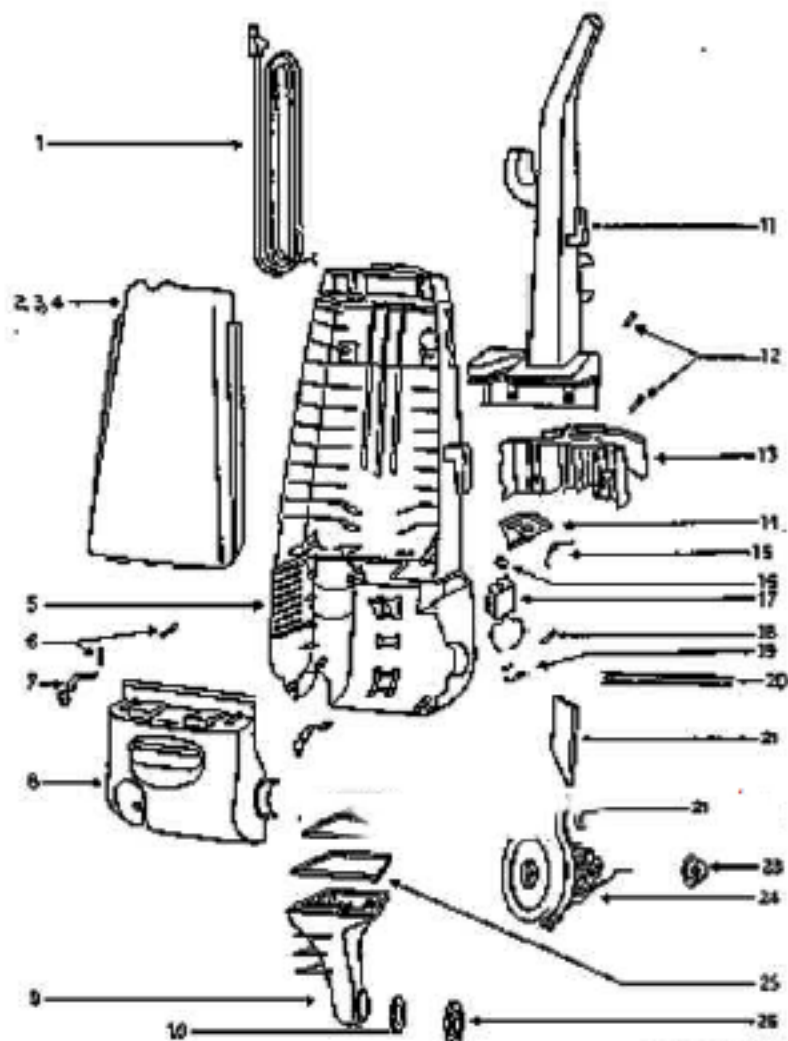


[Find Your Eureka Vacuum Cleaner Parts - Select From 855 Models](#)

----- Manual continues below part list -----

Available Replacement Parts for Eureka 4464AT

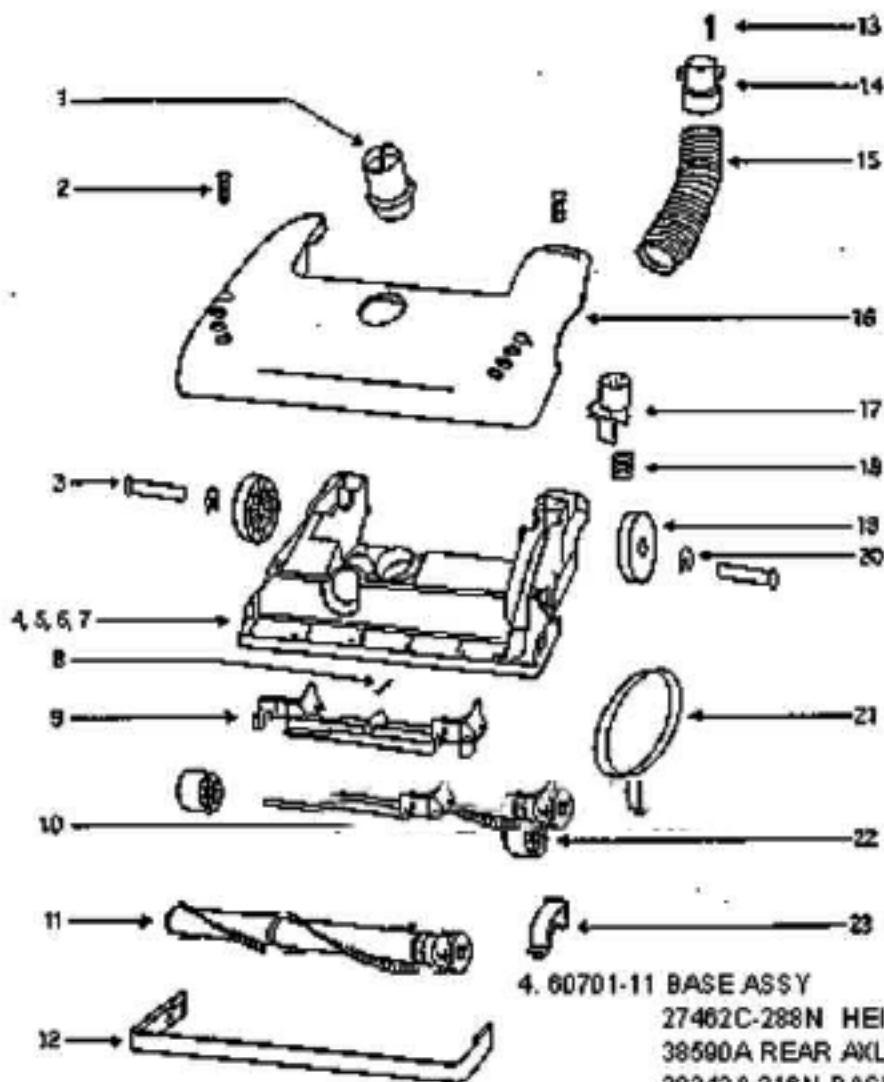
e-39266	BELT OEM EUREKA EXTENED LIFE 1 PACK
E-54943	Spring,
E-39173A-119N	Front wheel
E-27237-3	CREVICE TOOL



2. 54936-84 BAG COVER ASSY
 58505 BAG COVER GASKET
 38613 BAG COVER GASKET-BOTTOM

NOT ILLUSTRATED
 27549-289N FILTER DOOR
 48815 HEADLIGHT
 38611-1 LIGHT SOCKET
 38696 LIGHT SHIELD
 15072-313N LENS
 60068-2 SCREWS
 28425 AIR DUCT GRILLE
 38678-119N PLUNGER
 55794 SPRING
 27962 GASKET
 38661 SOUND FOAM
 38688 MOTOR SHIELD

Ref#	Part	Description	Comments	Qty
1	02093A-119N	CADDY - TOOL		
2	15072-313N	LENS - MOTOR COVER		
3	15536A-119N	AIR DUCT		
4	27171A	GASKET		
5	27474C-288N	SWITCH - BUTTON		
6	27549-288N	DOOR - FILTER		
7	27552B	GROMMET		
8	27962	GASKET		
9	28304A	SWITCH - PUSHBUTTON		
10	28425	GRILLE - AIR DUCT		
11	38420-2	CLAMP		
12	38611-1	HEADLAMP SCKT & TERMINAL		
13	38613	GASKET		
14	38661	FOAM - SOUND		
15	38678-119N	PLUNGER		
16	38680-17	SUPPLY CORD & TERMINAL AS		
17	38688	MOTOR SHIELD		
18	39023	FLANGE - MOTOR INTAKE		
19	39252-2	THERMOSTAT & TERMINAL ASS		
20	48815	LAMP - HEADLIGHT		
21	53197-1	SCREW PACKAGE		
22	54936-84	BAG COVER ASSY - PACKAGED		
23	55794	SPRING		
24	58505	GASKET - BAG COVER		
25	59297SV	GASKET - AIR DUCT		
26	60068-2	SCREW PACKAGE		
27	60126-15	REAR HOUSING - PACKAGED		
28	60134	TORS SPRING PKG		
29	60192-1	WIRE SPLICE 5		
30	60845-1	MOTOR ASSEMBLY - PACKAGED		
31	61333	MOTOR FILTER PACKAGE		
32	61432-14	MOTOR COVER ASSY W/O LENS		
33	70521	RETAINING RING PKG		
34	71139-1	HANDLE & CAP ASSEMBLY		
35	71262			



4. 60701-11 BASE ASSY

27462C-288N HEIGHT ADJ KNOB

38590A REAR AXLE

28243A-316N BASE ADAPTER

57569 FELT GASKET

58506-4 GASKET

54943 SPRING

14993C-119N WHEEL CARRIAGE

58206-1 WHEEL AXLE

27493-288N REAR WHEEL

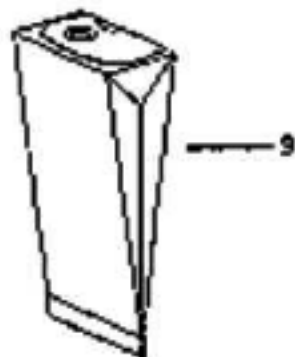
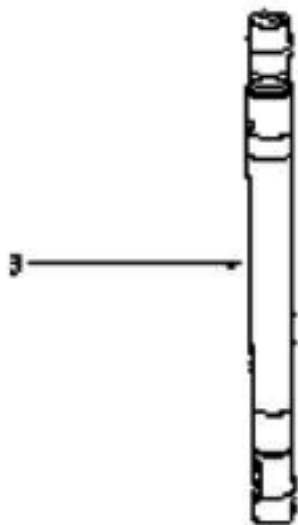
54432 RETAINING RING

39173A-119N FRONT WHEEL

Ref#	Part	Description	Comments	Qty
1	14993C-119N	CARRIAGE - WHEEL		
2	15591-288N	GUARD - FURNITURE		
3	27462C-288N	OPERATOR - HEIGHT ADJUSTM		
4	27467A-288N	RELEASE - HANDLE		
5	27468D-119N	CUFF - HOSE		
6	27493-288N	WHEEL - REAR		
7	28243A-316N	ADAPTER - BASE		
8	38479-4	HOSE - COMPRESSION (PURCH		
9	38590A	AXLE - REAR		
10	39173A-119N	WHEEL - FRONT		
11	53197-1	SCREW PACKAGE		
12	54376-2	BELT CAP & GASKET - PACKA		
13	54432	PACKAGE - RETAINING RING		
14	54943	SPRING PACKAGE		
15	57569	GASKET - FELT		
16	58206-1	AXLE - WHEEL		
17	58506-4	GASKET		
18	60069-64	HOOD ASSEMBLY - PACKAGED		
19	60133	COMPRESSION SPRING - PACK		
20	60701-11	BASE ASSY - PKGD		
21	61120	BELT PKG ASSY-U-EXTENDED		
22	61308-2	BRUSHROLL ASSEMBLY - CART		



- 2. 61028-1 HOSE ASSY
- 27461B-119N HOSE ADAPTER
- 37057A-3 HOSE COUPLING



Ref#	Part	Description	Comments	Qty
1	26708-119N	TOOL - CREVICE		
2	27461B-119N	ADAPTER - HOSE		
3	37057A-3	COUPLING - HOSE		
4	58607	SCREW PACKAGE		
5	58623A	PAPER BAG PKG FA (STYLE A		
6	58728B	NESTING WAND ASSEMBLY		
7	61028-1	HOSE ASSEMBLY - CARTONED		
8	61037	COMBINATION TOOL - PACKAG		
9	70262B	OWNER'S GUIDE		