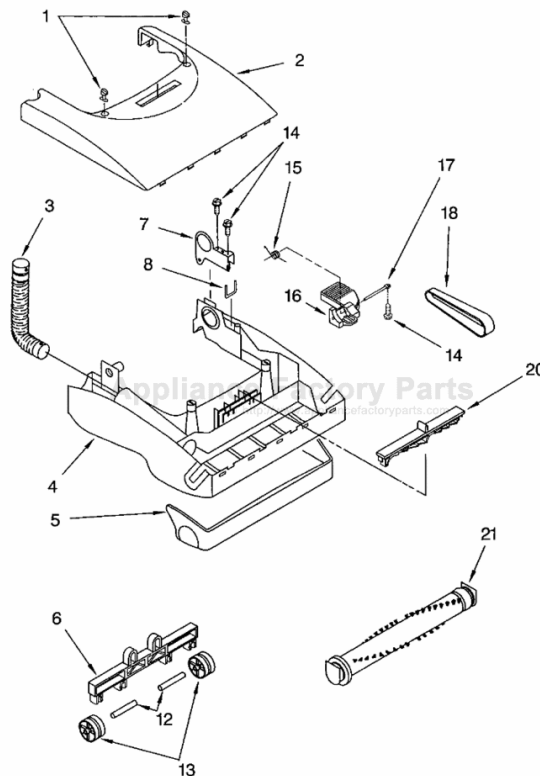


This Owner's Manual is provided and hosted by Appliance Factory Parts.



Kenmore 116.32721200 Owner's Manual

[Shop genuine replacement parts for Kenmore
116.32721200](#)



[Find Your Kenmore Vacuum Cleaner Parts - Select From 745 Models](#)

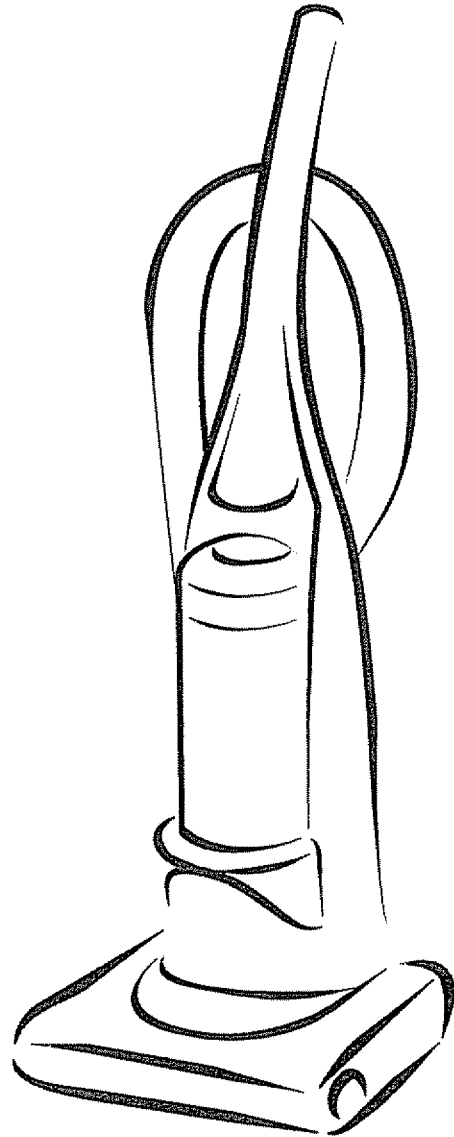
----- Manual continues below -----



V

Aspiradora

Model , Modelo 116.32720
116.32720A
116.32721



CAUTION:

Read and follow all safety and operating instructions before first use of this product.

CUIDADO:

Lea y sigue todas las instrucciones de operación y seguridad antes del uso de este producto.

Sears, Roebuck and Co., Hoffman Estates, IL 60179 U.S.A.
www.sears.com

Part No. C01ZBRS30000-8192110

Printed in U.S.A.

TABLE OF CONTENTS

Before Using Your New Vacuum	2	Vacuum Cleaner Care	12
Kenmore Vacuum Cleaner Warranty	2	Vacuum Storage	12
Important Safety Instructions	3	Cleaning Exterior and Attachments	12
Parts and Features	4	Dust Bin Cleaning	13-14
Assembly Instructions	5-6	Secondary Filter Cleaning	15
Operating Instructions	7	Filter Changing/Cleaning	17
Pile Height Selection and Setting	7	Belt Changing and Agitator Cleaning	16-17
Releasing the Handle	8	Clog Removal	18
ON/OFF Switch	8	Agitator Servicing	20
Attachments	9-10	Agitator Assembly	20
Attachment Use Chart	10	Troubleshooting	21
Vacuuming Tips	11	Requesting Assistance	
Performance Features	11	Or Service	(back page)

BEFORE USING YOUR NEW VACUUM

Please read this guide. It will help you assemble and operate your new Kenmore vacuum in the safest and most effective way.

For more information about vacuum cleaner care and operation, call your nearest Sears store. You will need the complete model and serial numbers when requesting information. Your vacuum's model and serial numbers are located on the Model and Serial Number Plate.

Use the space below to record the model number and serial number of your new Kenmore vacuum.

Model No. _____

Serial No. _____

Date of Purchase _____

Keep this book and your sales check (receipt) in a safe place for future reference.

KENMORE VACUUM CLEANER WARRANTY

LIMITED ONE YEAR WARRANTY ON KENMORE VACUUM CLEANER

This warranty is for one year from the date of purchase, and includes only private household vacuum cleaner use. During the warranty year, when this vacuum cleaner is operated and maintained according to the owner's manual instructions, Sears will repair any defects in material or workmanship free of charge.

This warranty excludes vacuum bags, belts, light bulbs, and filters, which are expendable parts and become worn during normal use.

For warranty service, return this vacuum cleaner to the nearest Sears Service Center in the United States.

This warranty applies only while this product is in use in the United States. This warranty gives you specific legal rights, and you may also have other rights which vary from state to state.

Sears, Roebuck and Co., D/817 WA, Hoffman Estates, IL 60179

IMPORTANT SAFETY INSTRUCTIONS



WARNING

Your safety is important to us. To reduce the risk of fire, electrical shock, injury to persons or damage when using your vacuum cleaner, follow basic safety precautions including the following:

Read this manual before assembling or using your vacuum cleaner.

Use your cleaner only as described in this manual. Use only with Sears recommended attachments.

To reduce the risk of electrical shock – **Do not** use outdoors or on wet surfaces.

Disconnect electrical supply before any servicing or cleaning. Failure to do so could result in electrical shock or personal injury.

Always turn cleaner off before unplugging.

Do not unplug by pulling on cord. To unplug, grasp the plug, not the cord.

Do not use with damaged cord or plug. If cleaner is not working as it should, has been dropped, damaged, left outdoors, or dropped into water, return it to a Sears Service Center.

Do not pull or carry by cord, use cord as a handle, close door on cord, or pull cord around sharp edges or corners. Do not run cleaner over cord. Keep cord away from heated surfaces.

Do not leave cleaner when plugged in. Unplug from outlet when not in use and before servicing.

Do not allow to be used as a toy. Close attention is necessary when used by or near children.

Do not handle plug or cleaner with wet hands.

Do not put any objects into openings.

Do not use with any opening blocked; keep free of dust, lint, hair and anything that may reduce air flow.

Keep hair, loose clothing, fingers, and all parts of body away from openings and moving parts.

Do not use cleaner without dust bin and/or filters in place.

Always clean the dust bin after vacuuming carpet cleaners or freshener, powders and fine dust. These products clog the filters, reduce airflow and can cause damage to the cleaner. Failure to clean the dust bin could cause permanent damage to the cleaner.

Do not use the cleaner to pick up sharp hard objects, small toys, pins, paper clips, etc. They may damage the cleaner or dust bin.

Do not pick up anything that is burning or smoking, such as cigarettes, matches, or hot ashes.

Do not use cleaner to pick up flammable or combustible liquids (gasoline, cleaning fluids, perfumes, etc.), or use in areas where they may be present. The fumes from these substances can create a fire hazard or explosion.

Use extra care when cleaning on stairs. Do not put on chairs, tables, etc. Keep on floor.

You are responsible for making sure that your vacuum cleaner is not used by anyone unable to operate it properly.

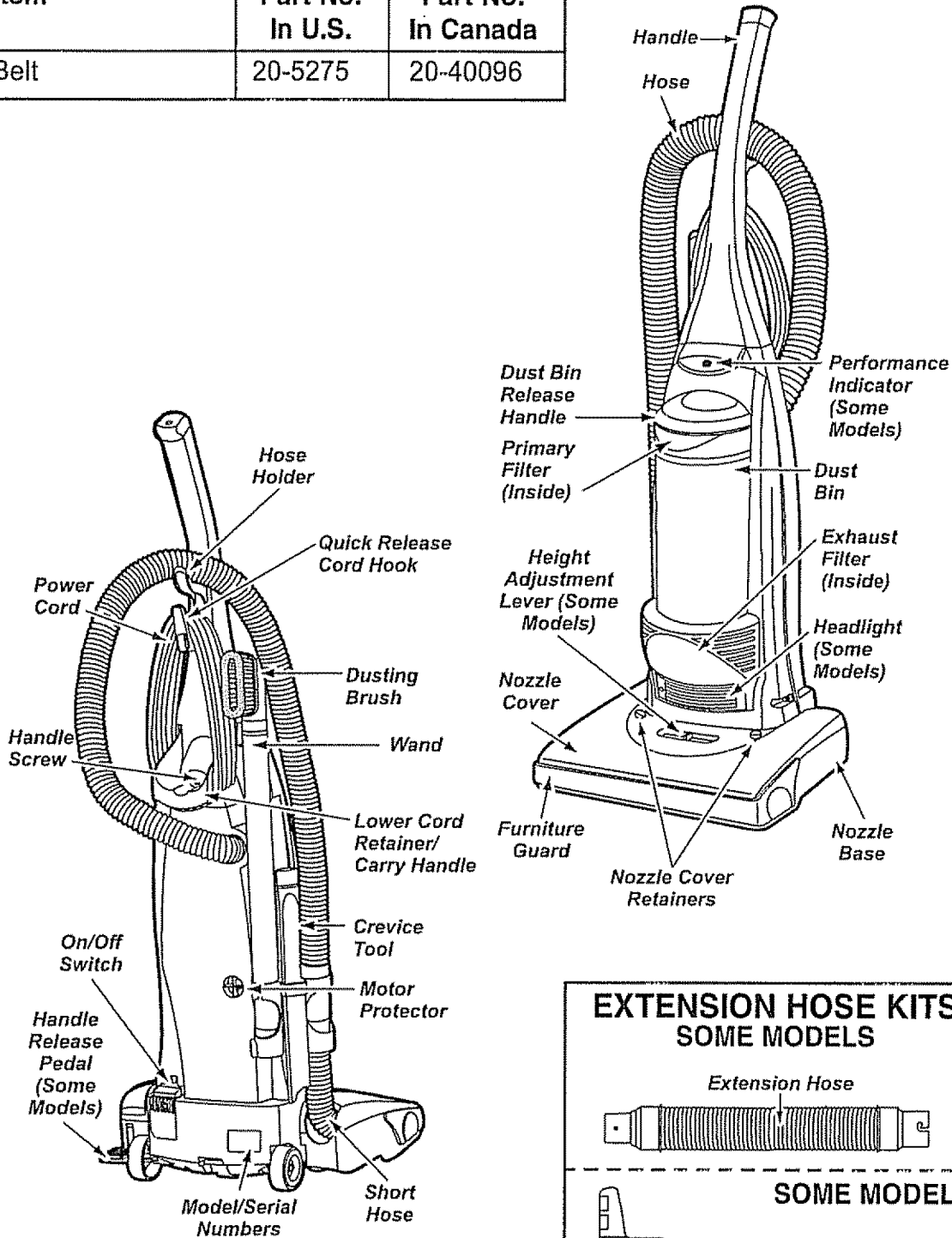
SAVE THESE INSTRUCTIONS

Proper assembly and safe use of your vacuum cleaner are your responsibilities. Your cleaner is intended only for household use. Read this Owner's Manual carefully for important use and safety information. This guide contains safety statements under warning and caution symbols. Please pay special attention to these boxes and follow any instructions given. **WARNING** statements alert you to such dangers as fire, electrical shock, burns and personal injury. **CAUTION** statements alert you to such dangers as personal injury and/or property damage.

PARTS AND FEATURES

It is important to know your vacuum cleaner's parts and features to assure its proper and safe use. Review these before using your cleaner.

Item	Part No. In U.S.	Part No. In Canada
Belt	20-5275	20-40096



ASSEMBLY INSTRUCTIONS

Before assembling vacuum, check the PACKING LIST on the cover of the separate Repair Parts List. Use this list to verify that you have received all the components of your new Kenmore vacuum.



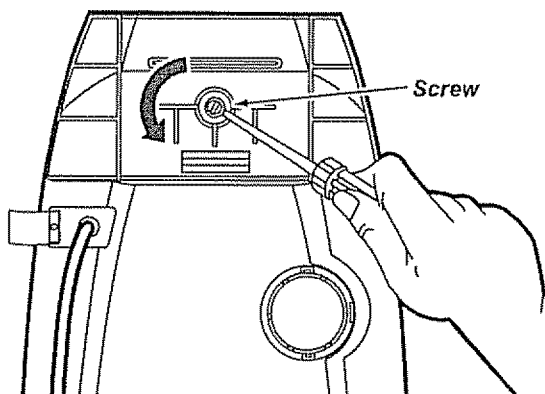
WARNING

Electrical Shock Hazard

Do not plug into the electrical supply until the assembly is complete. Failure to do so could result in electrical shock or injury.

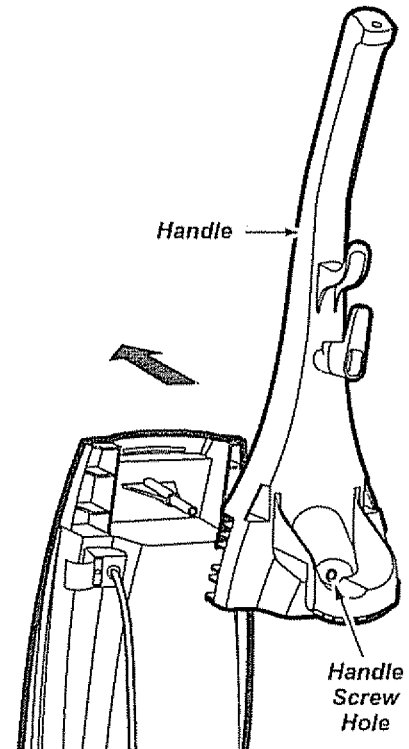
HANDLE ASSEMBLY

Remove the screw located just below the top edge of the back of the vacuum.

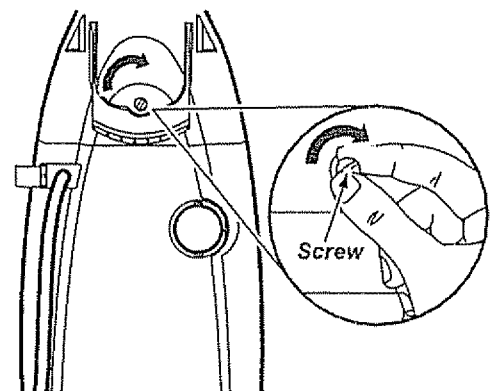


Position the handle as shown in the illustration below.

While holding the power cord out of the way, slide the handle into the opening at the top of the vacuum.



Insert the screw so it passes through the handle into the vacuum.



Begin to tighten the screw with your fingers. It may be necessary to adjust the handle slightly.

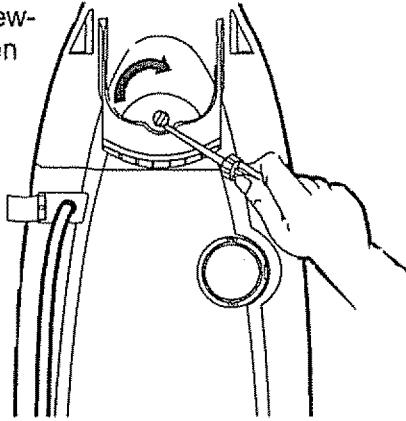
ENGLISH



CAUTION

- Do not overtighten.
- Overtightening could strip the screw holes.
- Do not operate the cleaner without the screw in place.

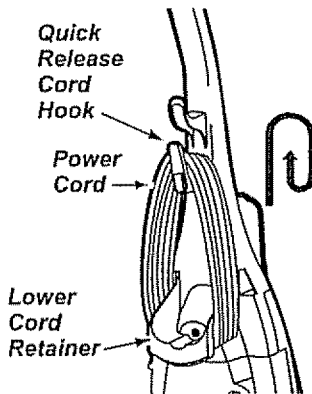
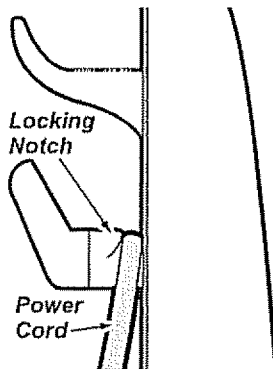
Using a screwdriver, tighten the screw.



CORD ASSEMBLY

Make sure the quick release cord hook is in the upright position. Remove the wire tie from the power cord.

Lock the cord into place by forcing it into the locking notch on the body of the quick release cord hook as shown. This helps keep the power cord out from under the vacuum cleaner agitator.

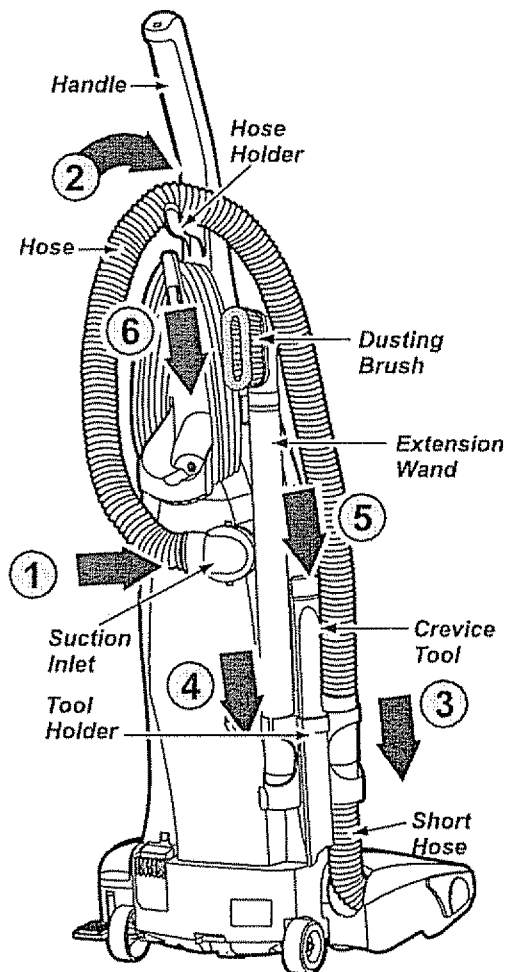


Wrap the power cord around the quick release cord hook and lower cord retainer, then lock the power cord plug onto the power cord.

ATTACHMENT STORAGE

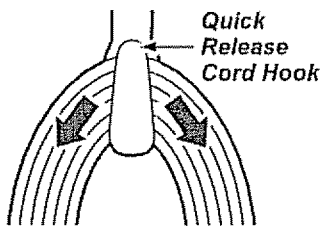
After the handle has been assembled to the body and the power cord has been wrapped around the cord hooks, the attachments can be placed in their holders.

1. Snap the suction inlet end of the hose into the back of the vacuum cleaner.
2. Place the hose behind the handle and over the hose holder.
3. Place the hose in the front slot of the tool holder, twisting and pushing down over the short hose to assure a good connection.
4. Place the extension wand in the rear slot of the tool holder.
5. Slide the crevice tool into the slot beside the wand.
6. Place the dusting brush or combination brush on the wand with the brush portion up.



OPERATING INSTRUCTIONS

HOW TO START



1. Turn the quick release cord hook to either side and down to release the power cord.

2. Release the power cord plug from the power cord and pull the cord off the quick release cord hook. Check to be sure the power cord is still locked into the locking notch in the quick release cord hook.

NOTE: To reduce the risk of electric shock, this vacuum cleaner has a polarized plug; one blade is wider than the other. This plug will fit in a polarized outlet only one way. If the plug does not fit fully in the outlet, reverse the plug. If it still does not fit, contact a qualified technician to install the proper outlet. Do not change the plug in any way.



WARNING

Personal Injury and Product Damage Hazard

- **DO NOT** plug in if switch is in the ON position. Personal injury or damage could result.
- **DO NOT** use outlets above counters. Damage from cord to items in surrounding area could occur.

3. Plug the polarized power cord into a 120 Volt outlet located near the floor.

ENGLISH

PILE HEIGHT SELECTION AND SETTING

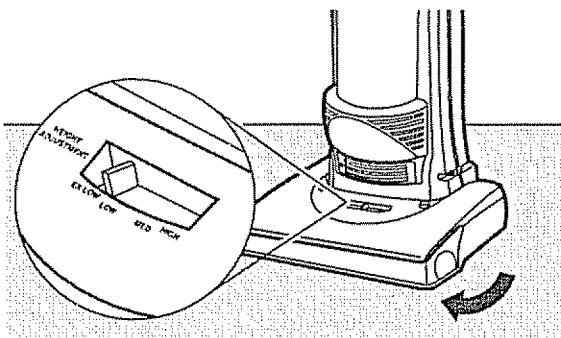
SOME MODELS

To select a pile height setting:

Turn off cleaner. Select a pile height setting by tilting the cleaner back until front wheels are lifted slightly off the floor as illustrated.

Slide the adjustment lever to the correct setting.

Models with no selector adjust automatically for varying carpet heights.



SUGGESTED PILE HEIGHT SETTINGS

You may need to raise the height to make some jobs easier, such as scatter rugs and longer pile carpets. Suggested settings are:

Models with two (2) positions:

HIGH: medium to long pile.

LOW: short to medium pile.

Models with four (4) positions:

HIGH: shag carpet, long pile, plush, scatter rugs

MED: medium to long pile.

LOW: short to medium pile.

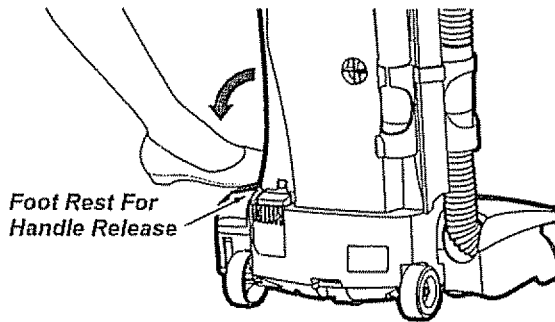
EX LOW: very low pile.

Place unit in "HIGH" when using attachments to prevent possible floor damage.

ATTENTION: Special care is required when vacuuming certain types of carpet or floor covering. Always check the carpet or floor covering manufacturer's recommended cleaning instructions before vacuuming.

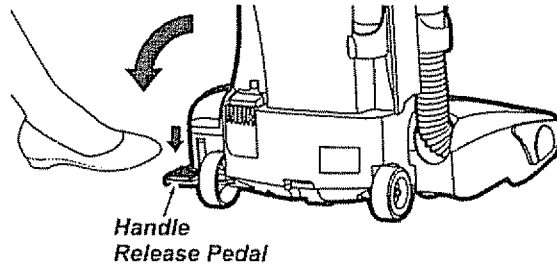
RELEASING THE HANDLE

Release the handle by placing your foot on the foot rest and pull back on the handle until it releases from its upright position.



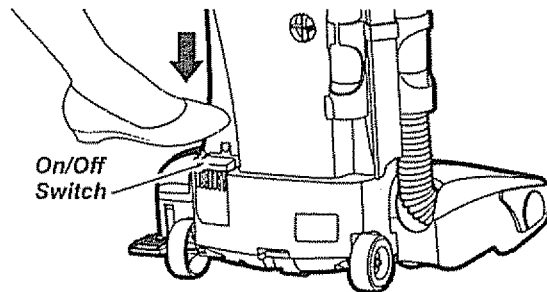
SOME MODELS

Release the handle by pressing down on the handle release pedal with your foot and pulling back and down on the handle with your hand.



ON/OFF SWITCH

To start the vacuum cleaner, step on the ON/OFF switch located on the back of the vacuum. To stop the vacuum cleaner, step on the switch a second time.



ATTACHMENTS



WARNING

Personal Injury Hazard and Property Hazard

DO NOT place hands or feet underneath the unit at any time. When using attachments, the agitator continues rotating. Do not allow the cleaner to remain in just one place for a period of time as the agitator may damage the floor surface. Avoid placing the cleaner on furniture, the fringed area of rugs, deep pile carpeting, or carpeted stairs. The ideal position for the cleaner when using attachments is for the unit to be on a level area with the handle in the full upright position.

TO USE ATTACHMENTS

Place the cleaner on a flat surface, and move the height adjustment to **HIGH**.

The attachments will fit on the hose or the wand. In addition, the dusting brush or combination brush will also fit on the crevice tool.

The hose and wand can be pulled off the short hose by grasping the cuff and twisting while pulling up.



CAUTION

DO NOT pull the vacuum cleaner around the room by the hose. Property damage could result.

The attachments can be added to the hose if the item to be cleaned is not far from the cleaner. The hose on some models will expand.

NOTE: When cleaner is turned on, the hose on some models will have a tendency to collapse due to suction of the cleaner.

If more reach is needed, the wand can be attached to the hose and the attachments can be added to the wand.

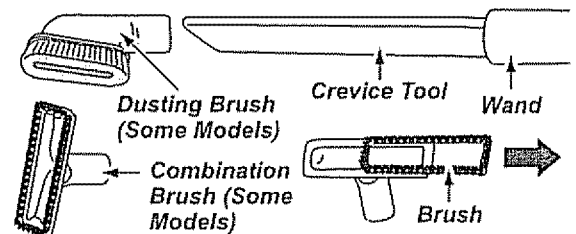


CAUTION

When using attachments, be careful not to overextend the hose length when reaching. Trying to reach beyond the hose reach could cause the cleaner to tip over.

SOME MODELS

An extra wand, without tabs, is included. This extra wand can be added to the wand with tabs for extra reach. Insert wand and twist a quarter of a turn to secure fit.



If the dusting brush/combination brush is being used and more distance is needed, the crevice tool can be added to the wand, then the dusting brush/combination brush can be added to the crevice tool.

TO STORE ATTACHMENTS

Return the hose to its position on the short hose and the attachments to their holders.



CAUTION

Attachments used in dirty areas, such as under a refrigerator, should not be used on other surfaces until they are washed. They could leave marks.

ENGLISH



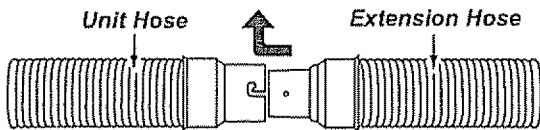
CAUTION

When using the regular hose or with the extension hose attached, the cleaner should be on a solid surface on the same level or below the level of the user's feet. **DO NOT** use the hoses when the cleaner is above the level of the user's feet.

EXTENSION HOSE

SOME MODELS

Some models include an extra hose which connects to the stretch hose on the vacuum for a longer cleaning reach.



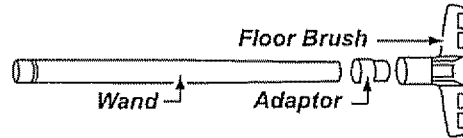
Insert the two tabs on the end of the extension hose into the two "J" shaped slots on the unit hose and twist to connect.

All attachments and the wand can be attached to the open end of the hose.





FLOOR BRUSH AND WAND

SOME MODELS

Some models have an extra brush and wand for cleaning bare floors. Twist one end of the adaptor into the floor brush and the other end into the straight wand. Connect the straight wand to the telescopic wand and then to the vacuum hose or extension hose.



ATTACHMENT USE CHART

ATTACHMENT	CLEANING AREA				
	Furniture*	Between Cushions*	Drapes*	Stairs	Walls
DUSTING BRUSH 	X		X	X	X
CREVICE TOOL 	X	X		X	
COMBINATION BRUSH 	X		X	X	
Handi-Mate ® Jr. 	X			X	

The motor protector may open when using attachments or when cleaning new carpet due to reduced air flow caused by the attachments themselves or by new carpet fuzz filling the bag quickly.

*Always clean attachments before using on fabrics.

VACUUMING TIPS



WARNING

Personal Injury Hazard

Use care if vacuum cleaner is placed on stairs. If it falls, personal injury or property damage could result.

Carpet edges

Guide either side or the front of the nozzle along a baseboard. The full length brushes help remove trapped dirt at carpet edges.

Stairs

Put handle in full upright position. Use the crevice tool or dusting brush. Set the On/Off switch to ON.

PERFORMANCE FEATURES

MOTOR PROTECTION SYSTEM

Thermal Protector

This vacuum has a thermal protector which automatically trips to protect the vacuum from overheating. If a clog prevents the normal flow of air to the motor, the thermal protector turns the motor off automatically to allow the motor to cool in order to prevent possible damage to the vacuum. During this time the headlight remains on.

To correct problem: If this occurs, turn the vacuum off and unplug the power cord from the outlet to allow the vacuum to cool and the thermal protector to reset. **Check for and remove clogs, if necessary. Also check and clean/replace any clogged filters. Wait approximately thirty (30) minutes and plug the vacuum in and turn back on to see if the motor protector has reset. The motor protector will not reset if the vacuum is not turned off even if the vacuum has cooled down.**

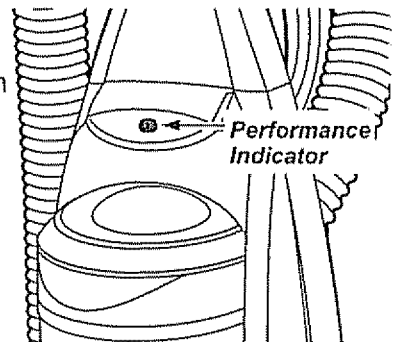
PERFORMANCE INDICATOR

SOME MODELS

When the unit is running with normal air flow, the light on the performance indicator is off. The light comes on whenever the airflow becomes blocked. If that occurs, check the dust bin, clean/replace clogged filters, and check other possible clog locations shown in CLOG REMOVAL.

To correct problem: See the TROUBLESHOOTING chart.

NOTE: The light may also come on when using attachments, due to reduced airflow through the attachment.



VACUUM CLEANER CARE

Always follow all safety precautions when cleaning and servicing the vacuum cleaner.



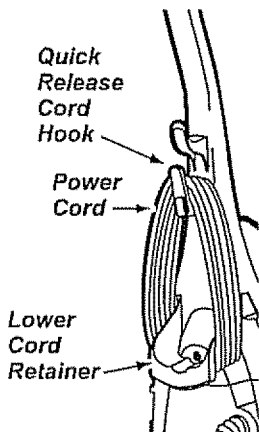
WARNING

Electrical Shock And Personal Injury Hazard

Disconnect electrical supply before servicing or cleaning the unit. Failure to do so could result in electrical shock or personal injury from cleaner suddenly starting.

VACUUM STORAGE

Gather the power cord and wrap it loosely around the quick release cord hook and lower cord retainer.



Store the cleaner in a dry, indoor area, on the floor with the handle locked in the upright position.



WARNING

Electrical Shock And Personal Injury Hazard

Wrapping the cord too tightly puts stress on the cord and can cause cord damage. A damaged cord is an electrical shock hazard and could cause personal injury or damage.

CLEANING EXTERIOR AND ATTACHMENTS

Unplug cord from wall outlet.

DO NOT drip water on cleaner.

To reduce static electricity and dust build-up, wipe outer surface of cleaner using a clean, soft cloth that has been dipped in a solution of mild liquid detergent and water, then wrung dry. Wipe dry after cleaning.

Wash attachments in warm soapy water, rinse and air dry. **Do not clean in dishwasher.**



CAUTION

Do not use attachments if they are wet. Attachments used in dirty areas, such as under a refrigerator, should not be used on other surfaces until they are washed. They could leave marks.

DUST BIN CLEANING

Always empty the dust bin when dirt level reaches the "MAX FILL" line.

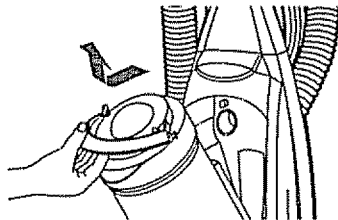
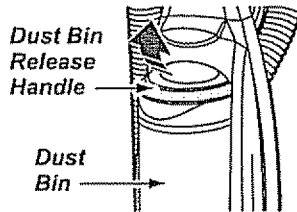
TO REMOVE DUST BIN



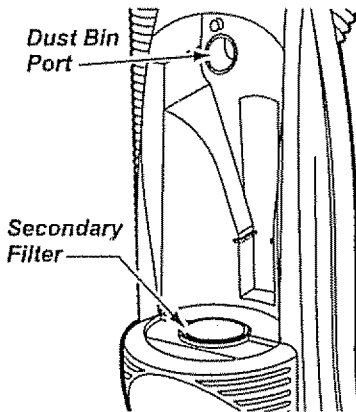
WARNING

Always unplug power cord from electrical outlet before performing any service on vacuum.

Lift dust bin handle located at the top of the dust bin.



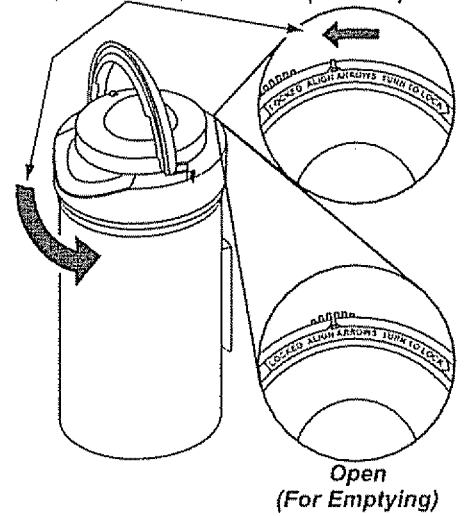
Pull the handle forward and lift dust bin up and out of the vacuum cleaner.



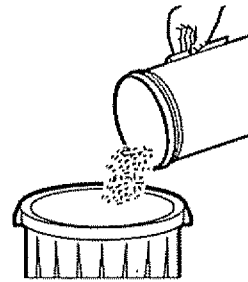
Remove any clogs that might be located in the dust bin port or the secondary filter.

TO EMPTY DUST BIN

Turn This Direction To Open For Emptying



Rotate dust bin lid assembly counterclockwise as indicated on the lid and lift off.



Pour dust bin contents into a trash container.

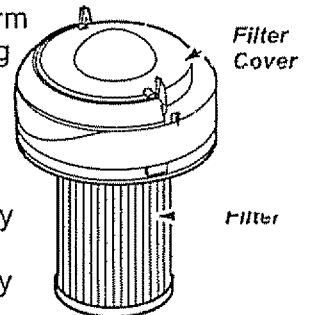
TO CLEAN FILTER

The filter may be cleaned by tapping it on a firm surface or by rinsing it under a faucet.

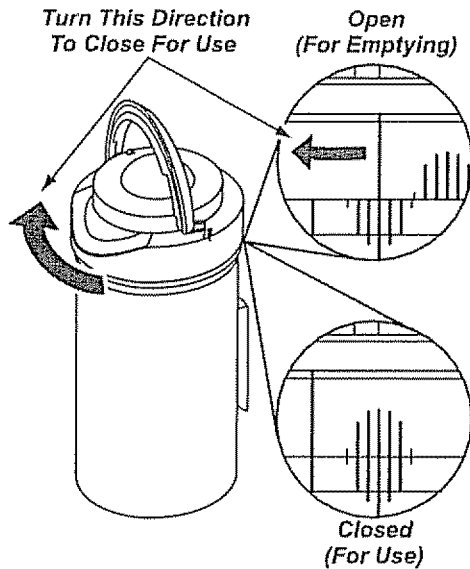
(see Filter Changing/Cleaning)

Rinse with water only, do not use any detergent or soap.

Allow the filter to dry for 24 hours before putting it back into the vacuum.

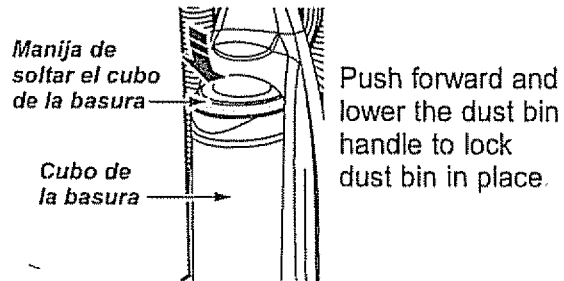
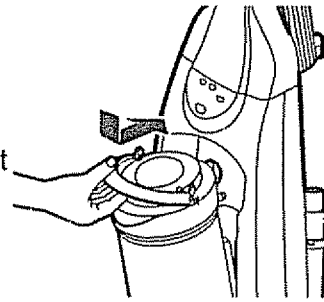


TO REPLACE DUST BIN



Place dust bin lid assembly back onto top of dust bin. Align lid marks with bin marks as shown above in **Open (For Emptying)**. Rotate lid clockwise while pressing downward so that marks align as shown in **Closed (For Use)**.

Place dust bin back into vacuum cleaner by inserting the bottom first and tilt back with the dust bin handle raised.



SECONDARY FILTER CLEANING

Check secondary filter frequently and clean when dirty.



WARNING

Electrical Shock Hazard

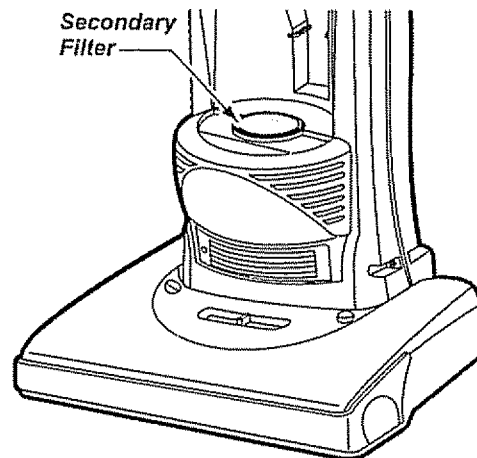
Do not operate the cleaner without the motor safety filter. Be sure the filter is properly installed to prevent motor failure and/or electrical shock.

Always unplug power cord from electrical outlet before performing any service on vacuum.

SECONDARY FILTER FOAM

Remove the dust bin as outlined in the **DUST BIN CLEANING** section.

Remove secondary filter from vacuum cleaner.



Wash the secondary filter in warm soapy water; rinse and dry thoroughly by squeezing the filter in your hand and letting it air dry.

DO NOT wash in the dishwasher.

DO NOT install damp.

Replace dry secondary filter. Ensure filter is properly installed over filter opening.

Replace the dust bin as outlined in the **DUST BIN CLEANING** section.

FILTER CHANGING/CLEANING



WARNING

Electrical Shock Hazard
Unplug power cord from electrical outlet. Do not operate the cleaner without the primary or exhaust filters. Be sure the filters are properly installed to prevent motor failure and/or electrical shock.

PRIMARY FILTER

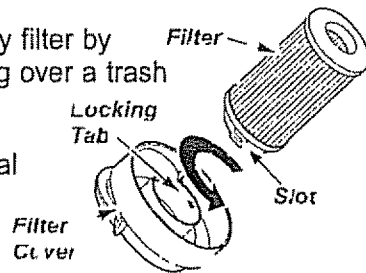
Check primary filter frequently and clean when dirty.

TO REMOVE PRIMARY FILTER

Remove the dust bin and dust bin lid assembly as outlined in the DUST BIN CLEANING section. While holding the primary filter over a trash container grasp filter, rotate and lift off.

Clean primary filter by gently tapping over a trash container

Tap on several sides to ensure best cleaning.

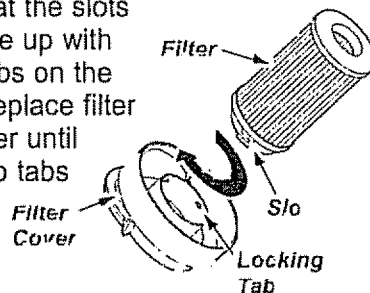


Rinse with water only as needed (see Dust Bin Cleaning).

When cleaning the filter no longer restores vacuum suction to full power you need to replace the filter.

TO REPLACE PRIMARY FILTER

Make sure that the slots of the filter line up with the locking tabs on the filter cover. Replace filter and rotate filter until slots lock onto tabs in cover.



Note: Under normal use and care, your filter can be expected to last up to 3 years.

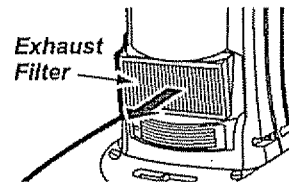
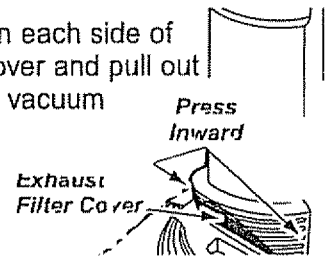
Re-attach the filter cover and filter to dust bin (see Dust Bin Cleaning). Place dust bin back into cleaner

EXHAUST FILTER ELECTROSTATIC

The exhaust filter must be replaced when dirty. It should be replaced regularly depending on use conditions.

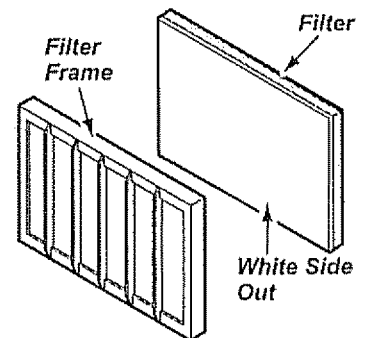
The filter **CANNOT** be washed as it will lose its dust trapping ability.

Press inward on each side of exhaust filter cover and pull out to remove from vacuum cleaner.



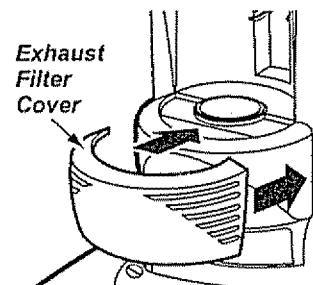
Remove the frame and filter.

Replace the exhaust filter, carefully positioning it so that it fits into the frame.



The white side of the filter should be facing towards the operator.

Push only on filter frame, not on filter itself.



Replace the exhaust filter cover by placing tabs in slots and pushing in until cover snaps into place.

ENGLISH

BELT CHANGING AND AGITATOR CLEANING



WARNING

Electrical Shock Or Personal Injury Hazard

Disconnect electrical supply before servicing or cleaning the unit. Failure to do so could result in electrical shock or personal injury from cleaner suddenly starting.

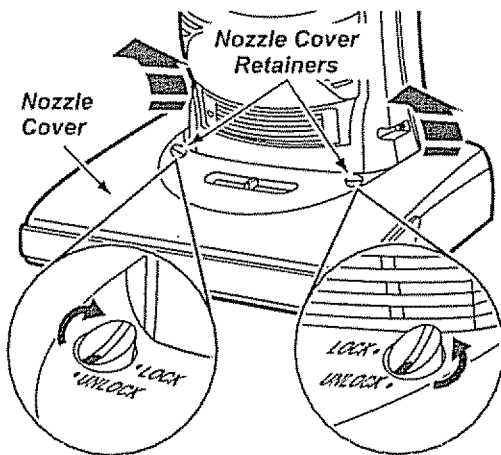
Frequently check and remove hair, string and lint build-up in the brush area. If build-up becomes excessive, follow the steps below. Should the belt become loose or should it break, follow the Belt Removal Instructions.

TO REMOVE NOZZLE COVER

Disconnect electrical supply.

To protect the floor surface, always place paper under the nozzle any time the nozzle cover is removed.

Release the nozzle cover by rotating the nozzle cover retainers to the UNLOCK position. Grasp back of nozzle on each side and lift up to remove it from nozzle cover.



Carefully remove any residue that may exist in the belt area.

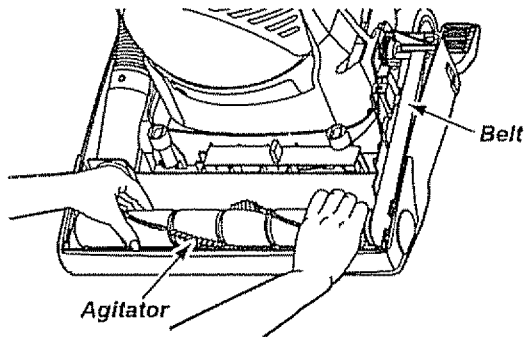


WARNING

Personal Injury Hazard

Always unplug the vacuum cleaner before cleaning the brush area as agitator may suddenly restart. Failure to do so can result in personal injury.

TO REMOVE BELT/CLEAN AGITATOR



Position hands on the agitator. If the belt is still attached to the agitator, there will be tension on it.

Carefully lift the right end of the agitator and then lift the left end.

Remove the worn or broken belt from the motor drive shaft.



WARNING

Personal Injury Hazard

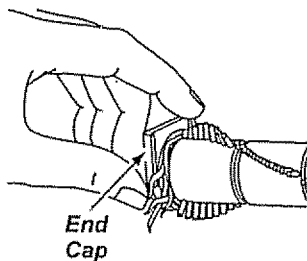
Be careful when removing the agitator as the belt tension is high. Failure to do so could result in personal injury from the agitator releasing quickly and snapping away.

Remove the agitator to check for string and hair build-up.

NOTE: In order to keep cleaning efficiency high and to prevent damage to your vacuum, the agitator must be cleaned every time the belt is changed.

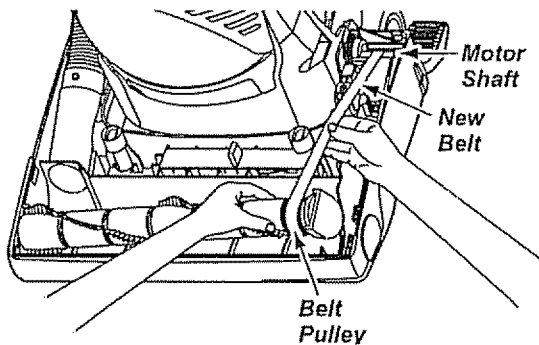
The agitator must also be cleaned according to the following schedule:

<u>Vacuum Use</u>	<u>Clean Agitator</u>
HEAVY - (used daily)	every week
MODERATE - (used 2-3 times/week)	every month
LIGHT - (used 1time/week)	every 2 months



Cut off any carpet pile, hair or lint entangled around the agitator and remove any string or debris located near the end caps.

TO REPLACE BELT



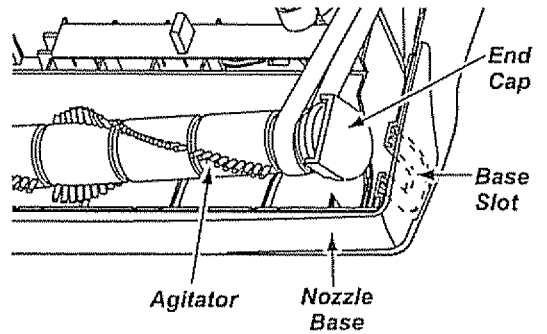
Seat left end of agitator into nozzle base. To seat agitator end, place rounded portion of agitator end cap down into slot in nozzle base.

Loop the new belt on the motor shaft.

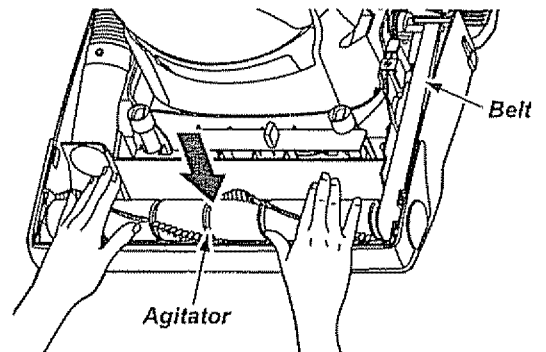
NOTE: See Parts and Features for belt number.

Loop the other end of belt onto the belt pulley on the right end of agitator.

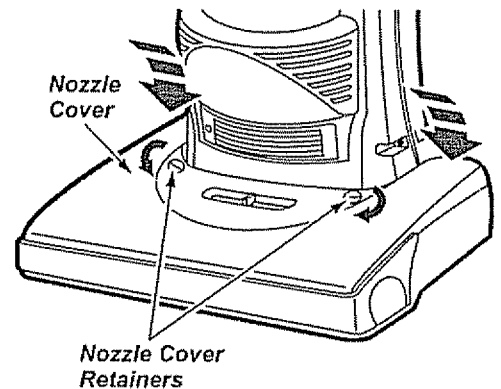
Pull right end of agitator forward and seat it into nozzle base



Press firmly, checking to see that each end is completely inserted.



Check to see that the belt is centered on the belt pulley and that the agitator turns freely.



Make sure the nozzle cover retainers are in the UNLOCK position. Hook the front of the nozzle cover on to the nozzle base and rotate downward. Once in place, rotate the nozzle cover retainers to the LOCK position.

ENGLISH

CLOG REMOVAL



WARNING

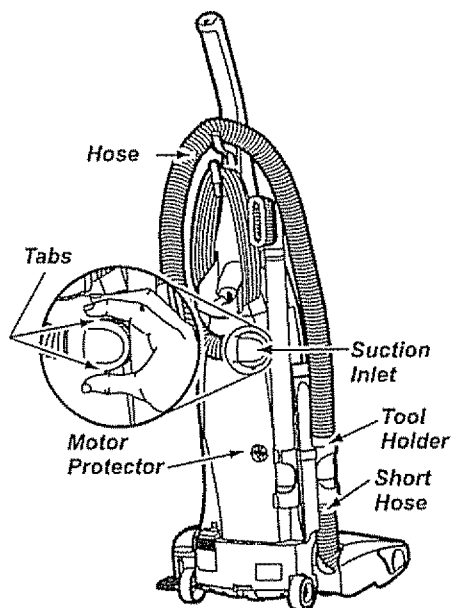
Electrical Shock Or Personal Injury Hazard

Disconnect electrical supply before servicing or cleaning the unit. Failure to do so could result in electrical shock or personal injury from cleaner suddenly starting.

Always follow all safety precautions when cleaning and servicing the vacuum cleaner.

If the cleaner does not seem to have adequate suction, first check if the dust bin is full or if a filter is clogged. See DUST BIN CLEANING and FILTER CLEANING / CHANGING.

If the dust bin and filter areas are free of clogs, check the hose area. Remove the suction inlet by depressing the two tabs that secure it to the back of the vacuum and check for clogging in this area.

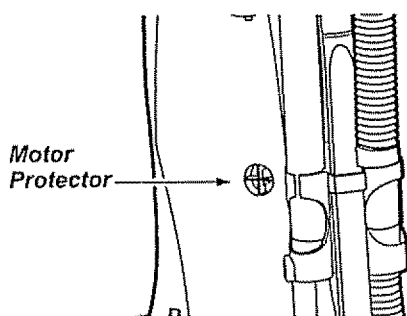


Replace the suction inlet and remove the other end of the hose from the tool holder. Plug in the vacuum and turn it on. While running the vacuum cleaner, stretch the hose in and out to remove the clog. Turn the unit off and unplug the unit.

If the clog still exists, pull the short hose out of the tool holder and inspect the short hose.

Remove any visible clogs.

MOTOR PROTECTOR



NOTE: Do not block motor protector.

This vacuum has a motor protector by-pass valve which automatically opens to provide cooling air to the motor when a clog prevents the normal flow of air. If the by-pass valve opens to prevent motor overheating and possible damage to the vacuum, a change of sound will be noticed as air rushes through the valve opening. If this occurs, turn the vacuum off and unplug the power cord from the outlet. Then check for clogs as described under the CLOG REMOVAL section.

The motor protector by-pass valve may open when using attachments or when cleaning new carpet, due to reduced air flow caused by the attachments themselves or by new carpet fuzz filling the dust bin quickly.

LIGHT BULB CHANGING

SOME MODELS



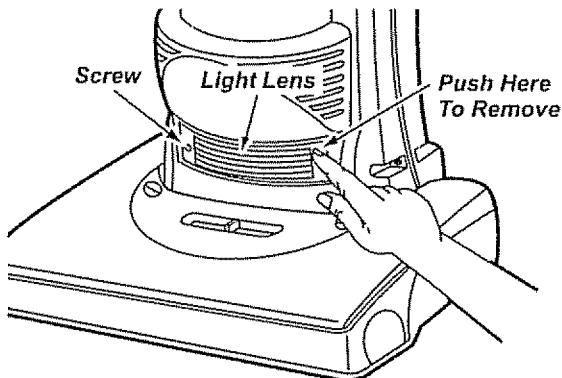
WARNING

Electrical Shock Or Personal Injury Hazard

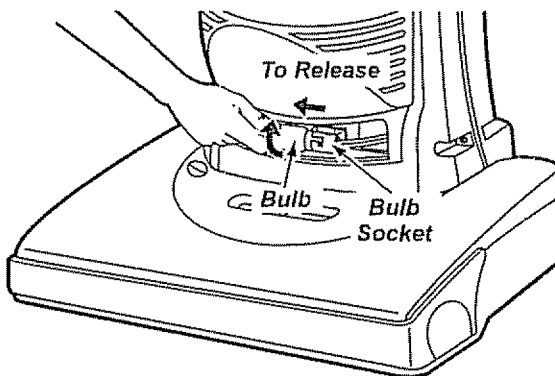
Disconnect electrical supply before servicing or cleaning the unit. Failure to do so could result in electrical shock or personal injury from cleaner suddenly starting.

Disconnect electrical supply.

To access the light bulb, remove the screw which secures the light lens to the vacuum. Remove the lens.

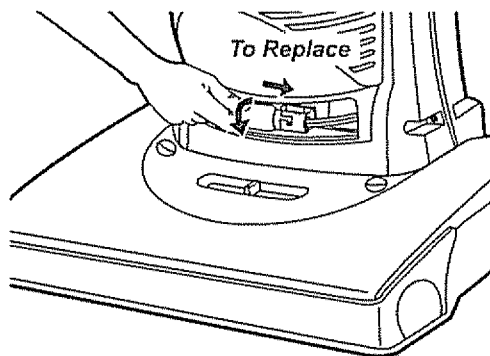


Remove the light bulb by pushing the bulb in while turning counterclockwise to release from the slot. Pull the light bulb straight out.



CAUTION

Do not use a bulb rated over 130 V AC-15 W. During extended use, heat from the bulb could overheat surrounding plastic parts.



ENGLISH

To replace the light bulb, carefully insert and turn clockwise to fit securely into slot.

NOTE: See Parts and Features for bulb number.



CAUTION

Do not plug in or turn on until completely reassembled.

Position the light lens back on the vacuum. Replace the light lens screw.

AGITATOR SERVICING



WARNING

Electrical Shock Or Personal Injury Hazard

Disconnect electrical supply before servicing or cleaning the unit. Failure to do so could result in electrical shock or personal injury from cleaner suddenly starting.

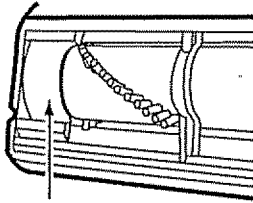
TO REPLACE AGITATOR

Remove the nozzle cover and agitator. See BELT CHANGING AND AGITATOR CLEANING.

Replace agitator with a new one.

Reassemble the belt, agitator and nozzle cover. See BELT CHANGING AND AGITATOR CLEANING.

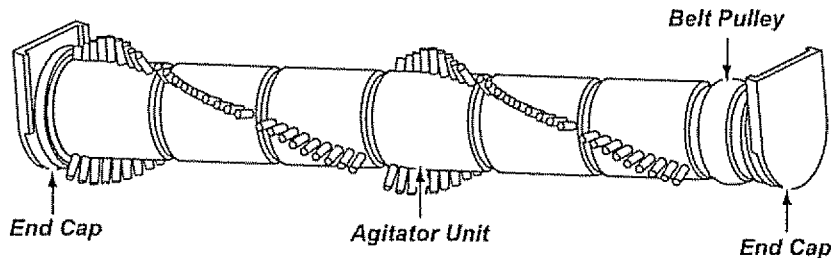
TO CHECK AGITATOR



Base Belt Guard

Turn the vacuum over to check for worn brushes. When brushes are worn to the level of the base belt guard, replace the agitator.

AGITATOR ASSEMBLY



TROUBLESHOOTING

Review this chart to find do-it-yourself solutions for minor performance problems. Any service needed, other than those described in this owner's manual, should be performed at a Sears service center.



WARNING Electrical Shock Hazard

Disconnect electrical supply before servicing or cleaning the unit. Failure to do so could result in electrical shock or personal injury.

PROBLEM	POSSIBLE CAUSE	POSSIBLE SOLUTION
Cleaner won't run.	<ol style="list-style-type: none"> 1. Unplugged at wall outlet 2. Tripped circuit breaker/blown fuse at household service panel. 3. On/off switch not turned on. 4. Thermal protector tripped 	<ol style="list-style-type: none"> 1. Plug in firmly, push on/off switch to on. 2. Reset circuit breaker or replace fuse. 3. Push on/off switch to on 4. Reset thermal protector, (page 11)
Poor job of dirt pick-up.	<ol style="list-style-type: none"> 1. Full or clogged dust bin. 2. Wrong pile height setting 3. Worn agitator 4. Clogged nozzle or dust bin port 5. Clogged hose. 6. Hole in hose 7. Broken/misplaced belt. 8. Hose not inserted fully 9. Motor protection system activated 10. Dirty filters. 	<ol style="list-style-type: none"> 1. Clean dust bin, (pages 13, 14) 2. Adjust setting, (page 7). 3. Replace agitator, (page 20) 4. Check CLOG REMOVAL, (page 18). 5. Check for clogs, (page 18) 6. Replace hose 7. Replace/fix belt, (pages 16, 17) 8. Insert hose fully, (page 6) 9. Check for clogs, (page 18) 10. Clean/change filters, (page 15)
Cleaner picks up moveable rugs or pushes too hard.	<ol style="list-style-type: none"> 1. Wrong pile height setting 	<ol style="list-style-type: none"> 1. Adjust setting, (page 7).
Light won't work.	<ol style="list-style-type: none"> 1. Burned out light bulb. 	<ol style="list-style-type: none"> 1. Change light bulb, (page 19).
Agitator does not turn.	<ol style="list-style-type: none"> 1. Broken belt 	<ol style="list-style-type: none"> 1. Replace belt, (pages 16, 17).
Performance indicator, some models, is red.	<ol style="list-style-type: none"> 1. Full or clogged dust bin 2. Dirty filters 3. Clogged airflow passage 4. Certain attachment tools. 	<ol style="list-style-type: none"> 1. Clean dust bin, (pages 13, 14) 2. Clean/change filters, (page 15) 3. Clear clog from airflow passage, (page 18) 4. This is normal. Light should go off when tool is removed.
Air flow restricted with attachment use. Sound changes.	<ol style="list-style-type: none"> 1. Attachment use restricts air flow 2. New carpet fuzz clogged air path 	<ol style="list-style-type: none"> 1. Check ATTACHMENTS, (page 9). 2. Check CLOG REMOVAL and clean hose, (page 18)

TABLA DE CONTENIDO

Antes de usar su aspiradora nueva	2	Cuidado de la aspiradora	11
Garantía de la aspiradora de Kenmore	2	Almacenamiento de la aspiradora	11
Instrucciones importantes de seguridad	3	Limpieza del exterior y de los accesorios	11
Piezas y características	4	Limpiando el cubo de la basura	12-13
Instrucciones de ensamblamiento	5-6	Limpieza del filtro secundario	13
Instrucciones de operación	6	Cambio/limpie del filtros	14
Ajuste y selección de nivel de pelo de la alfombra	6	Cambio de la correa y limpieza del agitador	15-16
Desprendimiento del mango	7	Cómo eliminar los residuos de basura en los conductos	17
Interruptor de encendido/apagado	7	Cambio de la bombilla	18
Accesorios	8-9	Cuidado del agitador	19
Cuadro de uso de los accesorios	9	Ensamble del agitador	19
Sugerencias para aspirar	10	Reconocimiento de problemas	20
Características de rendimiento	10	Información de asistencia o servicio	(back page)

ANTES DE USAR SU ASPIRADORA NUEVA

Por favor lea esta guía que le ayudara a ensamblar y operar su aspiradora nueva de Kenmore en una manera más segura y efectiva.

Para mas información acerca del cuidado y operación de esta aspirador, llame a su tienda Sears mas cercana. Cuando preunte por información usted necisitará el número completo de serie y modelo de la aspiradora que está locado en la placa de los números de modelo y serie.

Use el espacio de abajo para registrar el número de modelo y serie para su nueva aspiradora de Kenmore.

Número de Modelo _____

Número de Serie _____

Fecha de Compra _____

Matenga este libro y su recibo en u lugar seguro para referencias futuras.

GARANTIA DE LA ASPIRADORA DE KENMORE

GARANTÍA LIMITADA DE UN AÑO DE LA ASPIRADORA KENMORE

Esta garantía es por un año desde la fecha de compra, e incluye solamente el uso de la aspiradora en hogares privados. Durante el año de garantía, cuando la aspiradora es operada y mantenida de acuerdo al manual de instrucciones del dueño, Sears reparará cualquier defecto en materiales o fabricación libre de cargo

Esta garantía excluye las bolsas de colección, correas, lamparillas, y filtros, las cuales son partes gastables que se deterioran con el uso normal

Para el servicio de garantía, retorne esta aspiradora al Centro de Servicio Sears más cercano en los Estados Unidos.

Esta garantía se aplica solamente mientras este producto está en uso en los Estados Unidos. Esta garantía le da a usted derechos legales específicos, y usted puede tener también otros derechos los cuales varían de estado a estado.

Sears, Roebuck and Co., D/817 WA, Hoffman Estates, IL 60179

INSTRUCCIONES IMPORTANTES DE SEGURIDAD



ADVERTENCIA

Su seguridad es muy importante para nosotros. Para reducir el riesgo de incendio, choque eléctrico, lesión corporal o daños al utilizar su aspiradora, actúe de acuerdo con precauciones básicas de seguridad, entre ellas:

Lea este manual antes de armar o utilizar su aspiradora.

Use su aspiradora únicamente en la forma descrita en este manual. Use únicamente con accesorios recomendados por Sears.

Para reducir el riesgo de choque eléctrico, no use su aspiradora al aire libre ni sobre superficies mojadas.

Desconecte la fuente de electricidad antes de dar servicio o limpiar. De lo contrario podría causar un choque eléctrico o lesión corporal.

Siempre debe apagar su aspiradora antes de desconectarla.

No desconecte la aspiradora tirando del cordón eléctrico. Para desconectarla, hale el enchufe, no el cordón.

No use la aspiradora si el cordón o el enchufe está dañado. Si la aspiradora no está funcionando adecuadamente o si se ha dejado caer, está dañada, se ha dejado expuesta a la intemperie o se ha dejado caer en agua, devuélvala a un Centro de servicio de Sears.

No hale ni transporte la aspiradora por el cordón; no use el cordón como mango; no cierre puertas sobre el cordón; no hale el cordón sobre rebordes agudos ni esquinas. No pase la aspiradora sobre el cordón. Mantenga el cordón alejado de superficies calientes.

No abandone la aspiradora cuando esté conectada. Desconéctela cuando no la esté usando y antes de darle servicio.

No permita que sea utilizada como juguete. Se requiere tener mayor cuidado cuando sea utilizada en la proximidad de niños o por niños.

No toque la aspiradora ni el enchufe con las manos mojadas.

No coloque objetos en las aberturas.

No utilice la aspiradora si alguna abertura está bloqueada; manténgala libre de polvo, pelusa, cabellos y cualquiera cosa que podría disminuir el flujo de aire.

Mantenga el cabello, ropa suelta, dedos y todas las partes del cuerpo alejados de las aberturas y piezas mecánicas.

No use la aspiradora sin tener instalada la cubo de la basura y/o los filtros.

Limpie siempre el cubo de la basura después de aspirar de la alfombra, limpiadores o refrescantes, polvos y depósitos finos. Estos productos tapan los filtros, reducen el flujo de aire y pueden causar daño a la limpiadora.

No use la aspiradora para levantar objetos agudos, juguetes pequeños, alfileres, sujetapapeles, etc. Podrían dañar la aspiradora o la cubo de la basura.

No levante ninguna cosa que se esté quemando o emitiendo humo, como cigarrillos, cerillos o cenizas calientes.

No use la aspiradora para aspirar líquidos inflamables o combustibles (gasolina, líquidos para limpieza, perfumes, etc.) ni la use en lugares donde éstos podrían estar presentes. Los vapores de estas sustancias pueden crear un peligro de incendio o explosión.

Tenga cuidado especial al utilizar la aspiradora en escalones. No la coloque sobre sillas, mesas, etc. Manténgala en el piso.

Usted es responsable de asegurar que su aspiradora no sea utilizada por ninguna persona que no pueda manejarla correctamente.

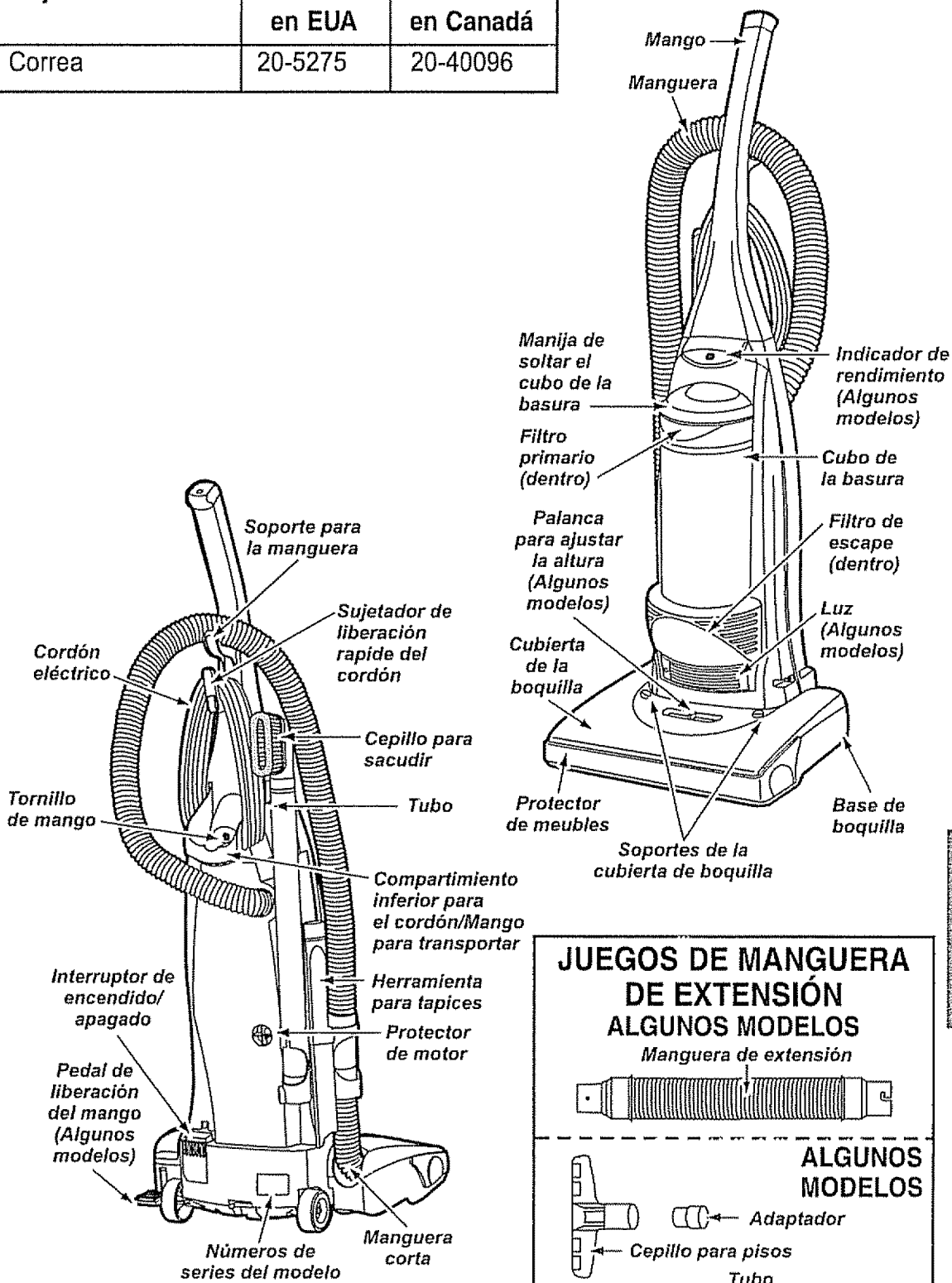
GUARDE ESTAS INSTRUCCIONES

El armado y uso seguro de su aspiradora son su responsabilidad. Esta aspiradora ha sido diseñada exclusivamente para uso doméstico. La aspiradora deberá almacenarse en un lugar seco y en el interior. Lea este Manual del propietario detenidamente, pues contiene información importante sobre seguridad y uso. Esta guía contiene información sobre seguridad debajo de símbolos de advertencia y cuidado. Por favor ponga atención especial a estas instrucciones dadas. **Advertencia:** Esta información le alertará con el peligro de fuego, choques eléctricos, quemaduras y lesiones. **Cuidado:** Esta información le alertará a peligros como lesiones y daños de propiedad.

PIEZAS Y CARACTERÍSTICAS

Es importante conocer las piezas y características de su aspiradora para asegurar su uso adecuado y seguro. Examine las antes de usar su aspiradora.

Objeto	Pieza N° en EUA	Pieza N° en Canadá
Correa	20-5275	20-40096



ESPAÑOL

INSTRUCCIONES DE ENSAMBLAMIENTO

Antes de armar la aspiradora, chequee la LISTA DE EMBALAJE en la cubierta separada de la Lista de Partes para Reparación. Use esta lista para verificar que ha recibido todas las componentes de su nueva aspiradora Kenmore.



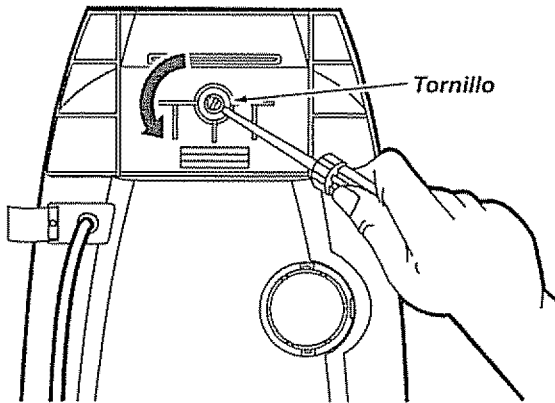
ADVERTENCIA

Peligro de choque eléctrico

No conecte la aspiradora hasta que termine de armarla. De lo contrario podría causar un choque eléctrico o lesión corporal.

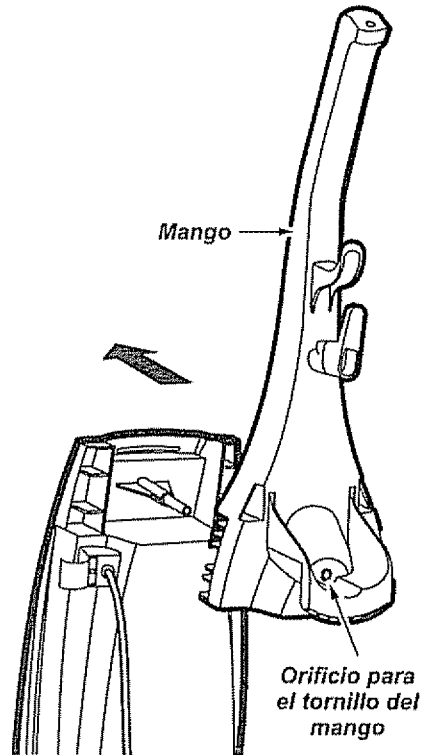
MONTAJE DEL MANGO

Quite el tornillo del mango localizado justo debajo del borde superior de la parte posterior de la aspiradora, ver ilustración de arriba.

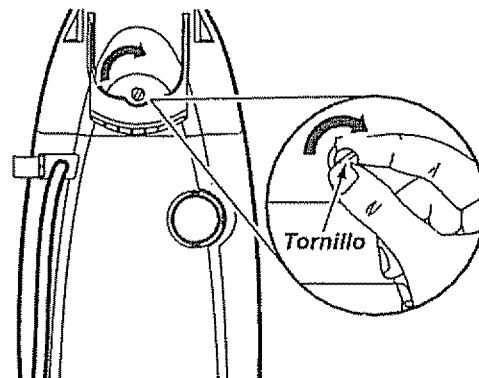


Coloque el mango como se ve en el diagrama abajo.

Al mantener la manguera de manera que no interfiera, mueva el mango a la abertura en la parte superior de la aspiradora



Inserte el tornillo para que pase por el mango de la aspiradora.



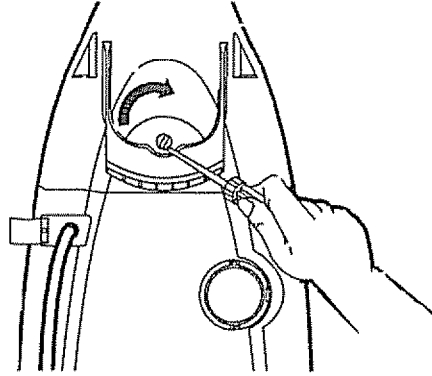
Empiece a apretar el tornillo con los dedos. Quizá sea necesario ajustar un poco el mango.



CUIDADO

No apriete demasiado el tornillo.
Si lo aprieta demasiado podría arruinar los orificios para el tornillo.
No opere la aspiradora sin tener instalado el tornillo.

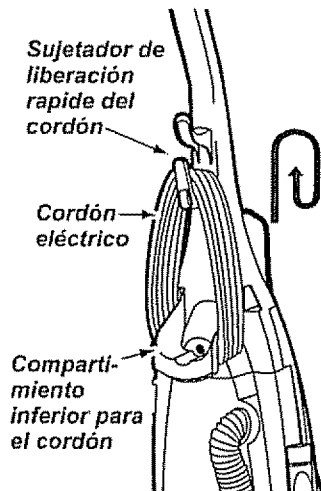
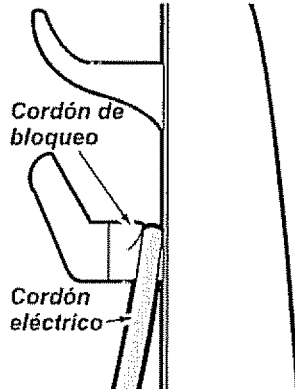
Apriete el tornillo con un destornillador.



COLOCACIÓN DEL CORDÓN

Asegúrese de que el sujetador superior del cordón de liberación rápida se encuentre en posición vertical. Quite el alambre con el que está atado el cordón eléctrico.

Fije el cordón en posición, forzándolo en la ranura de bloqueo ubicada en el cuerpo del sujetador de liberación rápida del cordón, como se muestra. Esto ayuda a que el cordón no se enrede debajo del agitador de la aspiradora.

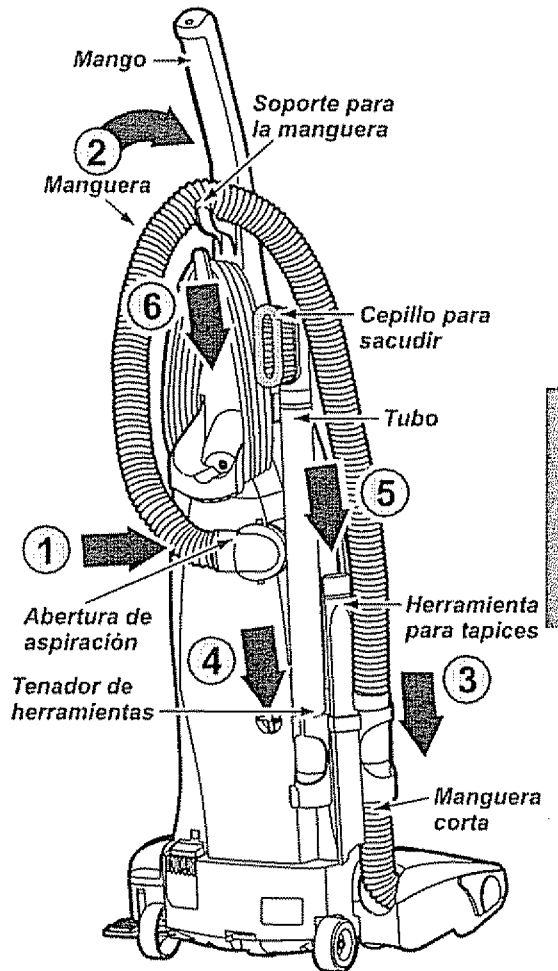


Al mantener el cordón eléctrico de una manera que no interfiera, ponga el cordón eléctrico alrededor del sujetador de liberación rápida del cordón y alrededor del Compartimiento inferior para el cordón y luego cierre el enchufe del cordón eléctrico en el cordón eléctrico.

COLOCACIÓN DE LOS ACCESORIOS

Una vez que haya colocado el mango en la unidad, y el cordón haya sido enrollado en los sujetadores, podrá proceder a colocar los accesorios en sus respectivos receptáculos.

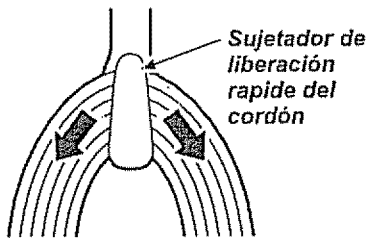
1. Cierre el fin para aspiración de la manguera en la parte trasera de la aspiradora.
2. Coloque la manguera detrás del mango y encima del soporte de manguera.
3. Coloque la manguera en la ranura delantera en el soporte de herramientas, girando y empujando hacia abajo hacia la manguera corta para asegurar una conexión buena.
4. Coloque el tubo de extensión en la ranura trasera en el soporte de herramientas.
5. Mueva la herramienta para hendiduras hacia la ranura al lado del tubo.
6. Conecte el cepillo de polvo o el cepillo de usos múltiples con el tubo con los cepillos hacia arriba.



ESPAÑOL

INSTRUCCIONES DE OPERACIÓN

PARA COMENZAR



1. Gire el sujetador del cordón de lado a lado y hacia abajo para liberar el cordón eléctrico.

2. Desprenda el enchufe del cordón eléctrico y quite el cordón del sujetador superior. Compruebe que el cordón eléctrico sigue fijado en la ranura de bloqueo del sujetador superior.

NOTA: Para reducir el riesgo de choque eléctrico, esta aspiradora cuenta con una clavija polarizada, uno de los contactos es más ancho que el otro. La clavija sólo puede introducirse de una manera en el enchufe. Si la clavija no cabe bien en el enchufe, invíértala. Si aún no cabe, llame a un electricista para que instale un enchufe correcto. No altere la clavija de ninguna manera.



ADVERTENCIA

Peligro de lesión personal y daño al producto

- NO conecte la aspiradora si el interruptor está en la posición ON. Podría resultar en lesión personal o daño.
- NO use los enchufes localizados sobre los muebles. Los objetos cercanos podrían resultar dañados.

3. Conecte el cordón eléctrico polarizado en un enchufe de 120 voltios que se encuentre cerca del piso

AJUSTE Y SELECCIÓN DE NIVEL DE PELO DE LA ALFOMBRA

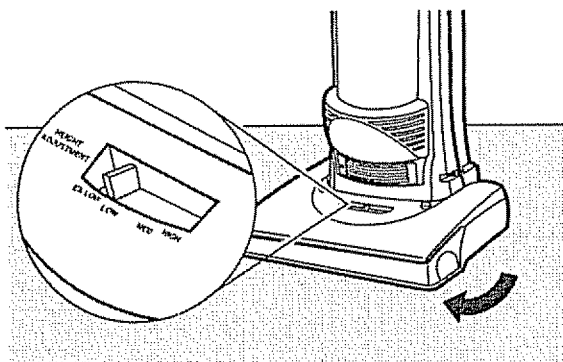
ALGUNOS MODELOS

Para seleccionar un ajuste de nivel de pelo de la alfombra:

Apague la aspiradora. Seleccione un nivel de ajuste inclinando la aspiradora hacia atrás hasta que las ruedas delanteras estén un poco despegadas del piso.

Deslice la palanca de ajuste de nivel de pelo de la alfombra a la posición deseada.

Los modelos sin selector ajustan automáticamente para el peluso de alfombra de varias alturas.



SUGERENCIAS DE AJUSTE DE NIVEL DE PELO ALFOMBRA

Para que se le faciliten algunas tareas de limpieza, como por ejemplo tapetes auellos y alfombras de pelo largo, puede que sea necesario elevar el ajuste de nivel de pelo de la alfombra. Los ajustes sugeridos son los siguientes.

Los modelos de dos (2) posiciones:

HIGH: pelo corto o mediano.

LOW: pelo mediano o poco largo.

Los modelos de cuatro (4) posiciones:

HIGH: pelo áspero y lanudo, pelo largo, felpa, alfombras o tapetes irregulares.

MED: pelo mediano o poco largo.

LOW: pelo corto o mediano.

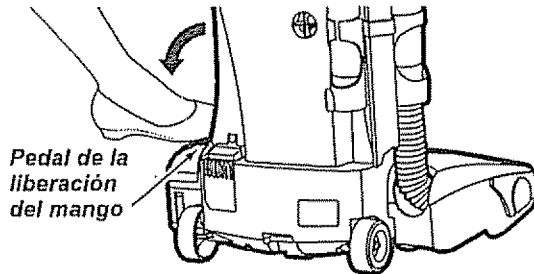
EX LOW: pelo muy corto.

Ponga la unidad en "HIGH" cuando utilice los accesorios para prevenir posibles daños al piso.

Atención: Se requiere el cuidado especial cuando pasa la aspiradora sobre ciertas clases de alfombra o cubierta de piso. Siempre revise las instrucciones de la limpieza recomendada de fabricante para la alfombra o la cubierta de piso antes de pasar la aspiradora.

DESPRENDIMIENTO DEL MANGO

Suelte el mango por pisar en el pedal de liberación y tirarlo hacia atrás hasta que libere de su posición vertical



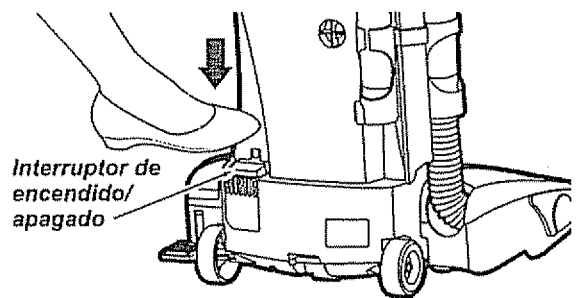
ALGUNOS MODELOS

Suelte el mango por apretar hacia abajo con el pie en el pedal de liberación y tirar del mango hacia atrás y hacia abajo con la mano.



INTERRUPTOR DE ENCENDIDO/APAGADO

Para encender la aspiradora, pise en el control de ON/OFF colocado en la parte trasera de la aspiradora. Para apagar la aspiradora, pise en el control otra vez



ACCESORIOS



ADVERTENCIA

Peligro de choque eléctrico o lesión corporal

No ponga las manos o los pies debajo de la máquina cuando añada la manguera. Mientras se usan los accesorios, la agitador empieza a girar. No deje que la aspiradora se quede en un sólo lugar por un periodo extendido, porque la agitador puede hacer daño a la superficie del suelo. No ponga la aspiradora encima de muebles, en el fleco de la alfombra, en una alfombra de pelo largo, ni en escaleras alfombradas. La posición ideal para la aspiradora cuando se usan los accesorios está en un área plana con el mango en la posición vertical.

COMO UTILIZAR LOS ACCESORIOS

Coloque la aspiradora en una superficie plana y ponga el graduador de altura en HIGH.

Los accesorios podrán colocarse en la manguera o en el tubo. Además, el cepillo para polvo también podrá colocarse en la boquilla para huecos reducidos.

La manguera y el tubo pueden sacarse de la manguera corta tomándolos por el extremo y tirando hacia arriba.



CUIDADO

NO tire de la aspiradora por la manguera en la habitación. Podrían ocurrir daños a sus pertenencias.

Los accesorios se pueden conectar a la manguera si el objeto que se desea limpiar no está lejos de la aspiradora. La manguera, en algunos modelos, se expandirá.

NOTA: Cuando la aspiradora esté prendida, la manguera, en algunos modelos, tenderá a caerse debido a la succión de la aspiradora.

Si desea más extensión, puede conectar el tubo a la manguera y los accesorios al tubo.

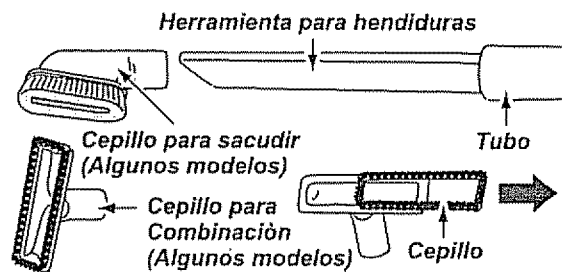


CUIDADO

Al utilizar los accesorios para limpiar, tenga cuidado de no sobrepasar el alcance de la manguera. Si lo hace, podría ocasionar que la aspiradora se caiga.

ALGUNOS MODELOS

Se incluye un tubo extra, sin pestañas, para un mayor alcance. El tubo extra se puede conectar al tubo con pestañas para lograr un mayor alcance. Introduzca el tubo y déle un cuarto de vuelta para asegurarlo.



Si utiliza el cepillo para polvo/cepillo para combinación y necesita más alcance, puede conectar la boquilla para huecos reducidos al tubo y el cepillo para polvo/cepillo para combinación en la boquilla para huecos reducidos.

ALMACENAJE DE LOS ACCESORIOS

Devuelva la manguera a su lugar en la manguera corta y las herramientas a su soporte.



CUIDADO

Asegúrese de limpiar los accesorios después de utilizarlos en áreas sucias, debajo del refrigerador, antes de usarlos en otras superficies, ya que podrían dejar marcas.

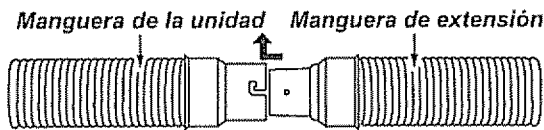


CUIDADO

Cuando use la manguera en forma normal o con la manguera de extensión instalada, la aspiradora debe mantenerse sobre una superficie firme al mismo nivel o a un nivel inferior que los pies del usuario. NO use las mangueras cuando la aspiradora esté a un nivel más alto que los pies del usuario.

MANGUERA DE EXTENSIÓN ALGUNOS MODELOS

Unos modelos incluyen una manguera auxiliar que conecta con la manguera de estirar en la aspiradora para una extensión más larga para limpiar.

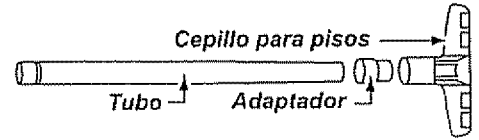


Inserte las dos lengüetas en el extremo de la manguera de extensión en las dos ranuras formadas como la letra J en la aspiradora y gire para conectar.





Se puede conectar todas las herramientas y el tubo con el extremo abierto de la manguera

CEPILLO PARA PISOS Y TUBO ALGUNOS MODELOS

Unos modelos tienen un cepillo y un tubo auxiliares para limpiar los suelos sin alfombras. Gire el extremo del adaptador hacia el cepillo de suelo y el otro extremo hacia el tubo recto. Conecte el tubo recto con el tubo telescópico y luego con la manguera en la aspiradora o con la manguera de extensión.



CUADRO DE USO DE LOS ACCESORIOS

ACCESORIO	ÁREA A LIMPIAR				
	Muebles*	Entre cojines*	Cortinas*	Escalones	Paredes
CEPILLO PARA SACUDIR 	X		X	X	X
HERRAMIENTA PARA HENDIDURAS 	X	X		X	
CEPILLO PARA COMBINACION 	X		X	X	
Handi-Mate® Jr. 	X			X	

La válvula de desviación puede estar abierta mientras se usan los accesorios o para limpiar una alfombra nueva a causa de un flujo reducido de aire por los accesorios mismos o por la pelusa de la alfombra que llene la bolsa rápidamente.

* Siempre limpie los accesorios antes de usar sobre telas.

SUGERENCIAS PARA ASPIRAR



ADVERTENCIA

Peligro de lesión personal

Actúe con precaución si coloca la aspiradora sobre escalones. Si se cae, podría causar lesión personal o daño a la propiedad.

Orillas de alfombras.

Guíe uno de los costados o la parte anterior de la boquilla a lo largo del borde de la pared. Los cepillos largos ayudan a aspirar la tierra atrapada en las orillas de las alfombras.

Escalones.

Coloque el mango en la posición vertical. Use la herramienta para hendiduras o el cepillo para sacudir. Coloque el interruptor de encendido/apagado en ON.

CARACTERÍSTICAS DE RENDIMIENTO

SISTEMA DE PROTECCIÓN DE MOTOR

Protector Termal

Esta aspiradora tiene un protector termal que se ajusta automáticamente para proteger a la aspiradora del sobrecalentamiento. Si una obstrucción impide el flujo normal de aire al motor, el protector termal apaga el motor automáticamente para permitir que el motor se enfríe a fin de evitar posibles daños a la aspiradora. Durante este tiempo la luz delantera se mantiene prendida.

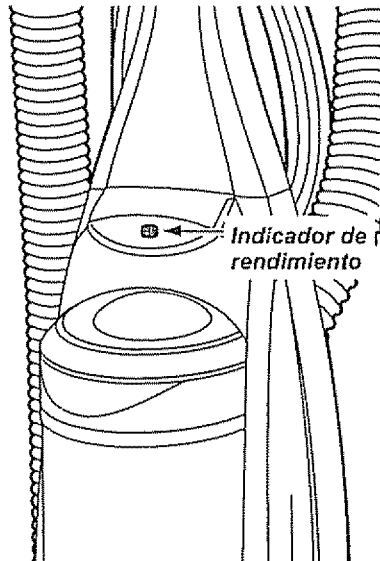
Para corregir el problema: Si esto ocurre, apague la aspiradora y desenchufe el cordón del tomacorriente para permitir que la aspiradora se enfríe y que el protector termal se reajuste. **Busque y saque las obstrucciones, si es necesario. Examine también y reemplace/limpie cualquier filtro obstruido. Espere aproximadamente treinta (30) minutos y enchufe la aspiradora y voltéela para ver si el protector del motor se ha reajustado. El protector del motor no se reajustará si no se ha apagado la aspiradora aun cuando la aspiradora se haya enfriado.**

INDICADOR DE RENDIMIENTO ALGUNOS MODELOS

Cuando la unidad esté funcionando con el flujo normal de aire, el indicador de rendimiento está apagado. Se enciende la luz cuando el flujo de aire esté obstruido. Si eso ocurre, chequee el cubo de la basura, limpie/reemplace filtros tapados, y chequee otros lugares posibles de atascaduras que se muestran en **COMO ELIMINAR LOS RESIDUOS DE BASURA EN LOS CONDUCTOS.**

Para corregir el problema: Véase el diagrama RECONOCIMIENTO DE PROBLEMAS.

NOTA: Es posible que la luz encienda al usar los accesorios porque el flujo de aire es reducido por los accesorios.



CUIDADO DE LA ASPIRADORA

Siga siempre todas las instrucciones de seguridad al limpiar y darle servicio a su aspiradora.



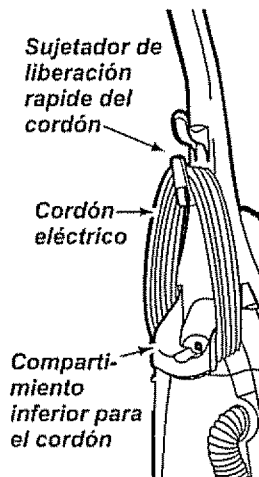
ADVERTENCIA

Peligro de choque eléctrico o lesión corporal

Desconecte la unidad antes de limpiarla o darle servicio. De lo contrario podría producirse un choque eléctrico o causar lesión corporal si la aspiradora arranca de manera imprevista.

ALMACENAMIENTO DE LA ASPIRADORA

Recoja el cordón eléctrico y póngalo sueltamente alrededor del soporte de liberación rápida y alrededor del soporte inferior para el cordón.



Guarde la aspiradora bajo techo en un lugar seco, con el mango en posición vertical.



ADVERTENCIA

Peligro de choque eléctrico o lesión corporal
Si enrolla el cordón muy apretado puede tensarlo mucho y causarle daños. De dañarse, el cordón podría causar descargas eléctricas y lesiones o daños personales.

LIMPIEZA DEL EXTERIOR Y DE LOS ACCESORIOS

Desconecte el cordón eléctrico de la clavija de la pared. **NO choree agua sobre la aspiradora.**

Limpie el exterior con un trapo suave y limpio, que ha sido exprimido después de remojar en una solución de agua y detergente líquido ligero. Seque el exterior con un trapo seco después de limpiar.

Limpie la superficie exterior del receptáculo y de los accesorios para reducir la electricidad estática y la acumulación de polvo.

Lave los accesorios en agua tibia jabonosa, enjuague y deje secar al aire. **No los lave en lavadora de platos.**



CUIDADO

No use los accesorios si están mojados. Los accesorios que se utilicen en áreas sucias, debajo del refrigerador, no deben usarse en otras superficies sin antes ser lavados. Podrían dejar marcas.

LIMPIANDO EL CUBO DE LA BASURA

Siempre vacíe el cubo de la basura cuando el nivel de basura alcanza la línea "MAX FILL."

PARA SACAR EL CUBO DE LA BASURA:



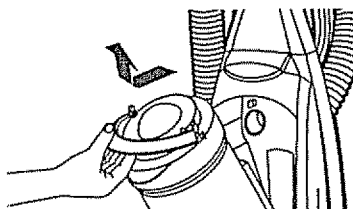
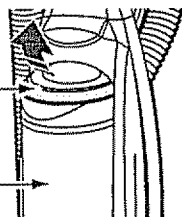
ADVERTENCIA

Siempre desconecte el cordón eléctrico antes de reparar alguna parte de la aspiradora.

Levante la manija del cubo de la basura ubicada al tope del cubo de la basura.

Manija de soltar el cubo de la basura

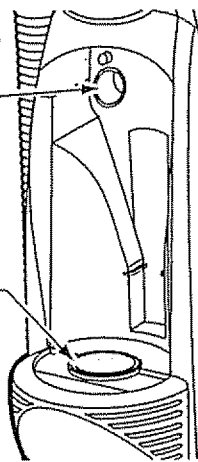
Cubo de la basura



Tire de la manija hacia adelante y levante el cubo de la basura hacia arriba y afuera de la aspiradora.

Portillo del cubo de la basura

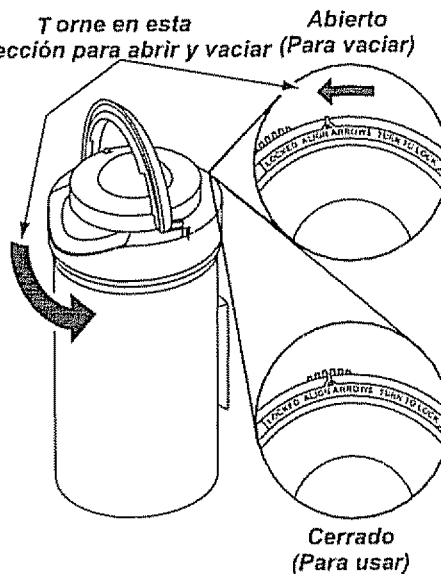
Filtro secundario



Remueva cualquier obstáculo que pueda estar localizado en la entrada del cubo de la basura o en el filtro secundario.

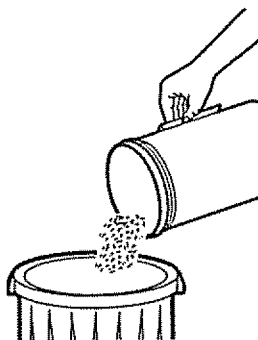
PARA VACIAR EL CUBO DE LA BASURA:

Torne en esta dirección para abrir y vaciar (Para vaciar)



Cerrado (Para usar)

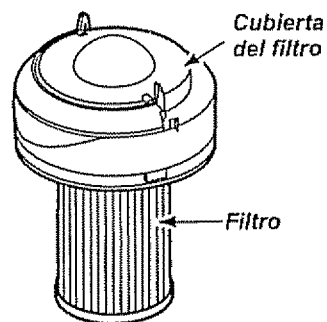
Rote el montaje de la tapa del canasto de basura contra las agujas del reloj como está indicado en la tapa y levántela hacia afuera.



Vacíe el contenido del cubo de la basura adentro del tarro de basura

PARA LIMPIAR EL PRE-FILTRO

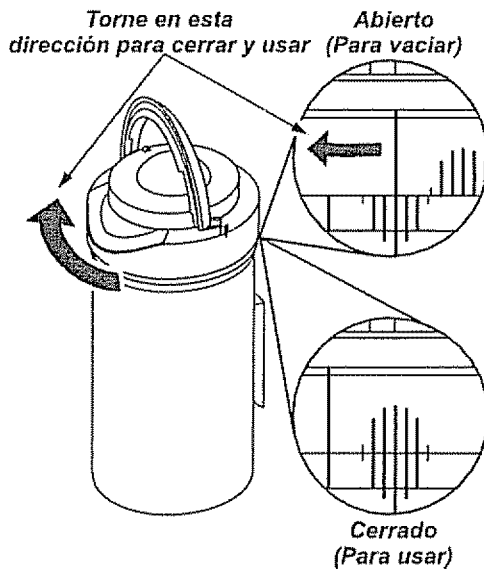
El filtro puede limpiarse golpeándolo sobre una superficie firme o enjuagándolo bajo una llave de agua. Enjuagar con agua solamente, no utilizar detergente o jabón. Dejar que el filtro se seque por 24 horas antes de poner de regreso en la aspiradora.



Cubierta del filtro

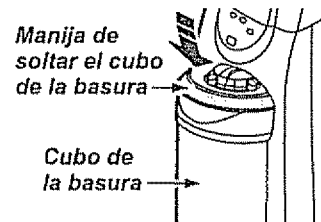
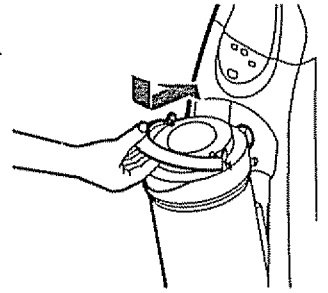
Filtro

PARA REEMPLAZAR EL CUBO DE LA BASURA



Coloque la tapa del canasto de basura sobre el canasto de basura. Alinee las marcas como se muestra bajo **Abierto (Para Vaciar)**. Rote la tapa en sentido de las agujas del reloj presionando hacia abajo hasta alinear las marcas como se muestra arriba de **Cerrado (Para Usar)**.

Ponga el cubo de la basura de vuelta adentro de la aspiradora insertando el fondo primero e inclinándolo atrás con la manija del cubo de la basura levantada.



Baje la manija del cubo de la basura para ajustar el cubo de la basura en su lugar

LIMPIEZA DEL FILTRO SECUNDARIO

Examine el secondary filter del motor de vez en cuando y limpie cuando esté sucio.



ADVERTENCIA

Peligro de choque eléctrico

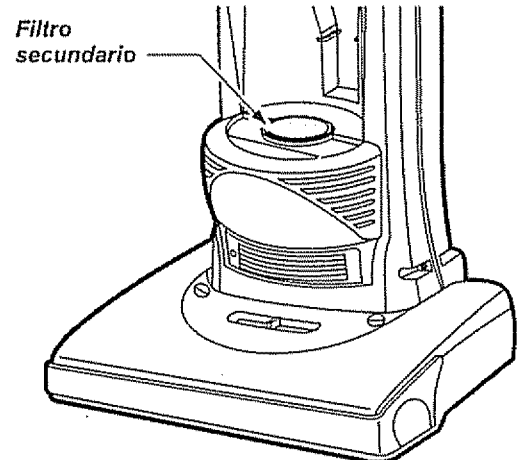
No opere la aspiradora sin el filtro de seguridad del motor. Asegúrese de que el filtro esté seco e instalado adecuadamente para impedir que el motor falle y/o que se produzca un choque eléctrico.

Siempre desconecte el cordón eléctrico antes de reparar alguna parte de la aspiradora.

FILTRO SECUNDARIO ESPUMO

Remueva el cubo de la basura como se describe en la sección LIMPIANDO EL CUBO DE LA BASURA.

Remueva el filtro secundario de la aspiradora de polvo.



Lave el filtro secundario con agua caliente y jabón, enjuáguelo y séquelo bien apretándolo con la mano y dejando que se seque al aire libre.

NO lo lave en la lavadora de platos.

NO lo instale húmedo.

Reemplace filtrosecundario seco. Asegure que el filtro está instalado propiamente sobre la abertura del filtro.

Reemplace el cubo de la basura como se describe en la sección LIMPIANDO EL CUBO DE LA BASURA.

ESPAÑOL

CAMBIO/LIMPIE DES FILTROS



ADVERTENCIA

Peligro de choque eléctrico

Desenchufe el cable de poder del tomacorriente. No opere la limpiadora sin el filtro primario o el filtro de escape. Esté seguro que el filtro esté instalado propiamente para prevenir falla del motor y/o sacudida eléctrica.

FILTRO PRIMARIO

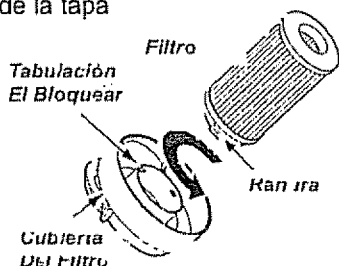
Examine el filtro primario de vez en cuando y limpie cuando esté sucio.

PARA SACAR EL FILTRO PRIMARIO

Saque el montaje de la tapa

del canasto de basura como se muestra en la sección

LIMPIEZA DEL CANASTO DE BASURA CLEANING section.



Mientras mantiene el filtro primario sobre un recipiente de basura tome el filtro, rótele y levántelo.

Limpie el filtro primario golpeándolo suavemente sobre un recipiente de basura.

Golpee en varios lados para asegurar la mejor limpieza.

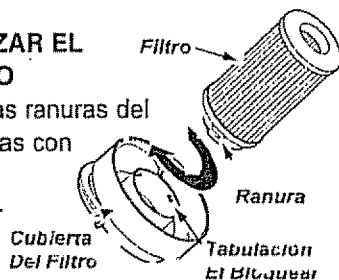
Enjuague con agua solamente como sea necesario (ver Limpieza del Canasto de Basura).

Cuando limpiando el filtro no se reestablece la succión de vacío a su poder total, usted necesita reemplazar el filtro.

PARA REEMPLAZAR EL FILTRO PRIMARIO

Esté seguro que las ranuras del filtro están alineadas con las lengüetas de cierre en la cubierta del filtro.

Reemplace el filtro y hágalo rotar hasta que las ranuras calzan con las lengüetas en la cubierta.



Nota: Bajo uso normal y cuidado, su filtro puede durar hasta 3 años.

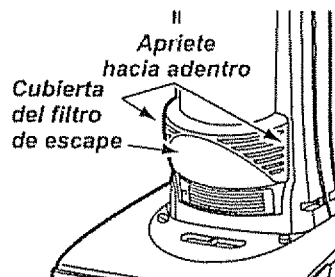
Reajuste la cubierta del filtro y el filtro al canasto

FILTRO DE ESCAPE

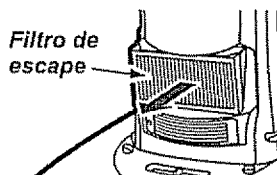
Este cartucho del filtro escape se tiene que cambiar esté sucio. Debe cambiarse periódicamente según las condiciones de uso.

El filtro no se puede lavar pues perdería su capacidad para atrapar polvo.

Apriete hacia adentro de cada lado de la cubierta del filtro de escape y tire hacia afuera para remover de la aspiradora de polvo.

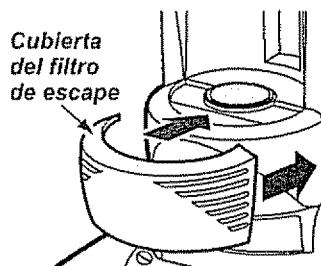
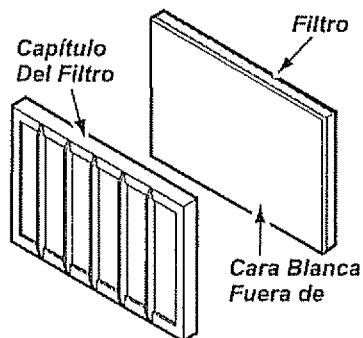


Remueva el cartucho del filtro de escape.



Reemplace el filtro de escape, posicionándolo cuidadosamente para que quepa dentro del marco.

El lado blanco debe encararse hacia el operador.



Empuje únicamente el cartucho de filtro, no el filtro mismo.

Reemplace la cubierta del filtro de escape poniendo las lengüetas en las ranuras y empujando adentro hasta que la cubierta calza en su lugar.

CAMBIO DE LA CORREA Y LIMPIEZA DEL AGITADOR



ADVERTENCIA

Peligro de choque eléctrico o lesión corporal

Desconecte la unidad antes de limpiarla o darle servicio. De lo contrario podría producirse un choque eléctrico o causar lesión corporal si la aspiradora arranca de manera imprevista.

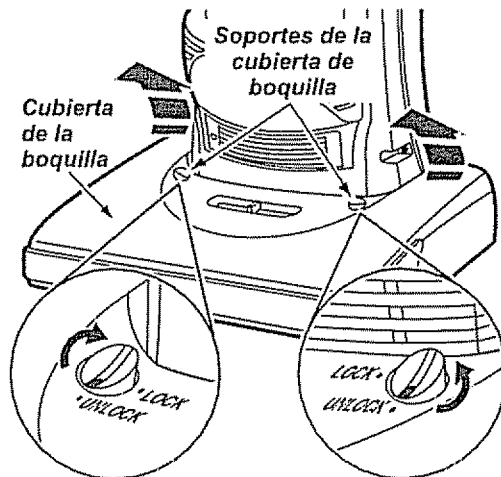
Frecuentemente revise el área del cepillo y quite todo pelo, cordón o pelusa que se haya acumulado. Si la acumulación es excesiva, siga las instrucciones a continuación. Si la correa se aflojara o rompiera, siga las instrucciones para quitar la correa.

PARA QUITAR LA CUBIERTA DE LA BOQUILLA

Desenchufe la unidad de la corriente eléctrica.

Para proteger la superficie del suelo, siempre ponga papel debajo de la boca de la máquina cuando se saca la cubierta de la boquilla.

Libere la cubierta de boquilla por girar los soportes de la cubierta de boquilla a la posición UNLOCK. Agarre ambos lados la parte trasera de la boquilla y levante la cubierta para quitarla de la base de la boquilla.



Cepille o quite cualquier residuo que esté en el área de correas.

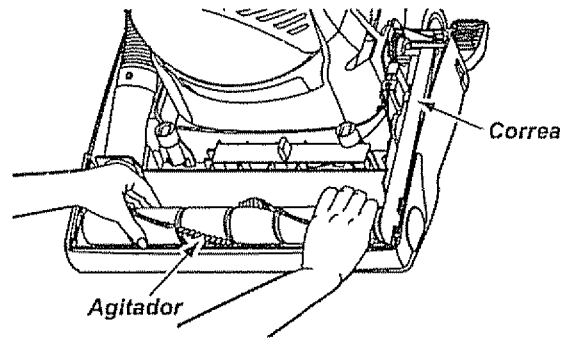


ADVERTENCIA

Peligro de lesión personal

Siempre desenchufe la aspiradora antes de limpiar el área del cepillo, ya que éste podría empezar a funcionar repentinamente. No hacerlo podría resultar en una lesión personal.

PARA QUITAR LA CORREA/ LIMPIAR EL AGITADOR



Coloque las manos en el agitador. Si la correa ya está instalada en el agitador, habrá tensión en el agitador. Tenga cuidado cuando levanta el agitador de la boquilla.

Quite la correa desgastada o rota del eje de transmisión del motor.

Quite toda basura o restos del área que recorre la correa o del área del cepillo cilíndrico.



ADVERTENCIA

Peligro de lesión personal

Tenga cuidado al quitar el cepillo cilíndrico, la tensión de la correa es grande. Si no tiene precaución podría sufrir una lesión personal si el cepillo se libera rápidamente y sale disparado.

Con cuidado quite la agitador para ver si se han acumulado hilos y pelo

NOTA: Para mantener una alta eficiencia de limpieza y evitar el daño a la aspiradora, hay que limpiar el agitador cada vez que se cambia la correa

También hay que limpiar el agitador según el siguiente horario:

El uso de la aspiradora

Frecuente -
(usada diariamente)

Moderado -
(usada 2 o 3 veces por semana)

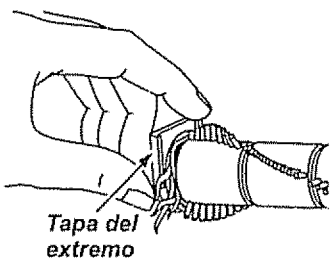
Ligero -
(usada 1 vez por semana)

Limpie el agitador

cada semana

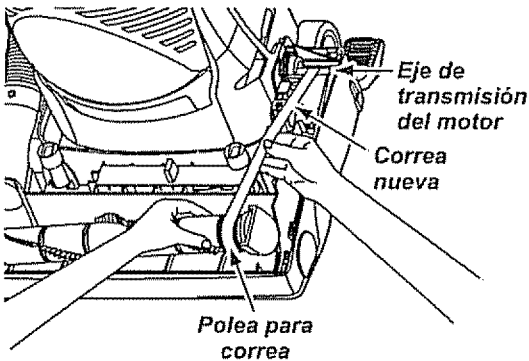
cada mes

cada 2 meses



Corte pelusa, el pelo o la borra enredados en el agitador y quite el hilo o los restos ubicados en las tapas del extremo.

PARA CAMBIAR LA CORREA



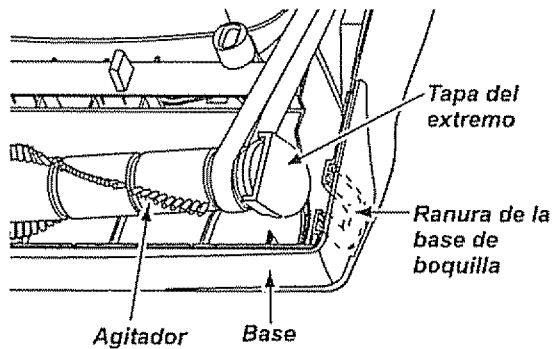
Inserte el lado izquierdo de agitador en la base de la boquilla. Para insertar el agitador, coloque la parte redonda de la tapa del extremo, presionandolo hacia dentro de la ranura de la base de la boquilla.

Coloque la nueva correa alrededor del eje de transmisión de motor.

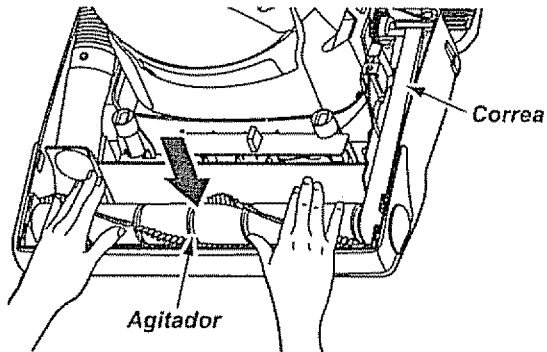
Nota: use correa #20-5275

Inserte la correa alrededor del extremo derecho del agitador.

Tire del agitador y asientelo en la base de la boquilla.

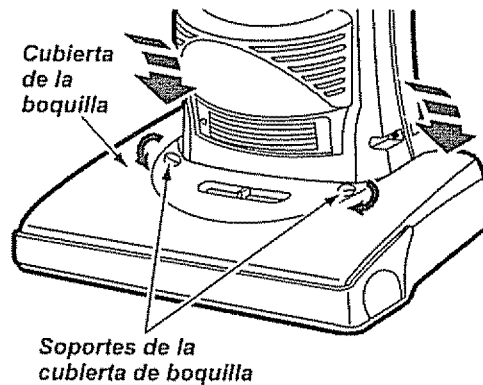


Inserte el agitador por insertar la parte redonda de la tapa en la ranura de la base de la boquilla.



Haga presión firmemente, asegurándose de que hayan entrado bien ambos extremos

Verifique que la correa esté centrada en el polea para correa y que el cepillo cilíndrico gire libremente.



Aségurese de que los soportes de la cubierta de la boquilla estén en la posición UNLOCK. Conecte la parte delantera de cubierta de boquilla con la base de la boquilla y gire hacia abajo. Cuando esté en su lugar apropiado, gire los soportes de la cubierta de la boquilla a la posición LOCK.

CÓMO ELIMINAR LOS RESIDUOS DE BASURA EN LOS CONDUCTOS



ADVERTENCIA

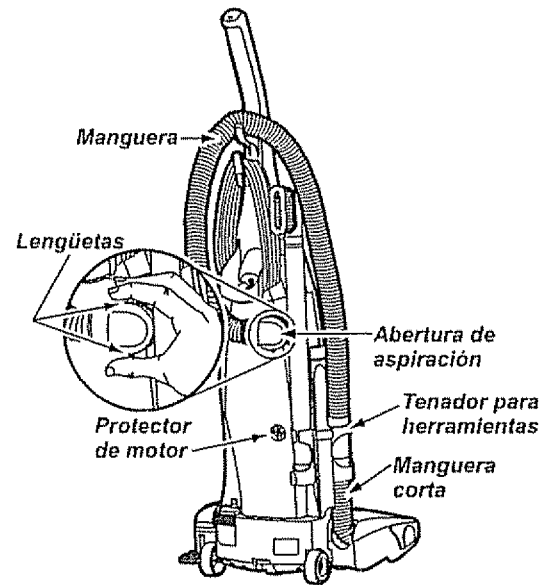
Peligro de choque eléctrico o lesión corporal

Desconecte la unidad antes de limpiarla o darle servicio. De lo contrario podría producirse un choque eléctrico o causar lesión corporal si la aspiradora arranca de manera imprevista.

Proceda siempre con precauciones de seguridad al limpiar y dar servicio la aspiradora.

Si considera que la aspiradora no aspira bien asegúrese primero de que la bolsa no esté llena y de que el filtro no esté atascado. Consulte las instrucciones sobre LIMPIANDO EL CUBO DE LA BASURA y CAMBIO/LIMPIE DES FILTROS.

Si las zonas del filtro y la cubo de la basura no están atascadas, examine la zona de la manguera. Quite la abertura de aspiración por apretar las dos lengüetas que la aseguran a la parte trasera de la aspiradora y revise si hay residuos en el área

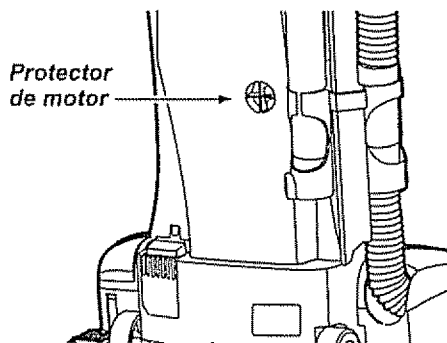


Reemplaza la abertura de aspiración y saque el otro fin de la manguera del soporte de herramientas. Enchufe la aspiradora y enciéndala. Con la aspiradora encendida, estire la manguera para quitar el residuo. Apague la aspiradora y desenchúfela.

Si todavía hay residuos, quite la manguera corta de su soporte y revise la manguera corta.

Quite los residuos visibles.

PROTECTOR DE MOTOR



NOTE: No obstruye el protector de motor.

Esta aspiradora tiene una válvula de desviación que sirve como protector de motor que se abre automáticamente para proveer un flujo de aire al motor cuando un zueco impida que circule el aire al motor. Si se abre la válvula bypass para impedir que se recalente el motor y que no haga daño a la aspiradora, se notará un cambio de sonido mientras el aire pasa por la abertura de la válvula. Cuando ocurre, apague la aspiradora y desenchufe el cordón del tomacorriente. Después, inspecciónela para encontrar zuecos como se describe bajo la sección CÓMO ELIMINAR LOS RESIDUOS DE BASURA EN LOS CONDUCTOS.

La válvula de desviación puede estar abierta mientras se usan los accesorios o para limpiar una alfombra nueva a causa de un flujo reducido de aire por los accesorios mismos o por la pelusa de la alfombra que llene la cubo de la basura rápidamente.

ESPAÑOL

CAMBIO DE LA BOMBILLA

ALGUNOS MODELOS



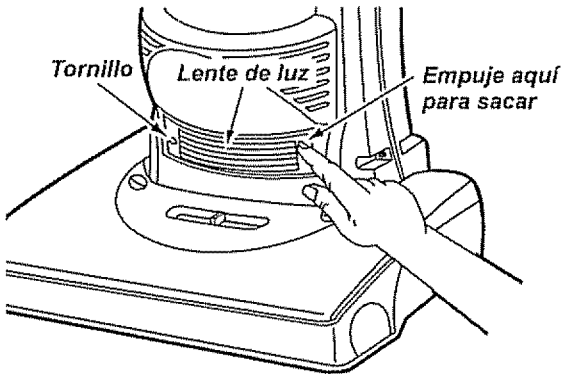
ADVERTENCIA

Peligro de choque eléctrico o lesión corporal

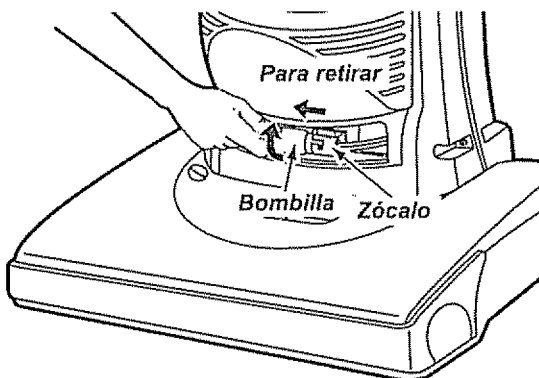
Desconecte la unidad antes de limpiarla o darle servicio. De lo contrario podría producirse un choque eléctrico o causar lesión corporal si la aspiradora arranca de manera imprevista.

Desenchufe la unidad de la corriente eléctrica.

Para alzar la bombilla, quite el tornillo que asegura el lente a la aspiradora. Quite el lente.

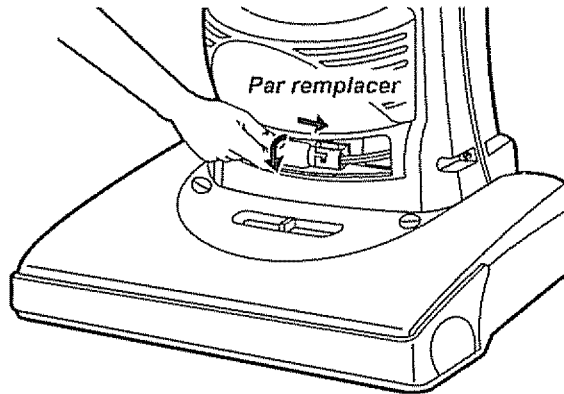


Remueva la bombilla empujandola y valla dandola vuelta para la izquierda para sacarla de la abertura. Después saque la bombilla para afuera.



CUIDADO

No use una ampolleta de más de 130 V AC-15 W. Durante uso extendido, el calor de la ampolleta puede sobrecalentar las partes de plástico cercanas.



Par remplacar la bombilla, cuidadosamente inserte y de vuelta hacia la derecha hasta aseguraria en la abertura.

NOTA: Use bombilla #20-5240



CUIDADO

No la enchufe ni la prenda sino hasta que la haya vuelto a armar por completo.

Coloque otra vez el lente en la aspiradora. Coloque otra vez el tornillo.

CUIDADO DEL AGITADOR



ADVERTENCIA

Peligro de choque eléctrico o lesión corporal

Desconecte la unidad antes de limpiarla o darle servicio. De lo contrario podría producirse un choque eléctrico o causar lesión corporal si la aspiradora arranca de manera imprevista.

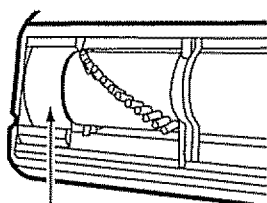
PARA QUITAR EL AGITADOR

Quite la cubierta de la boquilla y el agitador. Véase CAMBIO DE LA CORREA Y LIMPIEZA DEL AGITADOR.

Reemplazca el agitador con un nuevo.

Rearme la correa, el agitador y la cubierta de la boquilla. Véase CAMBIO DE LA CORREA Y LIMPIEZA DEL AGITADOR.

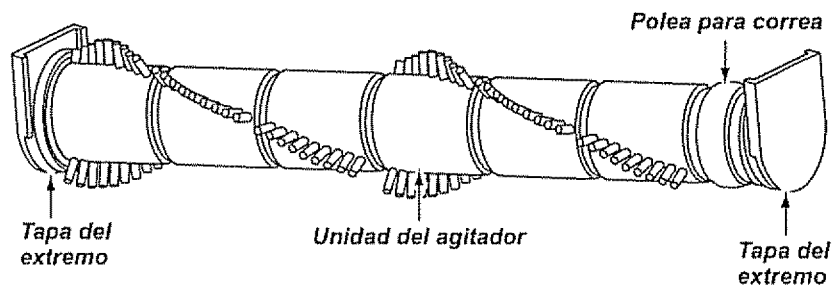
PARA EXAMINAR EL AGITADOR



Protector de la correa de la base

Coloque la aspiradora con la base hacia arriba para revisar si los cepillos estén en malas condiciones. Cuando los cepillos estén gastados al nivel del protector de base, reemplazca el agitador.

ENSAMBLE DEL AGITADOR



RECONOCIMIENTO DE PROBLEMAS

Consulte este cuadro para encontrar soluciones que usted mismo puede realizar cuando tenga problemas menores de rendimiento. Cualquier servicio que necesite aparte de otros descritos en este manual tienen que ser hechos por un representante de servicio autorizado Sears



ADVERTENCIA Peligro de choque eléctrico

Desconecte la aspiradora antes de darle servicio o limpiarla. De lo contrario podría producirse un choque eléctrico o causar lesión corporal.

PROBLEMA	CAUSA POSIBLE	SOLUCIÓN POSIBLE
La aspiradora no funciona.	<ol style="list-style-type: none"> 1. Está desconectada 2. Cortacircuitos botado o fusible quemado en el tablero de servicio de la residencia 3. Interruptor de encendido/apagado no está en la posición ON 4. Protector termal activado. 	<ol style="list-style-type: none"> 1. Conecte bien, oprima selector de encendido/apagado a la posición ON 2. Restablezca el cortacircuitos o cambie el fusible 3. Coloque el interruptor de encendido/apagado en la posición ON. 4. Reajuste el protector termal. (página 10)
No aspira satisfactoriamente.	<ol style="list-style-type: none"> 1. Cubo de la basura lleno o atascado 2. Ajuste incorrecto de nivel de pelo de la alfombra 3. Agitador desgastado 4. Boquilla o portillo de la cubo de la basura atascada 5. Manguera atascado 6. Manguera rota 7. Correa rota 8. La manguera no está bien insertada 9. Activación del sistema de protección del motor 10. Filtros de seguridad 	<ol style="list-style-type: none"> 1. Cubo de la basura limpio. (páginas 12, 13) 2. Ajuste el nivel, (página 6) 3. Cambie el agitador, (página 19) 4. Revise CÓMO ELIMINAR LOS RESIDUOS DE BASURA EN LOS CONDUCTOS, (página 17) 5. Limpiar tubo para el mugre. (página 17) 6. Cambie la manguera. 7. Cambie la correa, (páginas 15, 16) 8. Inserte bien la manguera, (página 6) 9. Determine si existen bloqueos. (página 17) 10. Limpie/cambie el filtros, (página 14)
La aspiradora levanta tapetes o es difícil empujar.	<ol style="list-style-type: none"> 1. Ajuste incorrecto de nivel de pelo de la alfombra 	<ol style="list-style-type: none"> 1. Ajuste el nivel. (página 6)
La luz no funciona.	<ol style="list-style-type: none"> 1. Bombilla fundida. 	<ol style="list-style-type: none"> 1. Cambie la bombilla, (página 18)
El ensamble del agitador no gira.	<ol style="list-style-type: none"> 1. Correa rota 2. Selector de piso con alfombra y piso sin alfombra 3. Correa instalada incorrectamente 	<ol style="list-style-type: none"> 1. Cambie la correa, (páginas 14, 15). 2. Cambie el selector en la selección con alfombra, (página 6) 3. Revise CAMBIO DE LA CORREA Y LIMPIEZA DEL CEPILLO, (páginas 15-16).
El indicador de rendimiento, algunos modelos, está rojo.	<ol style="list-style-type: none"> 1. Cubo de la basura lleno o atascado 2. Filtros de seguridad 3. Conducto de flujo de aire atascado 4. Ciertos accesorios 	<ol style="list-style-type: none"> 1. Cubo de la basura limpio. (páginas 12, 13). 2. Limpie/cambie el filtros. (página 14) 3. Retire el material bloqueante del conducto de aire, (página 17) 4. Esto es normal. La luz debe apagarse al quitar la herramienta
Restricción del flujo de el uso de los accesorios. Cambio de sonido.	<ol style="list-style-type: none"> 1. El uso de los accesorios limita el flujo de aire 2. La pelusa de una alfombra nueva obstruye el paso de aire 	<ol style="list-style-type: none"> 1. Revise USO DE LOS ACCESORIOS, (página 9) 2. Revise CÓMO ELIMINAR LOS RESIDUOS DE BASURA EN LOS CONDUCTOS y limpie la manguera. (página 17).

Get it fixed, at your home or ours!

Your Home

For repair – **in your home** – of all major brand appliances, lawn and garden equipment, or heating and cooling systems, **no matter who made it, no matter who sold it!**

For the replacement parts, accessories and owner's manuals that you need to do-it-yourself.

For Sears professional installation of home appliances and items like garage door openers and water heaters.

1-800-4-MY-HOME[®] Anytime, day or night
(1-800-469-4663) (U.S.A. and Canada)
www.sears.com www.sears.ca

Our Home

For repair of carry-in products like vacuums, lawn equipment, and electronics, call or go on-line for the nearest **Sears Parts and Repair Center.**

1-800-488-1222 Anytime, day or night (U.S.A. only)
www.sears.com

To purchase a protection agreement (U.S.A.) or maintenance agreement (Canada) on a product serviced by Sears:

1-800-827-6655 (U.S.A.) **1-800-361-6665** (Canada)

Para pedir servicio de reparación a domicilio, y para ordenar piezas:

1-888-SU-HOGARSM
(1-888-784-6427)

Au Canada pour service en français:

1-800-LE-FOYER^{MC}
(1-800-533-6937)
www.sears.ca

SEARS

© Sears, Roebuck and Co.

® Registered Trademark / TM Trademark / SM Service Mark of Sears, Roebuck and Co.

® Marca Registrada / TM Marca de Fábrica / SM Marca de Servicio de Sears, Roebuck and Co.

^{MC} Marque de commerce / ^{MD} Marque déposée de Sears, Roebuck and Co.