

This Owner's Manual is provided and hosted by [Appliance Factory Parts](#).



Sterling 5020-64 Owner's Manual

[Shop genuine replacement parts for Sterling 5020-64](#)



[Find Your Sterling Grill Parts - Select From 509 Models](#)

----- Manual continues below part list -----

Available Replacement Parts for Sterling 5020-64

10802	stainless steel burner
00400251	HUB CAP
18013	LID HEAT INDICATOR - LARGE - SS
S21233	HITCH PIN CLIP +
Y-12860	SCREW-THCP 1/4-20 X 1-TY-C A04
Y-11793	NUT HEX 1/4 20 JS500 +
Y-12646	SCREW PHCP SHL.8X1/2 TY-AB +
Y-12835	SCREW-PHCP 6-32X1/4 TY-F JS500
Y-29307	NUT HEX #10-24 JS500
Y-12855	SCREW PHCP 1/4-20X3/8UNC-2A + A04 #A
S21124	SCREW PHCP #8 X 12 +
Y-29304	SCREW PHCP #10 24x3/8
10892-931A	WHEEL 7 INCH GREY WALL
S21125	SCREW 8 X 3/8 PAN HEAD
S35094	SCREW #10-24 X 5/8
10342-246	IGNITOR ELECTRONIC TRIPLE +
Y-11231	LID BUMPER ROUND BLK
23000-271	SIDE BURNER BODY BASE
S21084	SCREW HEX WASHER HEAD #14x3/4
10081-S50	NAMEPLATE STERLING +
10342-E13	ELECTRODE W/WIRE
10342-T18	WIRE ELECTRODE S/B 600 +
24006-12A	HANDLE LID ASSY 625
27055-901	GREASE TRAY PORC FORMED 440 +
21475-138	DOOR HANDLE RESIN
5S672	grid, ss wire, 17.375 x 26.25; Grill Mas
66024	grid, ci, 17.375 x 25.5; Huntington
96021	HEAT PLATE PORCELAIN STEEL
03330	spark generator
00474	heat indicator; Huntington

52045-92	FIREBOX 440 HEAT SHIELD REAR
52315-151	FIREBOX 440 HOOD PANEL PORC
52904-144	BURNER ASSY MAIN SINGLE TUBE + LP
59005-034	CONTROL ASSY 4V S/B LP
59005-037	CONTROL ASSY 4V S/B NG
18431	FLAV-R-WAVE - BARON - SS
52007-181	COOKING GRID 550 PORC BLK +
23000-251	COVER SIDE BURNER BLACK +
53139-98	GRID PORCELAIN S/B RAW *
10240-23	LID PIN 1/4-20
Y-29310	SCREW #10-24 3/4 TRUSS QU
52046-92	FIREBOX 550 HEAT SHIELD 5V AB
52316-151	FIREBOX 550 HOOD PANEL PORC
59006-034	CONTROL ASSY 5V S/B LP
59006-037	CONTROL ASSY 5V S/B NG
52006-991	WARMING RACK 550 PORC +
52305-121	FIREBOX 440 OUTER REAR
52015-114	CONTROL COVER 440 4V CARTS
51994-19	AXLE ZINC PLATED 23.5 INCH
51339-401	CASTER BRACKET 440 BLK RESIN
10395-R51C	SIDE BURNER ASSY +
20005-000	HARDWARE BAG STICK & CHAIN SS
10892-23	CASTER RUBBER 3 INCH W/PLATE
52015-903	COLLECTOR BOX ASSEMBLY 440
52016-903	COLLECTOR BOX ASSEMBLY 625
80012	regulator and hose READ ADD. INFO
16121	BURNER TUBE, EACH SS
10342-245	IGNITOR ELECTRONIC DUAL +
04831	ELECTRODE WITH WIRE
52065-91	FIREBOX 440 HEAT SHIELD FRONT
52066-91	FIREBOX 550 HEAT SHIELD FRONT
59005-014	CONTROL ASSY 4V LP
18010	LID HEAT INDICATOR - SMALL - SS

59006-014	CONTROL ASSY 550 5V LP
59006-017	VALVE ASSY 550 5V MAIN NG
59005-017	CONTROL ASSY 4V NG
57056-901	GREASE TRAY BLK
Y-11544S	SCREW - BURNER #10-24 X 3/8
10111-K45	HOSE 3/8 INCH ASSEMBLY NG 10 FOOT +
24009-936	HANDLE RING
10342-247	IGNITOR ELECTRONIC +
10472-K431	CONTRL KNOB RESIN LRG BLCK W/SS BA STRIP
22001-168	CONTROL KNOB BEZEL SML
22002-268	CONTROL KNOB BEZEL LARGE
24005-12AB	LID-HANDLE BENT,
52005-991	WARMING RACK 440 PORC
52009-901	GREASE PAN - BLACK HIGH HEAT PAINT
27249-904	GREASE SHIELD MODULAR, 6.5 x 6



REDDI-BILT BARBECUES

ASSEMBLY MANUAL & PARTS LIST

MANUEL DE MONTAGE & LISTE DE PIÈCES



STERLING 6 5020-64
5120-64

HUNTINGTON 6020-64
6120-64

broil-mate™ 7020-64
7120-64

STERLING 6 5030-64

HUNTINGTON 6130-64

broil-mate™ 7030-64

RETAIN FOR FUTURE REFERENCE

VEUILLEZ CONSERVER POUR REFERENCE ULTERIEURE

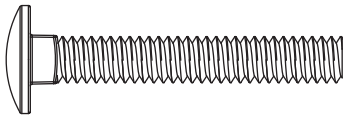
1-800-265-2150

info@omcbbq.com

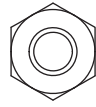
Onward
MANUFACTURING COMPANY
SINCE 1906
1000 EAST MARKET STREET
HUNTINGTON, INDIANA, 46750, USA

50084-E30 01/10

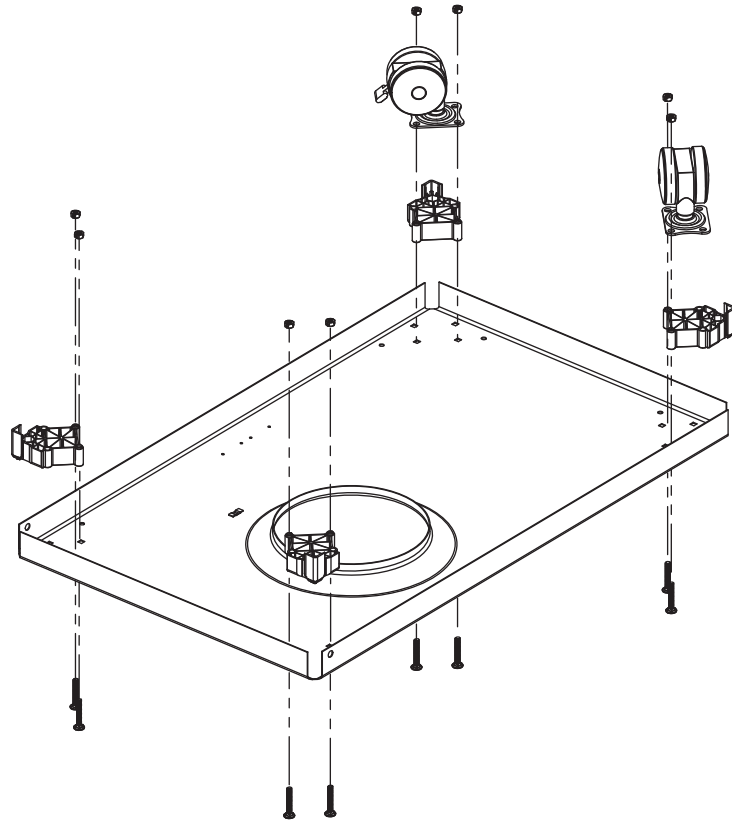
1



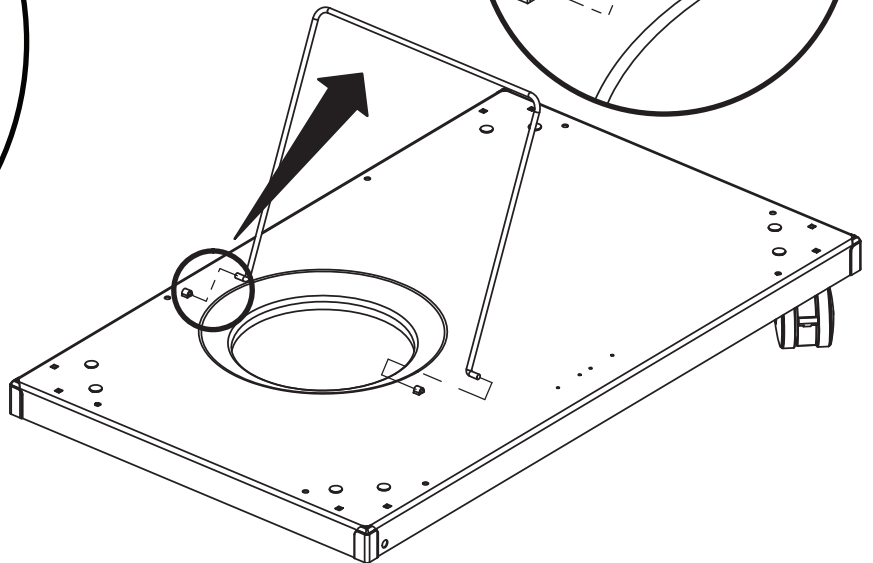
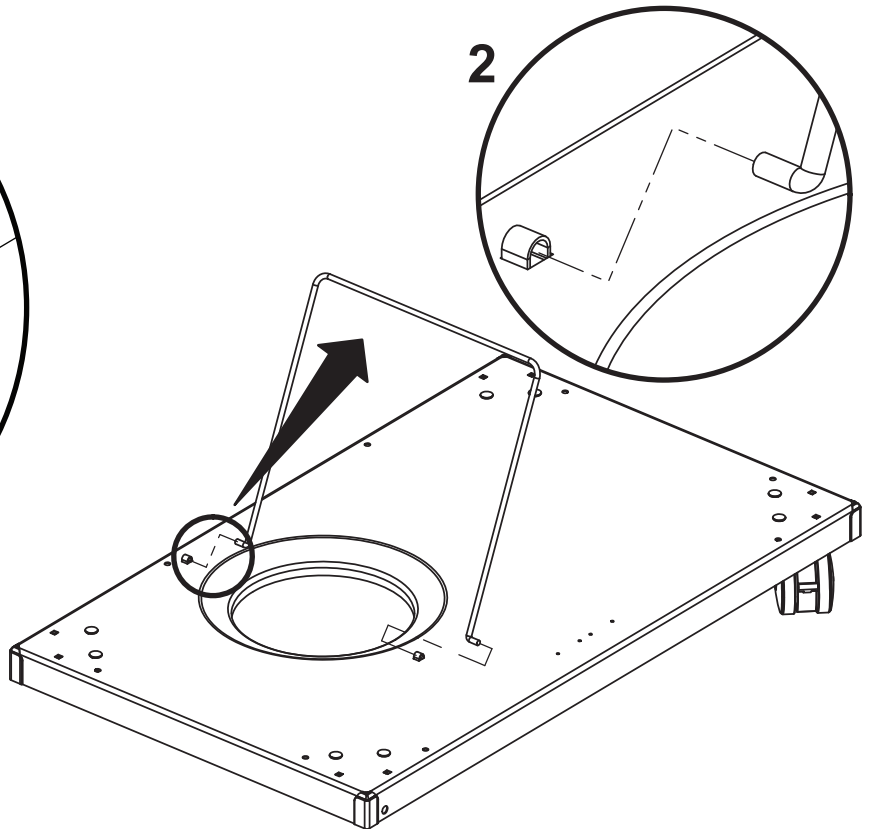
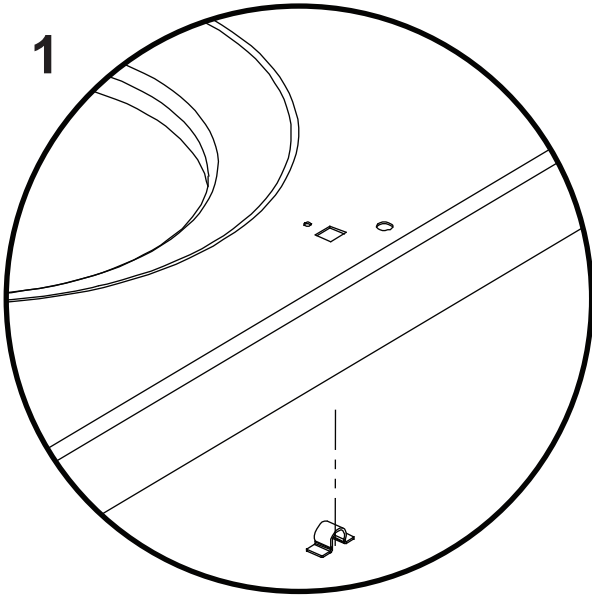
x8



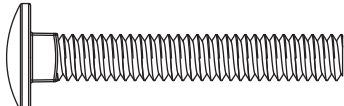
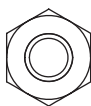
x8

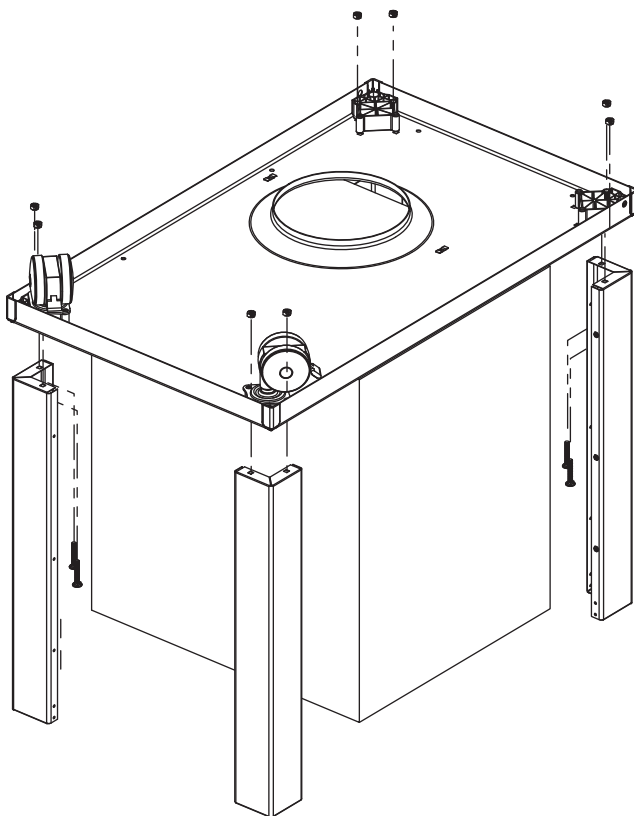
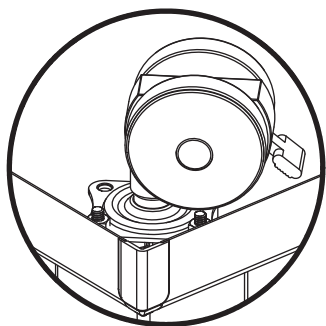


2

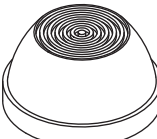


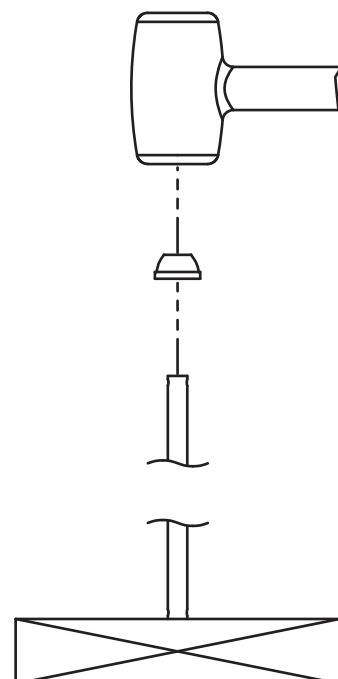
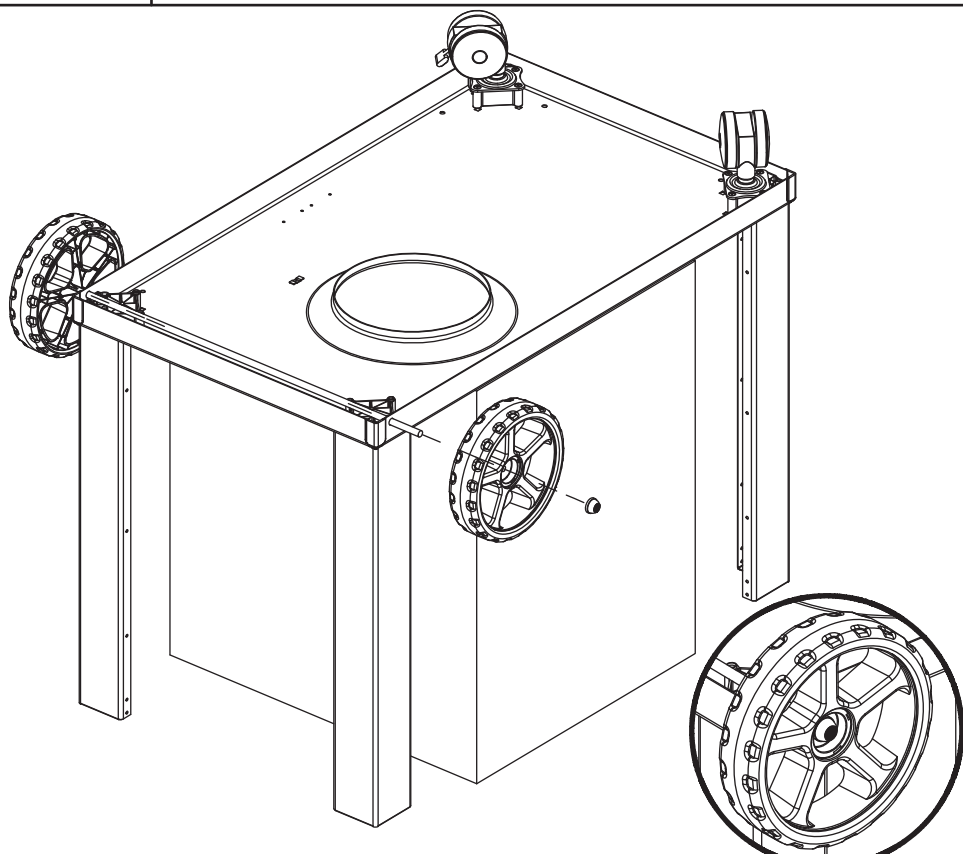
3

(8)  (8) 

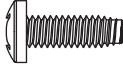


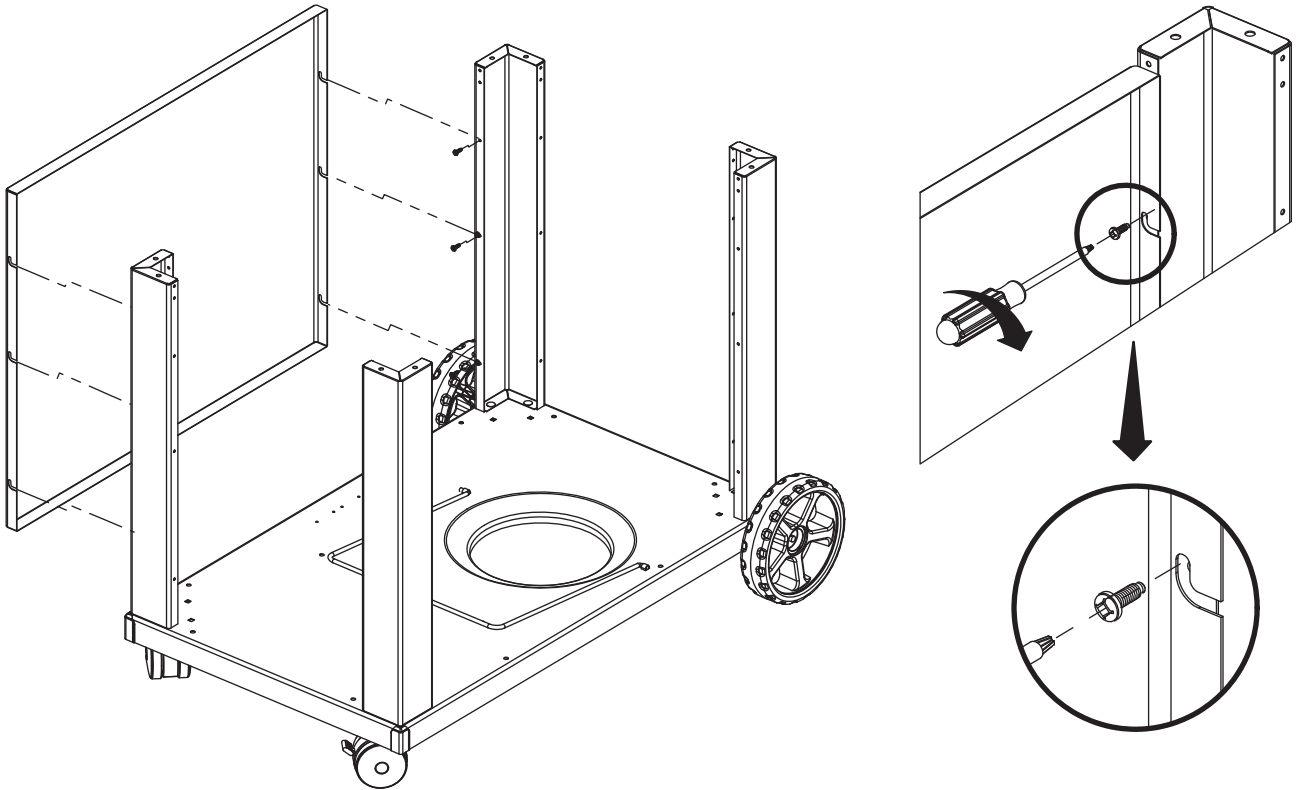
4

(2) 



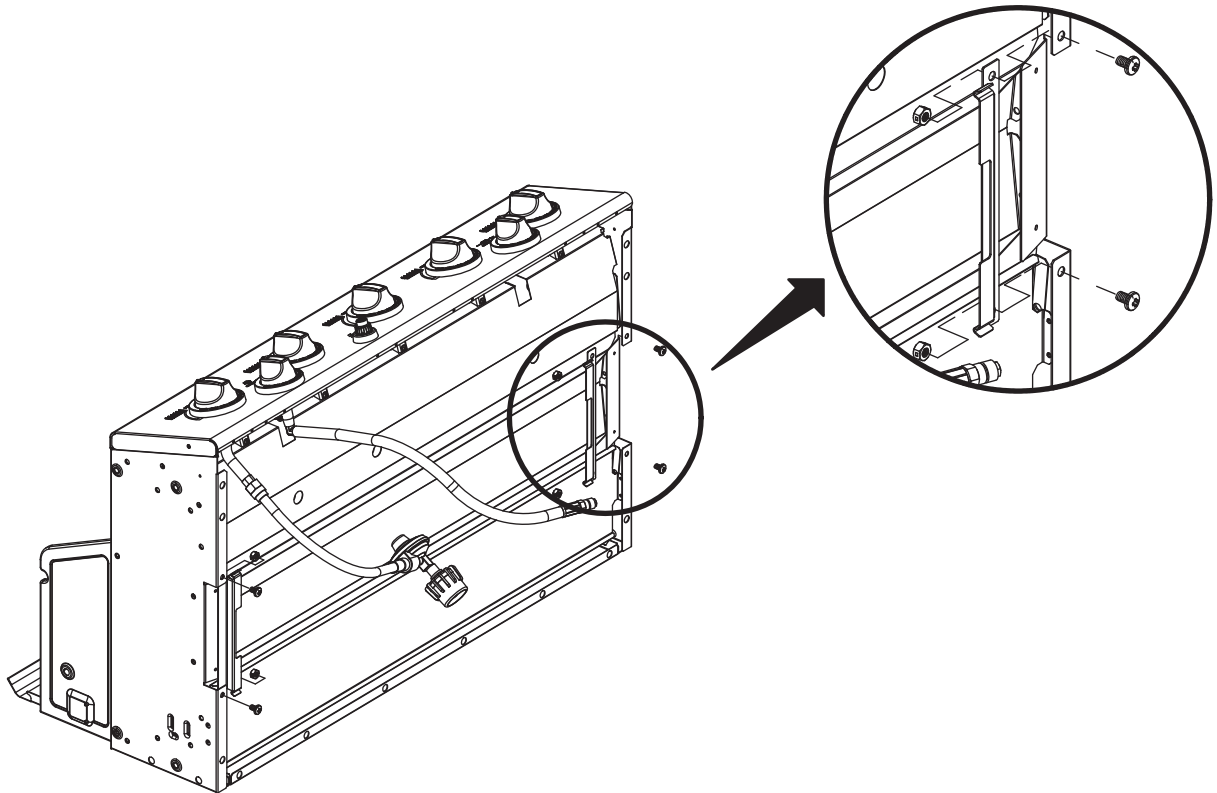
5

(6) 

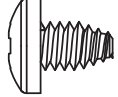


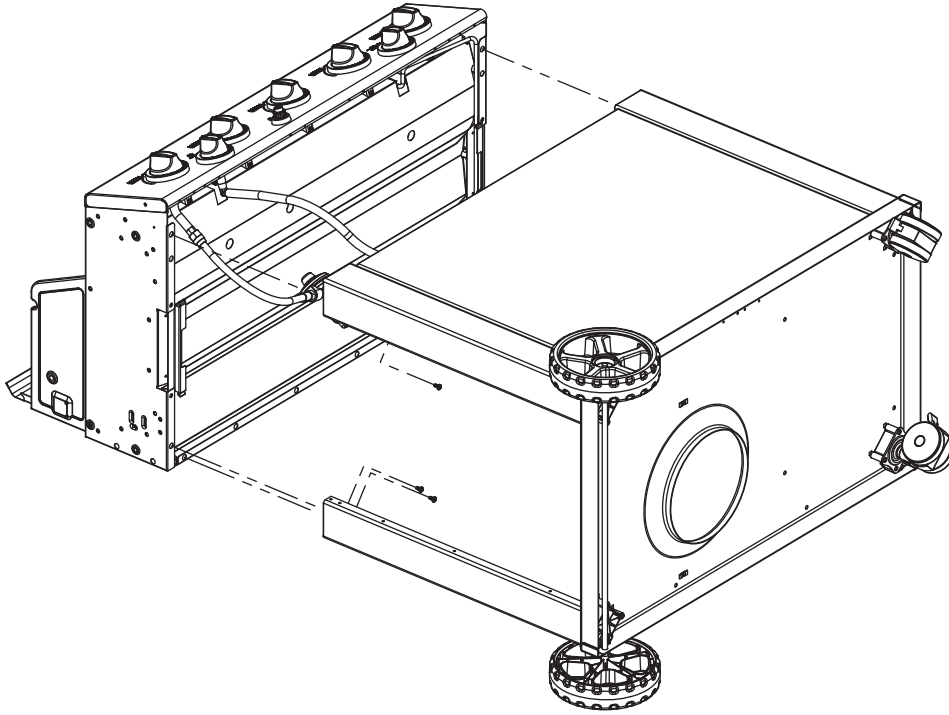
6

(4)  (4) 

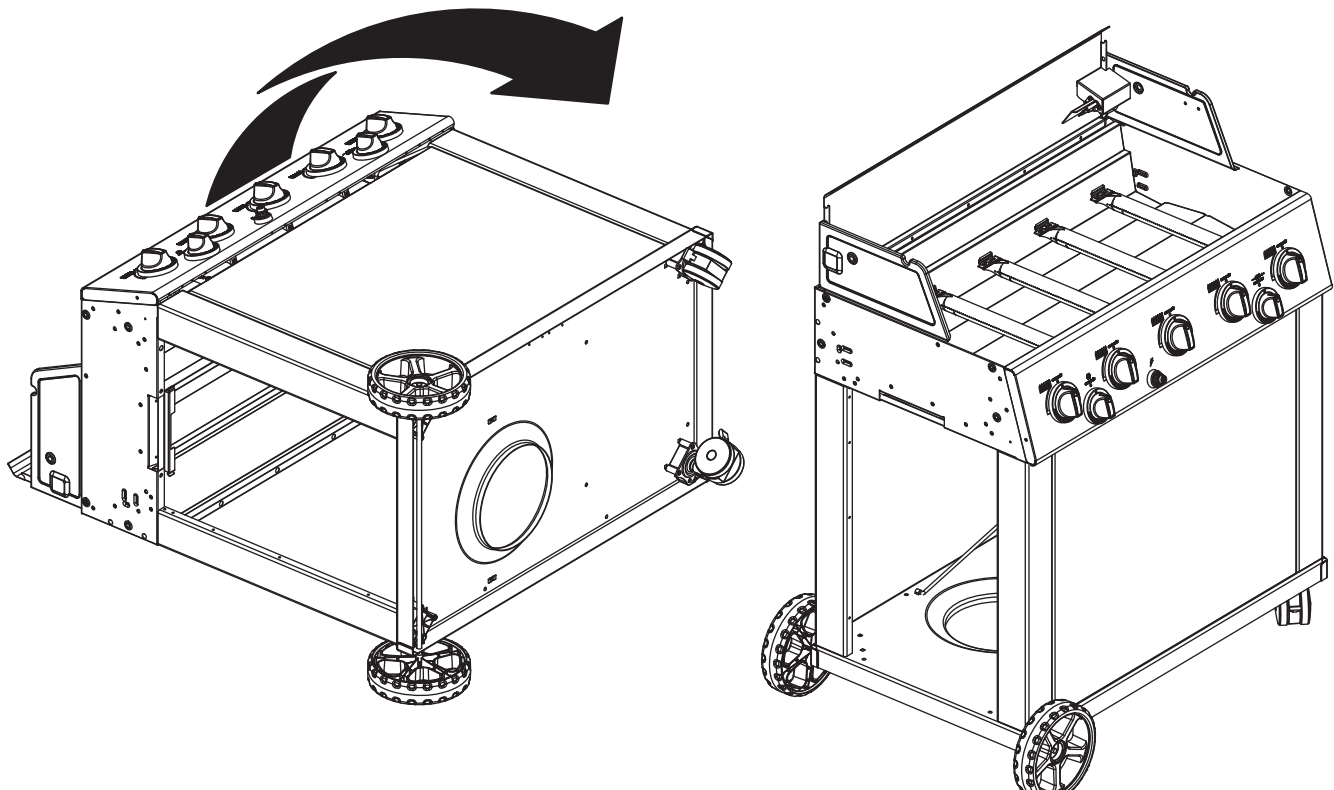


7

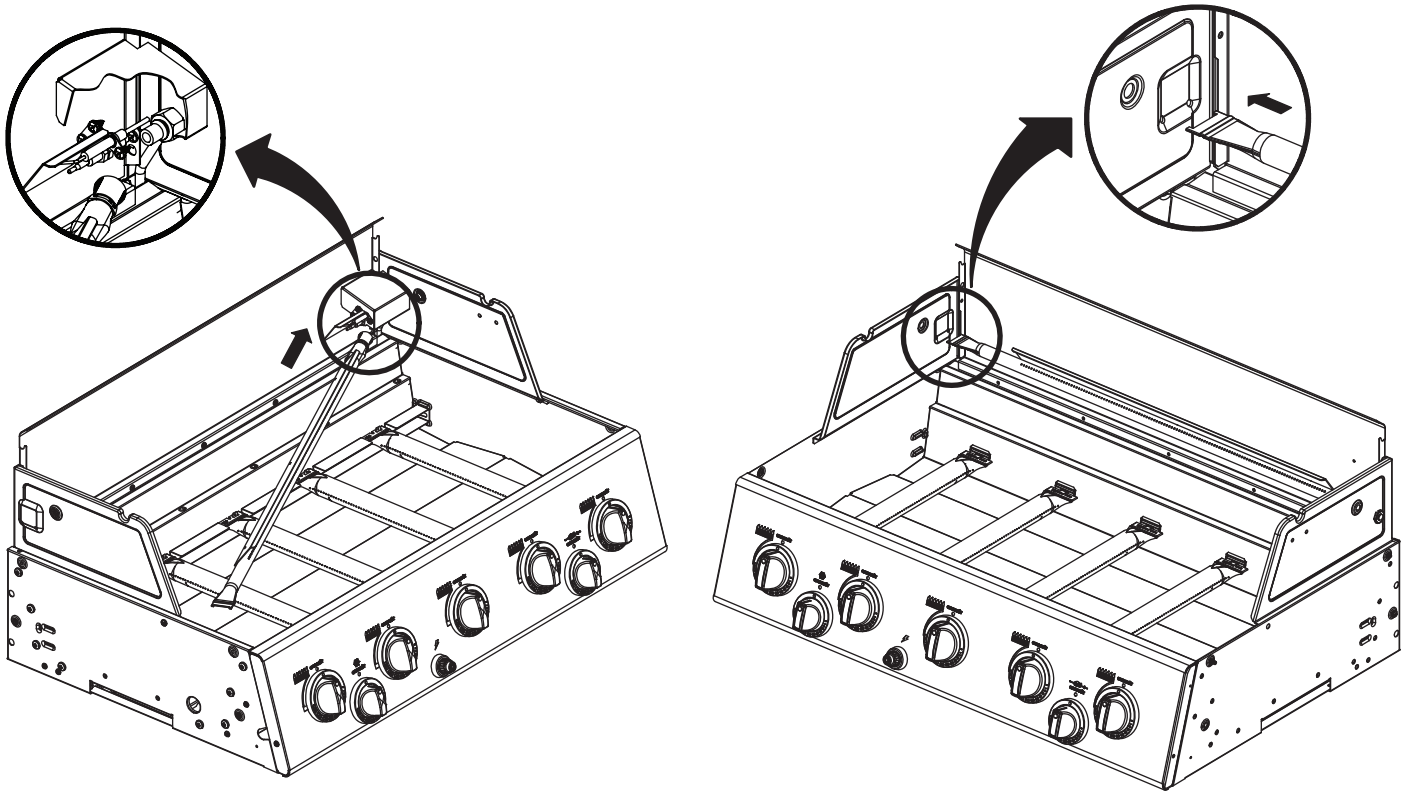
(8) 




8

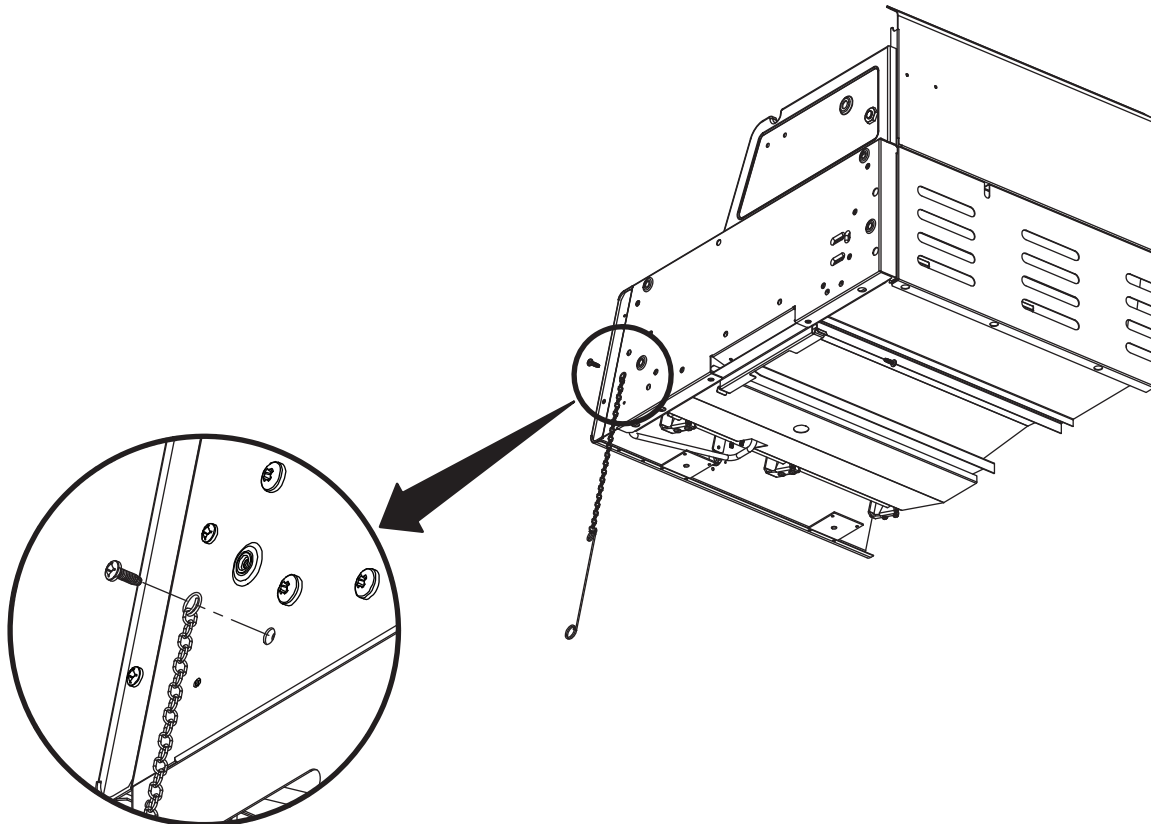


9

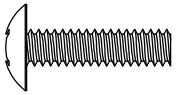


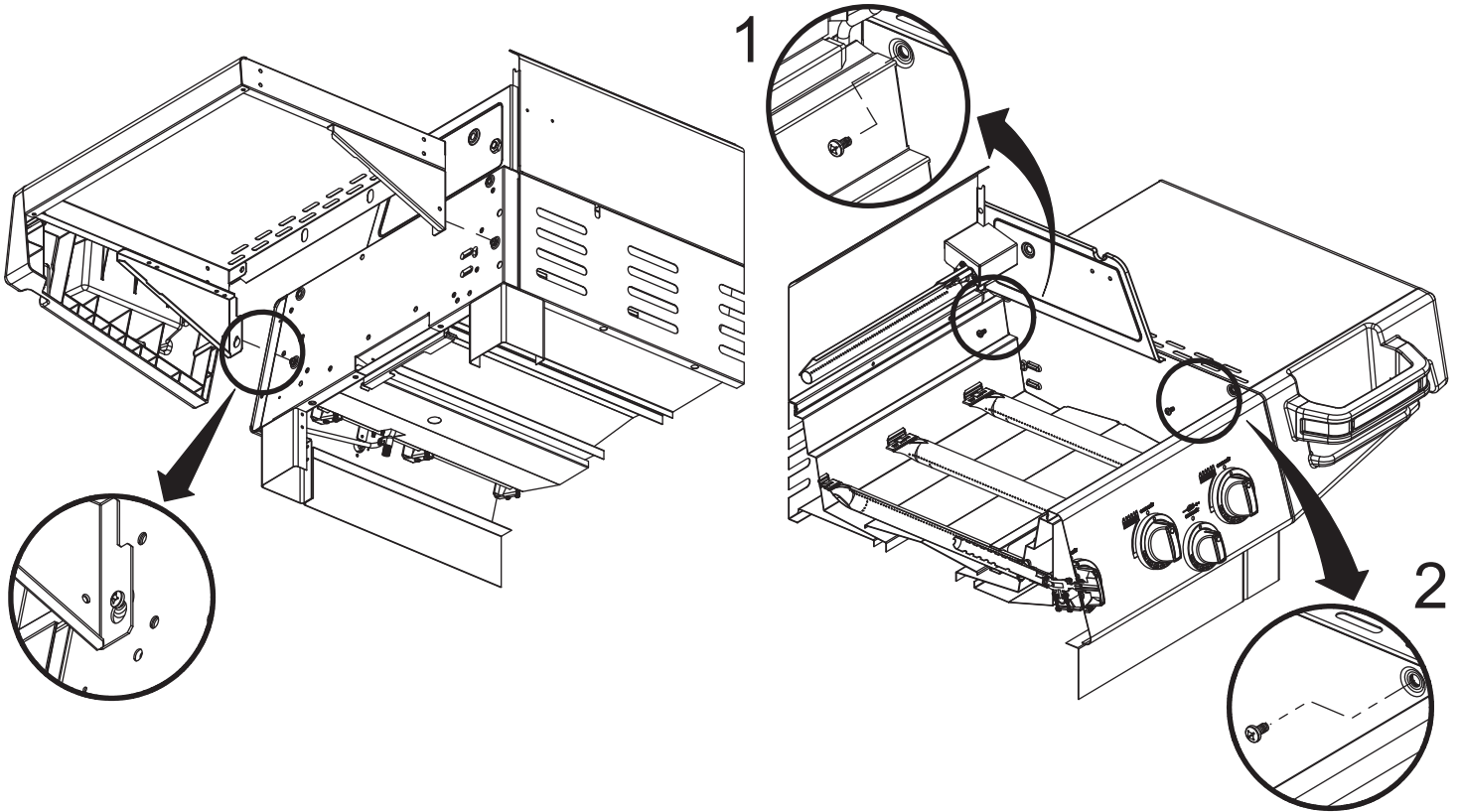
10

(1) 

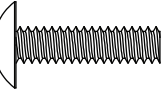


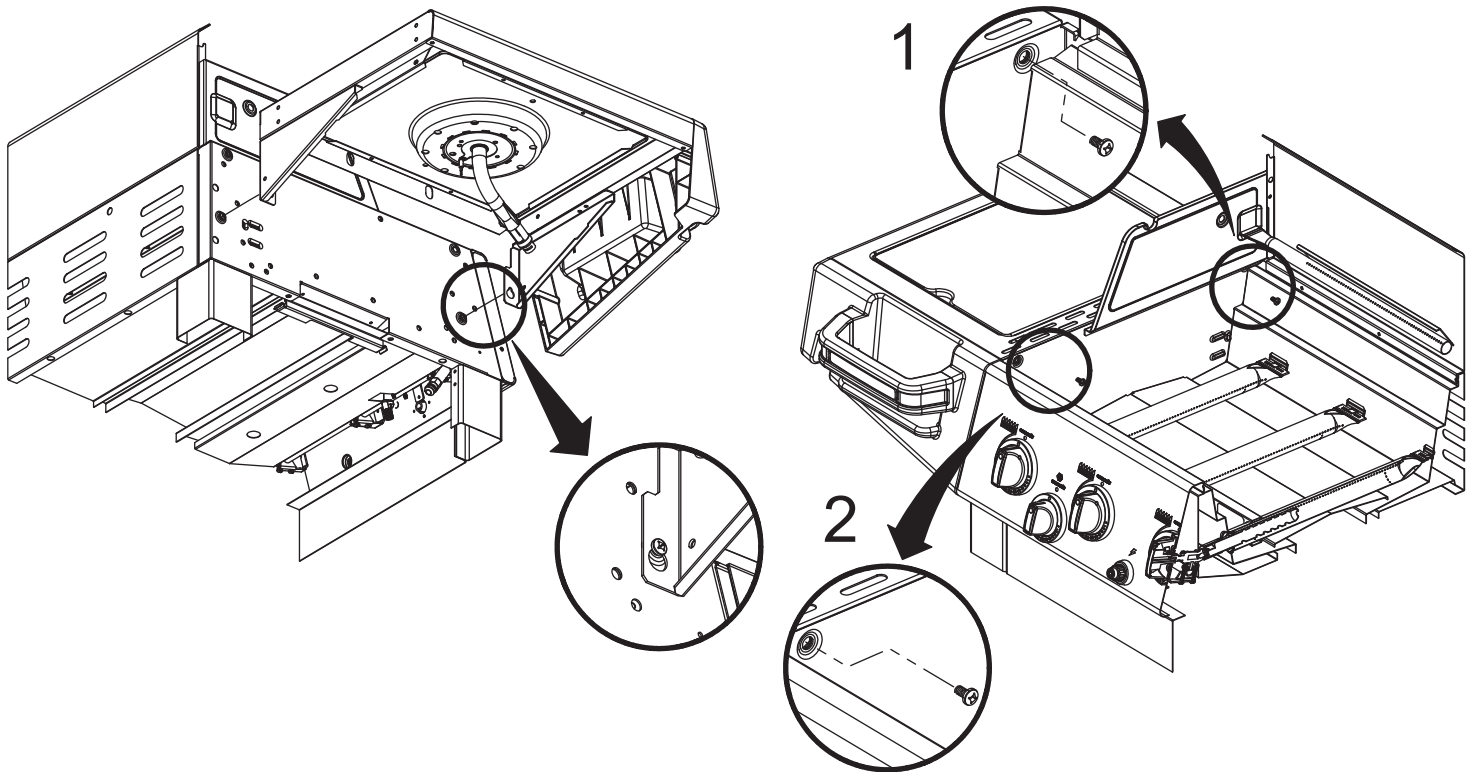
11

(4) 



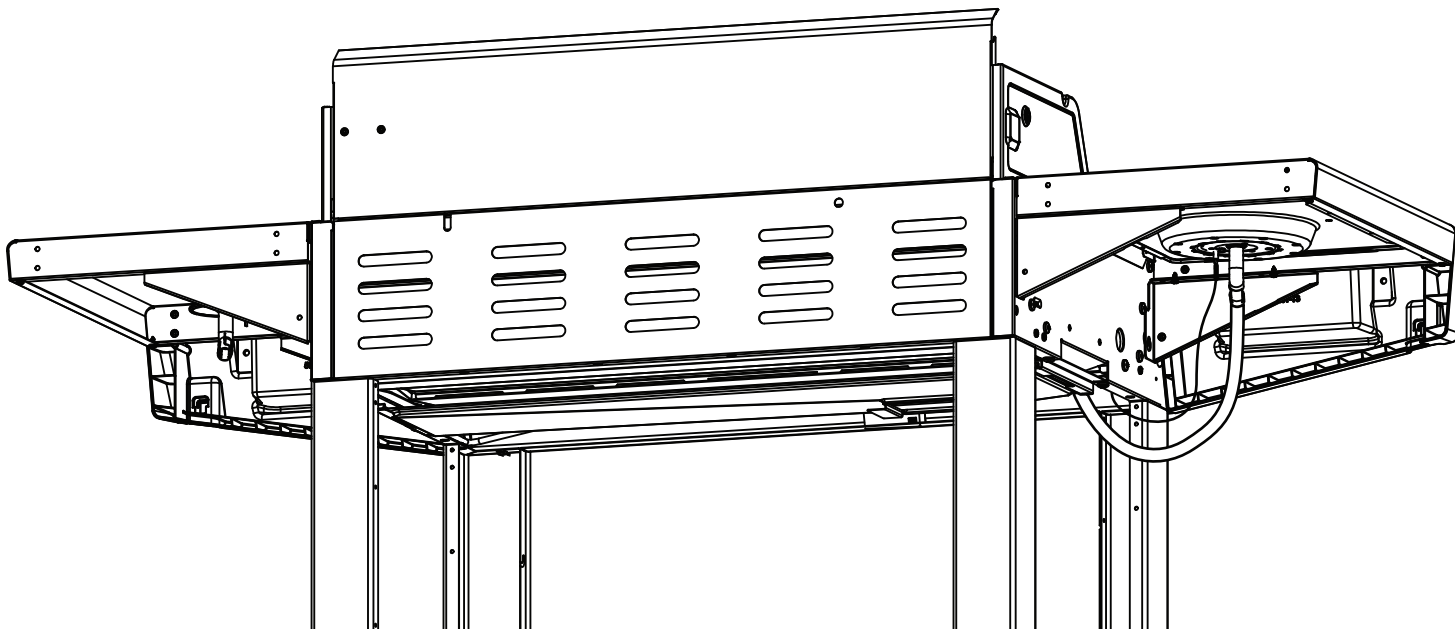
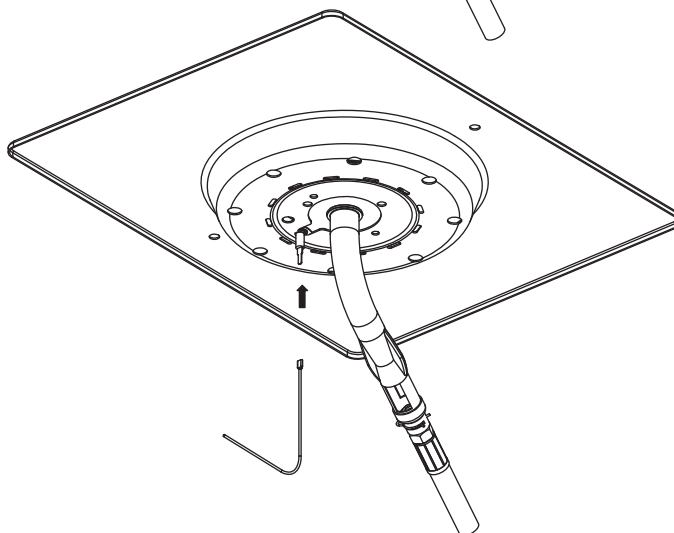
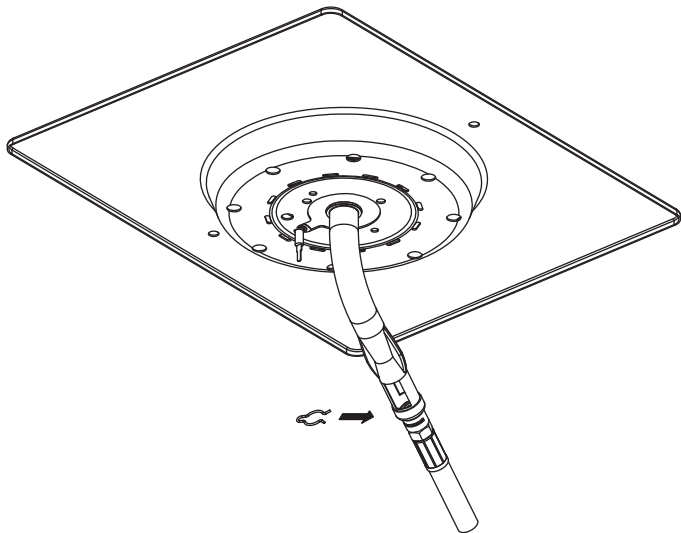
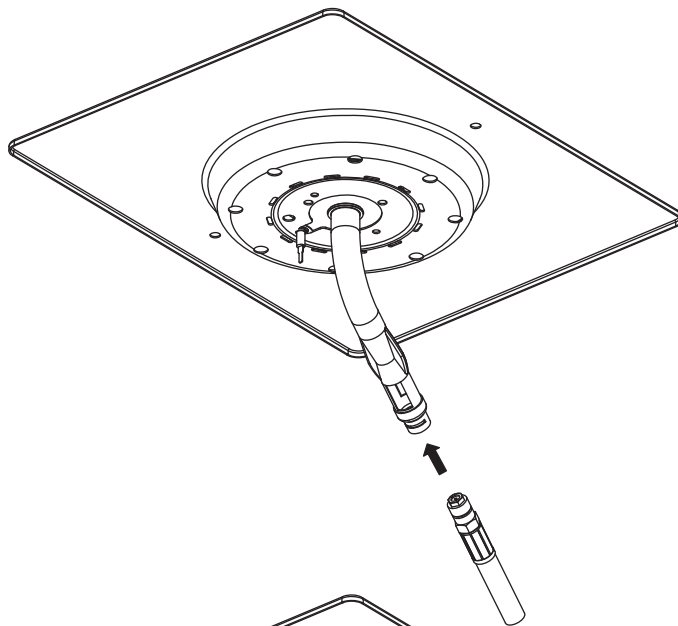
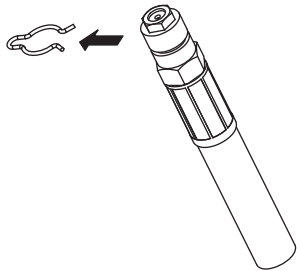
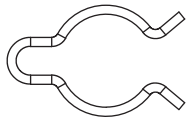
12

(4) 

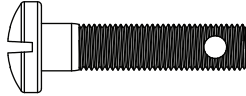
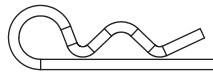


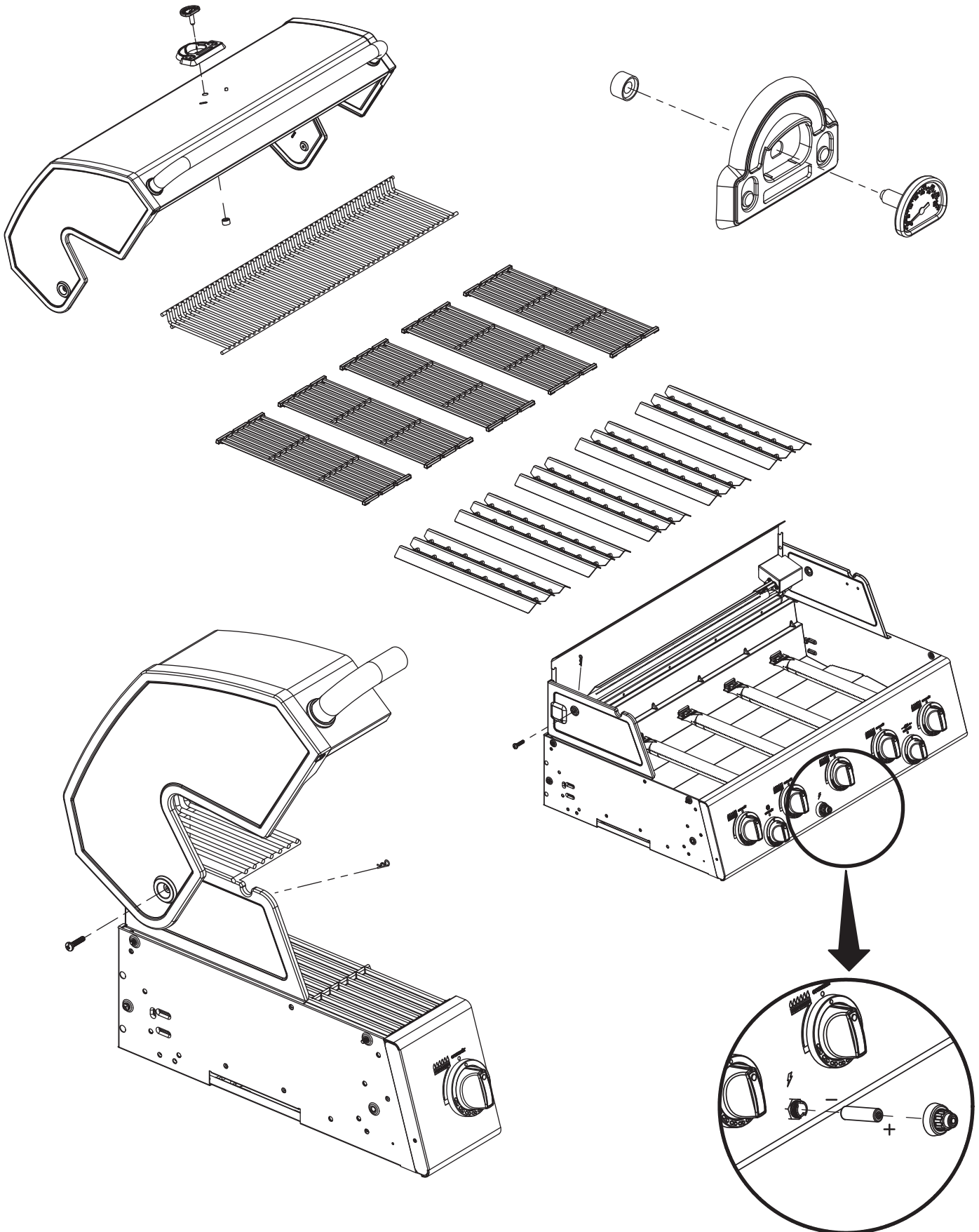
13

(1)

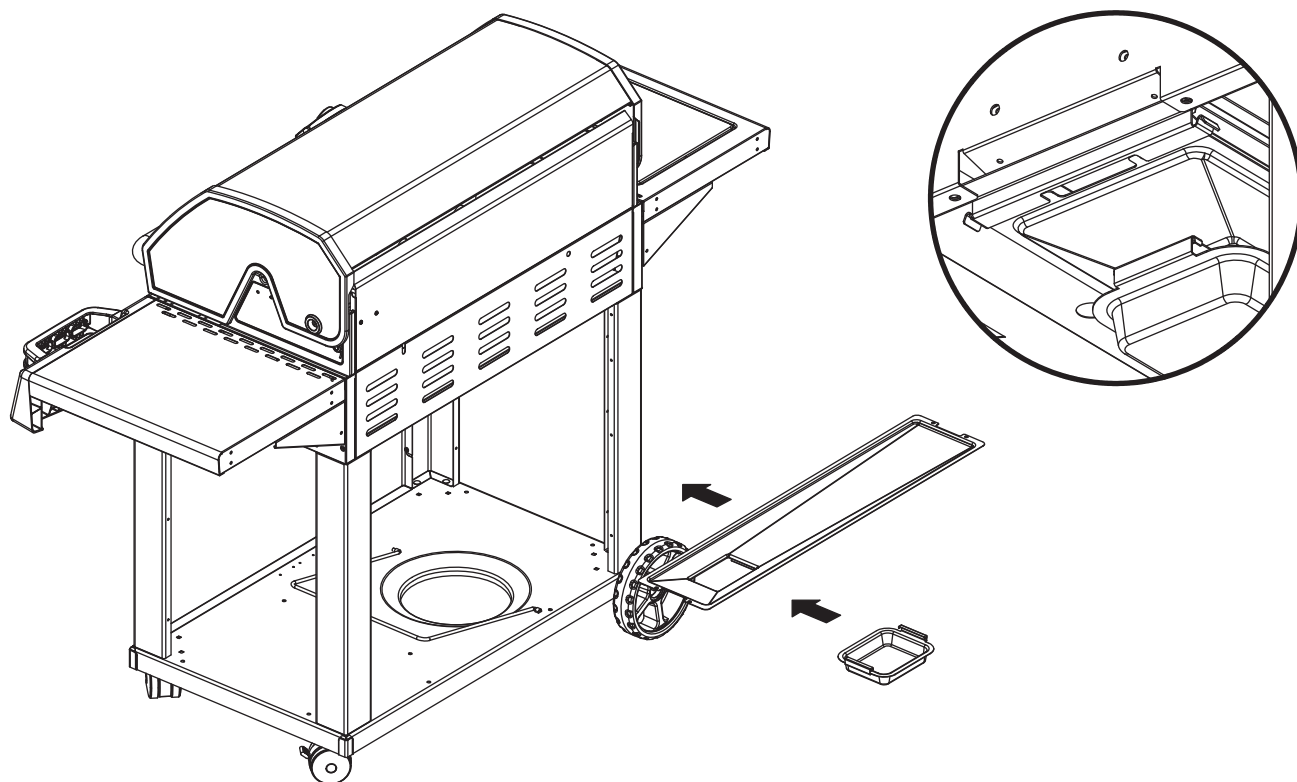


14

(2)  (2) 



15



16

