

This Owner's Manual is provided and hosted by [Appliance Factory Parts](#).



# Sterling 5120-64 Owner's Manual

[Shop genuine replacement parts for Sterling 5120-64](#)



[Find Your Sterling Grill Parts - Select From 509 Models](#)

----- Manual continues below part list -----

## Available Replacement Parts for Sterling 5120-64

<a href="#">10802</a>	stainless steel burner
<a href="#">00400251</a>	HUB CAP
<a href="#">18013</a>	LID HEAT INDICATOR - LARGE - SS
<a href="#">S21233</a>	HITCH PIN CLIP +
<a href="#">Y-12860</a>	SCREW-THCP 1/4-20 X 1-TY-C A04
<a href="#">Y-11793</a>	NUT HEX 1/4 20 JS500 +
<a href="#">Y-12646</a>	SCREW PHCP SHL.8X1/2 TY-AB +
<a href="#">Y-12835</a>	SCREW-PHCP 6-32X1/4 TY-F JS500
<a href="#">Y-29307</a>	NUT HEX #10-24 JS500
<a href="#">Y-12855</a>	SCREW PHCP 1/4-20X3/8UNC-2A + A04 #A
<a href="#">S21124</a>	SCREW PHCP #8 X 12 +
<a href="#">Y-29304</a>	SCREW PHCP #10 24x3/8
<a href="#">10892-931A</a>	WHEEL 7 INCH GREY WALL
<a href="#">S21125</a>	SCREW 8 X 3/8 PAN HEAD
<a href="#">S35094</a>	SCREW #10-24 X 5/8
<a href="#">10342-246</a>	IGNITOR ELECTRONIC TRIPLE +
<a href="#">Y-11231</a>	LID BUMPER ROUND BLK
<a href="#">23000-271</a>	SIDE BURNER BODY BASE
<a href="#">S21084</a>	SCREW HEX WASHER HEAD #14x3/4
<a href="#">10081-S50</a>	NAMEPLATE STERLING +
<a href="#">10342-E13</a>	ELECTRODE W/WIRE
<a href="#">10342-T18</a>	WIRE ELECTRODE S/B 600 +
<a href="#">24006-12A</a>	HANDLE LID ASSY 625
<a href="#">27055-901</a>	GREASE TRAY PORC FORMED 440 +
<a href="#">21475-138</a>	DOOR HANDLE RESIN
<a href="#">5S672</a>	grid, ss wire, 17.375 x 26.25; Grill Mas
<a href="#">66024</a>	grid, ci, 17.375 x 25.5; Huntington
<a href="#">96021</a>	HEAT PLATE PORCELAIN STEEL
<a href="#">03330</a>	spark generator
<a href="#">00474</a>	heat indicator; Huntington

<a href="#">52045-92</a>	FIREBOX 440 HEAT SHIELD REAR
<a href="#">52315-151</a>	FIREBOX 440 HOOD PANEL PORC
<a href="#">52904-144</a>	BURNER ASSY MAIN SINGLE TUBE + LP
<a href="#">59005-034</a>	CONTROL ASSY 4V S/B LP
<a href="#">59005-037</a>	CONTROL ASSY 4V S/B NG
<a href="#">18431</a>	FLAV-R-WAVE - BARON - SS
<a href="#">52007-181</a>	COOKING GRID 550 PORC BLK +
<a href="#">23000-251</a>	COVER SIDE BURNER BLACK +
<a href="#">53139-98</a>	GRID PORCELAIN S/B RAW *
<a href="#">10240-23</a>	LID PIN 1/4-20
<a href="#">Y-29310</a>	SCREW #10-24 3/4 TRUSS QU
<a href="#">52046-92</a>	FIREBOX 550 HEAT SHIELD 5V AB
<a href="#">52316-151</a>	FIREBOX 550 HOOD PANEL PORC
<a href="#">59006-034</a>	CONTROL ASSY 5V S/B LP
<a href="#">59006-037</a>	CONTROL ASSY 5V S/B NG
<a href="#">52006-991</a>	WARMING RACK 550 PORC +
<a href="#">52305-121</a>	FIREBOX 440 OUTER REAR
<a href="#">52015-114</a>	CONTROL COVER 440 4V CARTS
<a href="#">51994-19</a>	AXLE ZINC PLATED 23.5 INCH
<a href="#">51339-401</a>	CASTER BRACKET 440 BLK RESIN
<a href="#">10395-R51C</a>	SIDE BURNER ASSY +
<a href="#">20005-000</a>	HARDWARE BAG STICK & CHAIN SS
<a href="#">10892-23</a>	CASTER RUBBER 3 INCH W/PLATE
<a href="#">52015-903</a>	COLLECTOR BOX ASSEMBLY 440
<a href="#">52016-903</a>	COLLECTOR BOX ASSEMBLY 625
<a href="#">80012</a>	regulator and hose READ ADD. INFO
<a href="#">16121</a>	BURNER TUBE, EACH SS
<a href="#">10342-245</a>	IGNITOR ELECTRONIC DUAL +
<a href="#">04831</a>	ELECTRODE WITH WIRE
<a href="#">52065-91</a>	FIREBOX 440 HEAT SHIELD FRONT
<a href="#">52066-91</a>	FIREBOX 550 HEAT SHIELD FRONT
<a href="#">59005-014</a>	CONTROL ASSY 4V LP
<a href="#">18010</a>	LID HEAT INDICATOR - SMALL - SS

<a href="#"><u>59006-014</u></a>	CONTROL ASSY 550 5V LP
<a href="#"><u>59006-017</u></a>	VALVE ASSY 550 5V MAIN NG
<a href="#"><u>59005-017</u></a>	CONTROL ASSY 4V NG
<a href="#"><u>57056-901</u></a>	GREASE TRAY BLK
<a href="#"><u>Y-11544S</u></a>	SCREW - BURNER #10-24 X 3/8
<a href="#"><u>10111-K45</u></a>	HOSE 3/8 INCH ASSEMBLY NG 10 FOOT +
<a href="#"><u>24009-936</u></a>	HANDLE RING
<a href="#"><u>10342-247</u></a>	IGNITOR ELECTRONIC +
<a href="#"><u>10472-K431</u></a>	CONTRL KNOB RESIN LRG BLCK W/SS BA STRIP
<a href="#"><u>22001-168</u></a>	CONTROL KNOB BEZEL SML
<a href="#"><u>22002-268</u></a>	CONTROL KNOB BEZEL LARGE
<a href="#"><u>24005-12AB</u></a>	LID-HANDLE BENT,
<a href="#"><u>52005-991</u></a>	WARMING RACK 440 PORC
<a href="#"><u>52009-901</u></a>	GREASE PAN - BLACK HIGH HEAT PAINT
<a href="#"><u>27249-904</u></a>	GREASE SHIELD MODULAR, 6.5 x 6



REDDI-BILT BARBECUES

ASSEMBLY MANUAL & PARTS LIST

MANUEL DE MONTAGE & LISTE DE PIÈCES



**STERLING** 6 5020-64  
5120-64

HUNTINGTON 6020-64  
6120-64

**broil-mate**™ 7020-64  
7120-64

**STERLING** 6 5030-64

HUNTINGTON 6130-64

**broil-mate**™ 7030-64

RETAIN FOR FUTURE REFERENCE

VEUILLEZ CONSERVER POUR REFERENCE ULTERIEURE

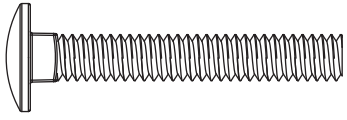
1-800-265-2150

info@omcbbq.com

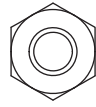
*Onward*  
MANUFACTURING COMPANY  
SINCE 1906  
1000 EAST MARKET STREET  
HUNTINGTON, INDIANA, 46750, USA



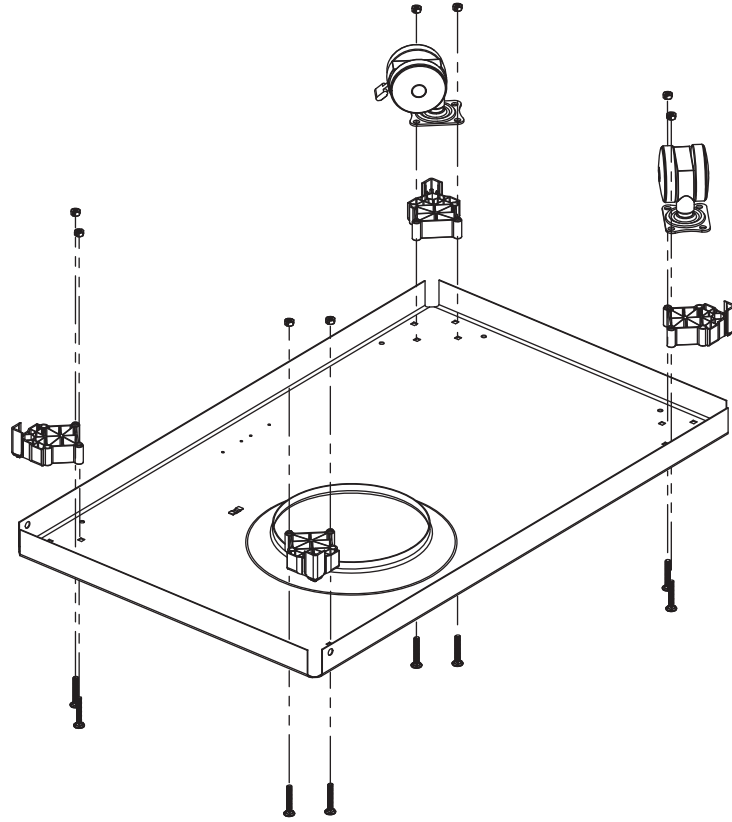
1



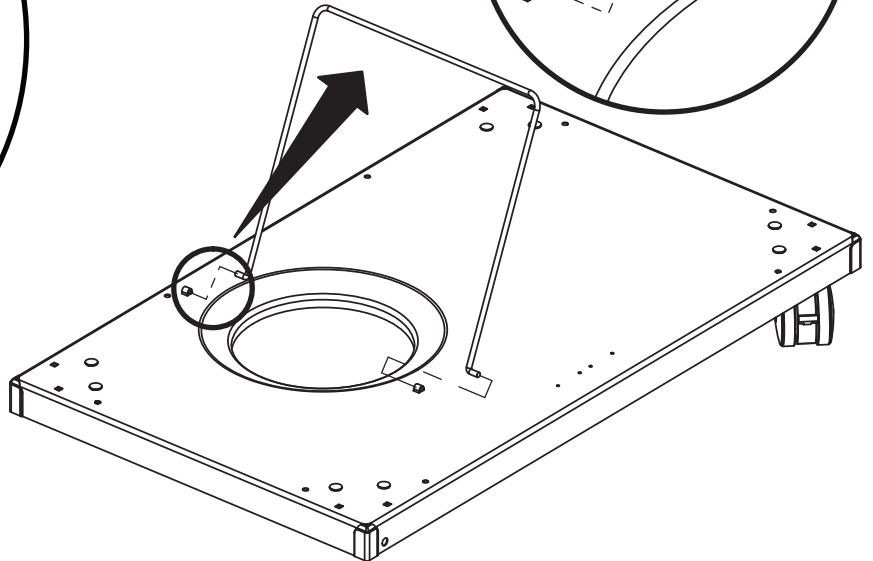
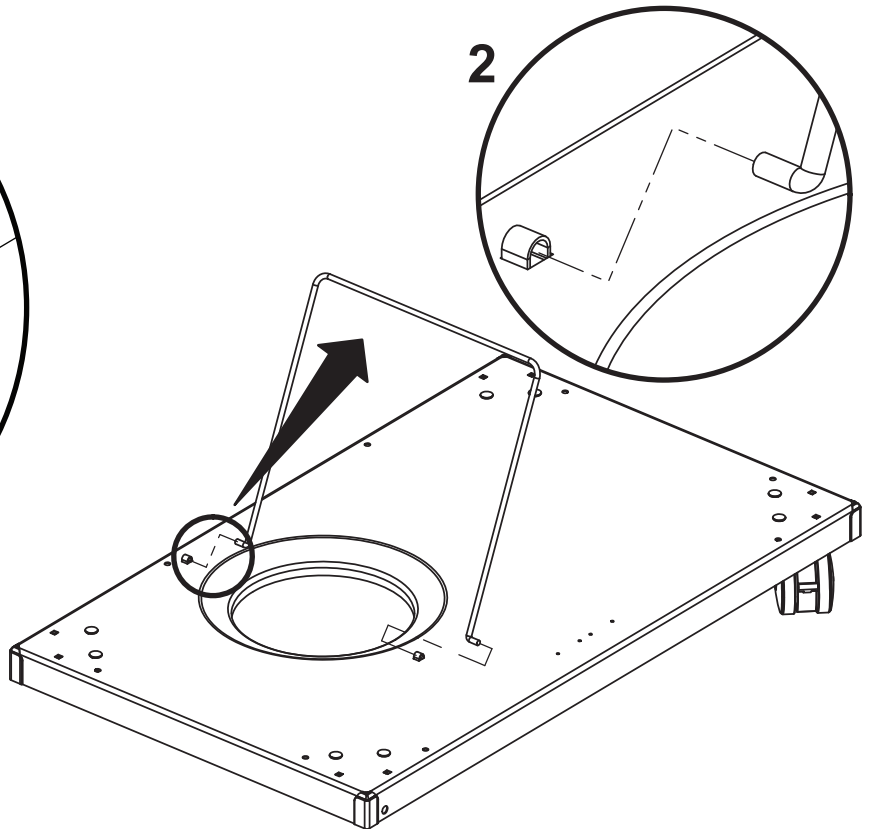
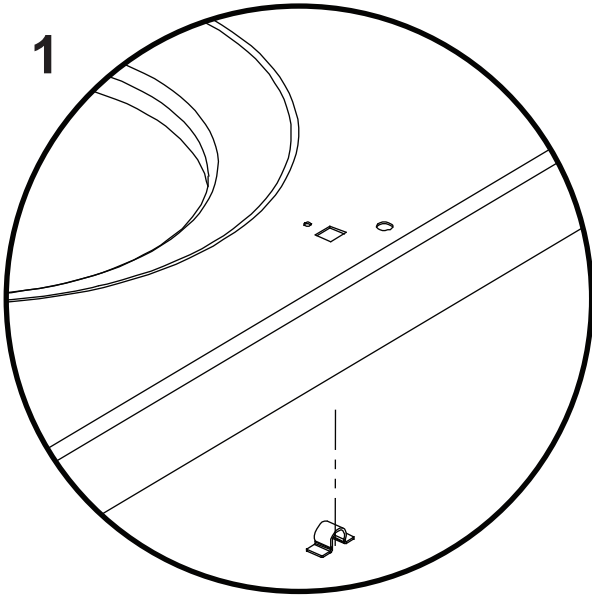
x8



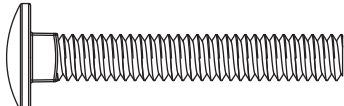
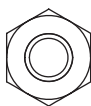
x8

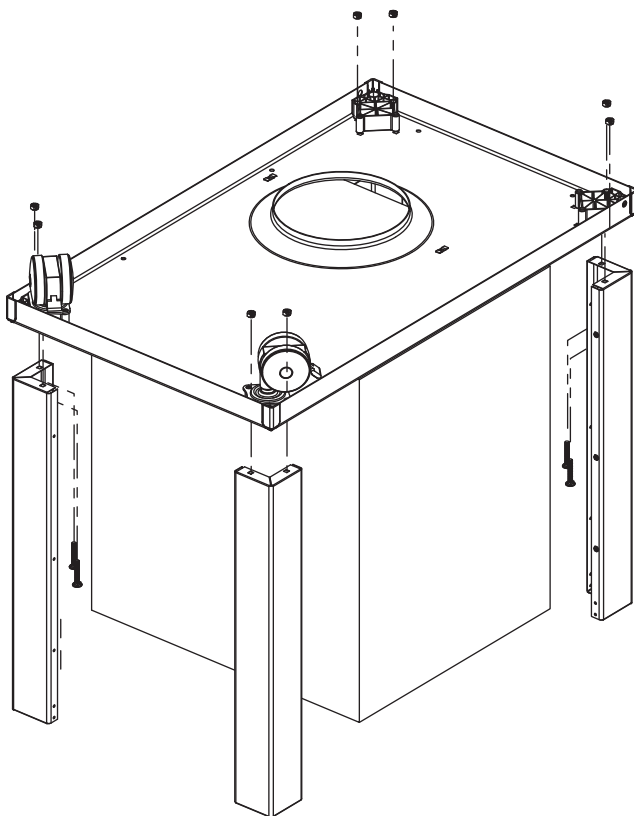
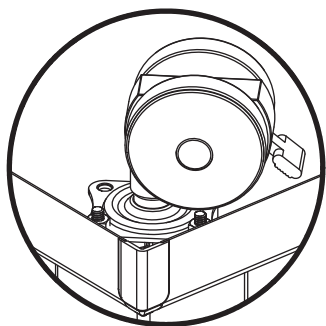


2

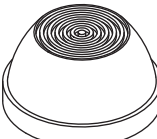


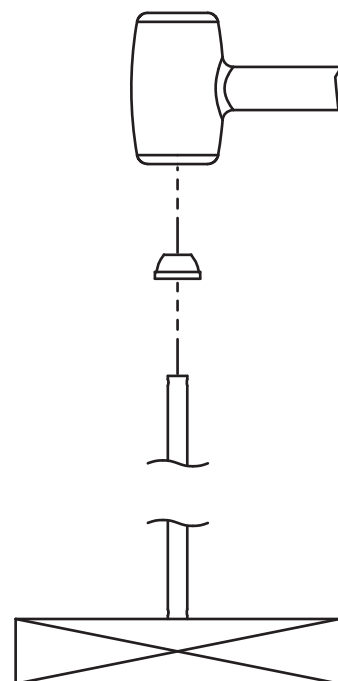
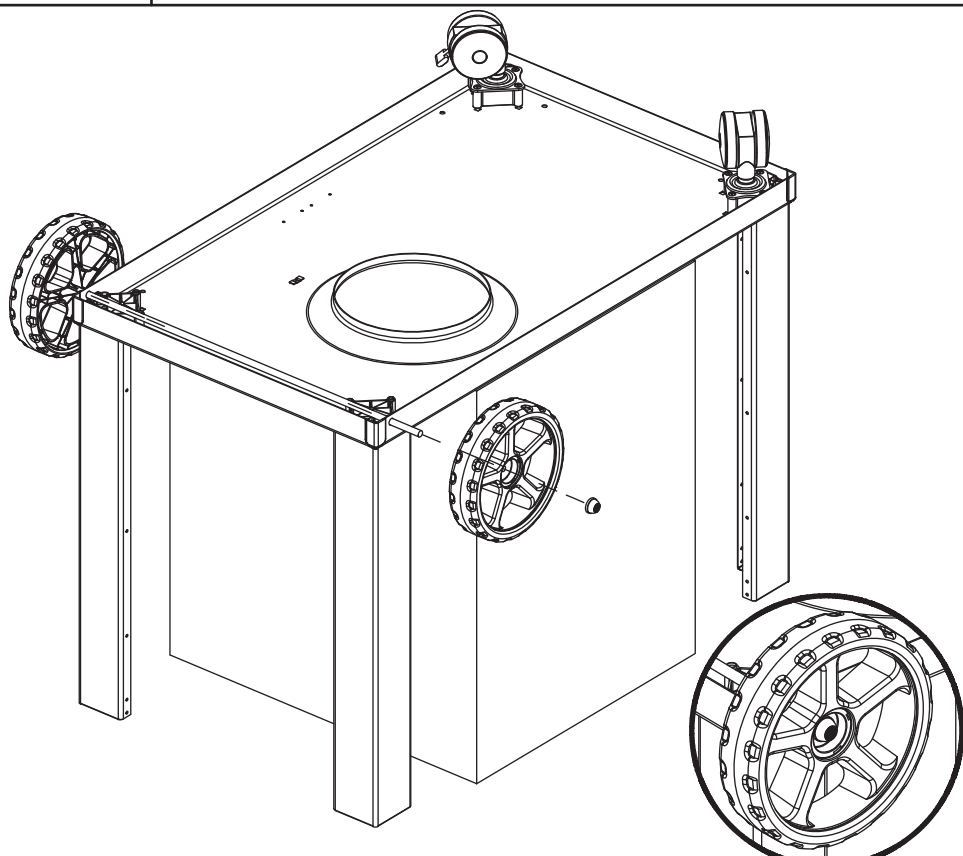
**3**

(8)  (8) 

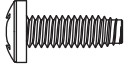


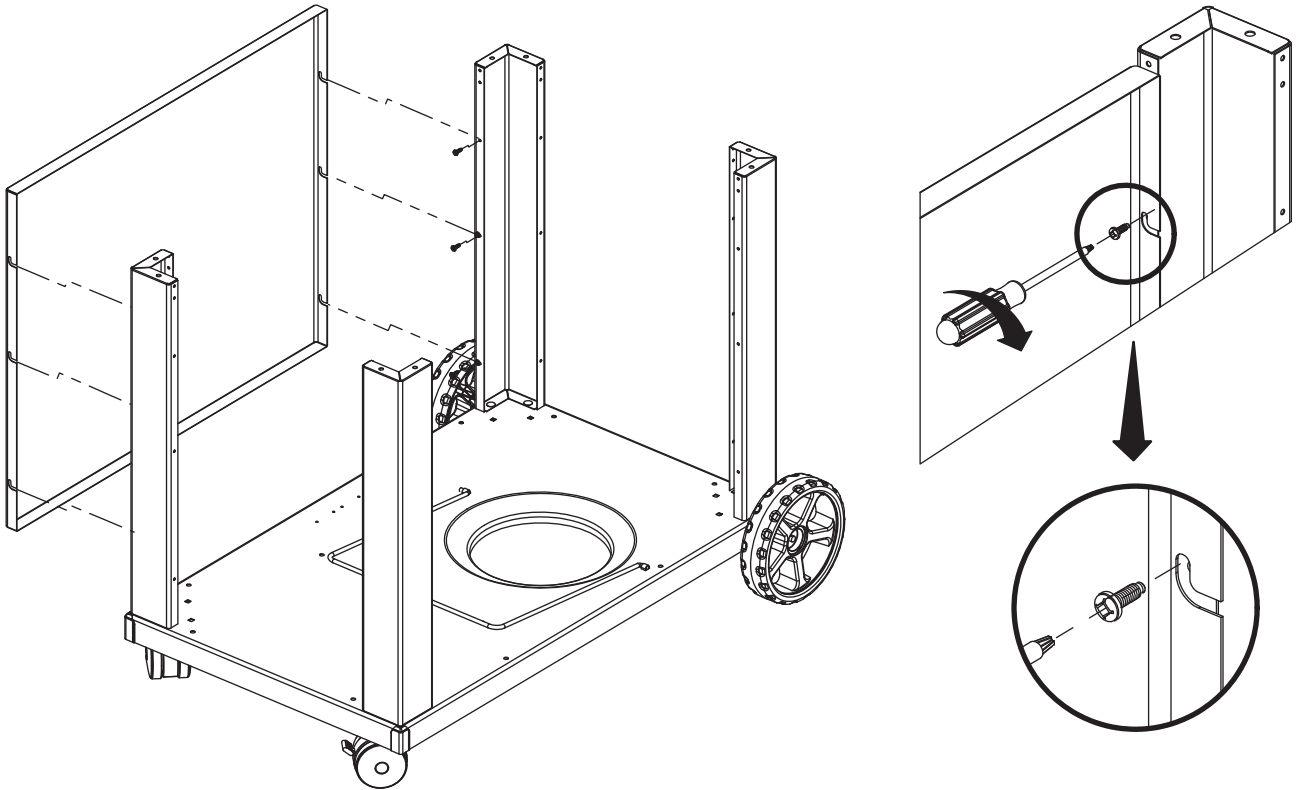
**4**

(2) 



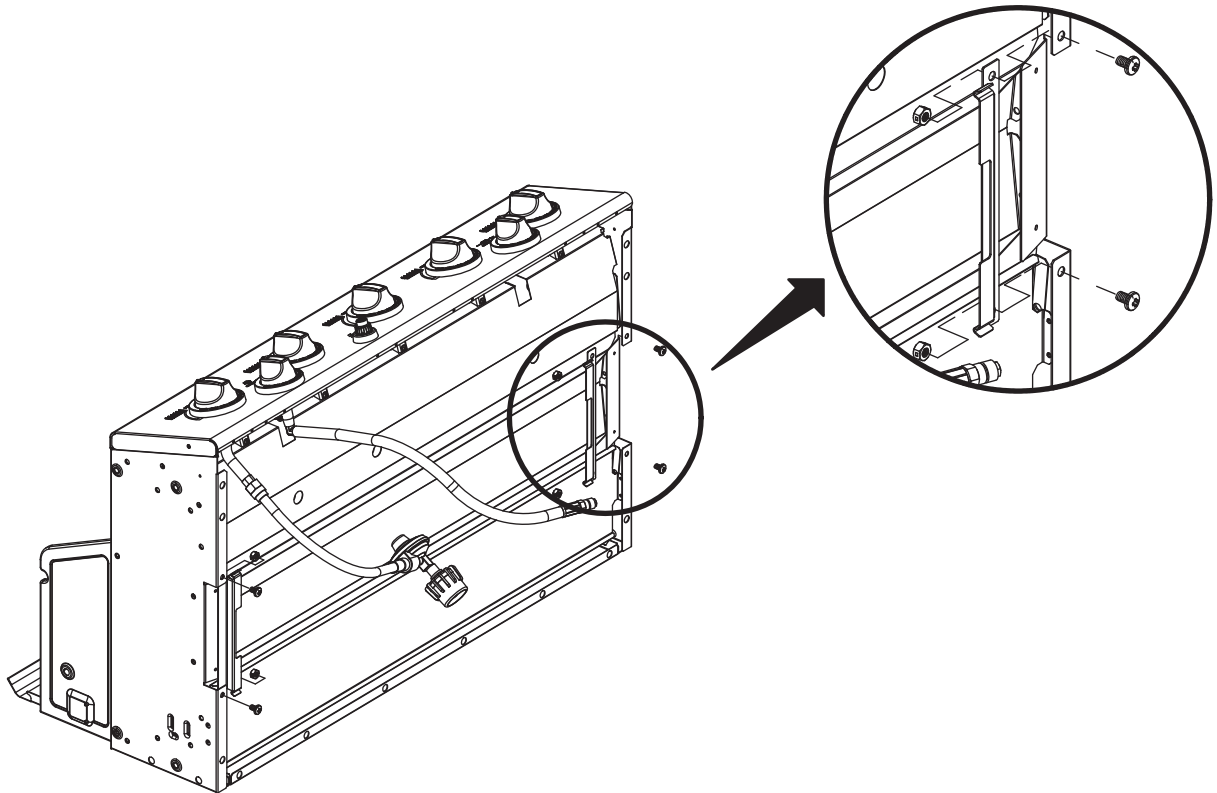
**5**

(6) 



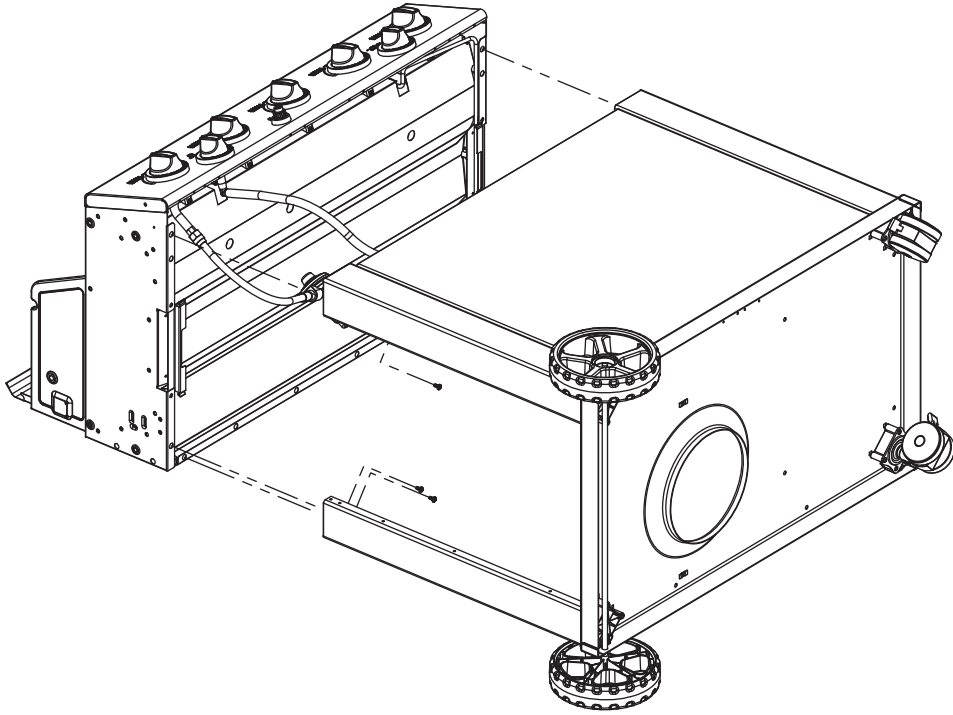
**6**

(4)  (4) 

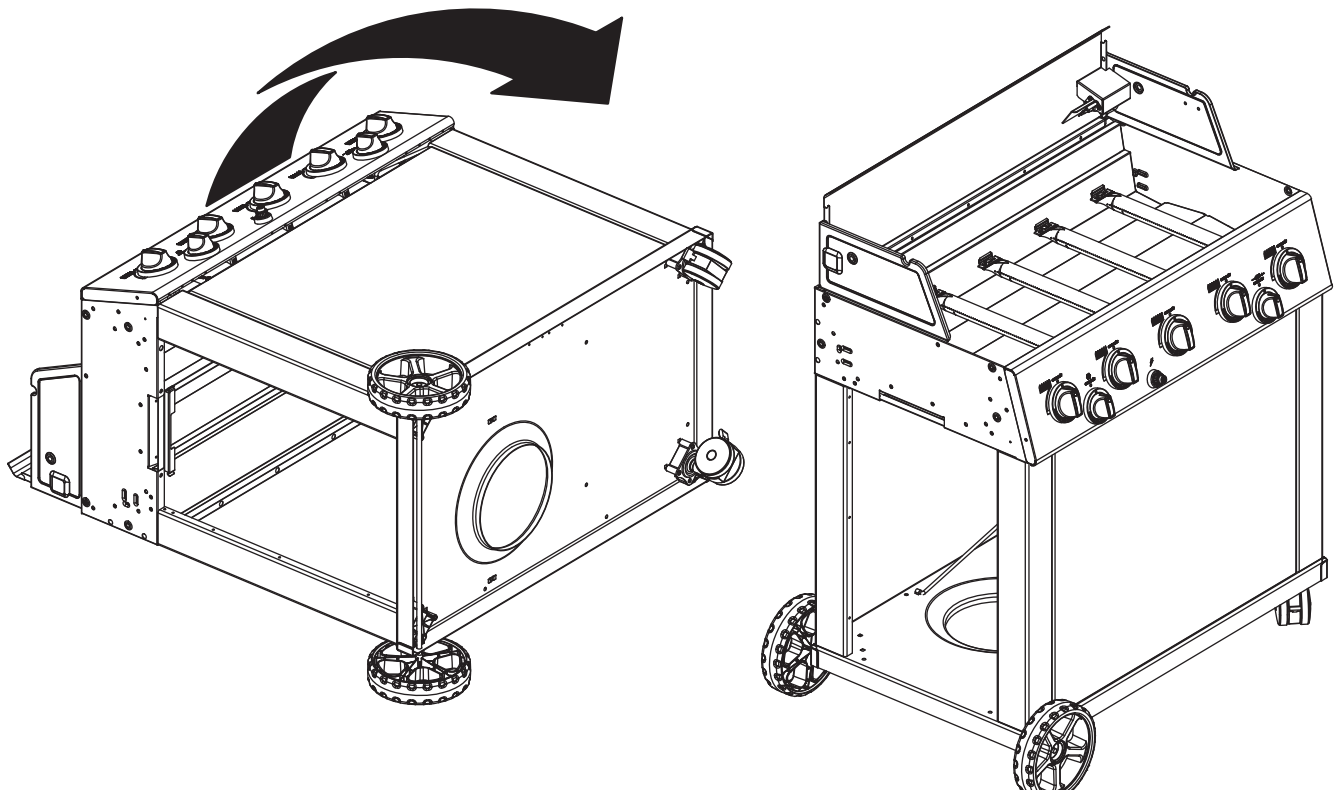


7

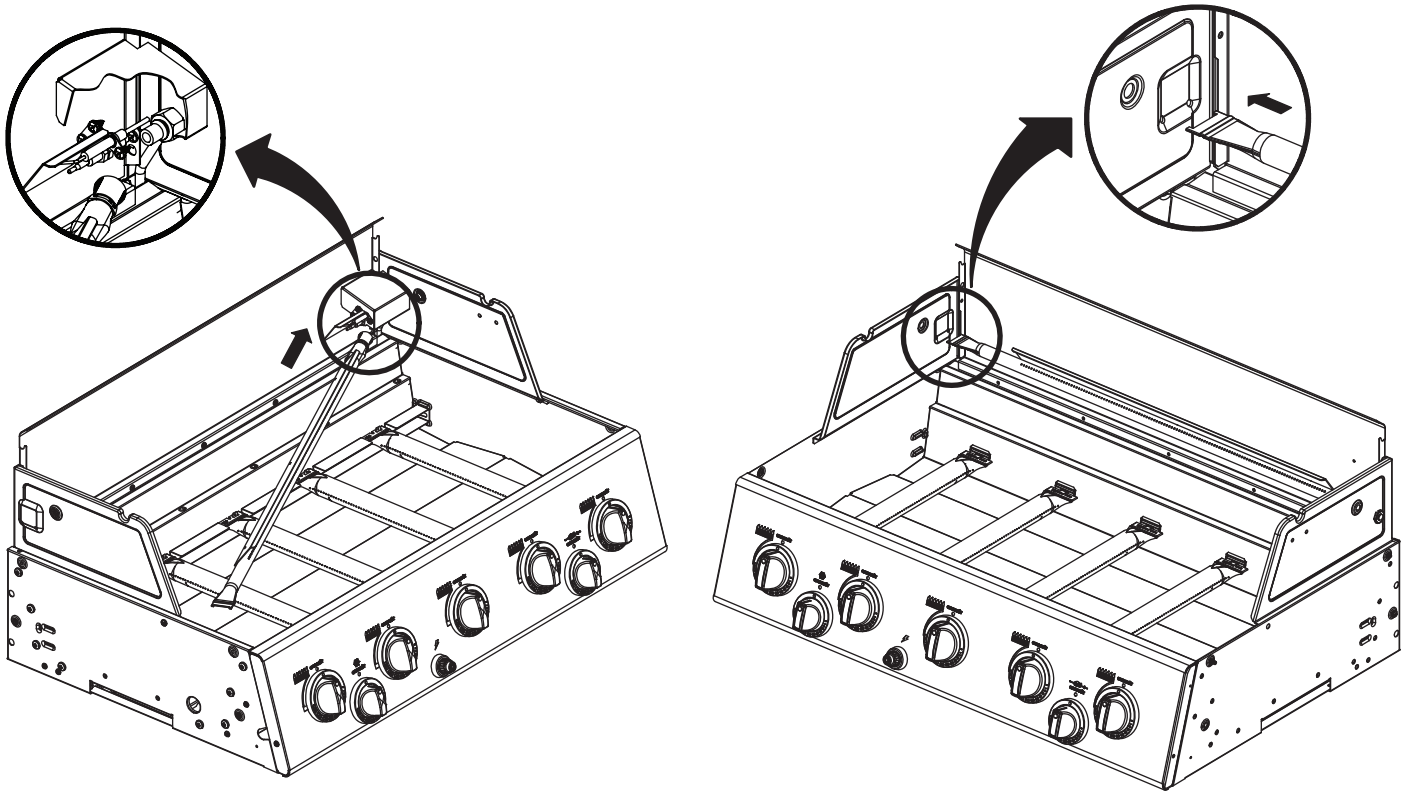
(8) 




8

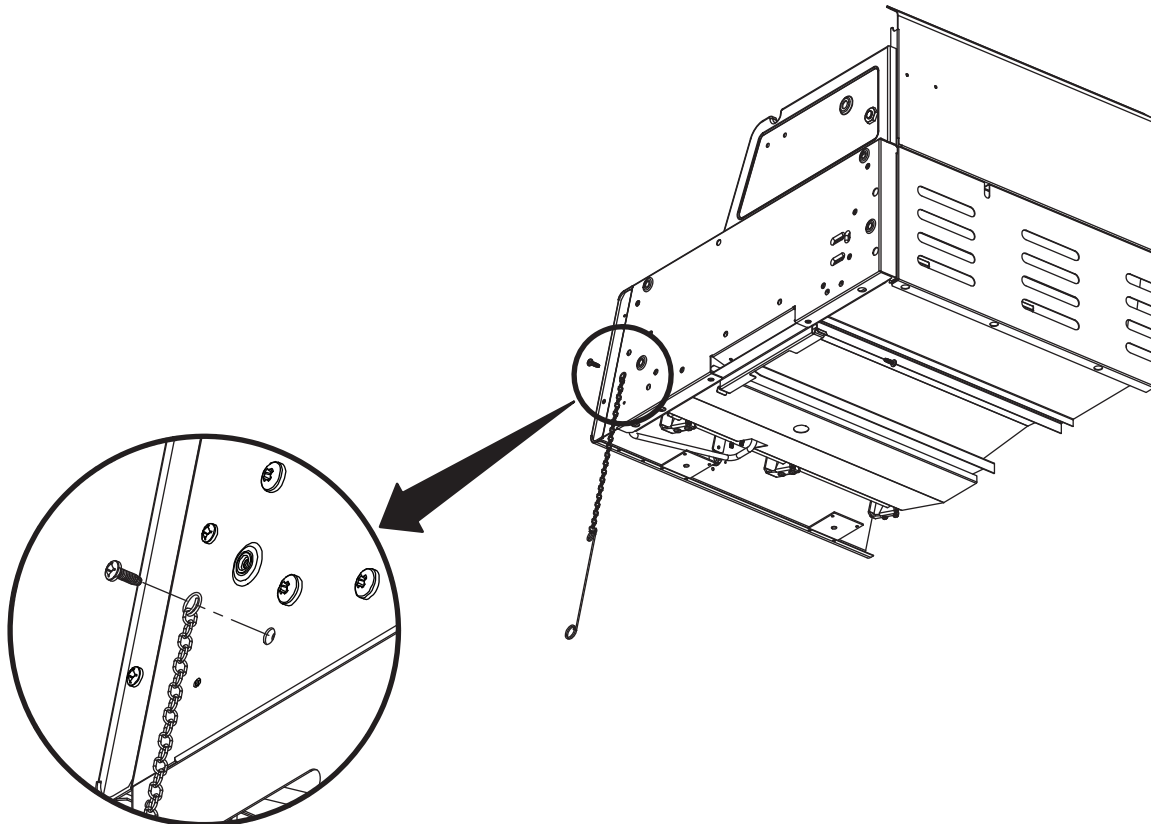


9

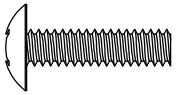


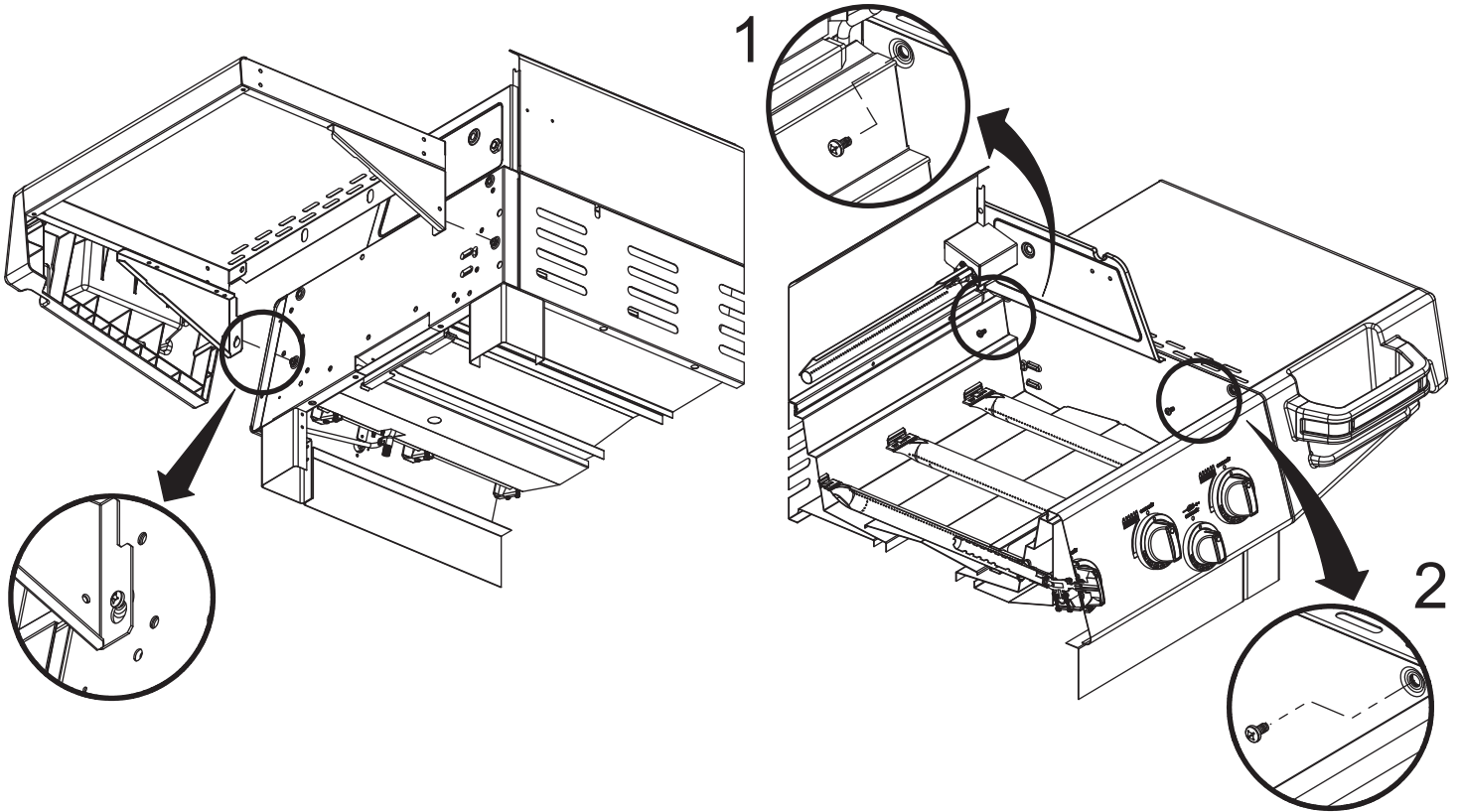
10

(1) 

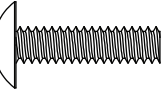


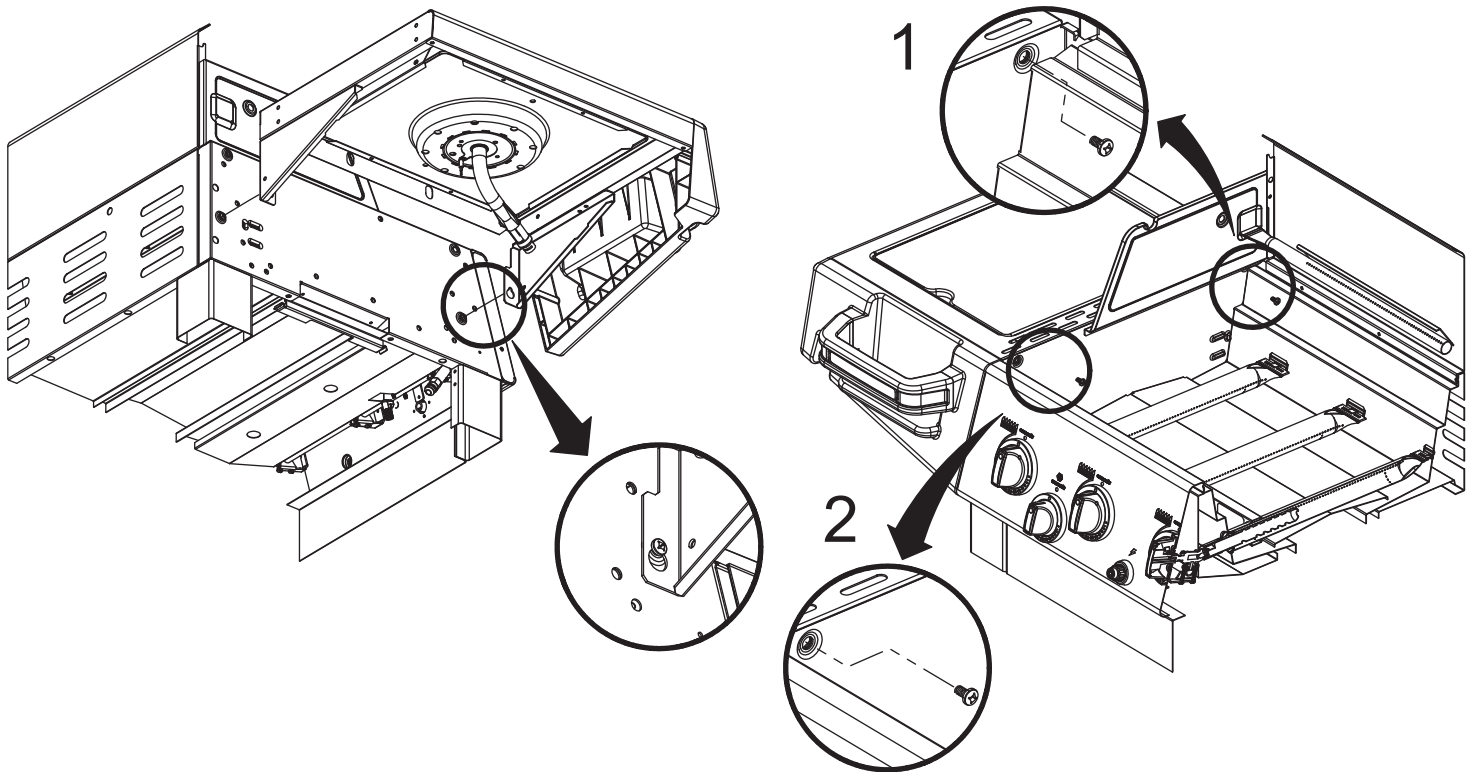
**11**

(4) 



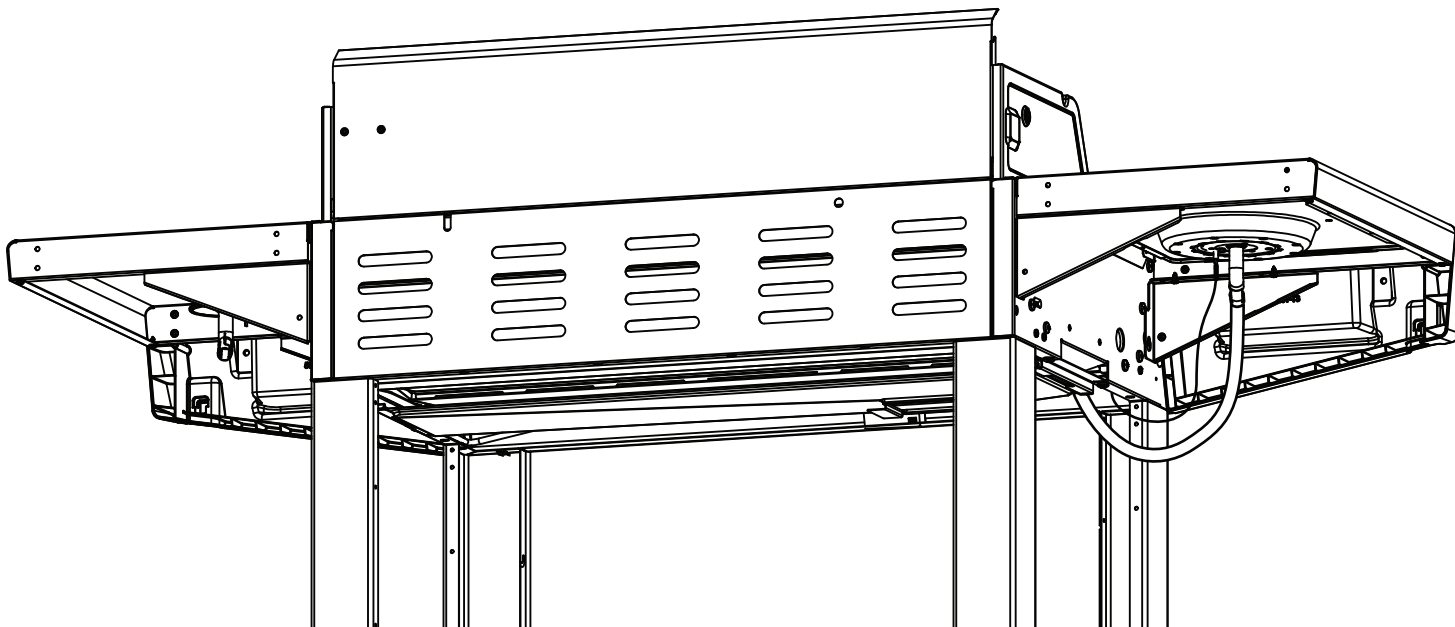
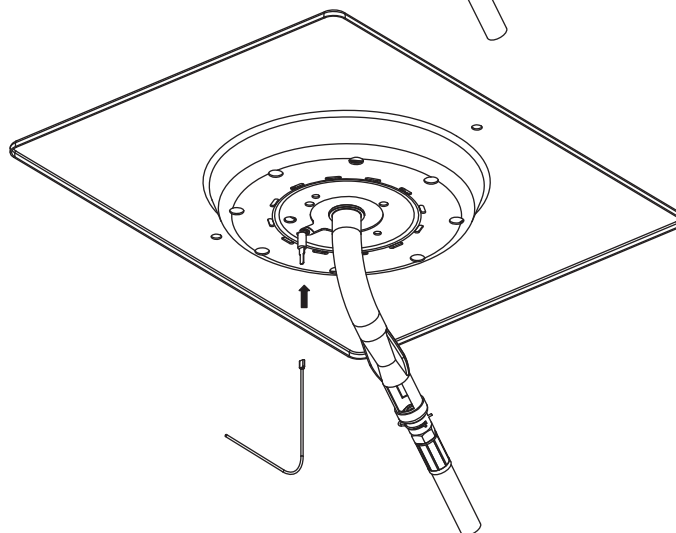
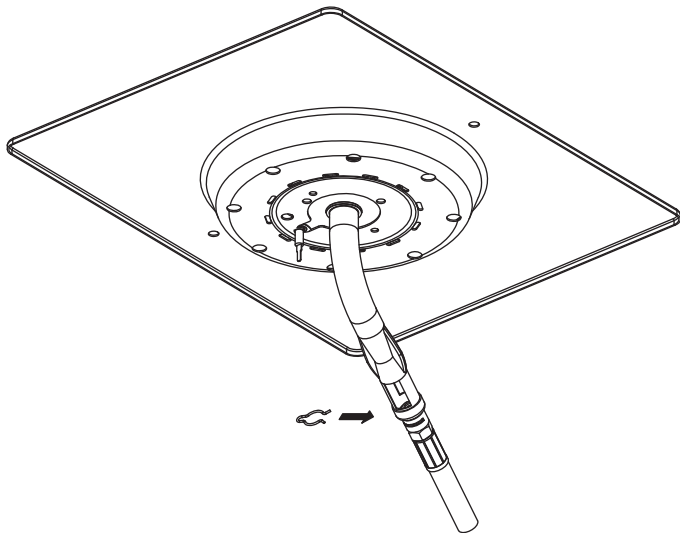
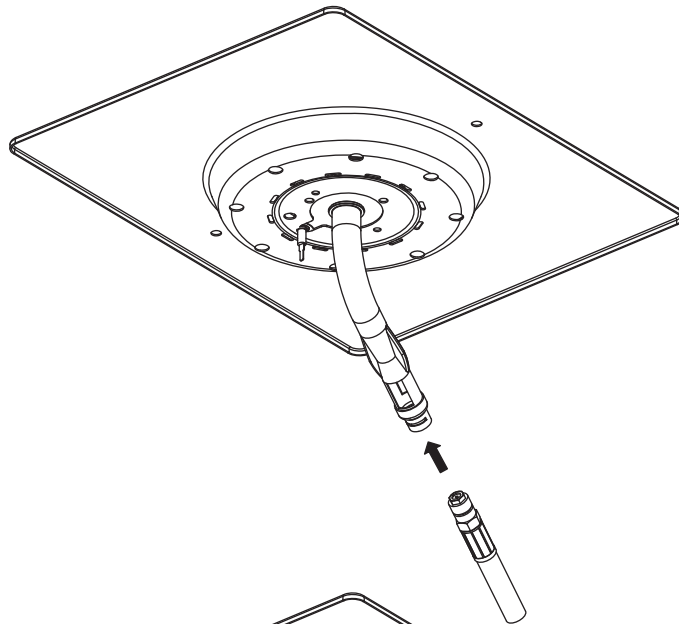
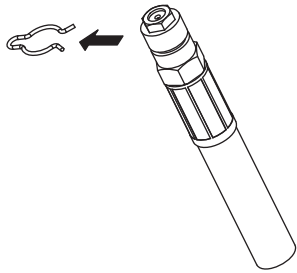
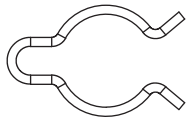
**12**

(4) 

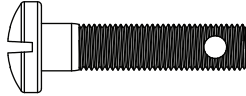
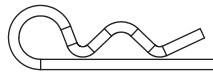


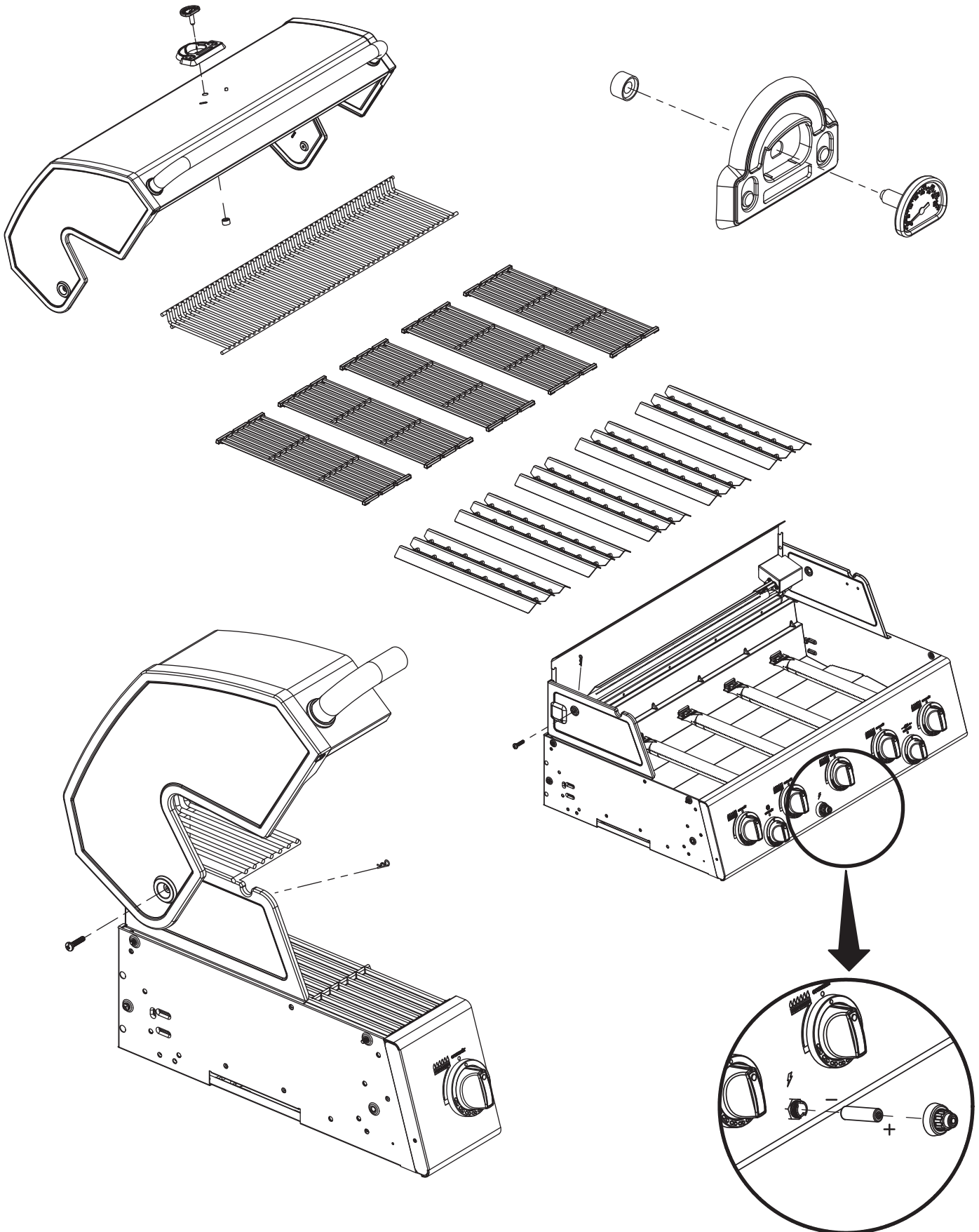
13

(1)

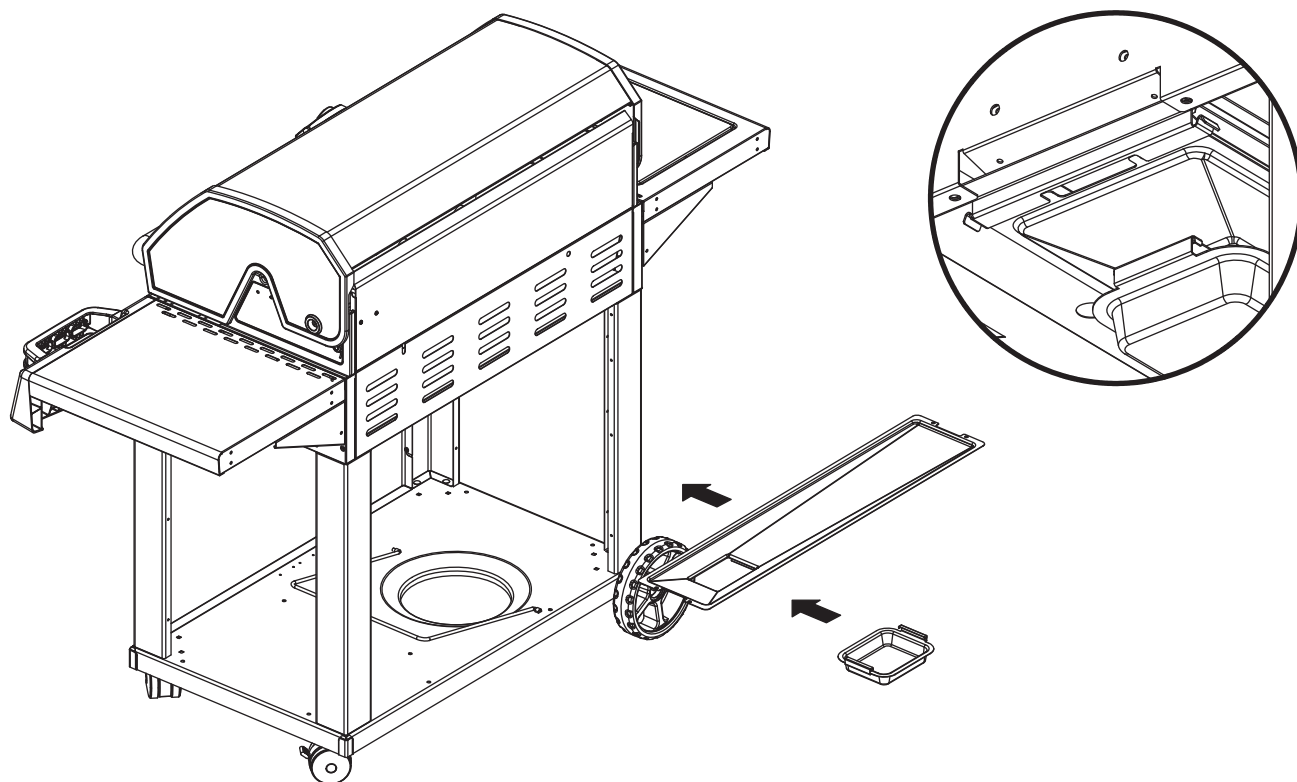


14

(2)  (2) 



15



16

