

ASSEMBLY INSTRUCTIONS

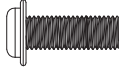
Step 1: Install Casters on Bottom Panel

Align the holes in the casters (AH) and bottom panel (AG). Then insert the M6*16 screw (CC) into the holes shown in Fig.1. Tighten both screws completely.

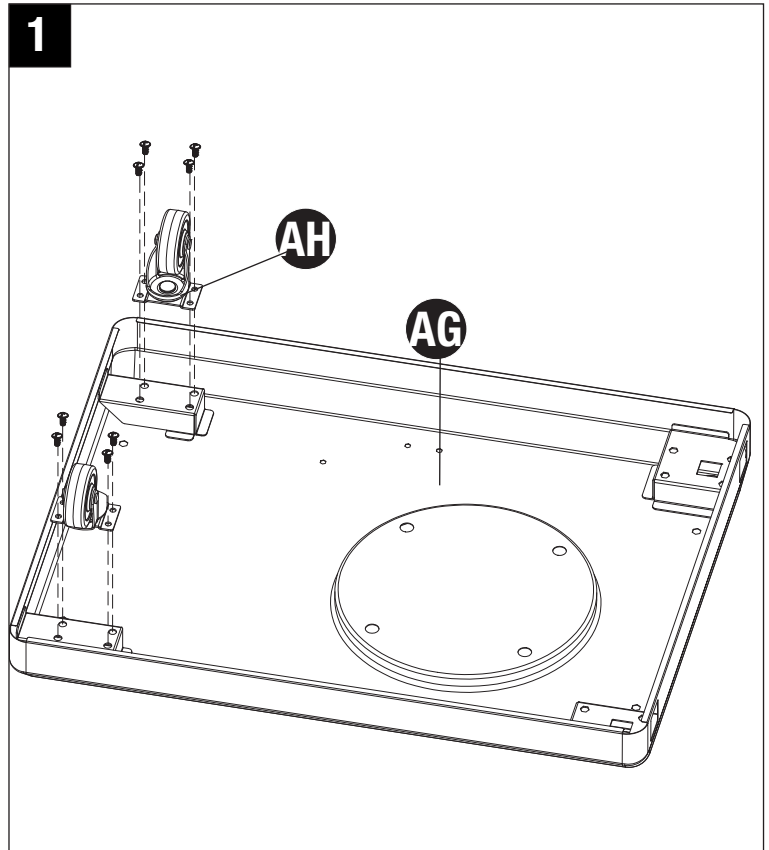
Hardware Used

CC

M6x16
Screw



x 8



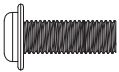
Step 2: Install Locking Casters on Bottom Panel

Align the holes in the locking casters (AI) and bottom panel (AG). Then insert the M6*16 screw (CC) into the holes shown in Fig.2. Tighten both screws completely.

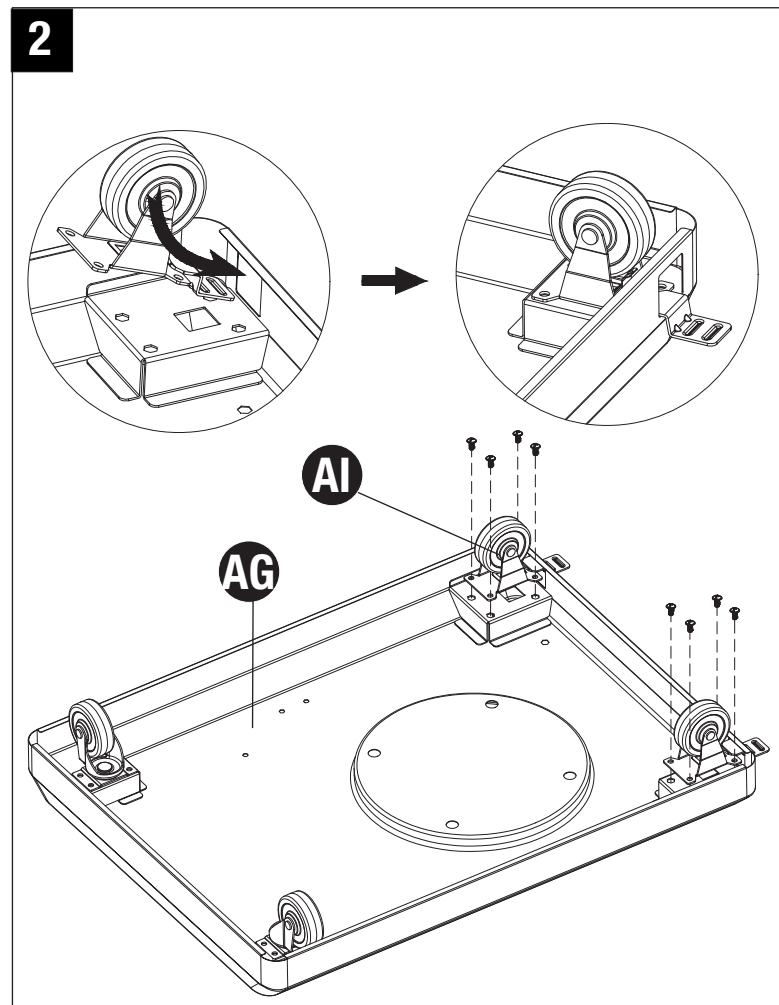
Hardware Used

CC

M6x16
Screw



x 8



ASSEMBLY INSTRUCTIONS

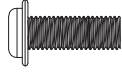
Step 3: Install Left Cart Frame

Align the holes in the left cart frame (U) and bottom panel (AG). Then insert the M6*16 screw (CC) into the holes shown in Fig.3. Tighten both screws completely.

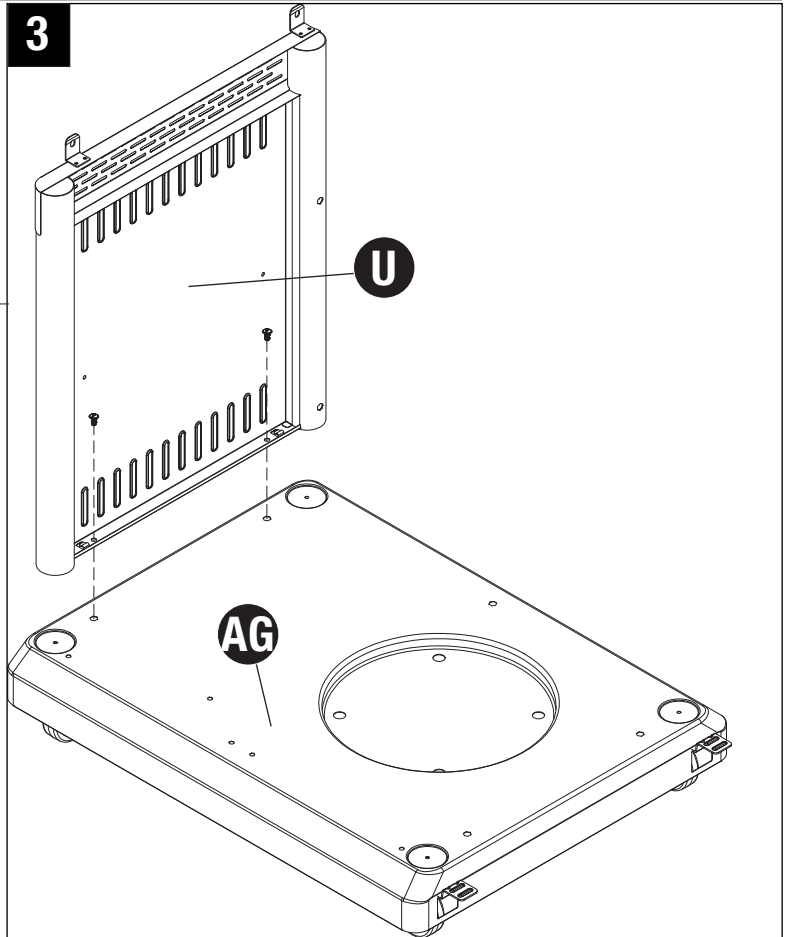
Hardware Used

CC

M6x16
Screw



x 2



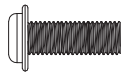
Step 4: Install Right Cart Frame

Align the holes in the right cart frame (X) and bottom panel (AG). Then insert the M6*16 screw (CC) into the holes shown in Fig.4. Tighten both screws completely.

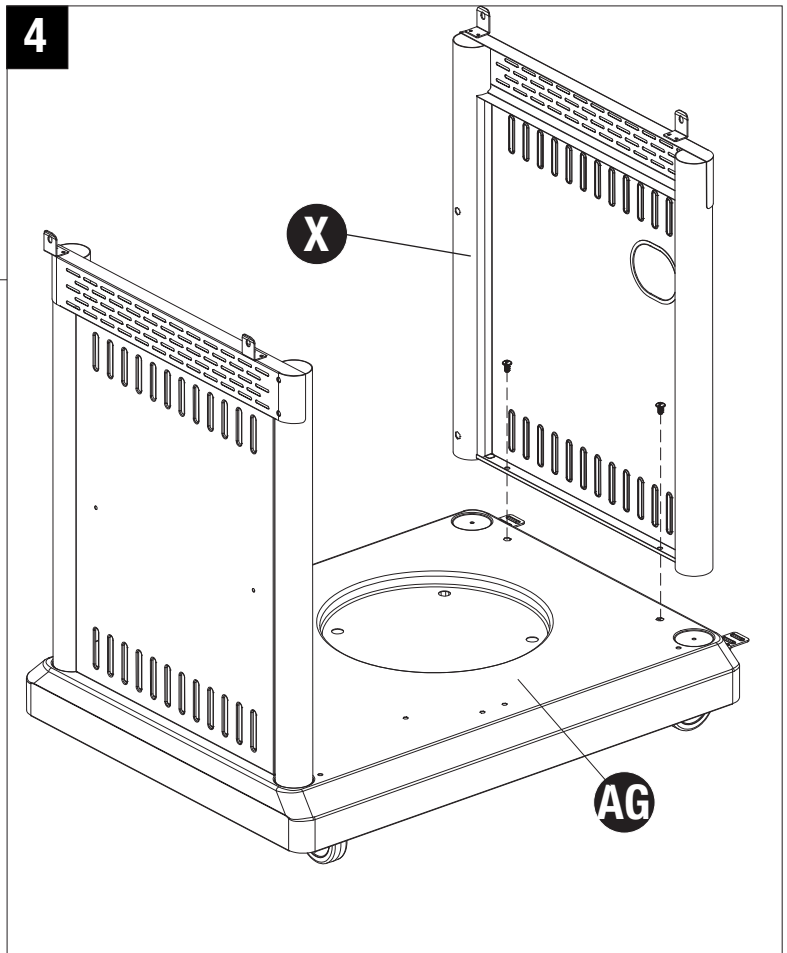
Hardware Used

CC

M6x16
Screw



x 2



ASSEMBLY INSTRUCTIONS

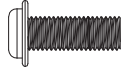
Step 5: Install Back Cart Frame

Align the holes in the back cart frames (Z), left cart frame (U), right cart frame (X) and bottom panel (AG). Then insert the M6*16 screw (CC) into the holes shown in Fig.5. Tighten both screws completely.

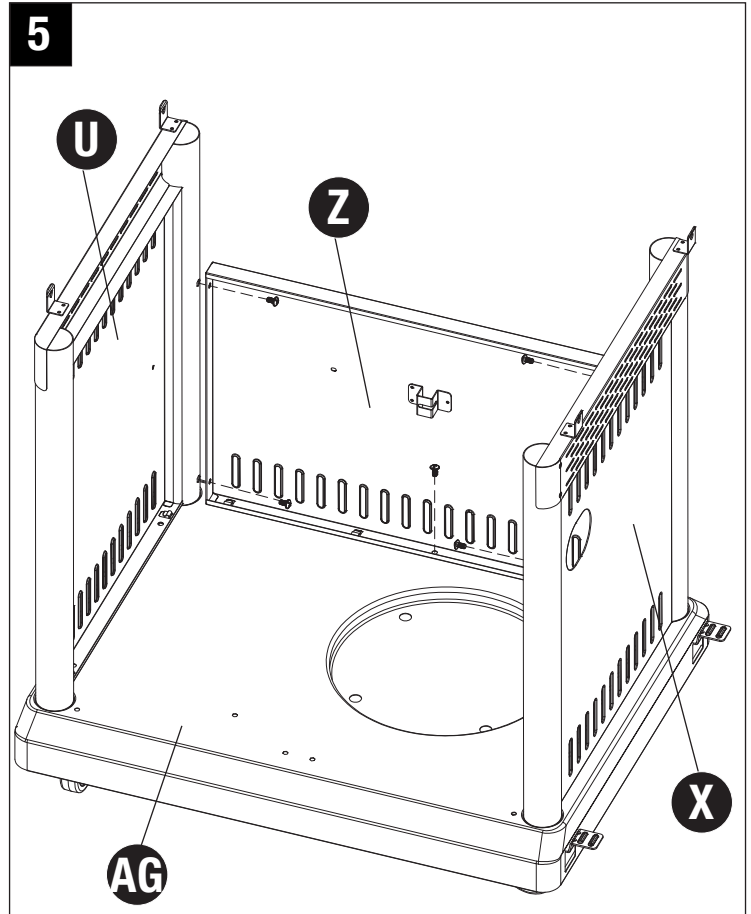
Hardware Used



M6x16
Screw



x 5



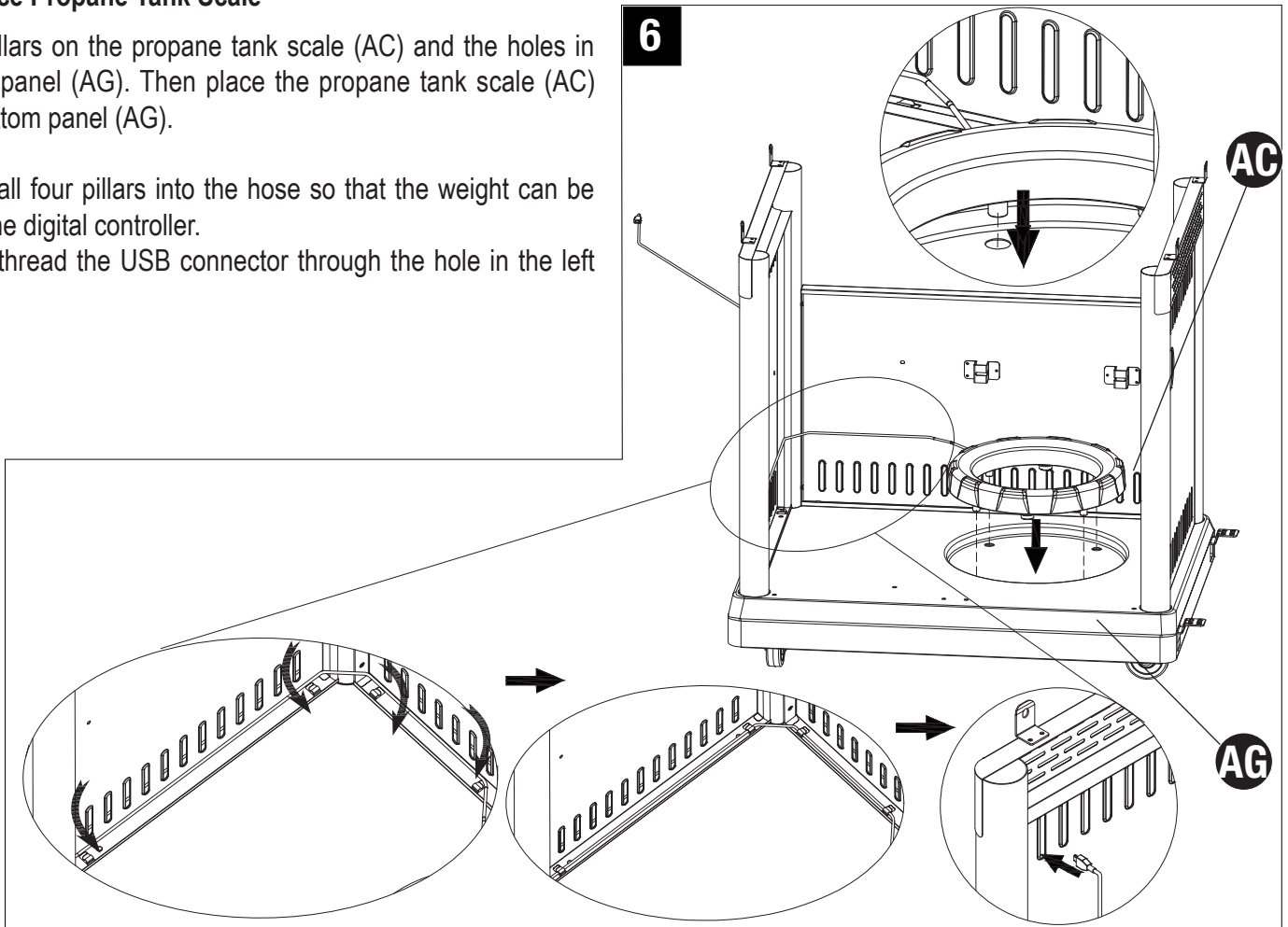
Step 6: Place Propane Tank Scale

Align the pillars on the propane tank scale (AC) and the holes in the bottom panel (AG). Then place the propane tank scale (AC) onto the bottom panel (AG).

NOTE:

Make sure all four pillars into the hose so that the weight can be shown on the digital controller.

Make sure thread the USB connector through the hole in the left cart frame.



ASSEMBLY INSTRUCTIONS

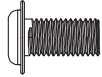
Step 7: Attach Upper and Lower Magnet

Attach the upper magnet (AJ) onto upper front panel (V) and attach lower magnet (AF) onto the bottom panel (AG).

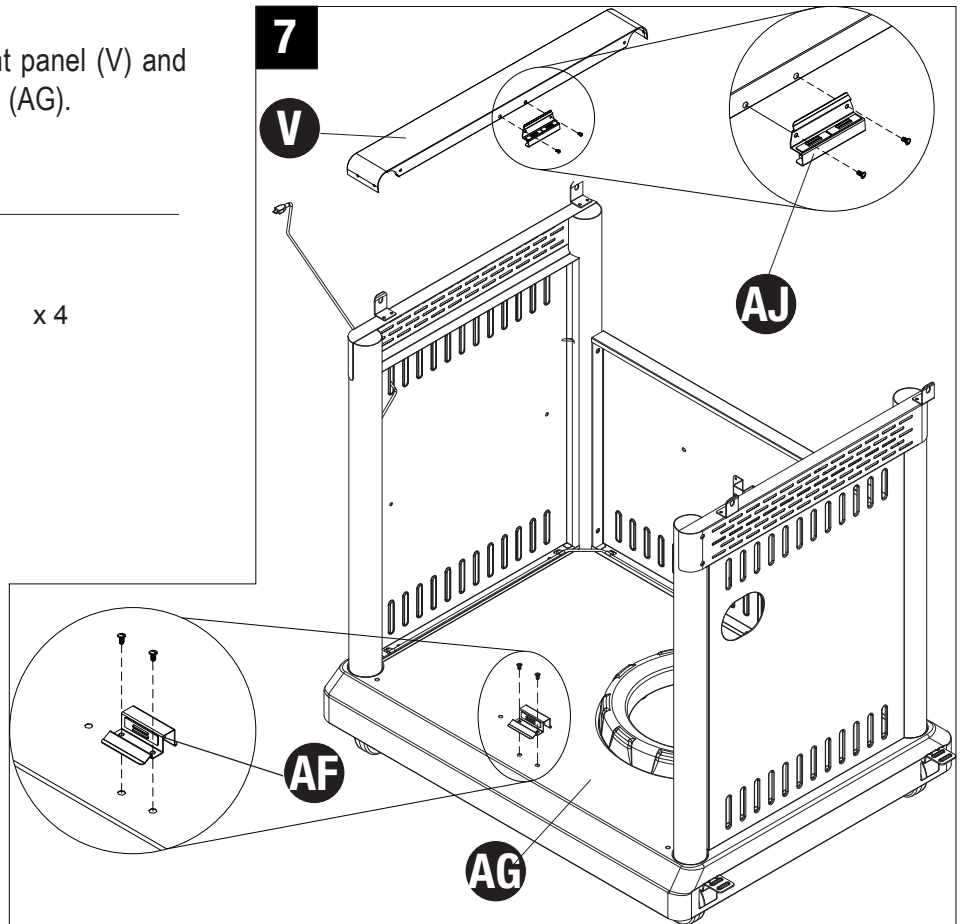
Hardware Used

AA

M4x10
Screw



x 4



Step 8: Attach Center Table

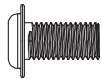
Attach center table (Y) onto the left cart frame (U), back cart frame (Z) and bottom panel (AG).

NOTE: Unfold the center table support in first.

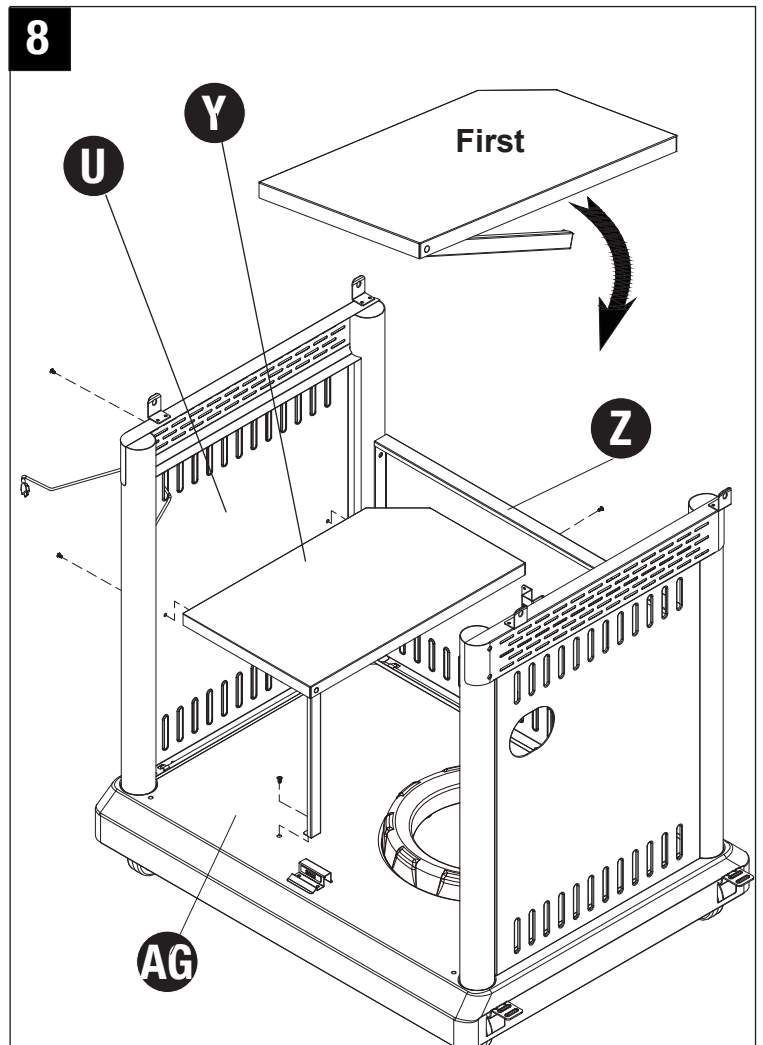
Hardware Used

AA

M4x10
Screw



x 4



ASSEMBLY INSTRUCTIONS

Step 9: Attach LP Gas Tank Retainer Wire

Attach LP Gas Tank Retainer Wire (W) onto the back cart frame (Z) with two Ø1.4 pins (HH).

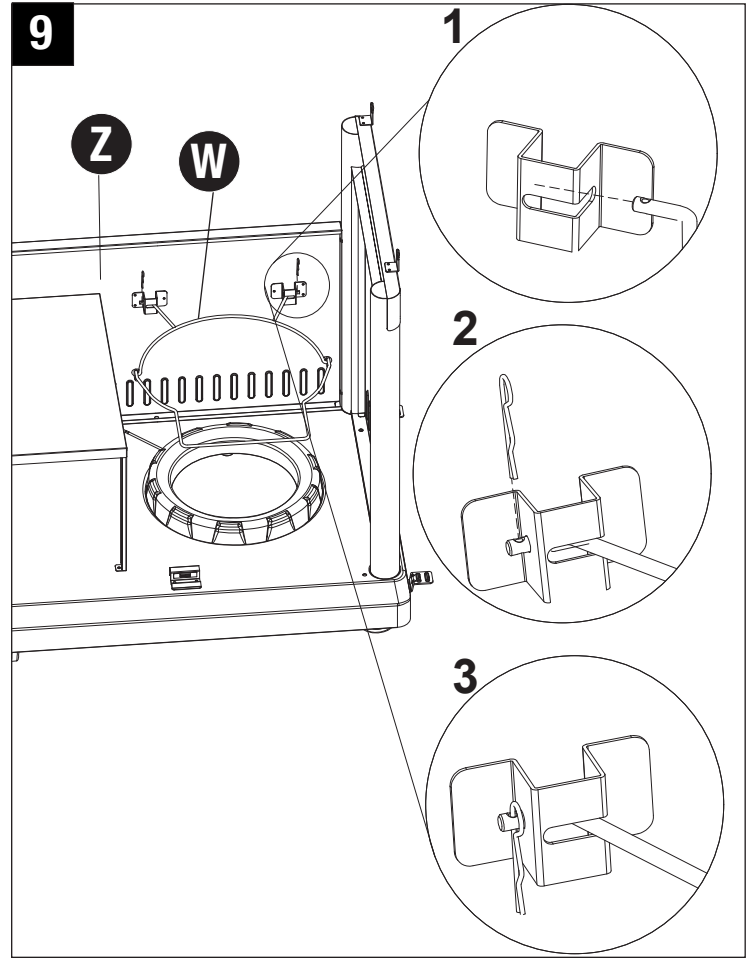
Hardware Used



Ø1.4
Cotter Pin



x 2



Step 10: Attach Upper Front Panel

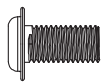
Attach the upper front panel (V) with four M4x10 screws (AA).

NOTE: Slide the upper front panel in first and align the holes in the left cart frame, right cart frame and upper front panel. Then insert the four M4x10 screws into the holes shown in Fig.(10).

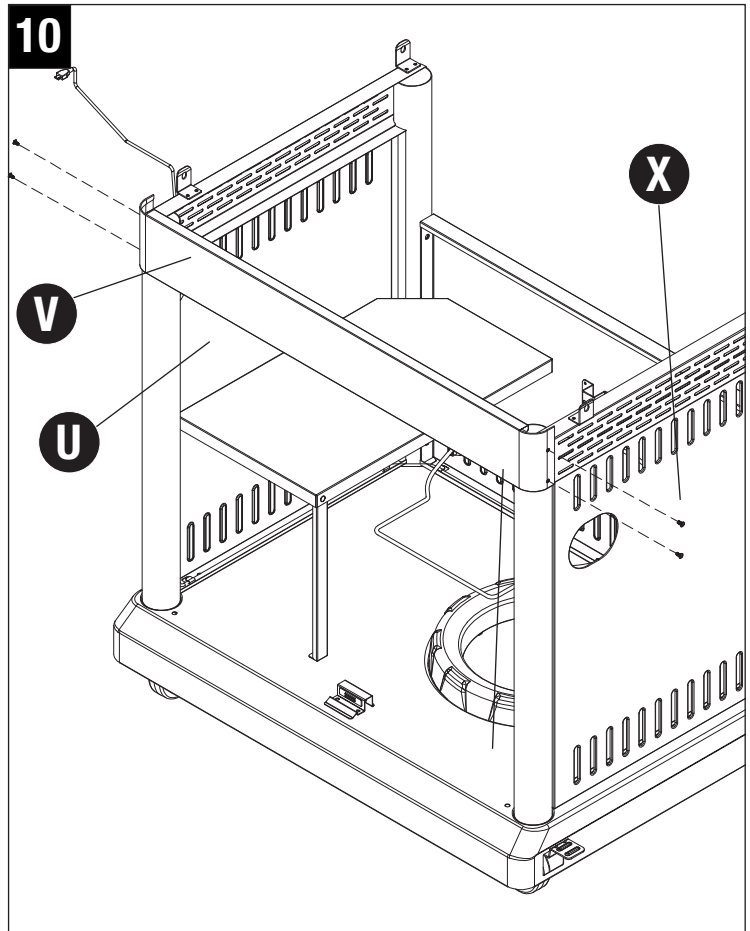
Hardware Used



M4x10
Screw



x 4



ASSEMBLY INSTRUCTIONS

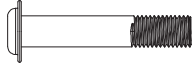
Step 11: Attach Door Handles

Attach the door handles (AA) onto the left door (AB) and right door (AD).

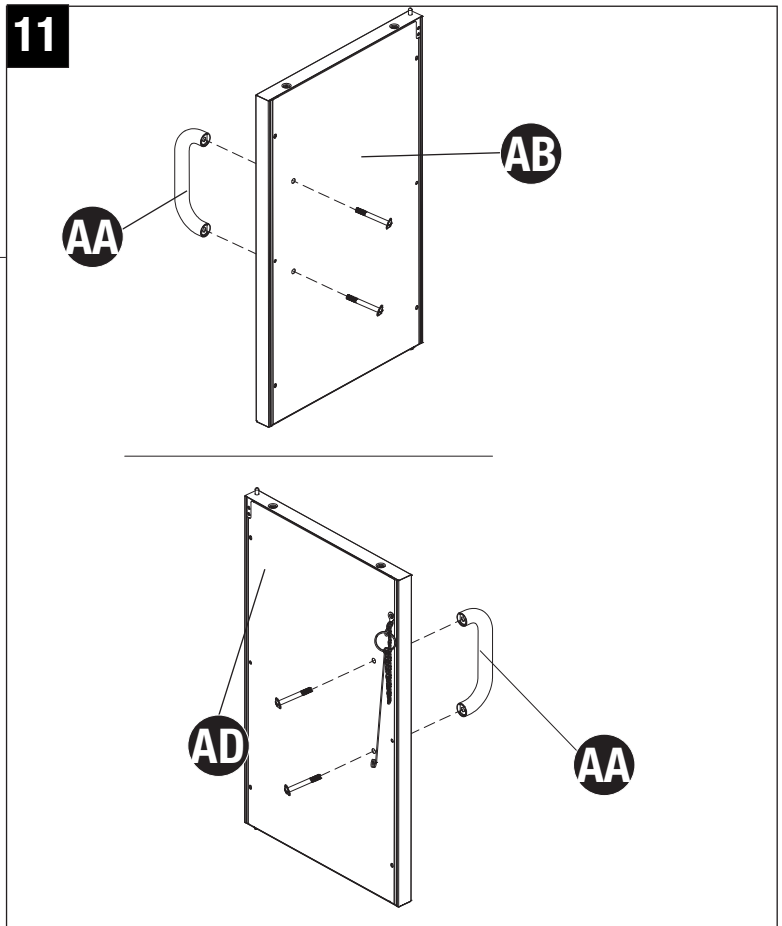
Hardware Used

BB

M4x35
Screw

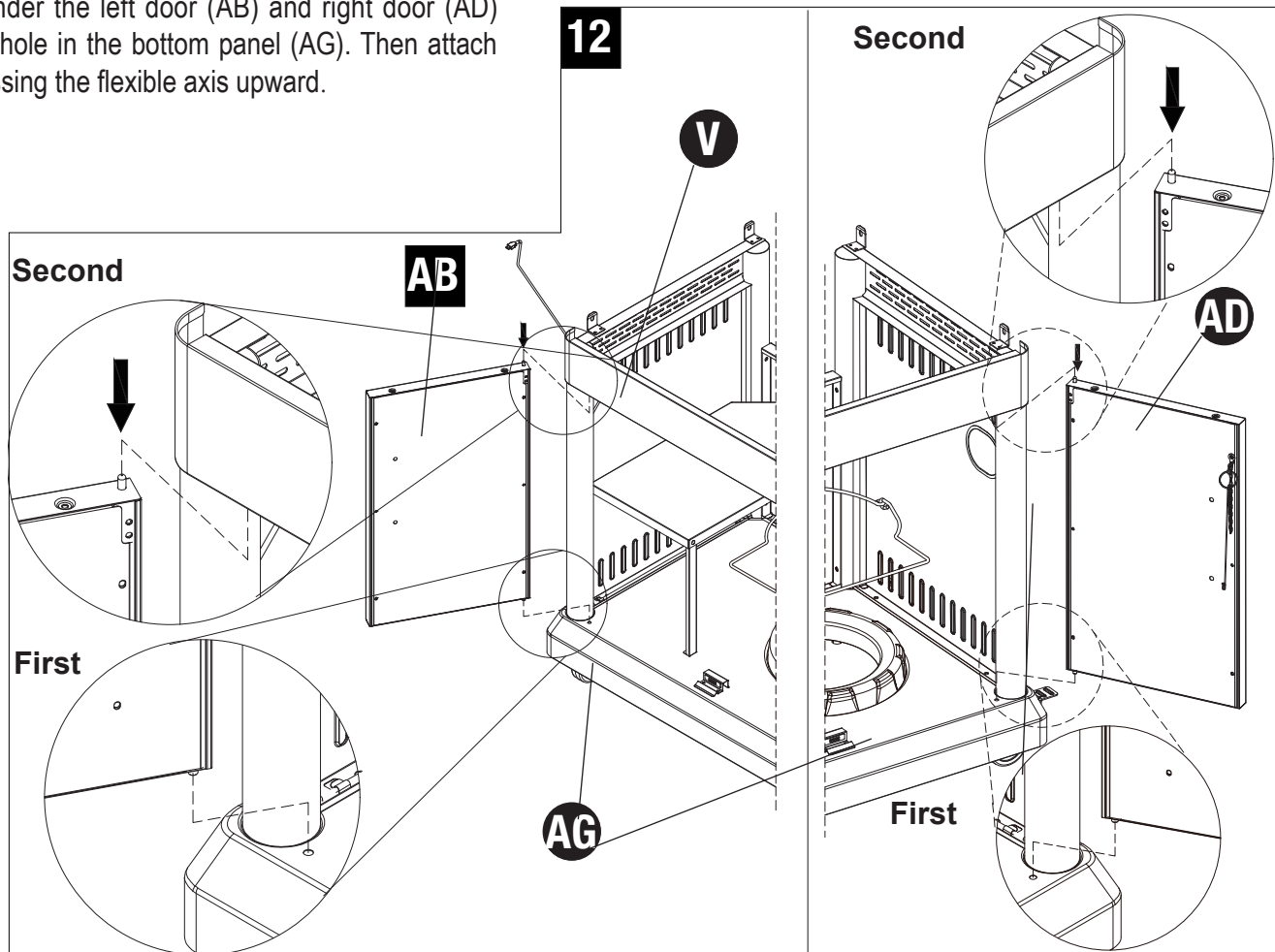


x 4



Step 12: Attach Doors

Put the pillars under the left door (AB) and right door (AD) into the relevant hole in the bottom panel (AG). Then attach the doors by pressing the flexible axis upward.



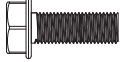
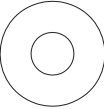
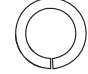
ASSEMBLY INSTRUCTIONS

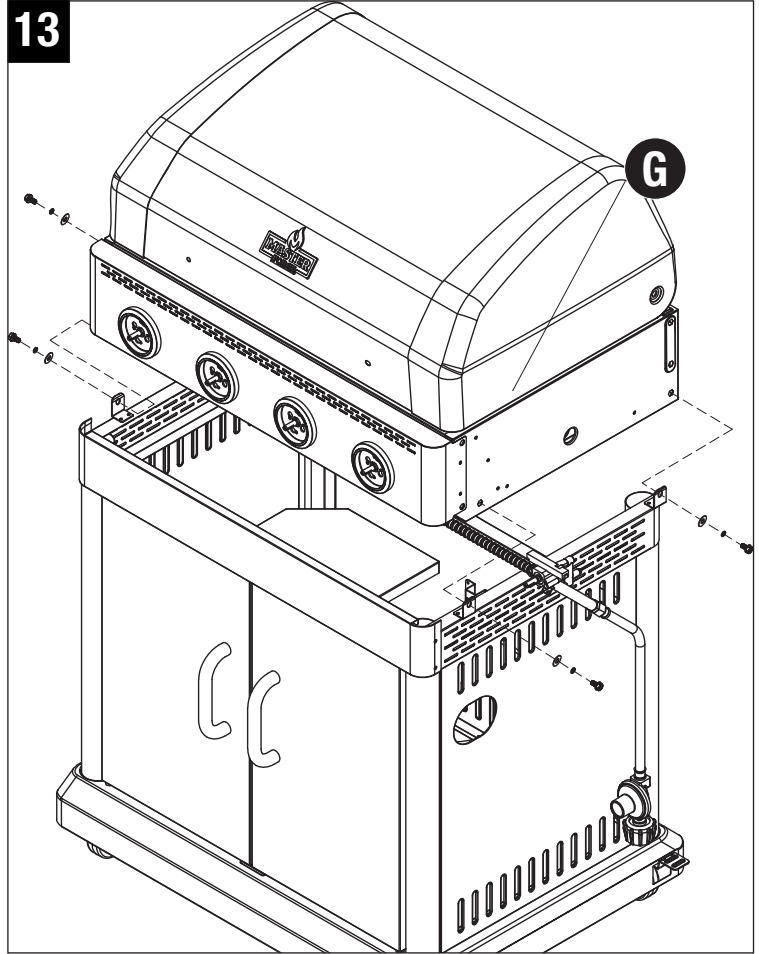
Step 13: Attach Grill Body Assembly

Attach the grill body assembly (G) with four M6x16 screws (DD), Ø16 washer (FF) and Ø6 lock washer (GG).

NOTE: Two people are needed to perform this step.

Hardware Used

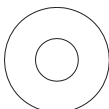
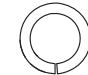

DD	M6x16 Screw		x 4
FF	Ø16 Washer		x 4
GG	Ø6 Lock Washer		x 4

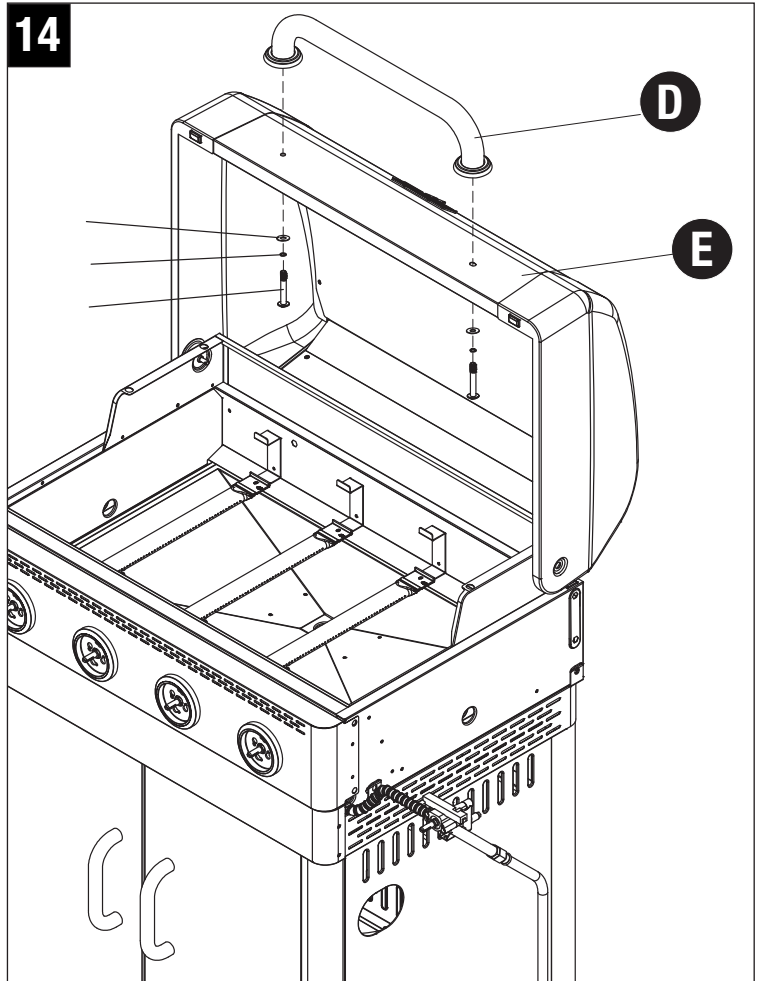


Step 14: Attach Lid Handle

Attach the lid handle (D) to the lid (E) with four M6x35 screws (II), Ø16 washer (FF) and Ø6 lock washer (GG).

Hardware Used

FF	Ø16 Washer		x 2
GG	Ø6 Lock Washer		x 2
II	M6x35 Screw		x 2



ASSEMBLY INSTRUCTIONS

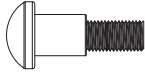
Step 15: Attach Screws and Batteries

Attach the three screws (EE) to the left side shelf (J).
Attach the three AA batteries (AK) into the digital controller (K).

Hardware Used

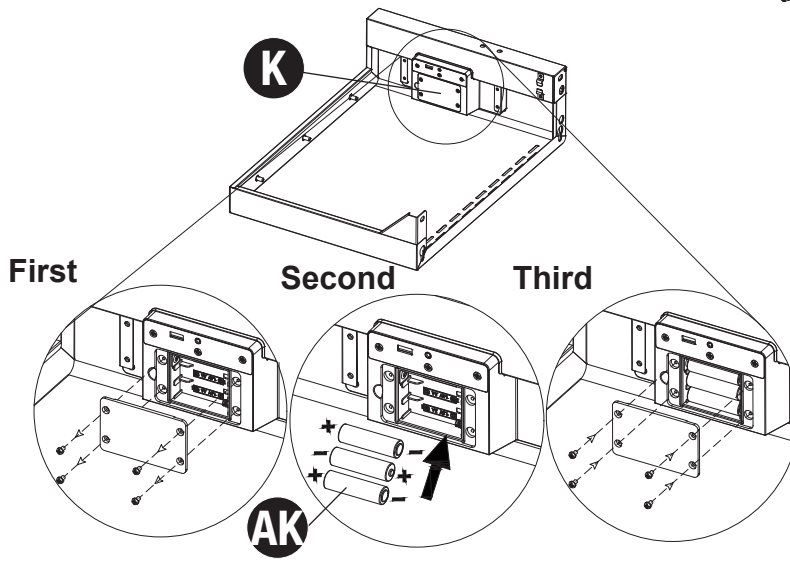
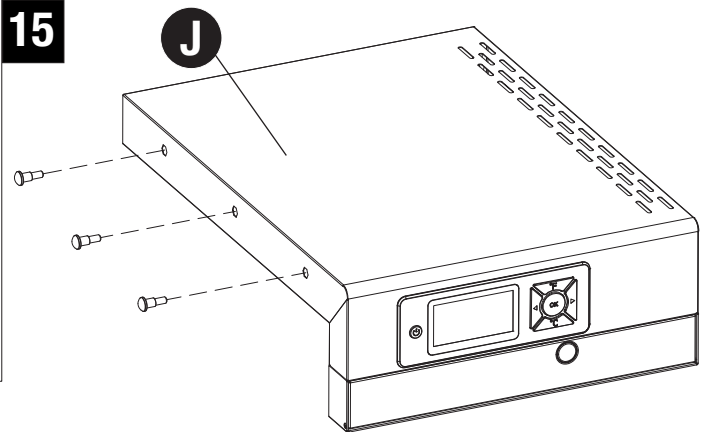
EE

M6x22
Screw



x 3

15



Step 16: Attach Left Side Shelf

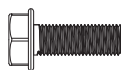
Attach the left side shelf (J) with four M6x16 screws (DD)

NOTE: Open the front door of the digital display temperature controller. Insert two screws into the upper holes with leaving 5 mm threads exposed. Then slide the left side shelf onto the bolts and insert the other two screws into the lower holes shown in Fig.16. Tighten all screws completely.

Hardware Used

DD

M6x16
Screw

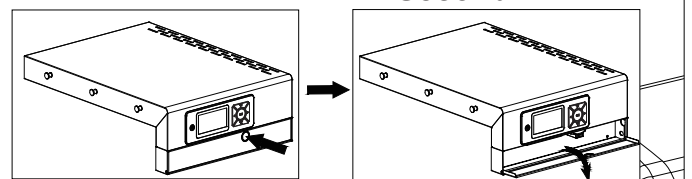


x 4

16

First

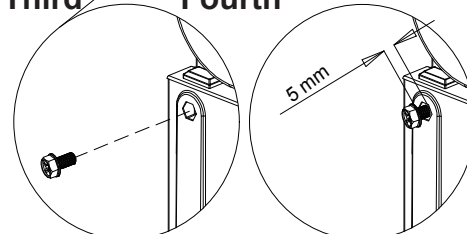
Second



J

Third

Fourth



ASSEMBLY INSTRUCTIONS

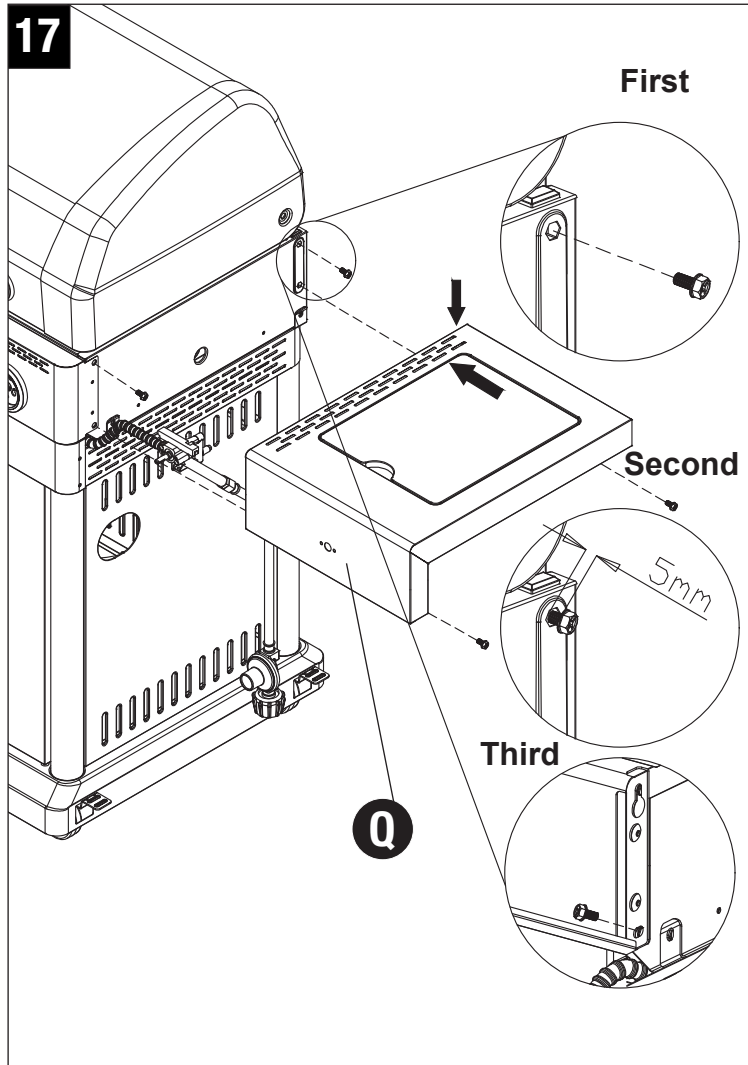
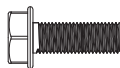
Step 17: Attach Right Side Shelf

Attach the right side shelf(Q) with four M6x16 screws (DD)

NOTE: Insert two screws into the upper holes with leaving 5 mm threads exposed. Then slide the right side shelf onto the bolts and insert the other two screws into the lower holes. Tighten all screws completely.

Hardware Used

DD M6x16 Screw x 4

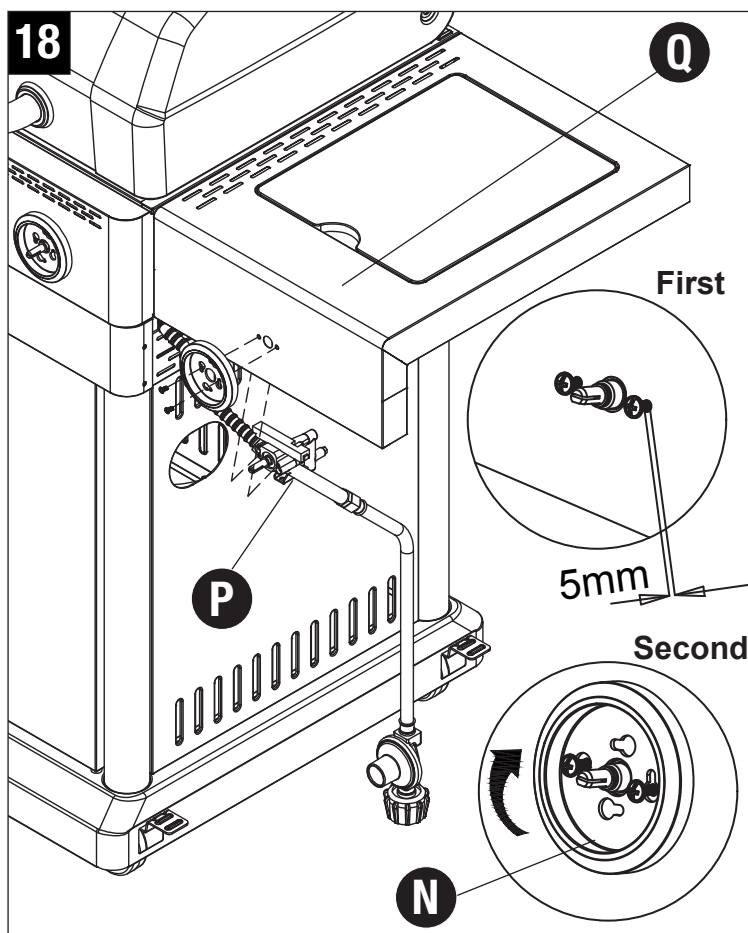
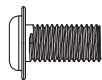


Step 18: Install Side Burner Valve and Control Knob Bezel on Right Side Shelf.

Install the regulator and hose assembly (P) and control knob bezel (N) with two M4x10 screws (AA).

Hardware Used

AA M4x10 Screw x 2



ASSEMBLY INSTRUCTIONS

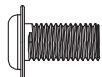
Step 19: Attach Side Burner

Attach the side burner (S) to the right side shelf (Q) by using two M4x10 screw (AA).

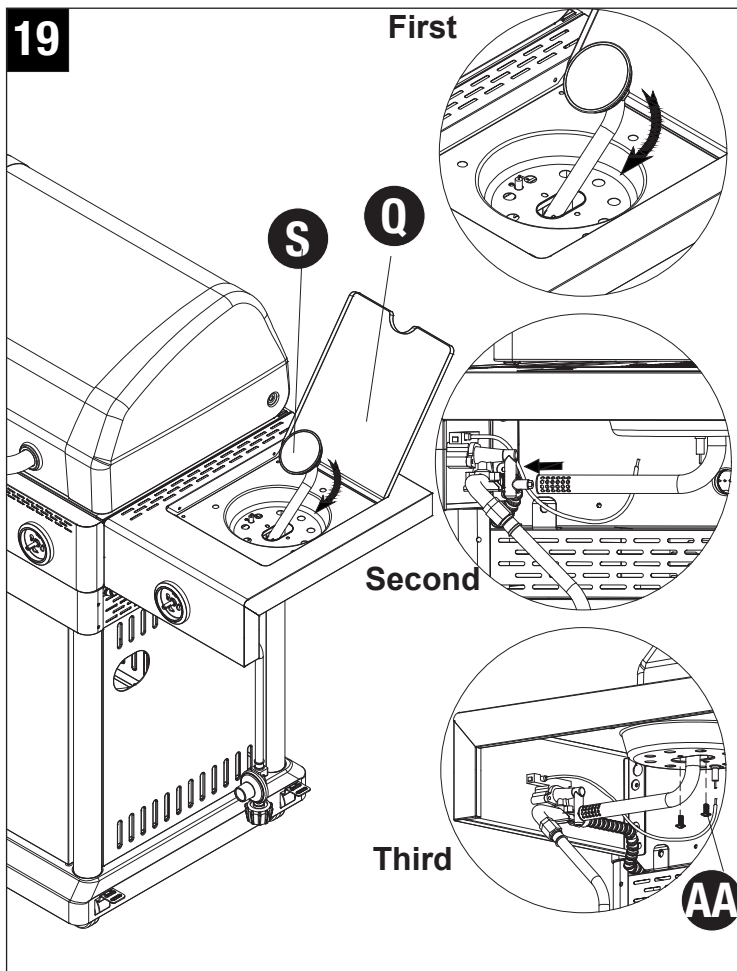
Hardware Used

AA

M4x10
Screw



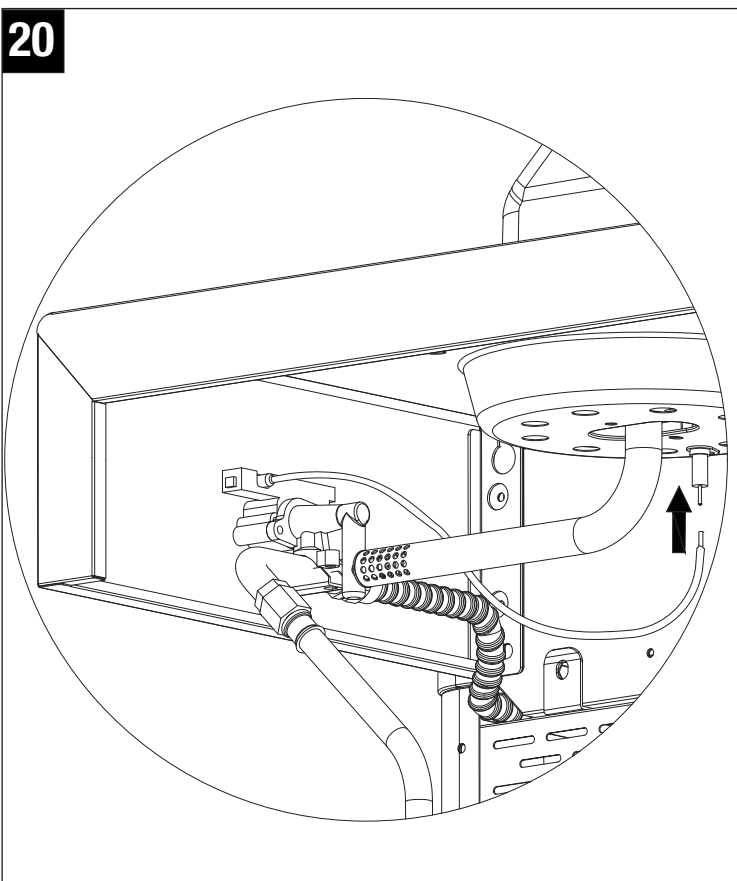
x 2



Step 20: Connect Side Burner Ignition Wire

Connect the side burner ignition wire as Fig. (20).

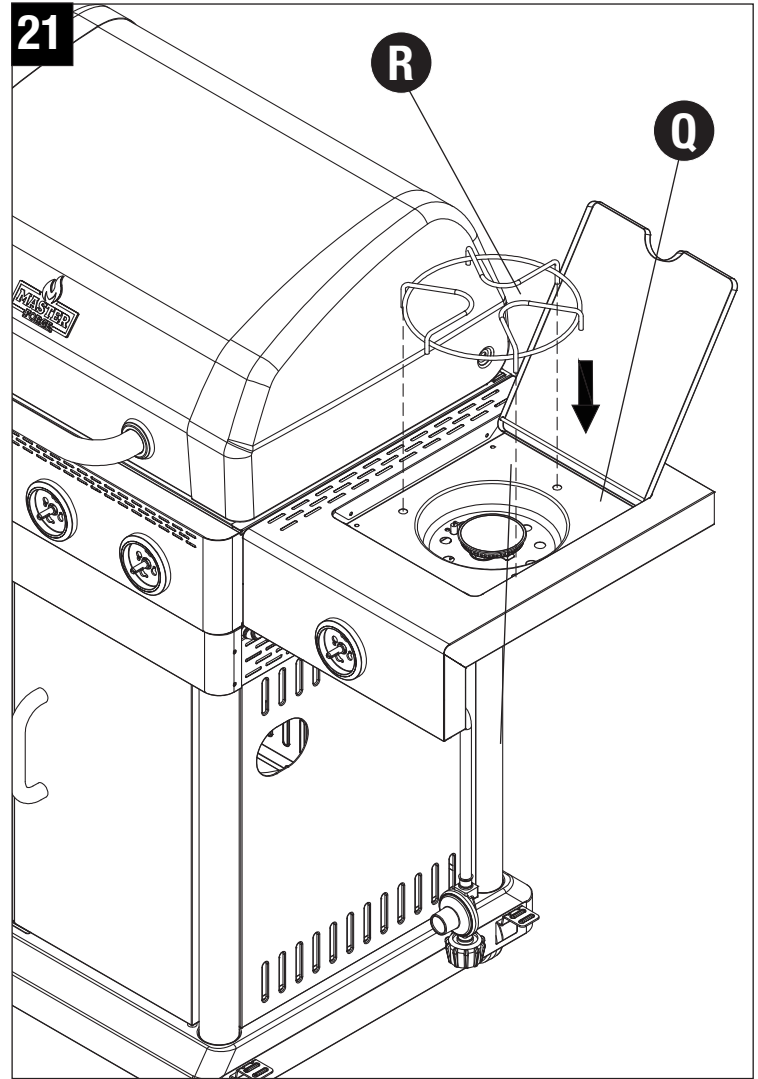
NOTE: Failure to plug the wire to the ignitor electrode will result in no ignition.



ASSEMBLY INSTRUCTIONS

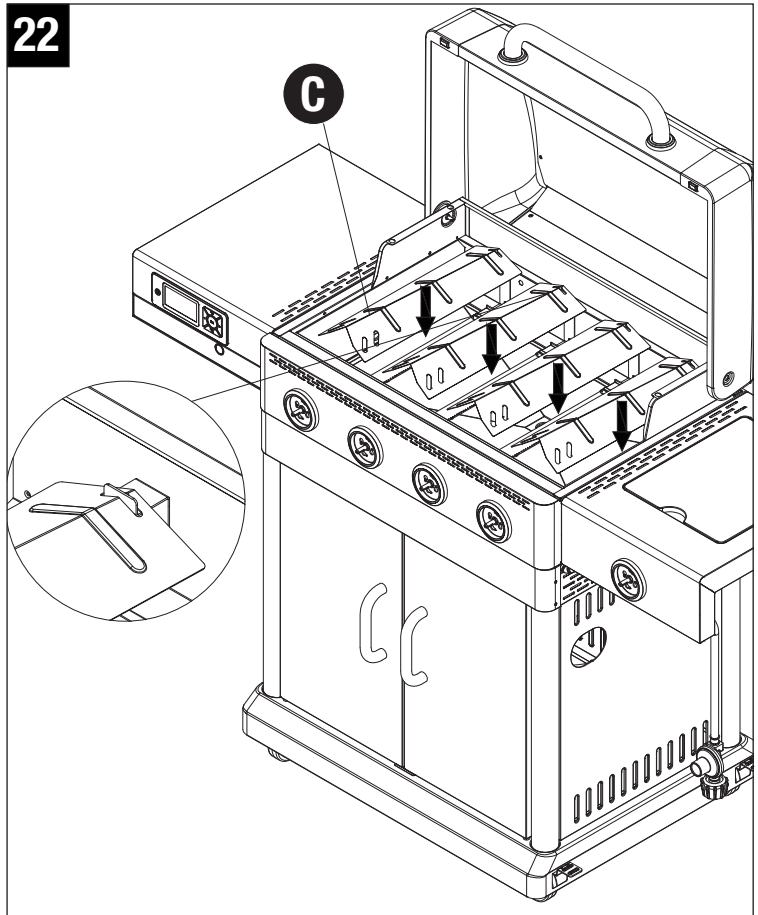
Step 21: Attach Side burner Grid

Put the side burner grid (R) onto the right side shelf (Q) by aligning the legs with the slots.



Step 22: Attach Heat Plates

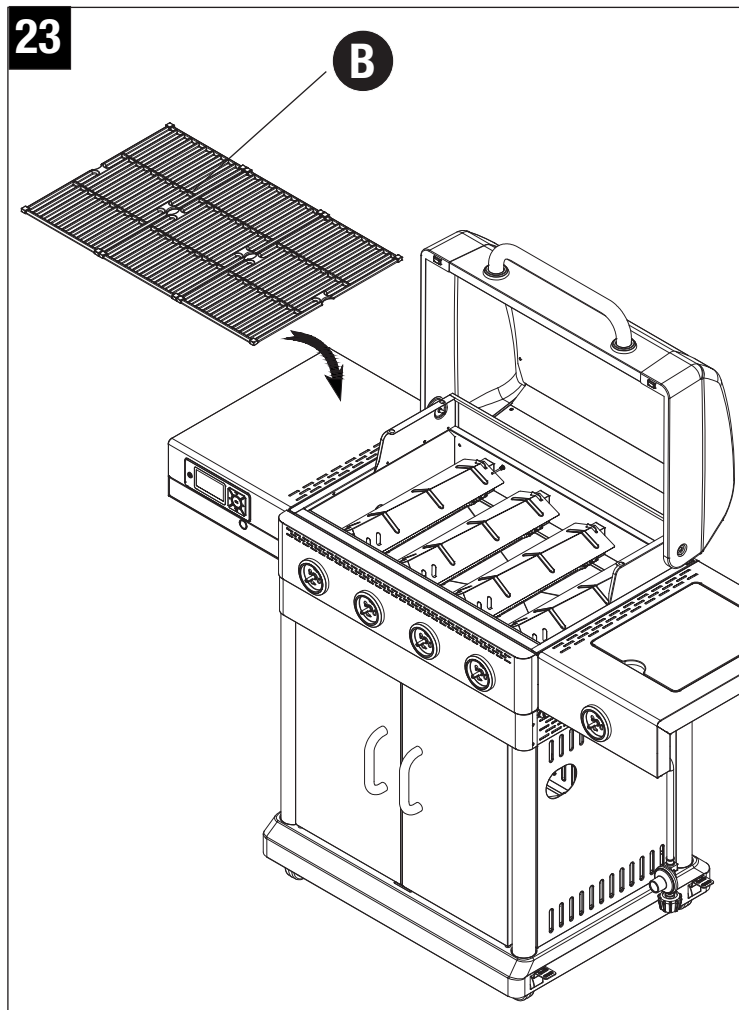
Put the heat plates (C) into place.



ASSEMBLY INSTRUCTIONS

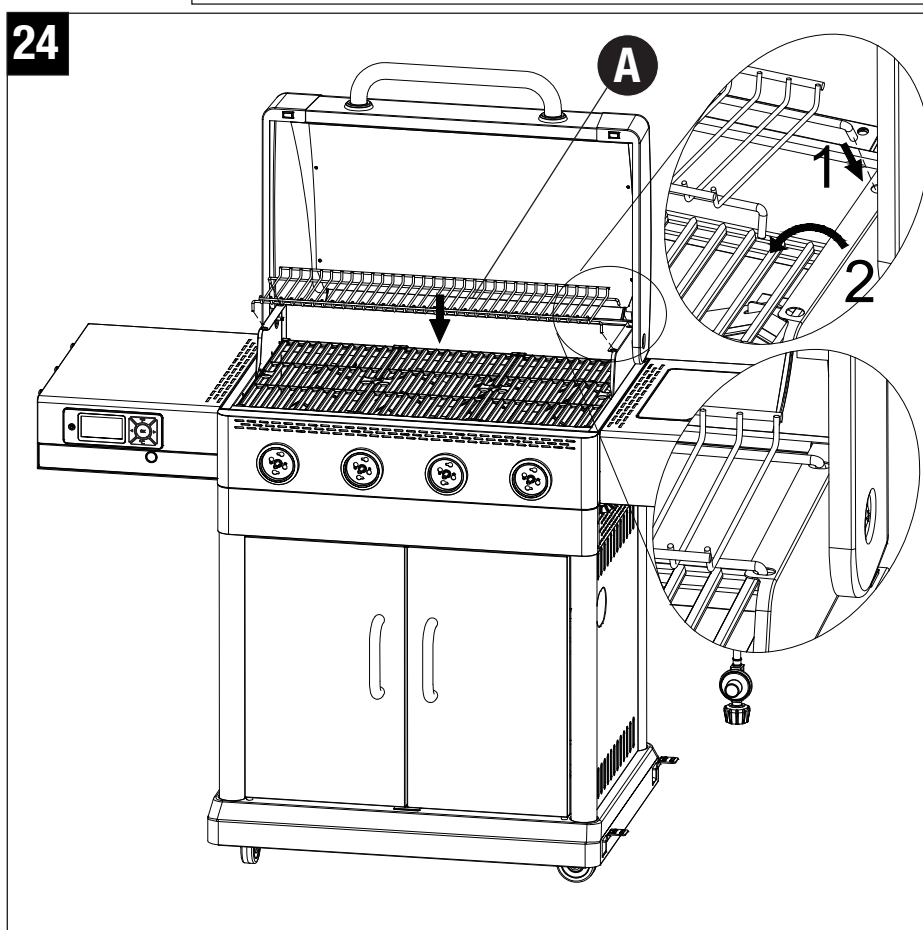
Step 23: Attach Cooking Grid

Put the cooking grids (B) into place.



Step 24: Attach Warming Rack

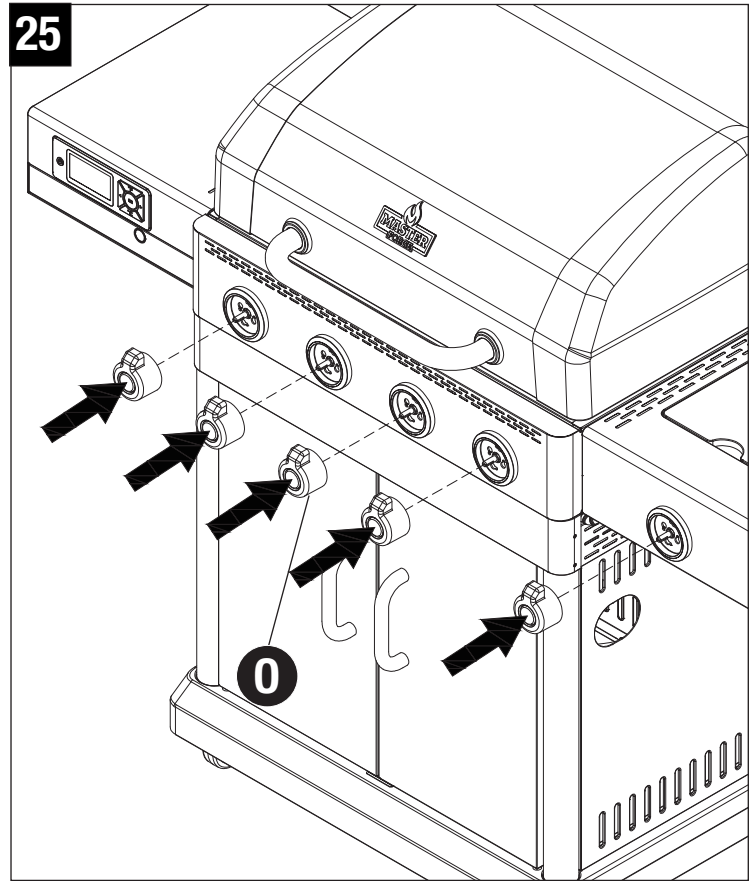
Put the warming rack (A) into place.



ASSEMBLY INSTRUCTIONS

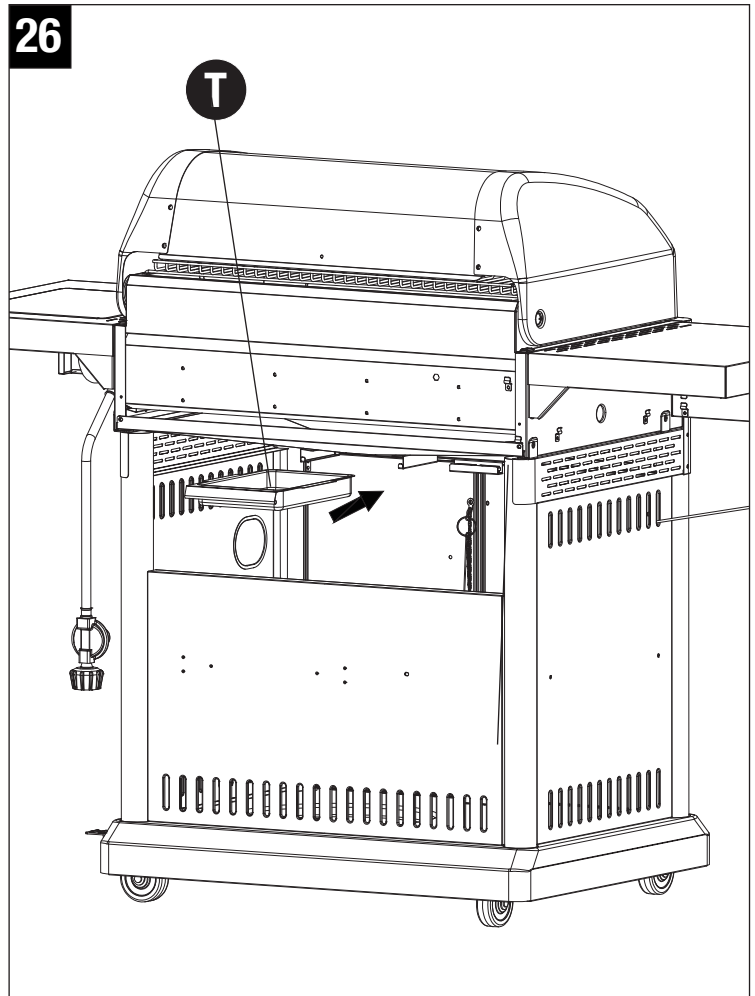
Step 25: Attach Control Knobs

Push five control knobs (O) onto the stem of the valve.



Step 26: Attach Grease Cup

Insert the grease cup (T) into the grill body.



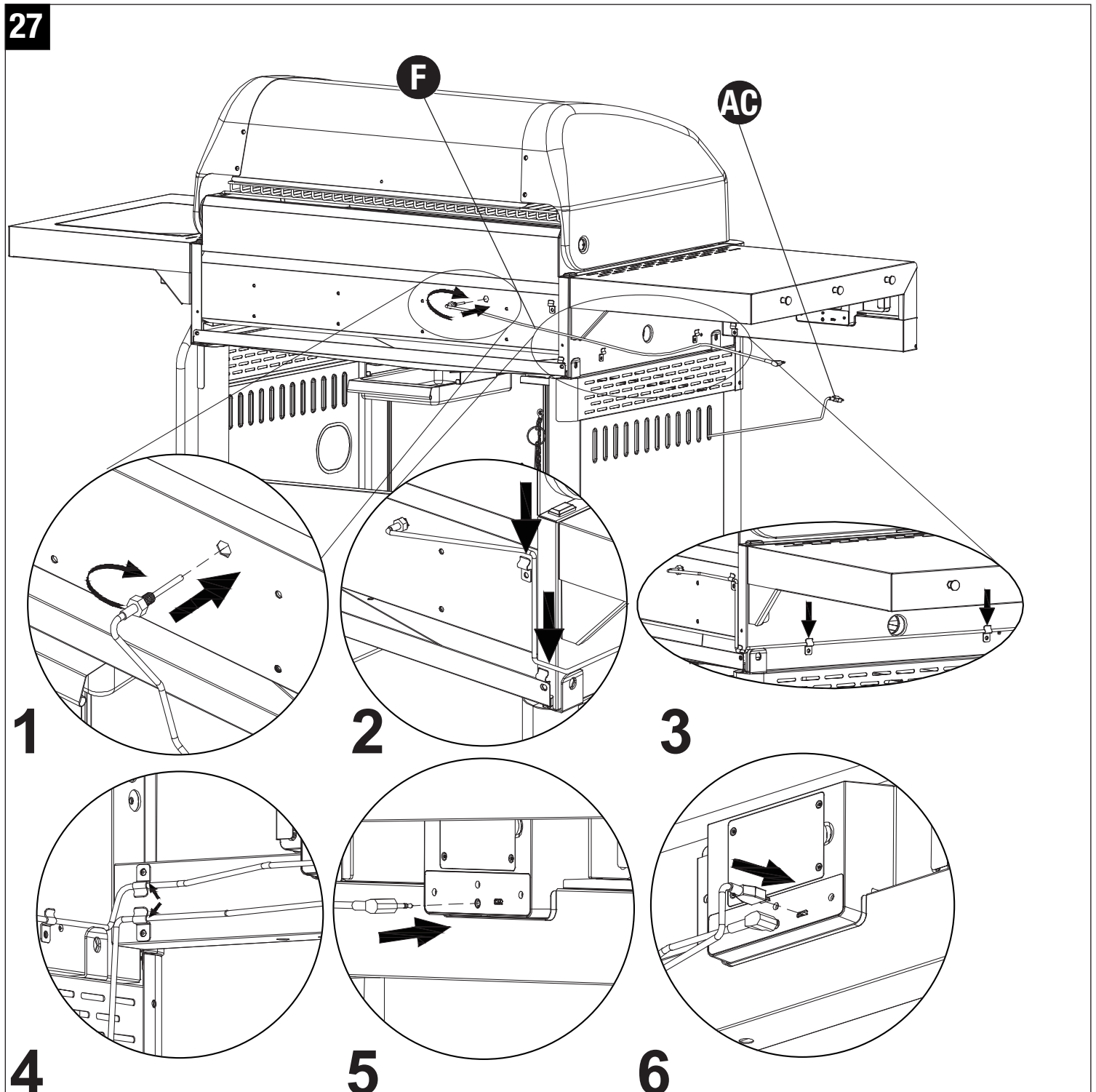
ASSEMBLY INSTRUCTIONS

Step 27: Connect Back Ambient Probe and USB

Connector of Propane Tank Scale

Insert the end of back ambient probe into the hole in the back of grill body. Then insert the front of back ambient probe and usb connector of propane tank scale into the digital controller.

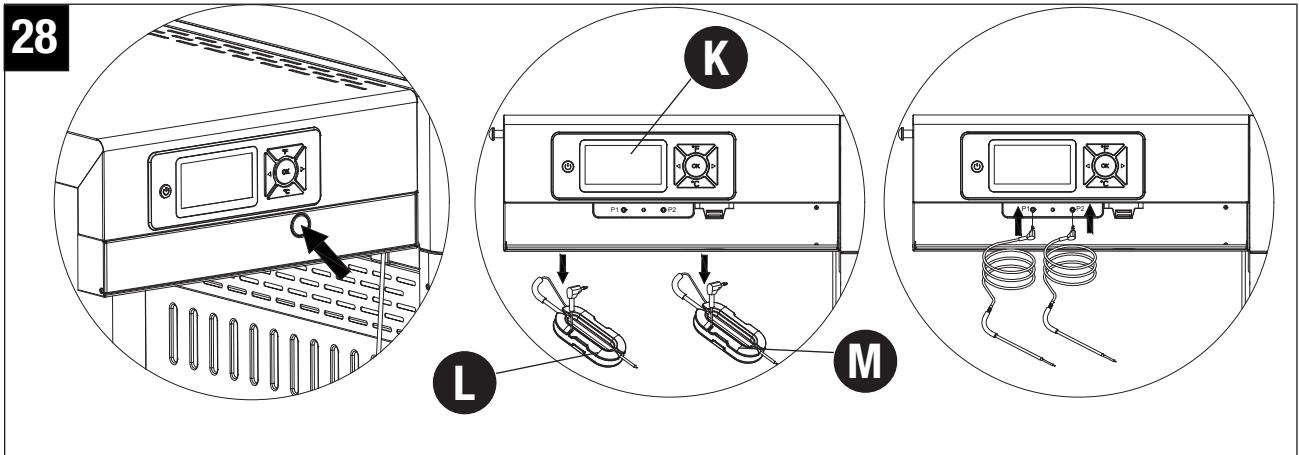
NOTE: Fasten those wires to the buckles shown in Fig.(27).



ASSEMBLY INSTRUCTIONS

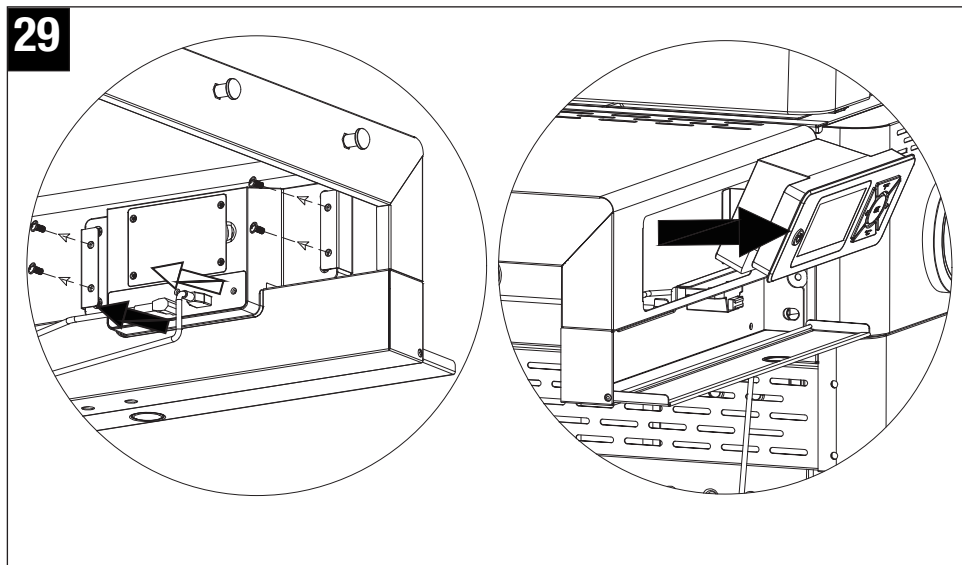
Step 28: Connect Food Probe A and Food Probe B

Press the button on the front box of the digital controller (K) in first and take out the food probe A (L) and food probe B (M). Then attach the probes onto the digital controller shown in Fig.28.

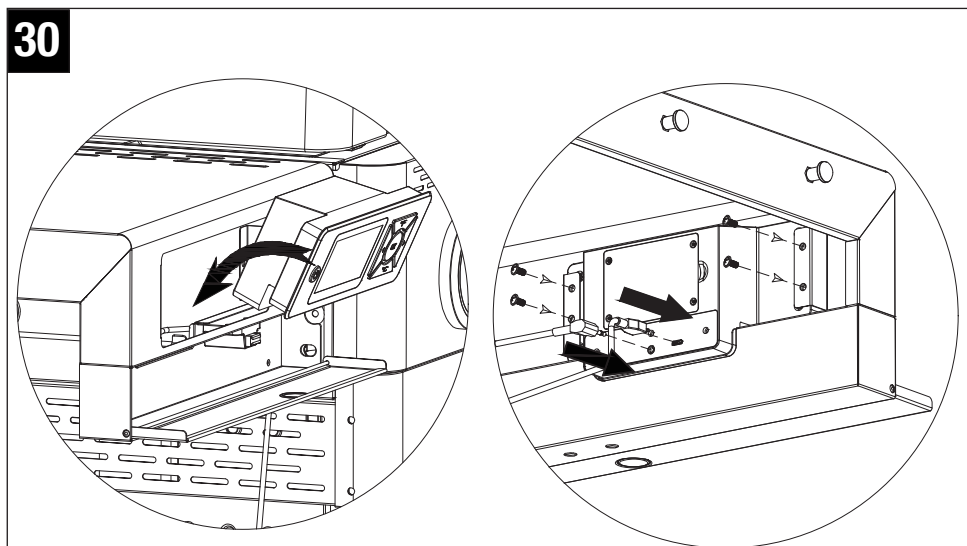


Step 29: How to Remove Digital Controller Shown in Fig.29

(Note: Remove three probes and USB connector first.)



Step 30: How to Attach Digital Controller Shown in Fig.30



INSTALLATION INSTRUCTIONS

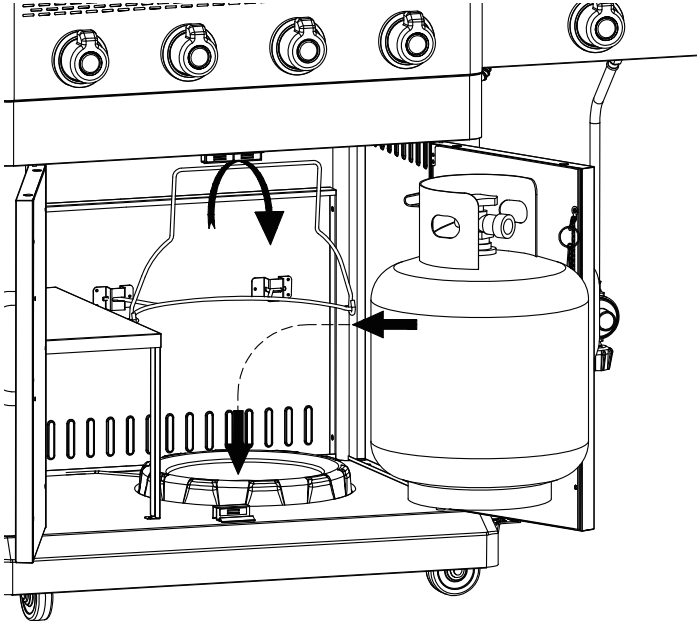
To operate, you will need one precision-filled standard grill LP gas tank with external valve threads.



	<h2>CAUTION</h2>	
<p>▲ LP gas tank must be properly disconnected and removed prior to moving this grill.</p>		

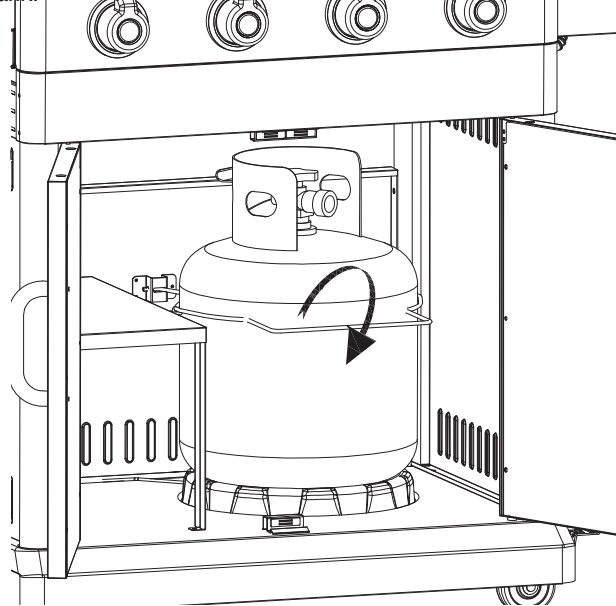
Inserting LP Gas Tank

Place precision-filled LP gas tank upright into the notches in the right cart frame so the tank valve is facing the gas line connection.



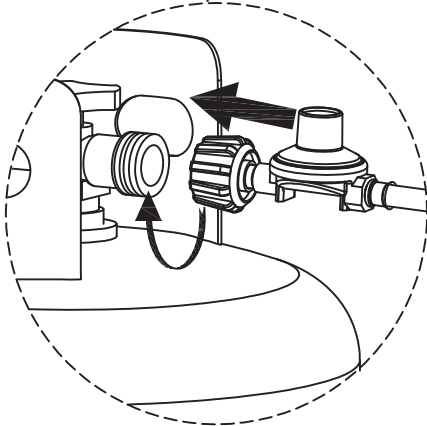
Securing LP Gas Tank

Secure tank by sliding the tank retainer wire over shoulder of LP gas tank.



Connecting LP Gas Tank

1. Before connecting, be sure there is no debris caught in the head of the LP gas tank, head of the regulator valve or in the head of the burner or burner ports.
2. Connect regulator/hose assembly to tank by turning knob clockwise until it stops.



Disconnecting LP Gas Tank

1. Before disconnecting, make sure the LP gas tank valve is "CLOSED."
 2. Disconnect regulator/hose assembly from LP gas tank by turning knob counterclockwise until it is loose.
- ▲ CAUTION: LP gas tank must be properly disconnected and removed prior to moving this grill.**
3. Place the protective cap cover on the LP tank and store the tank outdoors in a well ventilated area out of direct sunlight.

